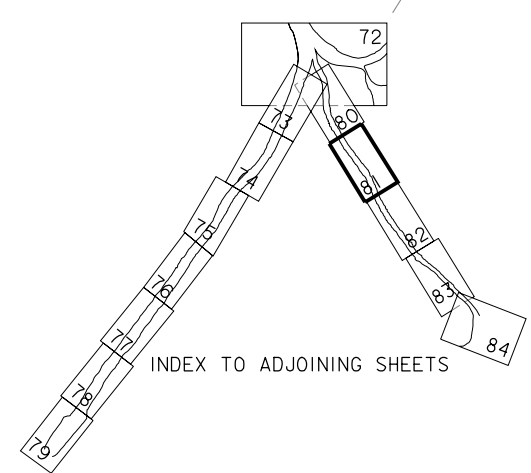
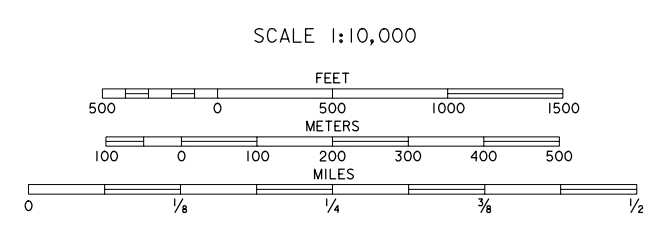


All elevations are expressed in feet and refer to North American Vertical Datum of 1988.  
 Contours below Low Water Reference Plane are expressed in feet at 5 and 10 ft. intervals.  
 Contours above Low Water Reference Plane are expressed in feet at 5 ft. intervals.  
 Planimetry from aerial photographs flown January 2002.  
 Distances on Mississippi River above Head of Passes are shown at 1 mile intervals, 1982 surveys.  
 Projection ..... Lambert Conformal Conic  
 Horizontal Datum ..... North American Datum 1983 (NAD 83)  
 Ellipsoid ..... GRS 80  
 L.W.R.P. - Low Water Reference Plane.



**MISSISSIPPI RIVER**  
**HYDROGRAPHIC SURVEY 2004**  
 BLACK HAWK, LA TO HEAD OF PASSES, LA  
 ALSO SOUTHWEST, SOUTH, PASS A LOU TRE, MAIN,  
 TIGER AND GRAND PASSES, BAPTISTE COLLETTE  
 AND MISSISSIPPI RIVER GULF OUTLET  
 IN 119 SHEETS  
 U.S. ARMY ENGINEER DISTRICT, NEW ORLEANS,  
 CORPS OF ENGINEERS