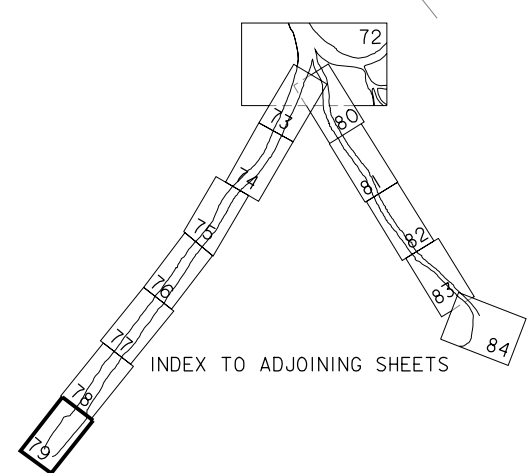
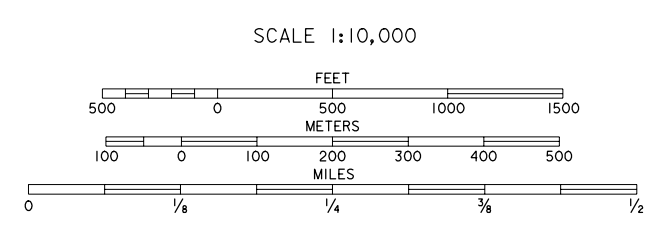


All elevations are expressed in feet and refer to North American Vertical Datum of 1988. Contours below Low Water Reference Plane are expressed in feet at 5 and 10 ft. intervals. Contours above Low Water Reference Plane are expressed in feet at 5 ft. intervals. Planimetry from aerial photographs from January, 2002. Distances on Mississippi River above Head of Passes are shown at 1 mile intervals, 1902 surveys. Projection Lambert Conformal Conic Horizontal Datum North American Datum 1983 (NAD 83) Ellipsoid GRS 80 L.W.R.P. - Low Water Reference Plane.



MISSISSIPPI RIVER
HYDROGRAPHIC SURVEY 2004
 BLACK HAWK, LA TO HEAD OF PASSES, LA
 ALSO SOUTHWEST, SOUTH, PASS A LOUÏRE, MAIN,
 TIGER AND GRAND PASSES, BAPTISTE COLLETTE
 AND MISSISSIPPI RIVER GULF OUTLET
 IN 119 SHEETS
 U.S. ARMY ENGINEER DISTRICT, NEW ORLEANS,
 CORPS OF ENGINEERS