

# PUBLIC NOTICE

28 June 2021

United States Army  
Corps of Engineers  
New Orleans District  
Regulatory Branch (ODR-E)  
7400 Leake Avenue  
New Orleans, Louisiana 70118

Permit Application Number:  
MVN-2021-00343-EG  
Project Manager:  
Angelle Greer  
(504) 862-2279  
[angelle.v.greer@usace.army.mil](mailto:angelle.v.greer@usace.army.mil)

Interested parties are hereby notified that a permit application has been received by the New Orleans District of the U.S. Army Corps of Engineers pursuant to: [X] Section 10 of the Rivers and Harbors Act of March 3, 1899 (30 Stat. 1151; 33 USC 403); and/or [ ] Section 404 of the Clean Water Act (86 Stat. 816; 33 USC 1344).

## **PILE CLUSTERS FOR BARGE MOORING IN JEFFERSON PARISH**

**NAME OF APPLICANT:** Crosby Dredging and Construction, c/o T. Baker Smith, LLC, Attn: Michael Trahan, P.O. Box 2266, Houma, LA 70361

**LOCATION OF WORK:** At approximately Latitude: 29.782769, Longitude: -90.062856, on Bayou Baratavia, approximately 1.6-miles northeast of Crown Point, in Jefferson Parish, Louisiana, as shown on the enclosed drawings.

Hydrologic Unit Code: 08090301 (Lower Mississippi- Central Louisiana Coastal)

**CHARACTER OF WORK:** Install and maintain twenty (20) pile clusters within Bayou Baratavia for barge mooring. All work will take place within open water using a tug and barge with an excavator/piledriver to complete the work. No impacts to jurisdictional wetlands are anticipated as a result of the project, therefore, no compensatory mitigation is proposed.

The comment period for the Department of the Army Permit will close **15 days** from the date of this public notice. Written comments, including suggestions for modifications or objections to the proposed work, stating reasons thereof, are being solicited from anyone having interest in this permit and must be mailed so as to be received before or by the last day of the comment period. Letters concerning the Corps of Engineers permit application must reference the applicant's name and the Permit Application Number, and be mailed to the Corps of Engineers at the address above,

**ATTENTION: REGULATORY BRANCH.**

Individuals or parties may request an extension of time in which to comment on the proposed work by writing or e-mailing the Corps of Engineers Project Manager listed above. Any request must be specific and substantively supportive of the requested extension, and received by this office prior to the end of the initial comment period. The Section Chief will review the request and the requestor will be promptly notified of the decision to grant or deny the request. If granted, the time extension will be continuous to the initial comment period and, inclusive of the initial comment period, will not exceed a total of 30 calendar days.

### **Corps of Engineers Permit Criteria**

The decision whether to issue a permit will be based on an evaluation of the probable impacts, including cumulative impacts of the proposed activity on the public interest. That decision will reflect the national concern for both protection and utilization of important resources. The benefit which reasonably may be expected to accrue from the proposal must be balanced against its reasonably foreseeable detriments. All factors which may be relevant to the proposal will be considered including the cumulative effects thereof; among those are conservation, economics, aesthetics, general environmental concerns, wetlands, historic properties, fish and wildlife values, flood hazards, floodplain values, land use, navigation, shoreline erosion and accretion, recreation, water supply and conservation, water quality, energy needs, safety, food and fiber production, mineral needs, considerations of property ownership and, in general, the needs and welfare of the people.

The U.S. Army Corps of Engineers is soliciting comments from the public, federal, state, and local agencies and officials, Indian Tribes, and other interested parties in order to consider and evaluate the impacts of this proposed activity. Any comments received will be considered by the U.S. Army Corps of Engineers to determine whether to make, modify, condition, or deny a permit for this proposal. To make this decision, comments are used to assess impacts on endangered species, historic properties, water quality, general environmental effects, and other public interest factors listed above. Comments are used in the preparation of an Environmental Assessment and/or an Environmental Impact Statement pursuant to the National Environmental Policy Act. Comments are also used to determine the need for a public hearing and to determine the overall public interest of the proposed activity.

The New Orleans District is unaware of any properties listed on the National Register of Historic Places near the proposed work. The possibility exists that the proposed work may damage or destroy presently unknown archeological, scientific, prehistorical, historical sites, or data. Issuance of this public notice solicits input from the State Archeologist and State Historic Preservation Officer regarding potential impacts to cultural resources.

The New Orleans District has determined that the project footprint is located in an area that may be known to be utilized by the West Indian Manatee and the Eastern Black Rail. It has been determined that the activity is not likely to adversely affect the West Indian Manatee or the Eastern

Black Rail based on the Information & Planning Consultation for Endangered Species in Louisiana (IPaC), dated January 27, 2020 between the U.S. Army Corps of Engineers, New Orleans and U.S. Fish and Wildlife Service, Ecological Services Office. "Standard Manatee Conditions for In-Water Activities" will be added to the permit authorization, if granted.

Our initial finding is that the proposed work is Not Likely to Adversely Affect any species listed as endangered by the U.S. Departments of Commerce, nor affect any habitat designated as critical to the survival and recovery of such species.

This notice initiates the Essential Fish Habitat (EFH) consultation requirements of the Magnuson-Stevens Fishery Conservation and Management Act. The applicant's proposal may result in the destruction or alteration of approximately 7.12-acre of EFH utilized by various life stages of red drum and penaeid shrimp. Our initial determination is that the proposed action would have no adverse impact on EFH or federally managed fisheries in the Gulf of Mexico. Our final determination relative to project impacts and the need for mitigation measures is subject to review by and coordination with the National Marine Fisheries Service.

If the proposed work involves deposits of dredged or fill material into navigable waters, the evaluation of the probable impacts will include the application of guidelines established by the Administrator of the Environmental Protection Agency. Also, a certification that the proposed activity will not violate applicable water quality standards will be required from the Department of Environmental Quality, Water Quality Certifications, before a permit is issued.

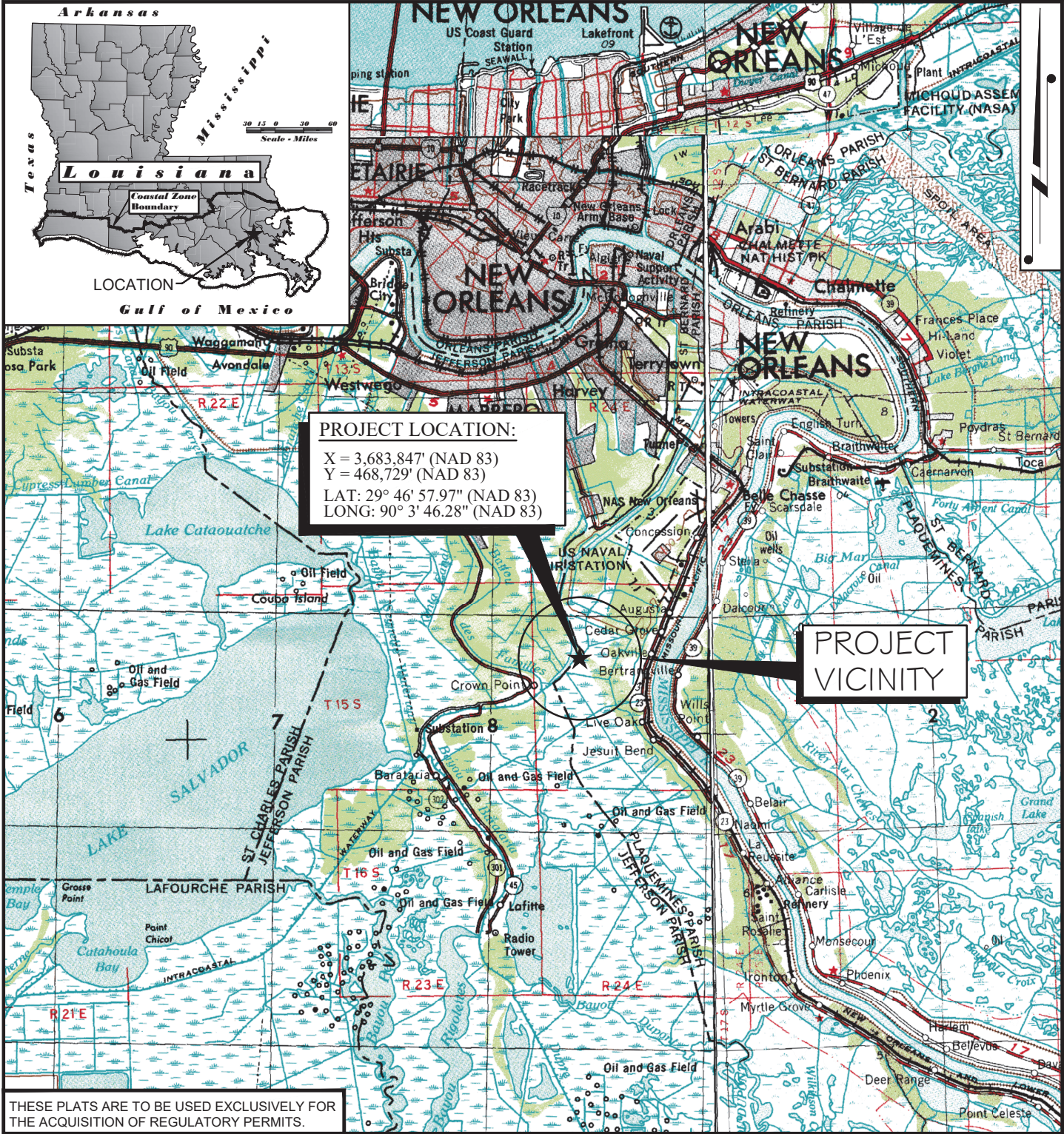
Any person may request, in writing, within the comment period specified in this notice, that a public hearing be held to consider this application. Requests for public hearings shall state, with particularity, the reasons for holding a public hearing.

The applicant has certified that the proposed activity described in the application complies with and will be conducted in a manner that is consistent with the Louisiana Coastal Resources Program. The Department of the Army permit will not be issued unless the applicant received approval or a waiver of the Coastal Use Permit by the Department of Natural Resources.

You are requested to communicate the information contained in this notice to any other parties whom you deem likely to have interest in the matter.

Michael V. Farabee  
Chief, Eastern Evaluation Section



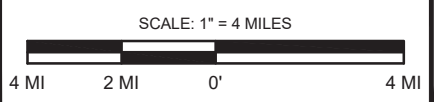


**PROJECT LOCATION:**  
 X = 3,683,847' (NAD 83)  
 Y = 468,729' (NAD 83)  
 LAT: 29° 46' 57.97" (NAD 83)  
 LONG: 90° 3' 46.28" (NAD 83)

**PROJECT VICINITY**

THESE PLATS ARE TO BE USED EXCLUSIVELY FOR THE ACQUISITION OF REGULATORY PERMITS.

DRAWN BY: SPM	APPROVED BY: MDT
DATE: 02/17/2021	JOB NO: 2020.1128
DRAWING NAME: 201128P- 1.DWG	
SHEET NO: 1	OF 4
PROJECTION: LOUISIANA SOUTH ZONE GEO. DATUM: NAD83   VERT. DATUM: NAVD88 GRID UNITS: US SURVEY FEET	



## VICINITY MAP

### CROSBY DREDGING & CONSTRUCTION

PROPOSED PILE CLUSTER INSTALLATION  
 FOR MOORING PURPOSES  
 LOCATED IN SECTION 42, T15S - R24E  
 JEFFERSON & PLAQUEMINES PARISH, LOUISIANA

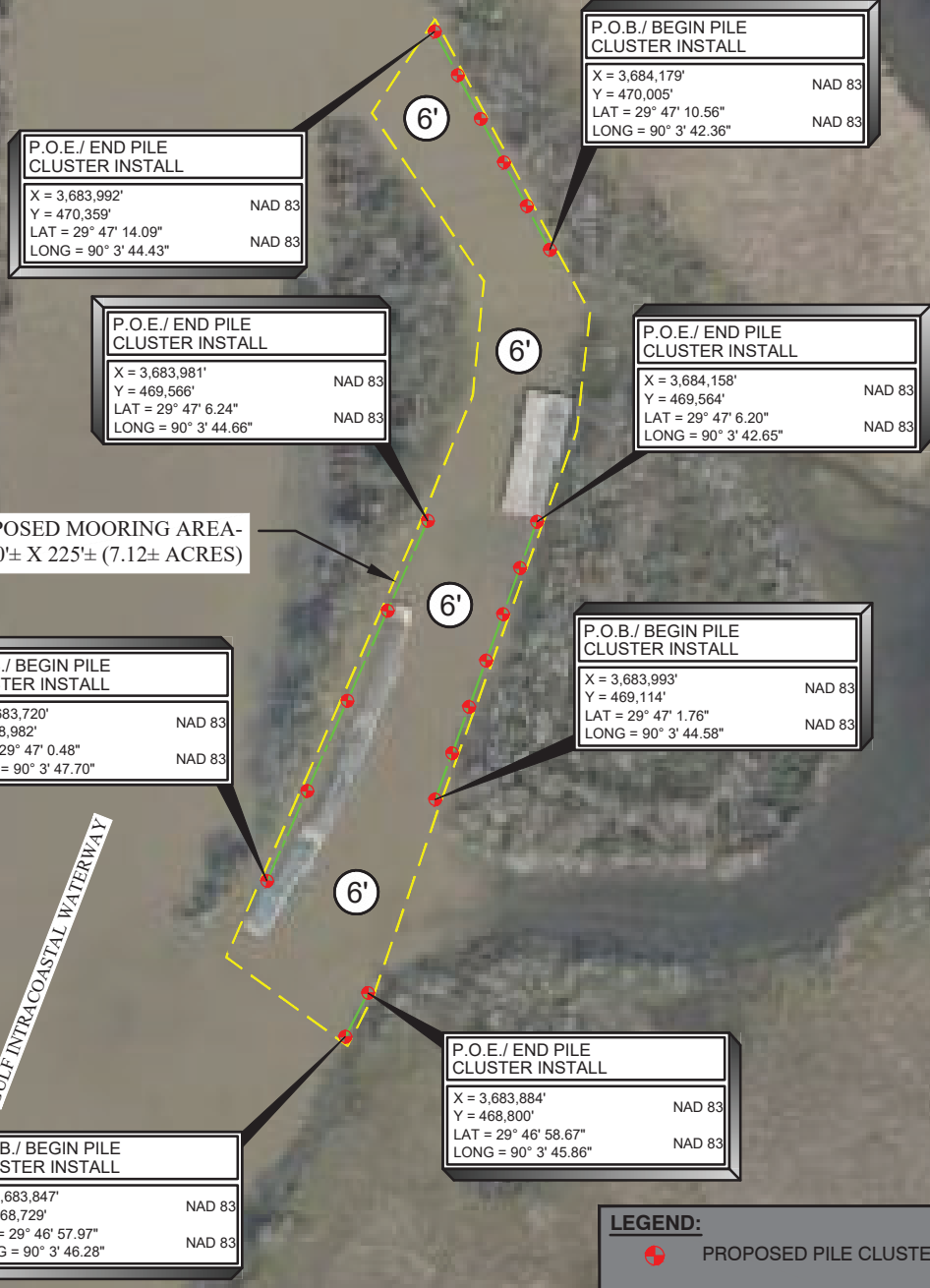


REV. NO: 00	REV. DATE: --/--	REV. BY: --
REVISION DESCRIPTION:		

2/17/2021 - P:\Y-2020\2020.1128\DWG\201128P- 1.DWG



MHW = +1.5'  
MLW = +0.5'



PROPOSED MOORING AREA-  
1,650± X 225± (7.12± ACRES)

GULF INTRACOASTAL WATERWAY

**P.O.B./ BEGIN PILE CLUSTER INSTALL**  
X = 3,683,720' NAD 83  
Y = 468,982' NAD 83  
LAT = 29° 47' 0.48" NAD 83  
LONG = 90° 3' 47.70" NAD 83

**P.O.B./ BEGIN PILE CLUSTER INSTALL**  
X = 3,683,847' NAD 83  
Y = 468,729' NAD 83  
LAT = 29° 46' 57.97" NAD 83  
LONG = 90° 3' 46.28" NAD 83

**P.O.E./ END PILE CLUSTER INSTALL**  
X = 3,683,992' NAD 83  
Y = 470,359' NAD 83  
LAT = 29° 47' 14.09" NAD 83  
LONG = 90° 3' 44.43" NAD 83

**P.O.E./ END PILE CLUSTER INSTALL**  
X = 3,683,981' NAD 83  
Y = 469,566' NAD 83  
LAT = 29° 47' 6.24" NAD 83  
LONG = 90° 3' 44.66" NAD 83

**P.O.E./ END PILE CLUSTER INSTALL**  
X = 3,683,884' NAD 83  
Y = 468,800' NAD 83  
LAT = 29° 46' 58.67" NAD 83  
LONG = 90° 3' 45.86" NAD 83

**P.O.B./ BEGIN PILE CLUSTER INSTALL**  
X = 3,684,179' NAD 83  
Y = 470,005' NAD 83  
LAT = 29° 47' 10.56" NAD 83  
LONG = 90° 3' 42.36" NAD 83

**P.O.E./ END PILE CLUSTER INSTALL**  
X = 3,684,158' NAD 83  
Y = 469,564' NAD 83  
LAT = 29° 47' 6.20" NAD 83  
LONG = 90° 3' 42.65" NAD 83

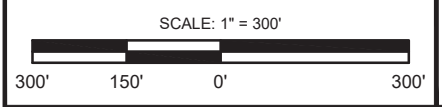
**P.O.B./ BEGIN PILE CLUSTER INSTALL**  
X = 3,683,993' NAD 83  
Y = 469,114' NAD 83  
LAT = 29° 47' 1.76" NAD 83  
LONG = 90° 3' 44.58" NAD 83

**LEGEND:**

- PROPOSED PILE CLUSTER LOCATION (20)
- PILE CLUSTER C/L
- DENOTES APPROXIMATE WATER DEPTH

THESE PLATS ARE TO BE USED EXCLUSIVELY FOR THE ACQUISITION OF REGULATORY PERMITS.

DRAWN BY: SPM	APPROVED BY: MDT
DATE: 02/17/2021	JOB NO: 2020.1128
DRAWING NAME: 201128P-2_REV.DWG	
SHEET NO: 2 OF 4	
PROJECTION: LOUISIANA SOUTH ZONE GEO. DATUM: NAD83   VERT. DATUM: NAVD88 GRID UNITS: US SURVEY FEET	



## PLAN VIEW

# CROSBY DREDGING & CONSTRUCTION

PROPOSED PILE CLUSTER INSTALLATION  
FOR MOORING PURPOSES  
LOCATED IN SECTION 42, T15S - R24E  
JEFFERSON & PLAQUEMINES PARISH, LOUISIANA



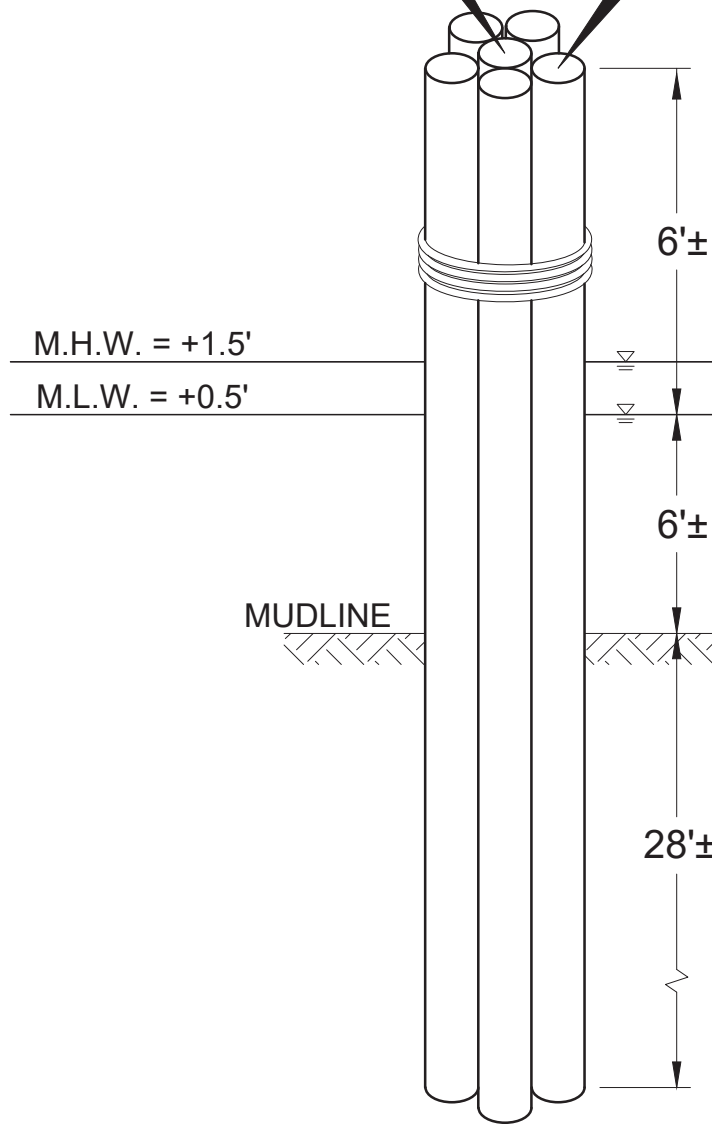
REV. NO: 01	REV. DATE: 03/11/2021	REV. BY: SPM
REVISION DESCRIPTION: ADDED PROPOSED MOORING AREA.		

3/11/2021 - P:\Y-2020\2020.1128\DWG\201128P-2\_REV.DWG

MHW = +1.5'  
MLW = +0.5'

TYPICAL 12" STEEL PILING (1)

TYPICAL 14" WOODEN PILING (5)



TYPICAL 6-PILE CLUSTER

THESE PLATS ARE TO BE USED EXCLUSIVELY FOR THE ACQUISITION OF REGULATORY PERMITS.

DRAWN BY: SPM	APPROVED BY: MDT
DATE: 01/12/2021	JOB NO: 2020.1128
DRAWING NAME: 201128P- 2.DWG	
SHEET NO: 3 OF 4	
PROJECTION: LOUISIANA SOUTH ZONE GEO. DATUM: NAD83   VERT. DATUM: NAVD88 GRID UNITS: US SURVEY FEET	

DETAIL

CROSBY DREDGING & CONSTRUCTION

PROPOSED PILE CLUSTER INSTALLATION  
FOR MOORING PURPOSES  
LOCATED IN SECTION 42, T15S - R24E  
JEFFERSON & PLAQUEMINES PARISH, LOUISIANA

NOT TO SCALE



REV. NO: 00 REV. DATE: --/-- REV. BY: --

REVISION DESCRIPTION: --

**NOTES:**

AS-BUILT DRAWINGS AND/OR PLATS SHALL HAVE WRITTEN ON THEM THE DATE OF COMPLETION OF SAID ACTIVITIES AND SHALL BE SUBMITTED TO THE LOUISIANA DEPARTMENT OF NATURAL RESOURCES, OFFICE OF COASTAL MANAGEMENT, P.O. BOX 44487, BATON ROUGE, LA 70804-4487 WITHIN 30 DAYS FOLLOWING PROJECT COMPLETION.

ALL STRUCTURES BUILT UNDER THE AUTHORIZATION AND CONDITIONS OF THIS PERMIT SHALL BE REMOVED FROM THE SITE WITHIN 120 DAYS OF ABANDONMENT OF THE FACILITIES FOR THE HEREIN PERMITTED USE, OR WHEN THESE STRUCTURES FALL INTO A STATE OF DISREPAIR SUCH THAT THEY CAN NO LONGER FUNCTION AS INTENDED. THIS CONDITION DOES NOT PRECLUDE THE NECESSITY FOR REVISING THE CURRENT PERMIT OR OBTAINING A SEPARATE COASTAL USE PERMIT, SHOULD ONE BE REQUIRED, FOR SUCH REMOVAL ACTIVITIES.

STRUCTURES MUST ALSO BE MARKED/LIGHTED IN ACCORDANCE WITH U.S. COAST GUARD REGULATIONS.

IN ORDER TO ENSURE THE SAFETY OF ALL PARTIES, THE PERMITEE SHALL CONTACT THE LOUISIANA ONE CALL SYSTEM (1-800-272-3020) A MINIMUM OF 48 HOURS PRIOR TO THE COMMENCEMENT OF ANY EXCAVATION (DIGGING, DREDGING, JETTING, ETC.) OR DEMOLITION ACTIVITY.

LIMITED SURVEY DATA WAS COLLECTED IN THE PREPARATION OF THESE PLANS. INFORMATION USED TO PREPARE THESE PLANS WAS GATHERED FROM THE FOLLOWING SOURCES, EXISTING SURVEY/DATABASE DATA, CLIENT INFORMATION, INTERNET OR GOVERNMENT WEB SITE DATA.

**TOTAL IMPACTS**

<u>EXCAVATIONS</u>	
NON-VEGETATED	0 CU. YDS.
WATER BOTTOMS:	0.00 ACS.
WETLANDS:	0 CU. YDS.
	0.00 ACS.
<u>FILL AREAS</u>	
NON-VEGETATED	0 CU. YDS.
WATER BOTTOMS:	0.00 ACS.
WETLANDS:	0 CU. YDS.
	0.00 ACS.
<u>FILL MATERIALS</u>	
NATIVE MATERIAL:	0 CU. YDS.

**EQUIPMENT**

Barge (120'± x 30'±)- Draft 4'  
  
Tug- Draft 5'  
  
Excavator / Piledriver

THESE PLATS ARE TO BE USED EXCLUSIVELY FOR THE ACQUISITION OF REGULATORY PERMITS.

DRAWN BY: SPM	APPROVED BY: MDT
DATE: 01/12/2021	JOB NO: 2020.1128
DRAWING NAME: 201128P- 2_REV.DWG	
SHEET NO: 4 OF 4	
PROJECTION: LOUISIANA SOUTH ZONE GEO. DATUM: NAD83   VERT. DATUM: NAVD88 GRID UNITS: US SURVEY FEET	

**NOTES**

**CROSBY DREDGING & CONSTRUCTION**

PROPOSED PILE CLUSTER INSTALLATION  
FOR MOORING PURPOSES  
LOCATED IN SECTION 42, T15S - R24E  
JEFFERSON & PLAQUEMINES PARISH, LOUISIANA

NOT TO SCALE



REV. NO: 00	REV. DATE: --/--/--	REV. BY: --
REVISION DESCRIPTION: --		