

JOINT PUBLIC NOTICE

November 18, 2013

United States Army
Corps of Engineers
New Orleans District
Regulatory Branch
Post Office Box 60267
New Orleans, La. 70160-0267

State of Louisiana
Department of Environmental Quality
Post Office Box 4313
Baton Rouge, La. 70821-4313
Attn: Water Quality Certifications

(504) 862-2548/ FAX (504) 862-2574
Project Manager
Johnny Duplantis
Permit Application Number
MVN-2013-02121-WPP

(225) 219-3225/FAX (225) 325-8250
Project Manager
Jamie Phillippe
WQC Application Number
WQC # 131114-01

Interested parties are hereby notified that a permit application has been received by the New Orleans District of the U.S. Army Corps of Engineers pursuant to: [] Section 10 of the Rivers and Harbors Act of March 3, 1899 (30 Stat. 1151; 33 USC 403); and/or [X] Section 404 of the Clean Water Act (86 Stat. 816; 33 USC 1344).

Application has also been made to the Louisiana Department of Environmental Quality, for a Water Quality Certification (WQC) in accordance with statutory authority contained in Louisiana Revised Statutes of 1950, Title 30, Chapter 11, Part IV, Section 2074 A(3) and provisions of Section 401 of the Clean Water Act (P.L.95-17).

CARENCRO BAYOU FRESHWATER ENHANCEMENT PROJECT IN TERREBONNE PARISH

NAME OF APPLICANT: Louisiana Land & Exploration Company, LLC., 806 Bayou Black Road, Houma, Louisiana, 70360.

DESCRIPTION: Proposed project is intended to improve freshwater flow from Bayou Penchant to the Carencro Bayou marsh complex by; removing a channel plug, modifying an existing bulkhead and constructing a new water control structure. The proposed project is located in the northern Penchant Sub-basin, an area that supports approximately 166,000 acres of fresh and brackish marsh. The northern areas are stressed from high water levels and poor distribution of freshwater while the southern areas are stressed from a lack of freshwater inflows and resulting higher salinity levels. The proposed project would allow increased freshwater flows to move south, incrementally improving both areas to the north and south. The project is expected to have a direct impact to 0.13 acre of wetland resources. The proposal would be considered self-mitigating due to the expected benefits of improving freshwater flow to the area.

LOCATION: Located in and around Bayou Carencro at Latitude 29.42308, Longitude - 91.04592, approximately 14 miles south of Houma, Louisiana, in Terrebonne Parish. The Project is located within the Terrebonne/Barataria Bay Watershed, Hydrologic Unit 0890302.

The comment period for the Department of the Army Permit and the Louisiana Department of Environmental Quality WQC will close **20 days** from the date of this joint public notice. Written comments, including suggestions for modifications or objections to the proposed work, stating reasons thereof, are being solicited from anyone having interest in this permit and/or this WQC request and must be mailed so as to be received before or by the last day of the comment

period. Letters concerning the Corps of Engineers permit application must reference the applicant's name and the Permit Application Number, and be mailed to the Corps of Engineers at the address above, **ATTENTION: REGULATORY BRANCH**. Similar letters concerning the Water Quality Certification must reference the applicant's name and the WQC Application number and be mailed to the Louisiana Department of Environmental Quality at the address above.

The application for this proposed project is on file with the Louisiana Department of Environmental Quality and may be examined during weekdays between 8:00 a.m. and 5:00 p.m. Copies may be obtained upon payment of costs of reproduction.

Corps of Engineers Permit Criteria

The decision whether to issue a permit will be based on an evaluation of the probable impacts, including cumulative impacts of the proposed activity on the public interest. That decision will reflect the national concern for both protection and utilization of important resources. The benefit which reasonably may be expected to accrue from the proposal must be balanced against its reasonably foreseeable detriments. All factors which may be relevant to the proposal will be considered including the cumulative effects thereof; among those are conservation, economics, aesthetics, general environmental concerns, wetlands, historic properties, fish and wildlife values, flood hazards, floodplain values, land use, navigation, shoreline erosion and accretion, recreation, water supply and conservation, water quality, energy needs, safety, food and fiber production, mineral needs, considerations of property ownership and, in general, the needs and welfare of the people.

The U.S. Army Corps of Engineers is soliciting comments from the public, federal, state, and local agencies and officials, Indian Tribes, and other interested parties in order to consider and evaluate the impacts of this proposed activity. Any comments received will be considered by the U.S. Army Corps of Engineers to determine whether to make, modify, condition, or deny a permit for this proposal. To make this decision, comments are used to assess impacts on endangered species, historic properties, water quality, general environmental effects, and other public interest factors listed above. Comments are used in the preparation of an Environmental Assessment and/or an Environmental Impact Statement pursuant to the National Environmental Policy Act. Comments are also used to determine the need for a public hearing and to determine the overall public interest of the proposed activity.

No properties listed on the National Register of Historic Places are near the proposed work. The possibility exists that the proposed work may damage or destroy presently unknown archeological, scientific, prehistorical, historical sites, or data. Copies of this notice are being sent to the State Archeologist and the State Historic Preservation Officer.

Our initial finding is that the proposed work would neither affect any species listed as endangered by the U.S. Departments of Interior or Commerce, nor affect any habitat designated as critical to the survival and recovery of any endangered species.

This notice initiates the Essential Fish Habitat (EFH) consultation requirements of the Magnuson-Stevens Fishery Conservation and Management Act. The applicant's proposal would result in the destruction or alteration of 0.0 acre(s) of EFH utilized by various life stages of red drum and penaeid shrimp. Our initial determination is that the proposed action would not have a substantial adverse impact on EFH or federally managed fisheries in the Gulf of Mexico. Our final determination relative to project impacts and the need for mitigation measures is subject to

review by and coordination with the National Marine Fisheries Service.

If the proposed work involves deposits of dredged or fill material into navigable waters, the evaluation of the probable impacts will include the application of guidelines established by the Administrator of the Environmental Protection Agency. Also, a certification that the proposed activity will not violate applicable water quality standards will be required from the Department of Environmental Quality, before a permit is issued.

Any person may request, in writing, within the comment period specified in this notice, that a public hearing be held to consider this application. Requests for public hearings shall state, with particularity, the reasons for holding a public hearing.

You are requested to communicate the information contained in this notice to any other parties whom you deem likely to have interest in the matter.

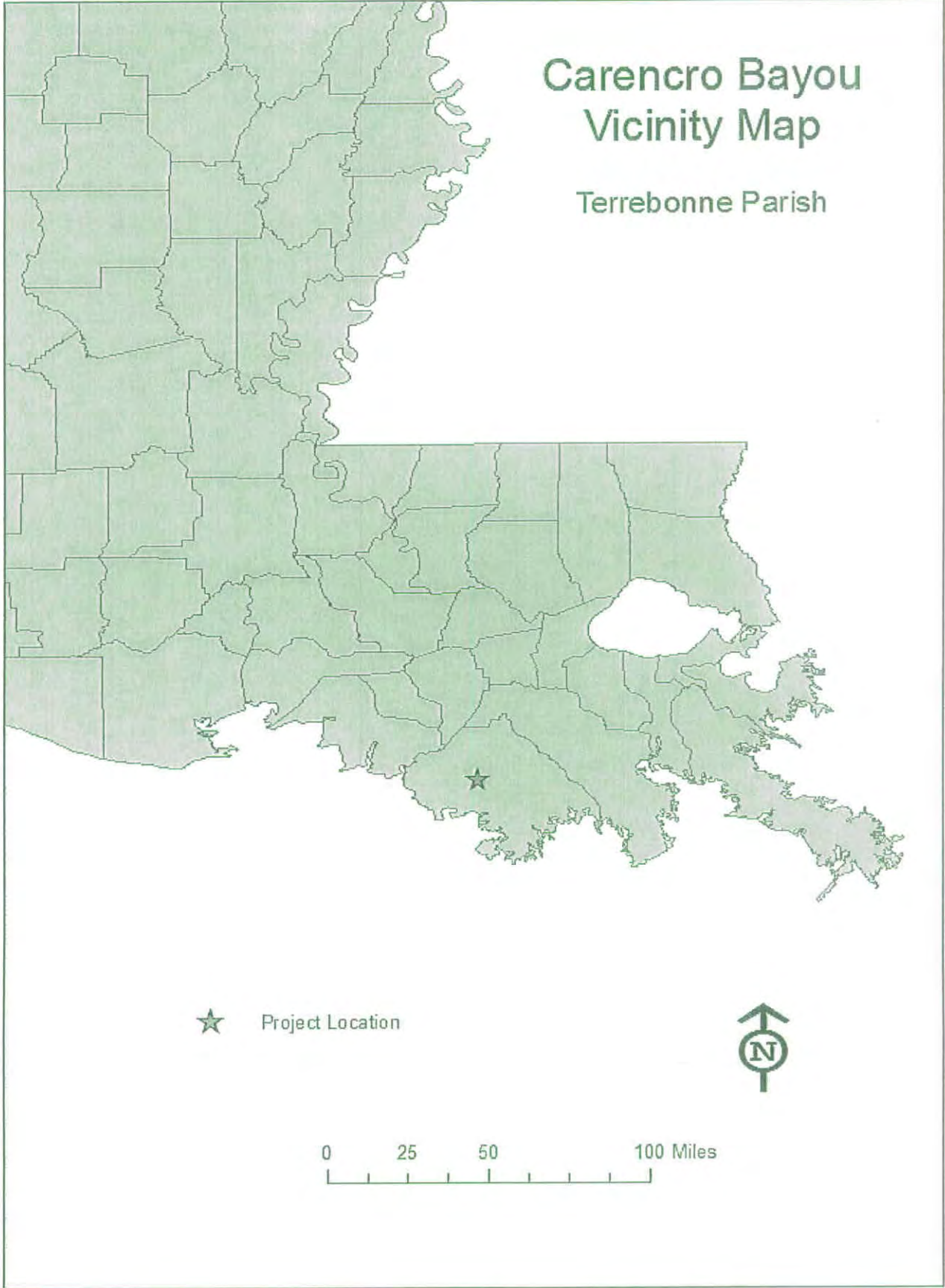
The applicant has certified that the proposed activity described in the application complies with and will be conducted in a manner that is consistent with the Louisiana Coastal Resources Program. The Department of the Army permit will not be issued unless the applicant received approval or a waiver of the Coastal Use Permit by the Department of Natural Resources.

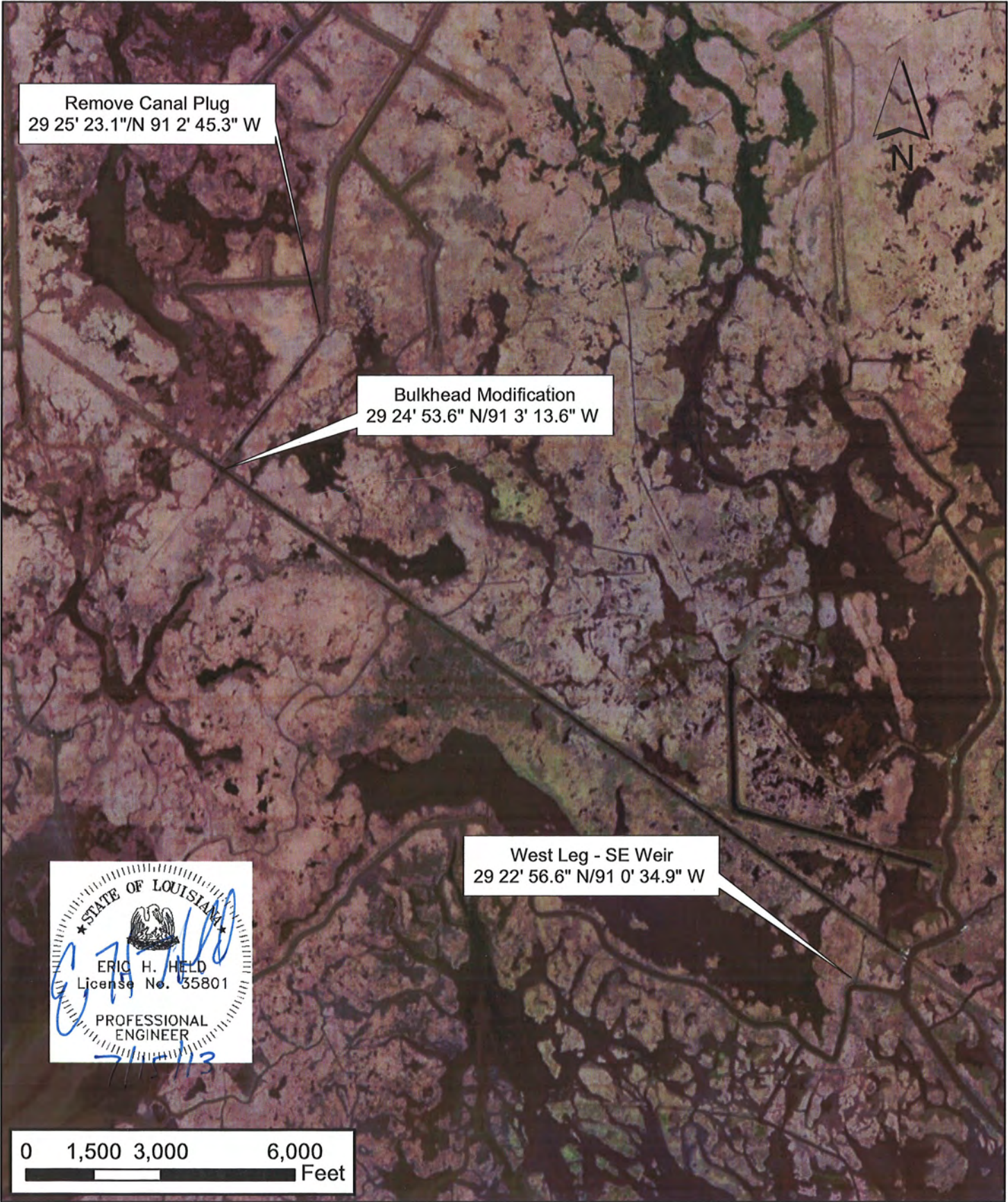
Darrell S. Barbara
Chief, Western Evaluation Section
Regulatory Branch

Attachments

Carencro Bayou Vicinity Map

Terrebonne Parish





Remove Canal Plug
29 25' 23.1"/N 91 2' 45.3" W

Bulkhead Modification
29 24' 53.6" N/91 3' 13.6" W

West Leg - SE Weir
29 22' 56.6" N/91 0' 34.9" W

STATE OF LOUISIANA
★ ★
ERIC H. HELD
License No. 35801
PROFESSIONAL
ENGINEER
7/15/13

0 1,500 3,000 6,000
Feet

Carencro Bayou Freshwater Introduction West Leg - Vicinity Map Terrebonne Parish, LA

Drawn By: EHH
Surveyed By: FZB
Date: 15 JUL 2013



Ducks Unlimited, Inc. - Southern Regional Office
193 Business Park Dr, Ste E, Ridgeland, MS 39157

EXISTING SPOIL BANK

EXISTING CANAL

EXISTING SPOIL BANK

FLOW

FLOW DIRECTION

EXISTING LOCATION CANAL

EXISTING SPOIL BANK

MARSH

~LL&E~

TRANSCO PIPELINES (APPROX. LOCATION)

MARSH

REMOVE EXISTING CANAL PLUG
(CUP-P19880338, P28-5)

~LL&E~

~LL&E~

EXISTING SPOIL BANK

PROPOSED FLOW DIRECTION

EXISTING SPOIL BANK

MARSH



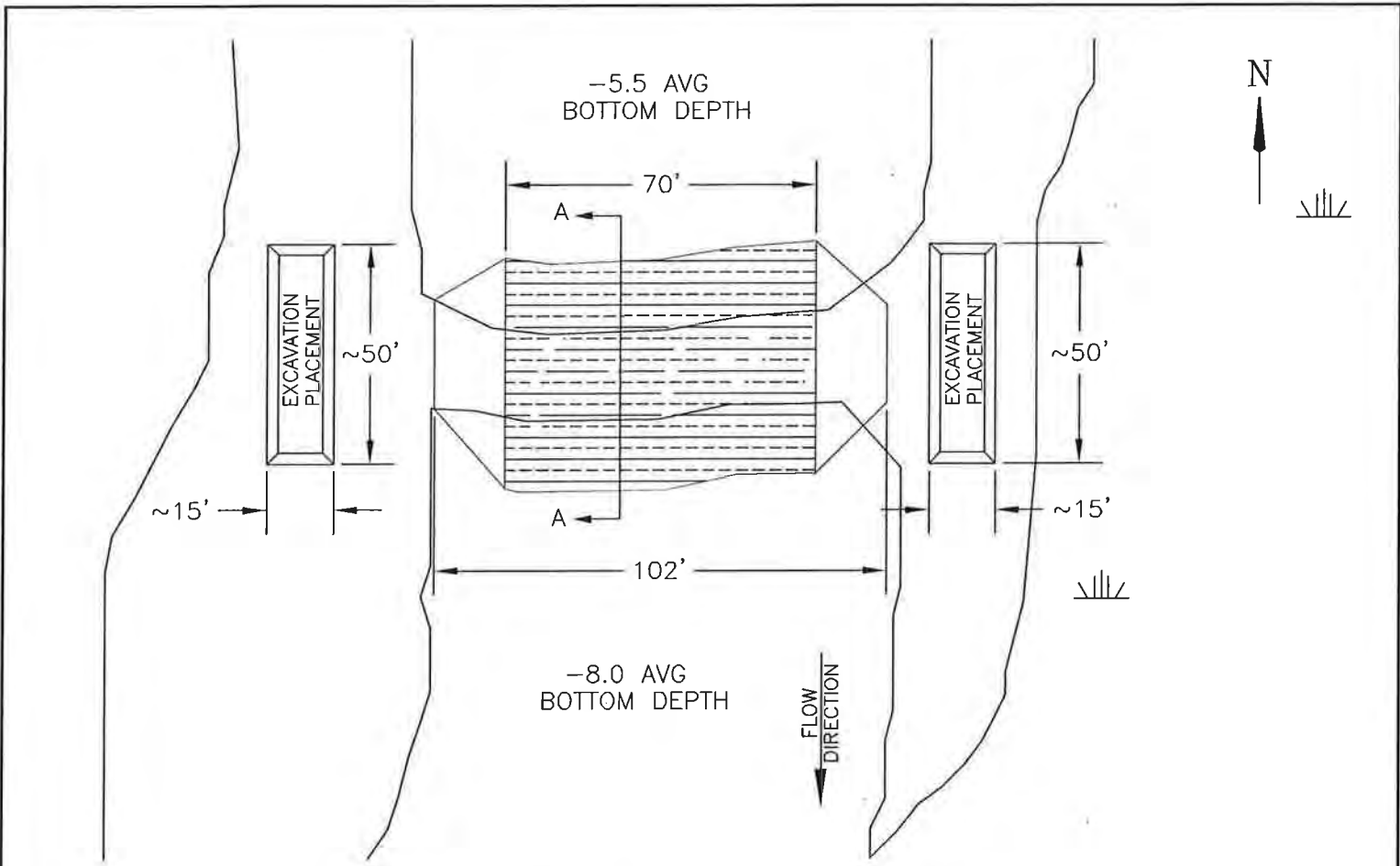
N

1"=200'

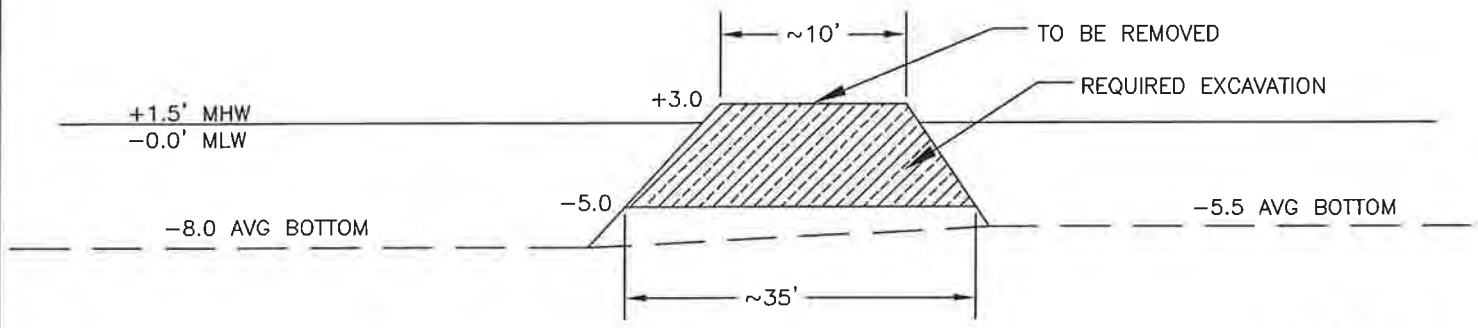
DUCKS UNLIMITED INC. 

SOUTHERN REGIONAL OFFICE
193 Business Park Drive; Suite E
Ridgeland, MS 39157
Certificate Of Authorization No. C-2260

PROJECT NO. DU-LA-159-2
**CARENCRO BAYOU
 FRESHWATER INTRODUCTION
 WEST LEG - NORTH PLUG**



PLAN VIEW CANAL PLUG REMOVAL
1"=40'



(A) TYPICAL SECTION OF CANAL PLUG REMOVAL
NOT TO SCALE

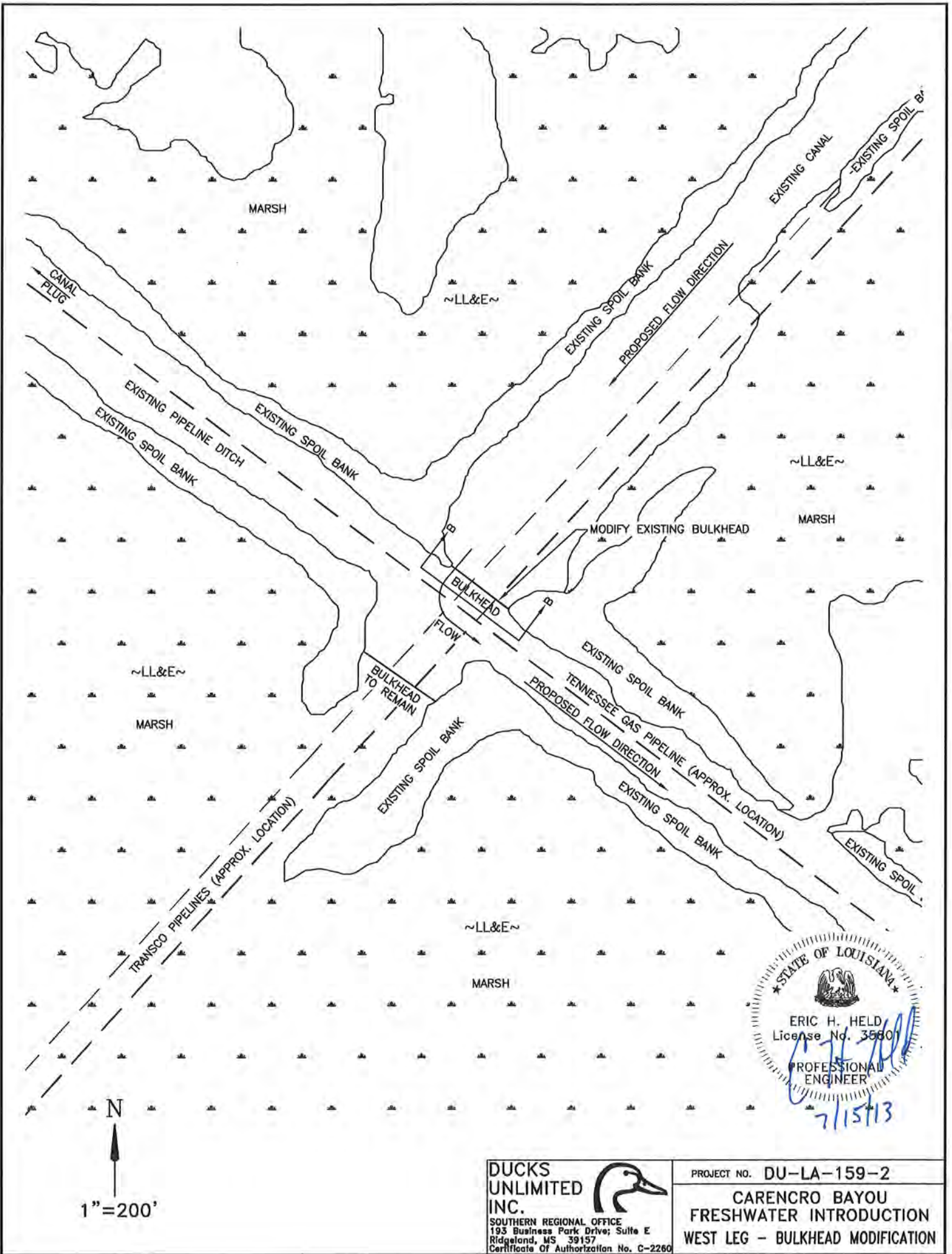
ESTIMATED EXCAVATION = 100 CY
AREA <= 0.1 AC

WORK WILL BE PERFORMED FROM BARGE

STATE OF LOUISIANA
ERIC H. HEID
License No. 35801
PROFESSIONAL ENGINEER
8/16/2013

DUCKS UNLIMITED INC.
SOUTHERN REGIONAL OFFICE
193 Business Park Drive, Suite E
Ridgeland, MS 39157
Certificate Of Authorization No. C-2260

PROJECT NO. DU-LA-159-2
CARENCRO BAYOU
FRESHWATER INTRODUCTION
WEST LEG - NORTH PLUG DETAILS

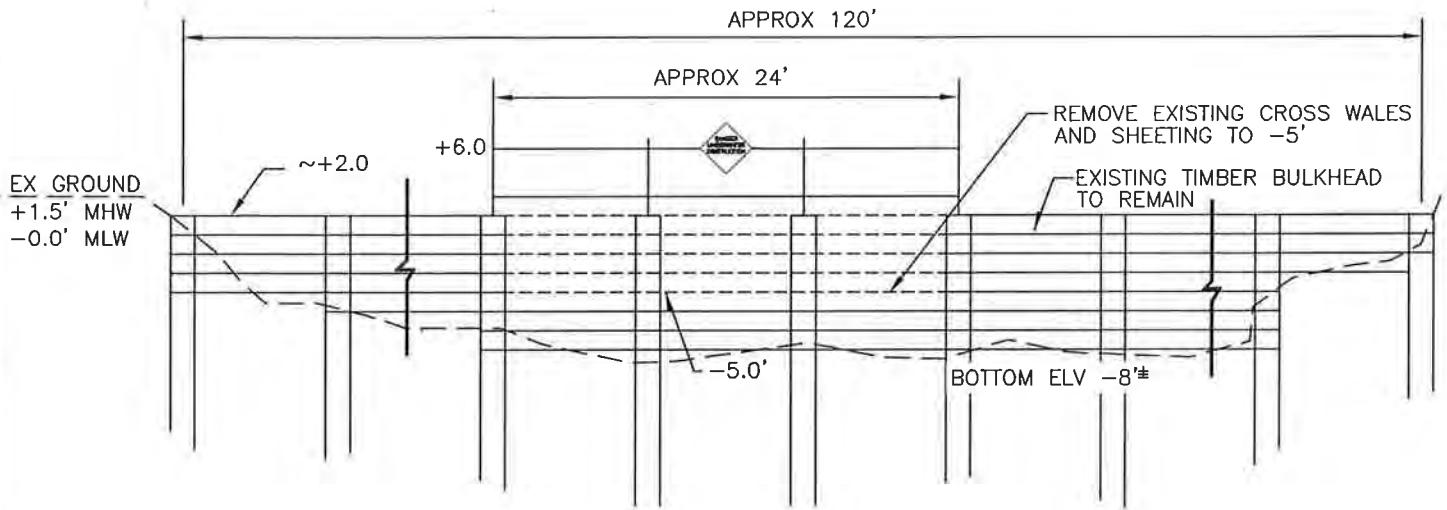


N
1"=200'

STATE OF LOUISIANA
 ERIC H. HELD
 License No. 38801
 PROFESSIONAL ENGINEER
 7/15/13

DUCKS UNLIMITED INC.
 SOUTHERN REGIONAL OFFICE
 193 Business Park Drive; Suite E
 Ridgeland, MS 39157
 Certificate Of Authorization No. C-2260

PROJECT NO. DU-LA-159-2
**CARENCRO BAYOU
 FRESHWATER INTRODUCTION
 WEST LEG - BULKHEAD MODIFICATION**



B
 TYPICAL SECTION OF BULKHEAD MODIFICATION
 NOT TO SCALE

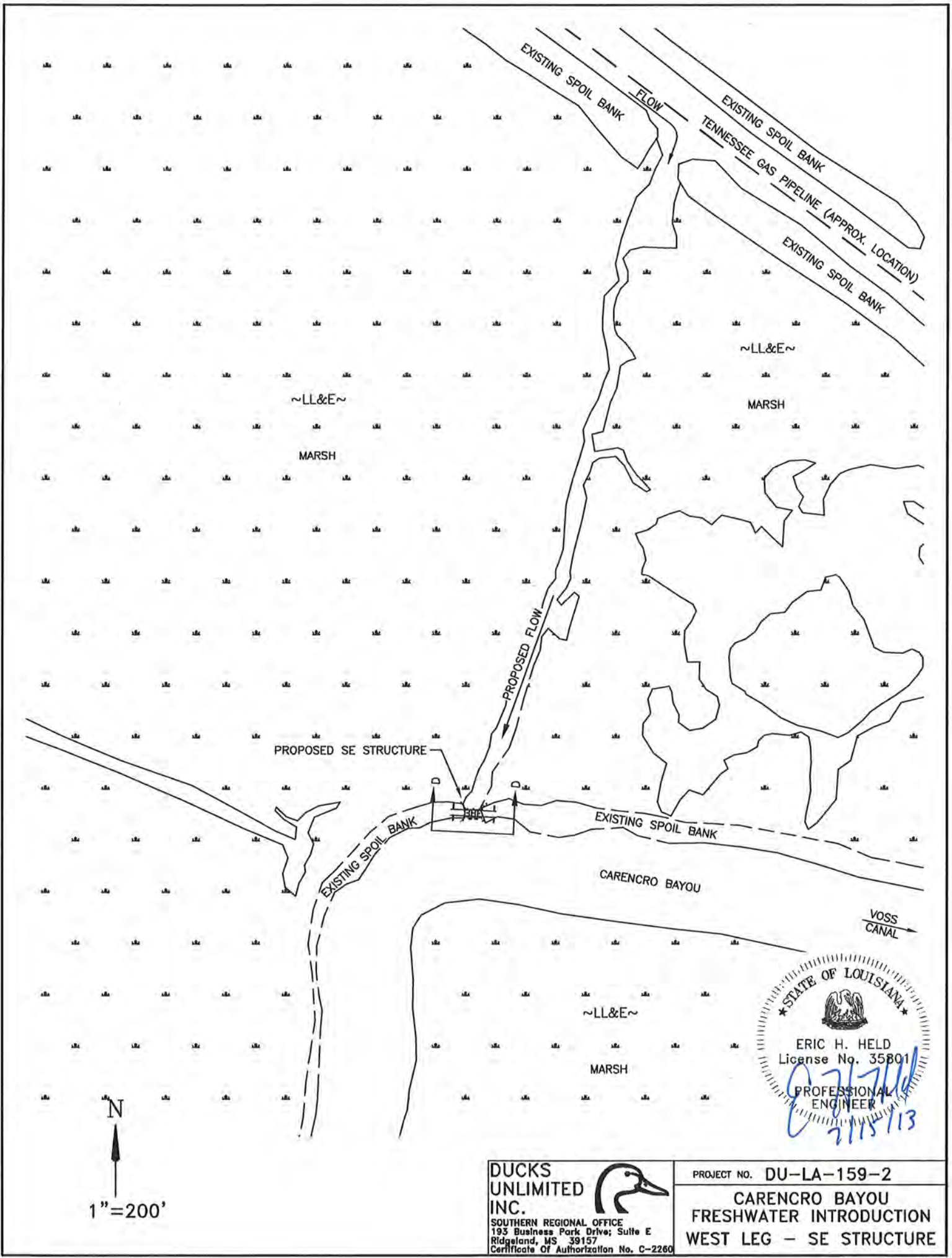
STATE OF LOUISIANA
 *

 ERIC H. HELD
 License No. 35801
 PROFESSIONAL ENGINEER
 8/16/2013

DUCKS UNLIMITED INC.
 SOUTHERN REGIONAL OFFICE
 193 Business Park Drive, Suite E
 Ridgeland, MS 39157
 Certificate Of Authorization No. C-2260



PROJECT NO. DU-LA-159-2
**CARENCRO BAYOU
 FRESHWATER INTRODUCTION
 BULKHEAD MODIFICATION DETAILS**

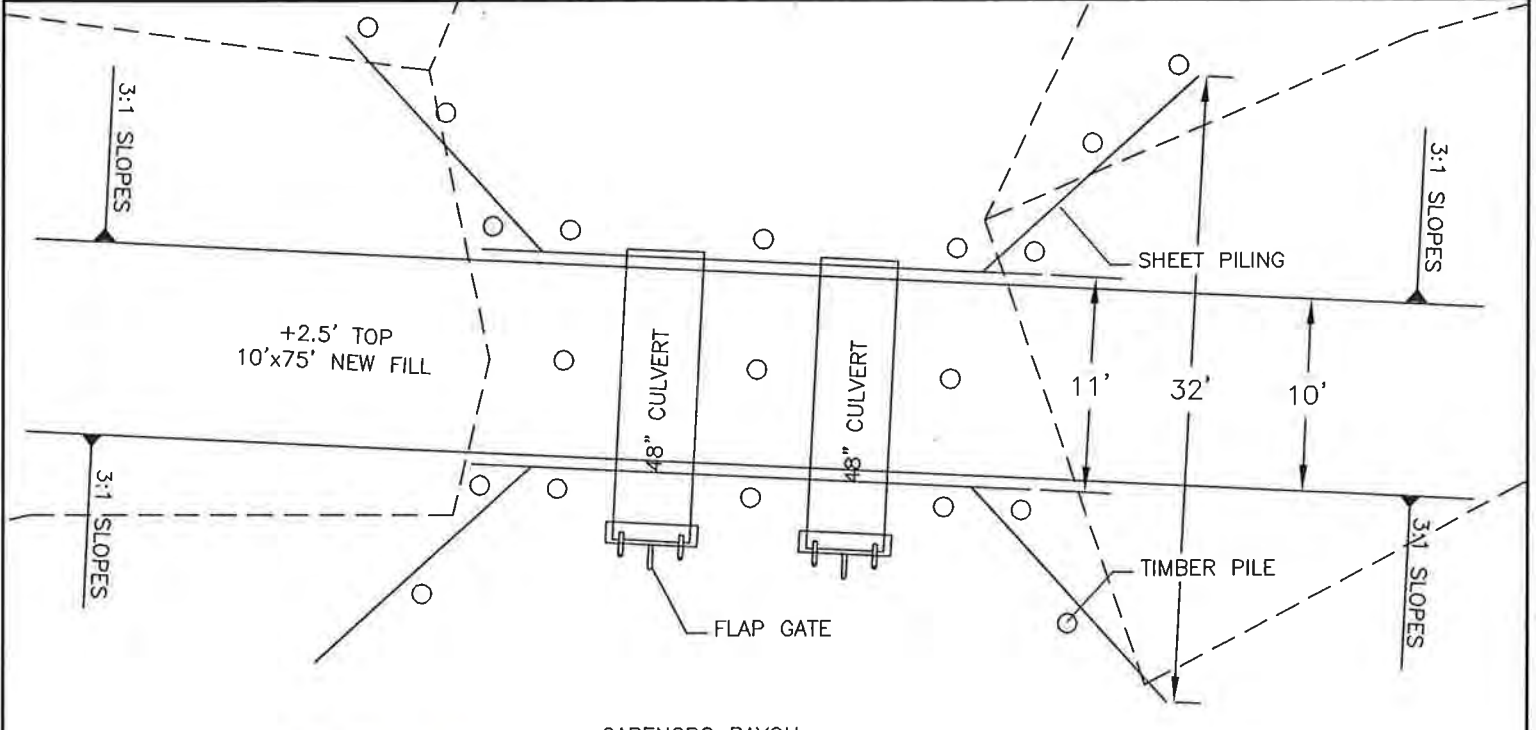
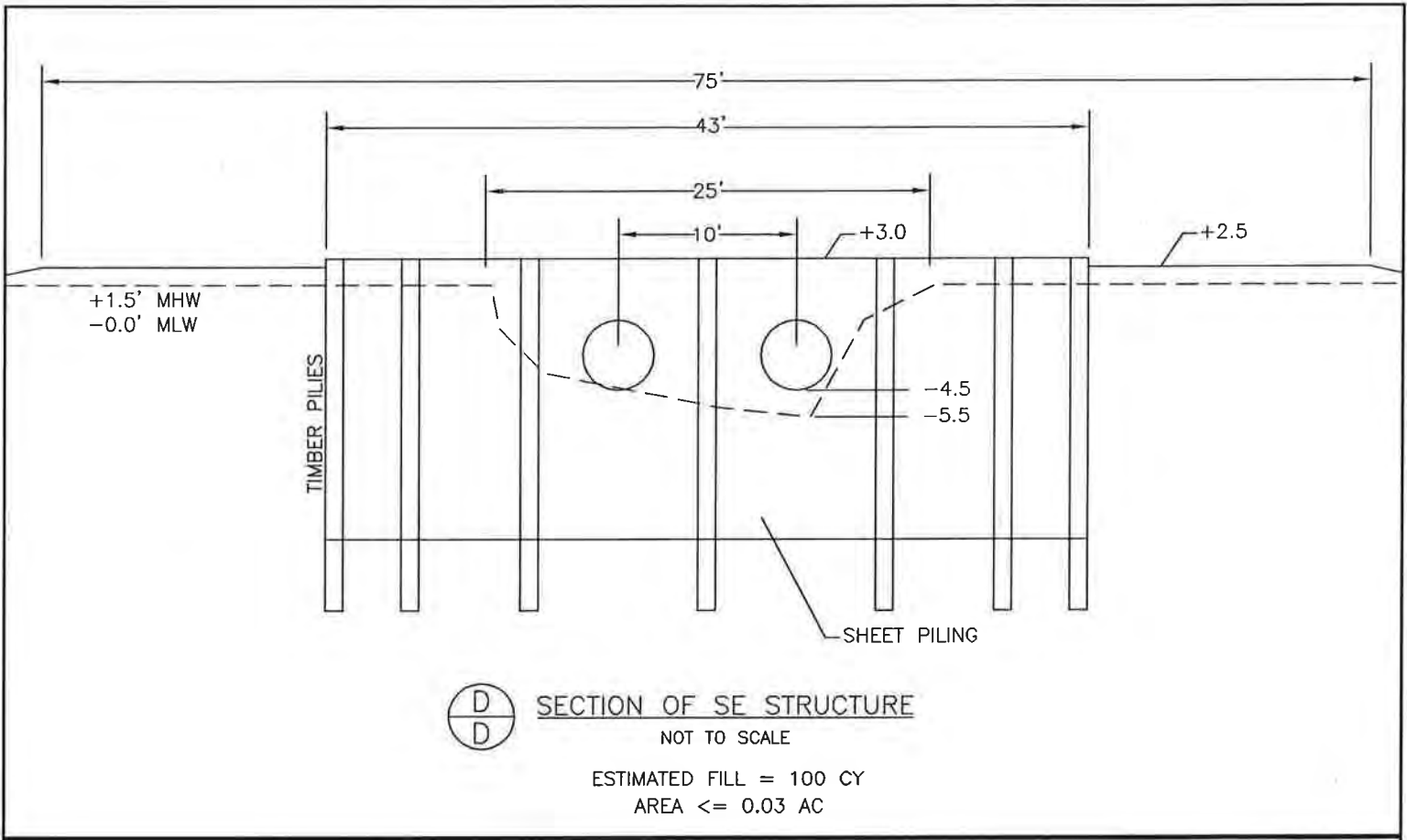


N
 1" = 200'

STATE OF LOUISIANA
 ERIC H. HELD
 License No. 35801
 PROFESSIONAL ENGINEER
 07/7/14
 2115/113

DUCKS UNLIMITED INC.
 SOUTHERN REGIONAL OFFICE
 193 Business Park Drive; Suite E
 Ridgeland, MS 39157
 Certificate Of Authorization No. C-2260

PROJECT NO. DU-LA-159-2
**CARENCRO BAYOU
 FRESHWATER INTRODUCTION
 WEST LEG - SE STRUCTURE**



STATE OF LOUISIANA
ERIC H. HELD
License No. 35801
PROFESSIONAL ENGINEER
8/16/2013

PLAN OF SE STRUCTURE
NOT TO SCALE

DUCKS UNLIMITED INC.
SOUTHERN REGIONAL OFFICE
193 Business Park Drive; Suite E
Ridgeland, MS 39157
Certificate Of Authorization No. C-2260

PROJECT NO. DU-LA-159-2
**CARENCRO BAYOU
FRESHWATER INTRODUCTION
W. LEG - SE STRUCTURE**