

JOINT PUBLIC NOTICE

September 28, 2015

United States Army
Corps of Engineers
New Orleans District
Regulatory Branch
Post Office Box 60267
New Orleans, Louisiana 70160-0267

State of Louisiana
Department of Environmental Quality
ATTN: Water Quality Certifications
Post Office Box 4313
Baton Rouge, Louisiana 70821-4313

(504) 862-2041

(225) 219-3225

Benjamin.C.Sherman@usace.army.mil

Project Manager
Benjamin Sherman
Permit Application Number
MVN 2015-01947 ES

Project Manager
Elizabeth Hill
WQC Application Number
WQC 150924-02

Interested parties are hereby notified that a permit application has been received by the New Orleans District of the U.S. Army Corps of Engineers pursuant to: [X] Section 10 of the Rivers and Harbors Act of March 3, 1899 (30 Stat. 1151; 33 USC 403); and/or [X] Section 404 of the Clean Water Act (86 Stat. 816; 33 USC 1344).

Application has also been made to the Louisiana Department of Environmental Quality, Water Quality Certifications, for a Water Quality Certification (WQC) in accordance with statutory authority contained in LRS30:2047 A(3), and provisions of Section 401 of the Clean Water Act (P.L.95-17).

Dredging, Drill Rig and Flowlines in Plaquemines Parish, Louisiana

NAME OF APPLICANT: Hilcorp Energy Company % Tim Morton & Associates Inc,
Attn: Donna Hollier, 730 E. Kaliste Saloom Road, Lafayette, Louisiana, 70508.

LOCATION OF WORK: Dixon Bay, near Venice, Louisiana, in Plaquemines Parish, as shown on the enclosed drawings.

Hydrologic Unit Code: 08090100 - Lower Mississippi Region
Beginning Prop Wash Location Latitude: 29.10792 Longitude: 89.304722
Well Location: Latitude: 29.09436, Longitude: -89.30686

CHARACTER OF WORK: The applicant proposes to prop wash approximately 61,079 cubic yards of material to construct a channel and slip for the purpose of placing a drilling rig on location to drill the Thin Ice Prospect. Additionally, the applicant will install and maintain two 4-inch flowlines jetted a minimum of 3 feet below the mudline. Approximately 1,362 cubic yards of material will be jetted for the flowline installation. Approximately 9 cubic yards of sand bag fill will be placed at existing pipeline crossings.

The project is proposed in open water; no impacts to jurisdictional wetlands are anticipated with project implementation, thus, no compensatory mitigation measures are proposed at this time.

The comment period for the Department of the Army Permit and the Louisiana Department of Environmental Quality WQC will close **20 days** from the date of this joint public notice. Written comments, including suggestions for modifications or objections to the proposed work, stating reasons thereof, are being solicited from anyone having interest in this permit and/or this WQC request and must be mailed so as to be received before or by the last day of the comment period. Letters concerning the Corps of Engineers permit application must reference the applicant's name and the Permit Application Number, and be mailed to the Corps of Engineers at the address above, **ATTENTION: REGULATORY BRANCH**. **Individuals or parties may request an extension of time in which to comment on the proposed work by writing or e-mailing the Corps of Engineers Project Manager listed above. Any request must be specific and substantively supportive of the requested extension, and received by this office prior to the end of the initial comment period. The Section Chief will review the request and the requestor will be promptly notified of the decision to grant or deny the request. If granted, the time extension will be continuous to the initial comment period and, inclusive of the initial comment period, will not exceed a total of 30 calendar days.**

The application for this proposed project is on file with the Louisiana Department of Environmental Quality and may be examined during weekdays between 8:00 a.m. and 4:30 p.m. Copies may be obtained upon payment of costs of reproduction.

Corps of Engineers Permit Criteria

The decision whether to issue a permit will be based on an evaluation of the probable impacts, including cumulative impacts of the proposed activity on the public interest. That decision will reflect the national concern for both protection and utilization of important resources. The benefit which reasonably may be expected to accrue from the proposal must be balanced against its reasonably foreseeable detriments. All factors which may be relevant to the proposal will be considered including the cumulative effects thereof; among those are conservation, economics, aesthetics, general environmental concerns, wetlands, historic properties, fish and wildlife values, flood hazards, floodplain values, land use, navigation, shoreline erosion and accretion, recreation, water supply and conservation, water quality, energy needs, safety, food and fiber production, mineral needs, considerations of property ownership and, in general, the needs and welfare of the people.

The U.S. Army Corps of Engineers is soliciting comments from the public, federal, state, and local agencies and officials, Indian Tribes, and other interested parties in order to consider and evaluate the impacts of this proposed activity. Any comments received will be considered by the U.S. Army Corps of Engineers to determine whether to make, modify, condition, or deny a permit for this proposal. To make this decision, comments are used to assess impacts on endangered species, historic properties, water quality, general environmental effects, and other public interest factors listed above. Comments are used in the preparation of an Environmental Assessment and/or an Environmental Impact Statement pursuant to the National Environmental Policy Act. Comments are also used to determine the need for a public hearing and to determine the overall public interest of the proposed activity.

The New Orleans District is unaware of properties listed on the National Register of Historic Places near the proposed work. The possibility exists that the proposed work may damage or destroy presently unknown archeological, scientific, prehistorical, historical sites, or data. Issuance of this public notice solicits input from the State Archeologist and State Historic Preservation Officer regarding potential impacts to cultural resources.

The New Orleans District has determined that the project footprint is located in waters known to be utilized by the West Indian manatee (*Trichechus manatus*) and determined the activity is “not likely to adversely affect” this species based on the Standard Local Operating Procedure for Endangered Species in Louisiana (SLOPES), dated October 22, 2014, between the U.S. Army Corps of Engineers, New Orleans and U.S. Fish and Wildlife Service, Ecological Services Office. If authorized, “The Standard Manatee Conditions for In-Water Activities” will be made part of the permit’s special conditions.

Our initial finding is that the proposed work would not affect any species, nor affect any habitat designated as critical to the survival and recovery of such species, listed as endangered by the U.S. Department of Commerce.

This notice initiates the Essential Fish Habitat (EFH) consultation requirements of the Magnuson-Stevens Fishery Conservation and Management Act. The applicant's proposal would result in the destruction or alteration of **9.8** acres of EFH utilized by various life stages of red drum and penaeid shrimp. Our initial determination is that the proposed action would not have a substantial adverse impact on EFH or federally managed fisheries in the Gulf of Mexico. Our final determination relative to project impacts and the need for mitigation measures is subject to review by and coordination with the National Marine Fisheries Service.

If the proposed work involves deposits of dredged or fill material into navigable waters, the evaluation of the probable impacts will include the application of guidelines established by the Administrator of the Environmental Protection Agency. Also, a certification that the proposed activity will not violate applicable water quality standards will be required from the Department of Environmental Quality, Water Quality Certifications, before a permit is issued.

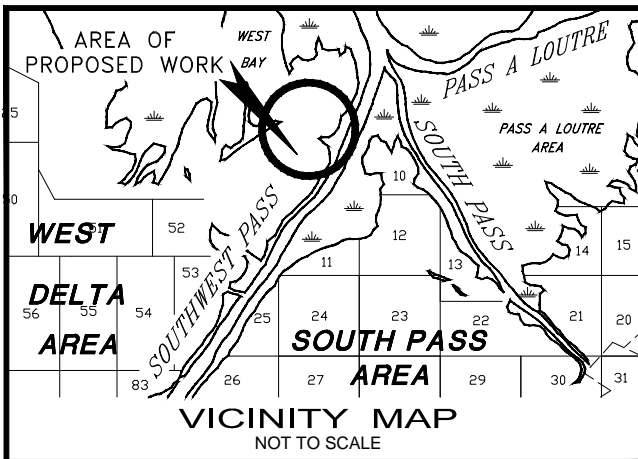
Any person may request, in writing, within the comment period specified in this notice, that a public hearing be held to consider this application. Requests for public hearings shall state, with particularity, the reasons for holding a public hearing.

The applicant has certified that the proposed activity described in the application complies with and will be conducted in a manner that is consistent with the Louisiana Coastal Resources Program. The Department of the Army permit will not be issued unless the applicant received approval or a waiver of the Coastal Use Permit by the Department of Natural Resources.

You are requested to communicate the information contained in this notice to any other parties whom you deem likely to have interest in the matter.

Michael V. Farabee
Chief, Eastern Evaluation Section

Enclosure

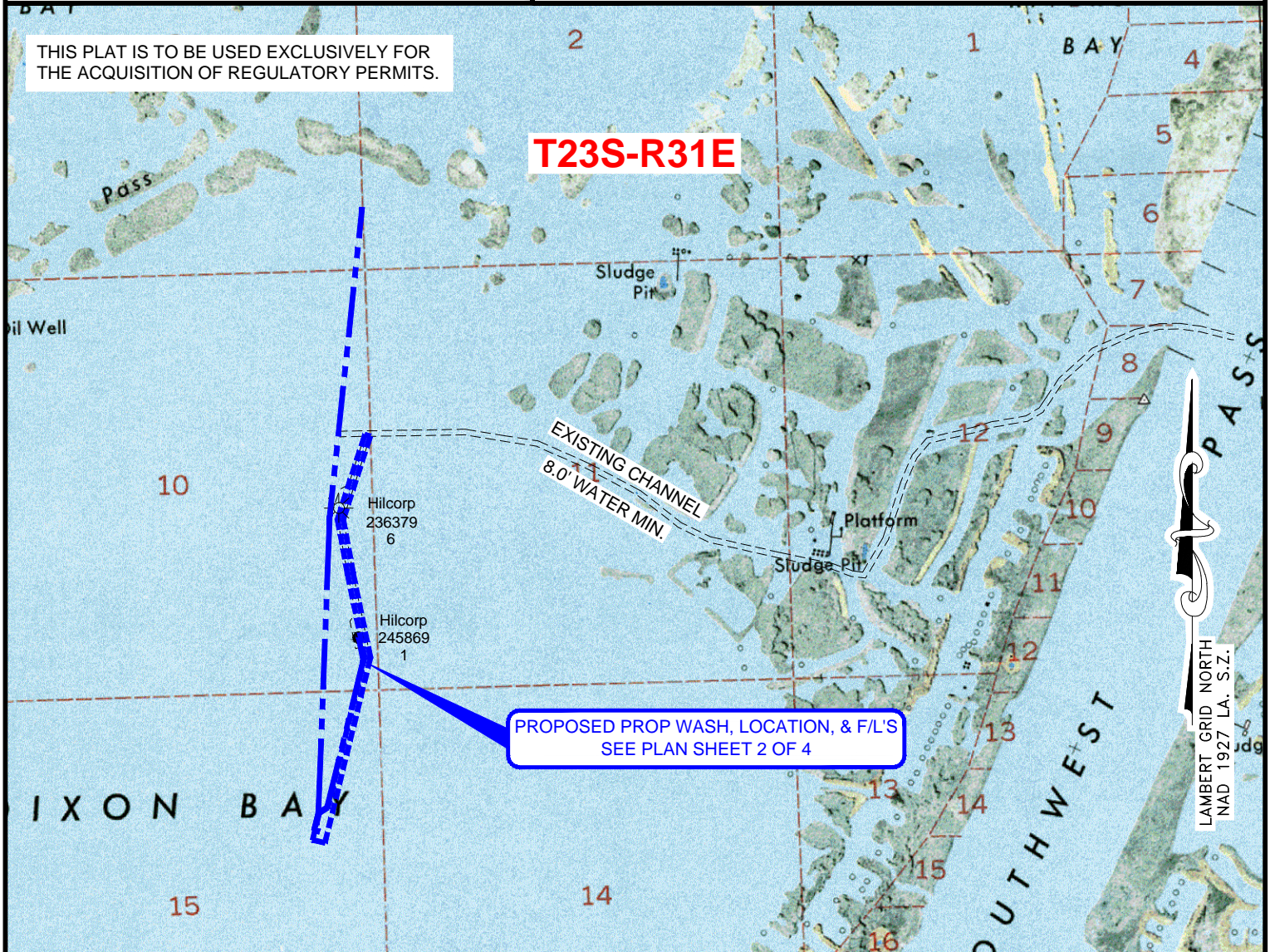


As-built drawings and/or plats shall have written on them the date of completion of said activities and shall be submitted to the Louisiana Department of Natural Resources, Office of Coastal Management, P.O. Box 44487, Baton Rouge, LA 70804-4487 within 30 days following project completion.

All structures built under the authorization and conditions of this permit shall be removed from the site within 120 days of abandonment of the facilities for the herein permitted use, or when these structures fall into a state of disrepair such that they can no longer function as intended. This condition does not preclude the necessity for revising the current permit or obtaining a separate Coastal Use Permit, should one be required, for such removal activities.

Structures must also be marked / lighted in accordance with U.S Coast Guard regulations.

In order to ensure the safety of all parties, the permittee shall contact Louisiana One Call System (1-800-272-3020) a minimum of 48 hours prior to the commencement of any excavation (digging, dredging, jetting, etc.) or demolition activity.



LOCATION MAP

REPRODUCED FROM USGS DIXON BAY QUADRANGLE



HILCORP ENERGY COMPANY

1201 LOUISIANA, SUITE 1400
HOUSTON, TEXAS 77002

**PROPOSED PROP WASH, LOCATION, & F/L'S
THIN ICE PROSPECT**
South Pass Block 24 Field
Plaquemines Parish, Louisiana

PREPARED BY:



730 E. KALISTE SALOOM RD.
LAFAYETTE, LA 70508
(337) 210-0000
LA Reg. No. 330

JOB No: 150802

DATE: Aug. 26, 2015

DRW: REP

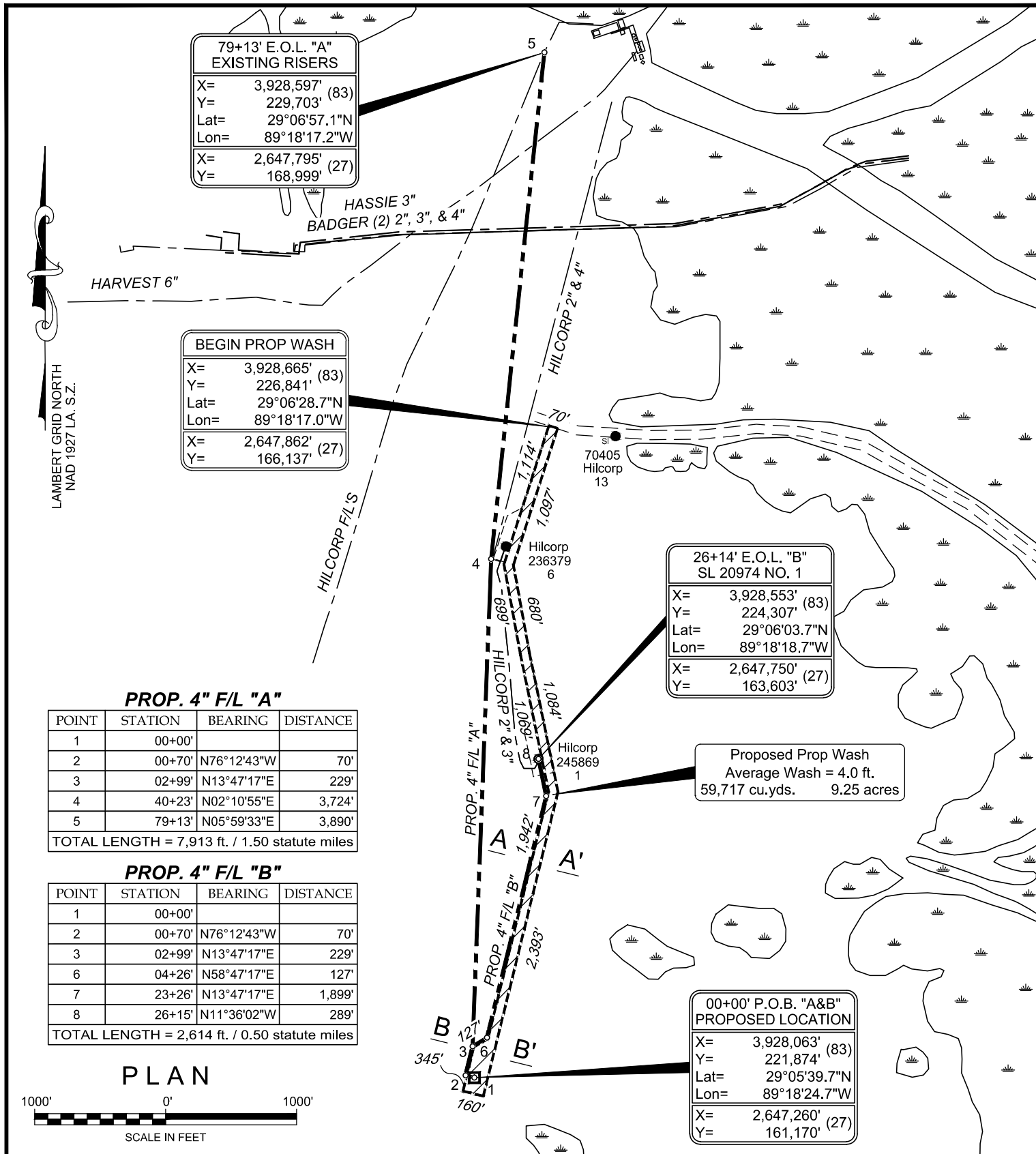
CKD: HEK

FILE: C150802.DWG

SHEET 1 of 4

REV.

0



79+13' E.O.L. "A"
EXISTING RISERS

X= 3,928,597' (83)
Y= 229,703'
Lat= 29°06'57.1"N
Lon= 89°18'17.2"W

X= 2,647,795' (27)
Y= 168,999'

BEGIN PROP WASH

X= 3,928,665' (83)
Y= 226,841'
Lat= 29°06'28.7"N
Lon= 89°18'17.0"W

X= 2,647,862' (27)
Y= 166,137'

26+14' E.O.L. "B"
SL 20974 NO. 1

X= 3,928,553' (83)
Y= 224,307'
Lat= 29°06'03.7"N
Lon= 89°18'18.7"W

X= 2,647,750' (27)
Y= 163,603'

Proposed Prop Wash
Average Wash = 4.0 ft.
59,717 cu.yds. 9.25 acres

00+00' P.O.B. "A&B"
PROPOSED LOCATION

X= 3,928,063' (83)
Y= 221,874'
Lat= 29°05'39.7"N
Lon= 89°18'24.7"W

X= 2,647,260' (27)
Y= 161,170'

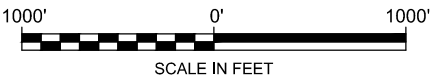
PROP. 4" F/L "A"

POINT	STATION	BEARING	DISTANCE
1	00+00'		
2	00+70'	N76°12'43"W	70'
3	02+99'	N13°47'17"E	229'
4	40+23'	N02°10'55"E	3,724'
5	79+13'	N05°59'33"E	3,890'
TOTAL LENGTH = 7,913 ft. / 1.50 statute miles			

PROP. 4" F/L "B"

POINT	STATION	BEARING	DISTANCE
1	00+00'		
2	00+70'	N76°12'43"W	70'
3	02+99'	N13°47'17"E	229'
6	04+26'	N58°47'17"E	127'
7	23+26'	N13°47'17"E	1,899'
8	26+15'	N11°36'02"W	289'
TOTAL LENGTH = 2,614 ft. / 0.50 statute miles			

PLAN



HILCORP ENERGY COMPANY
2101 LOUISIANA, SUITE 1400
HOUSTON, TEXAS 77002

**PROPOSED PROP WASH, LOCATION, & F/L'S
THIN ICE PROSPECT**
South Pass Block 24 Field
Plaquemines Parish, Louisiana

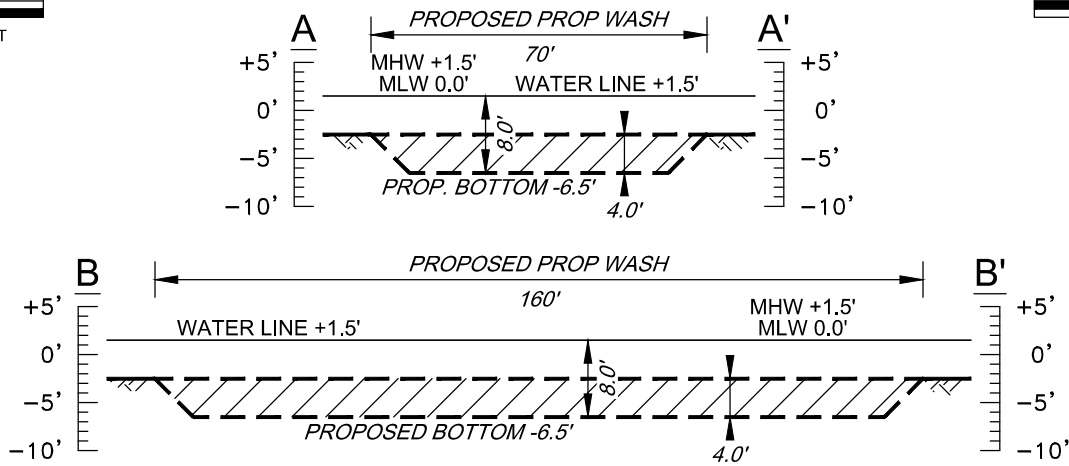
PREPARED BY: **C&C Technologies**
An Oceanering International Company

730 E. KALISTE SALOOM RD.
LAFAYETTE, LA 70508
(337) 210-0000
LA Reg. No. 330

JOB No: 150802
DRW: REP CKD: HEK
FILE: C150802A.DWG

DATE: Aug. 27, 2015
SHEET 2 of 4
REV. 0

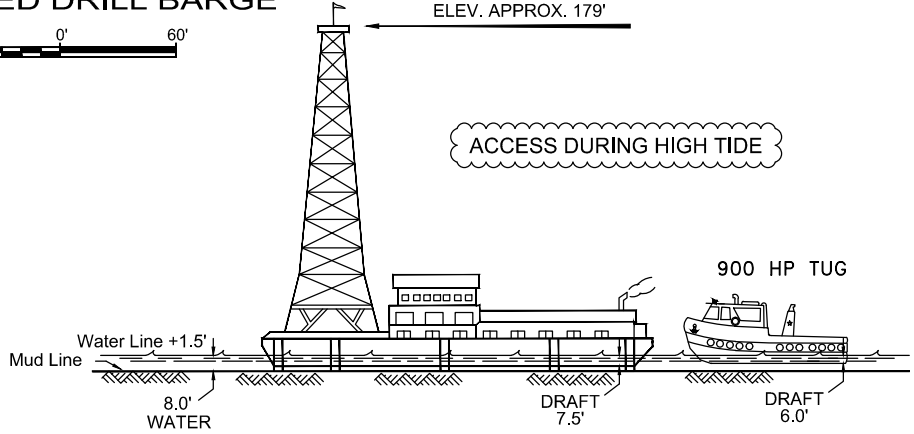
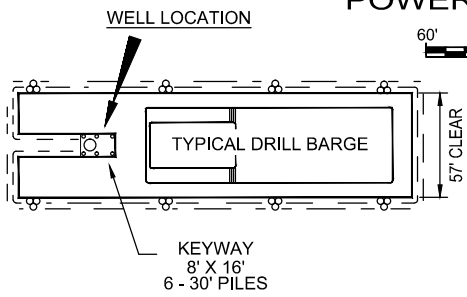
TYP. SECTIONS



PLAN

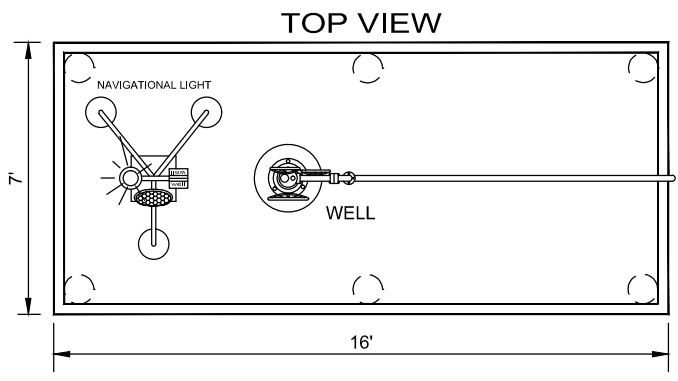
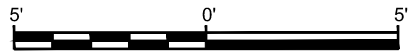
TYPICAL DIESEL POWERED DRILL BARGE

ELEVATION

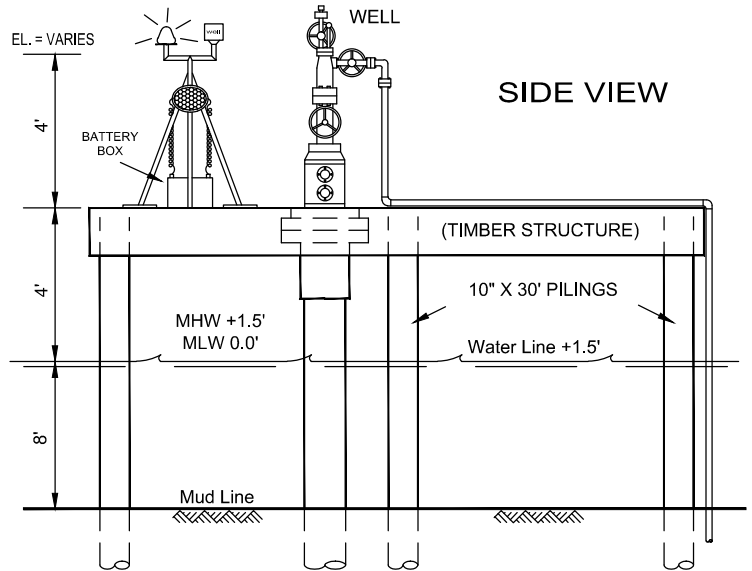


NOTE:
 8 TEMPORARY 3 PILE CLUSTER TO BE DRIVEN TO ASSIST IN REMOVING DRILL BARGE FROM LOC'N. TEMPORARY CLUSTERS TO BE PULLED WHEN PERMANENT WELL GUARD IS INSTALLED.

TYPICAL WELL HEAD PROTECTOR



NAVIGATIONAL LIGHT



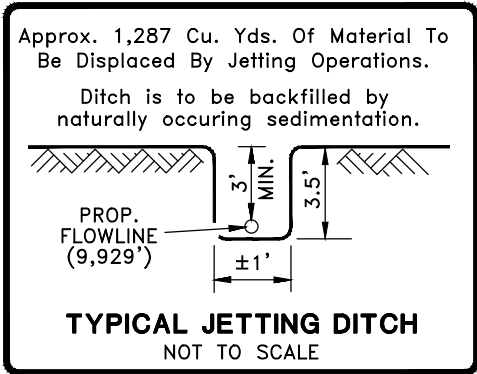
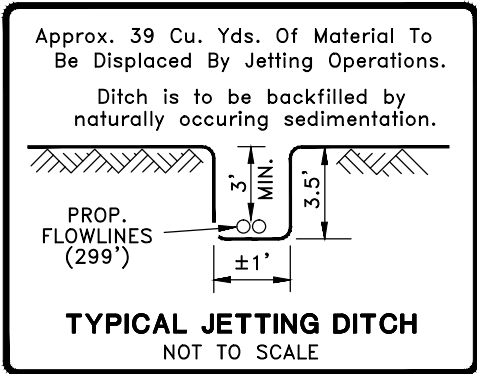
HILCORP ENERGY COMPANY
 1201 LOUISIANA, SUITE 1400
 HOUSTON, TEXAS 77002

PROPOSED PROP WASH, LOCATION, & F/L'S THIN ICE PROSPECT
 South Pass Block 24 Field
 Plaquemines Parish, Louisiana

PREPARED BY: **C&C Technologies**
 An Oceanering International Company

730 E. KALISTE SALOOM RD.
 LAFAYETTE, LA 70508
 (337) 210-0000
 LA Reg. No. 330

JOB No: 150802		DATE: Aug. 27, 2015	
DRW: REP	CKD: HEK	SHEET 3 of 4	
FILE: C150802A.DWG			

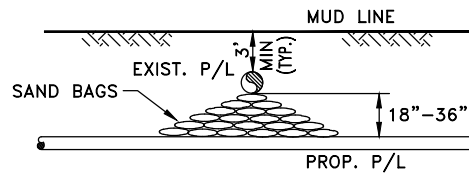
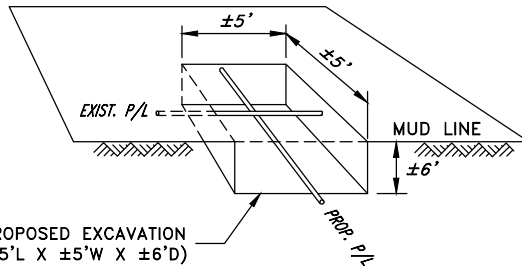
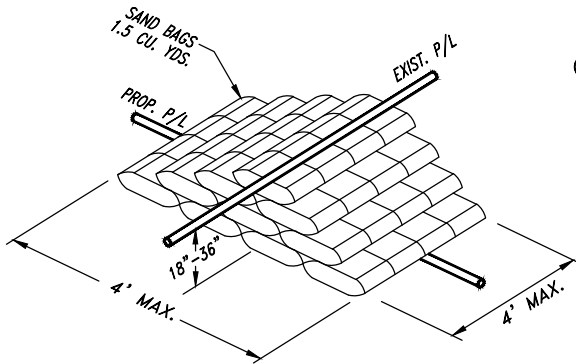


Material To Be Displaced By Jetting Operations.

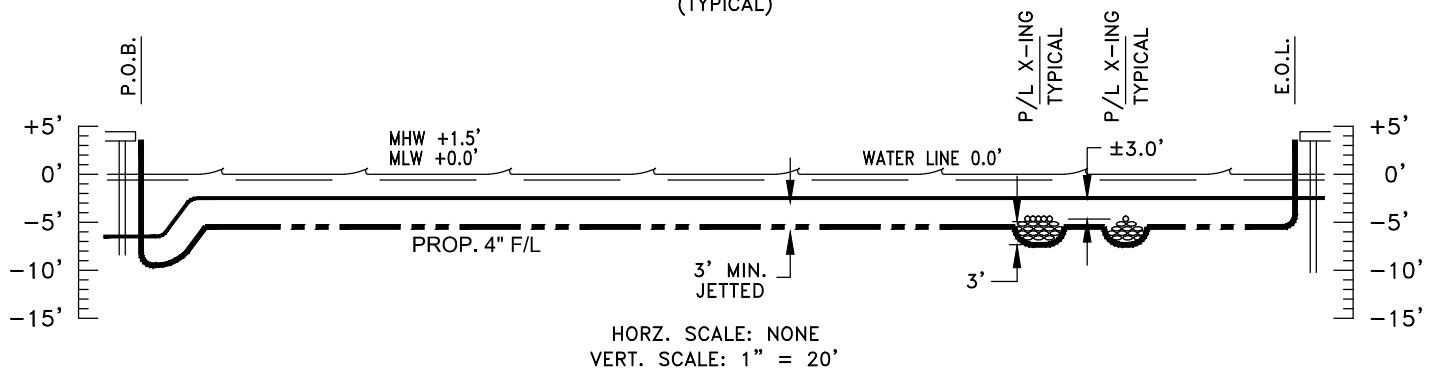
Ditch Is To Be Backfilled By Naturally Occuring Sedimentation.

(0.00057 AC. OF JETTING & 6 CU. YDS. DISPLACED PER CROSSING)
(1.5 CU. YDS. PER CROSSING OF SAND BAGS)

TYPICAL JETTING FOR P/L CROSSING
NOT TO SCALE



PROFILE
(TYPICAL)



HILCORP ENERGY COMPANY
2101 LOUISIANA, SUITE 1400
HOUSTON, TEXAS 77002

**PROPOSED PROP WASH, LOCATION, & F/L'S
THIN ICE PROSPECT**
South Pass Block 24 Field
Plaquemines Parish, Louisiana

PREPARED BY: **C&C Technologies**
An Oceanering International Company

730 E. KALISTE SALOOM RD.
LAFAYETTE, LA 70508
(337) 210-0000
LA Reg. No. 330

JOB No: 150802

DATE: Aug. 27, 2015

DRW: REP

CKD: HEK

FILE: C150802A.DWG

SHEET 4 of 4

REV.
0