

JOINT PUBLIC NOTICE

May 14, 2018

United States Army
Corps of Engineers
New Orleans District
Regulatory Branch
7400 Leake Avenue
New Orleans, LA 70118-3651

State of Louisiana
Department of Environmental Quality
Post Office Box 4313
Baton Rouge, La. 70821-4313
Attn: Water Quality Certifications

(504) 862-2548/ FAX (504) 862-2574
Project Manager
Johnny Duplantis
Permit Application Number
MVN-2018-00141-WPP

(225) 219-3225/FAX (225) 325-8125
Project Manager
Elizabeth Hill
WQC Application Number
WQC # 180510-02

Interested parties are hereby notified that a permit application has been received by the New Orleans District of the U.S. Army Corps of Engineers pursuant to: [] Section 10 of the Rivers and Harbors Act of March 3, 1899 (30 Stat. 1151; 33 USC 403); and/or [X] Section 404 of the Clean Water Act (86 Stat. 816; 33 USC 1344).

Application has also been made to the Louisiana Department of Environmental Quality, for a Water Quality Certification (WQC) in accordance with statutory authority contained in Louisiana Revised Statutes of 1950, Title 30, Chapter 11, Part IV, Section 2074 A(3) and provisions of Section 401 of the Clean Water Act (P.L.95-17).

SUBSTATION EXPANSION IN CALCASIEU PARISH

NAME OF APPLICANT: Entergy Louisiana, LLC c/o, T. Baker Smith. Attn: Michael Trahan, Jr., Post Office Box 2266, Houma, Louisiana, 70361.

LOCATION: Project located at Latitude 30.15505, Longitude -93.2277, in the community of Lake Charles, in Calcasieu Parish, Louisiana.

The work described below was partially completed prior to obtaining a Department of the Army permit and was in violation of Section 301 of the Clean Water Act. All legal issues concerning the unauthorized work have been deferred.

DESCRIPTION: The applicant proposes to expand the existing Solac Substation in Lake Charles. In 2015, approximately 0.53 acres of forested wetlands were cleared and filled without DA authorization. The applicant proposes to clear an additional 0.16 acres of jurisdictional wetlands in order to complete the proposed substation expansion. Total combined impacts to jurisdictional wetlands would be 0.69 acres. Detailed project plans are attached to this Public Notice. The applicant proposes to purchase required credits from an approved mitigation bank to offset any unavoidable losses to wetland functions caused by project implementation.

The applicant may be required to fully or partially restore the project site to pre-project conditions, if issuance of a permit is determined to be contrary to the overall public interest.

The comment period for the Department of the Army Permit and the Louisiana Department of Environmental Quality WQC will close **20 days** from the date of this joint public notice. Written comments, including suggestions for modifications or objections to the proposed work, stating reasons thereof, are being solicited from anyone having interest in this permit and/or this WQC request and must be mailed so as to be received before or by the last day of the comment period. Letters concerning the Corps of Engineers permit application must reference the applicant's name and the Permit Application Number, and be mailed to the Corps of Engineers at the address above, **ATTENTION: REGULATORY BRANCH**. Similar letters concerning the Water Quality Certification must reference the applicant's name and the WQC Application number and be mailed to the Louisiana Department of Environmental Quality at the address above.

The application for this proposed project is on file with the Louisiana Department of Environmental Quality and may be examined during weekdays between 8:00 a.m. and 5:00 p.m. Copies may be obtained upon payment of costs of reproduction.

Corps of Engineers Permit Criteria

The decision whether to issue a permit will be based on an evaluation of the probable impacts, including cumulative impacts of the proposed activity on the public interest. That decision will reflect the national concern for both protection and utilization of important resources. The benefit which reasonably may be expected to accrue from the proposal must be balanced against its reasonably foreseeable detriments. All factors which may be relevant to the proposal will be considered including the cumulative effects thereof; among those are conservation, economics, aesthetics, general environmental concerns, wetlands, historic properties, fish and wildlife values, flood hazards, floodplain values, land use, navigation, shoreline erosion and accretion, recreation, water supply and conservation, water quality, energy needs, safety, food and fiber production, mineral needs, considerations of property ownership and, in general, the needs and welfare of the people.

The U.S. Army Corps of Engineers is soliciting comments from the public, federal, state, and local agencies and officials, Indian Tribes, and other interested parties in order to consider and evaluate the impacts of this proposed activity. Any comments received will be considered by the U.S. Army Corps of Engineers to determine whether to make, modify, condition, or deny a permit for this proposal. To make this decision, comments are used to assess impacts on endangered species, historic properties, water quality, general environmental effects, and other public interest factors listed above. Comments are used in the preparation of an Environmental Assessment and/or an Environmental Impact Statement pursuant to the National Environmental Policy Act. Comments are also used to determine the need for a public hearing and to determine the overall public interest of the proposed activity.

No properties listed on the National Register of Historic Places are near the proposed work. The possibility exists that the proposed work may damage or destroy presently unknown archeological, scientific, prehistorical, historical sites, or data. Copies of this notice are being sent to the State Archeologist and the State Historic Preservation Officer.

Our initial finding is that the proposed work would neither affect any species listed as endangered by the U.S. Departments of Interior or Commerce, nor affect any habitat designated as critical to the survival and recovery of any endangered species. Utilizing Standard Local

Operating Procedure for Endangered Species in Louisiana (SLOPES), dated October 22, 2014, between the U.S. Army Corps of Engineers, New Orleans and U.S. Fish and Wildlife Service, Ecological Services Office, the Corps has determined that the proposed activity would have no effect on any listed species.

This notice initiates the Essential Fish Habitat (EFH) consultation requirements of the Magnuson-Stevens Fishery Conservation and Management Act. The applicant's proposal would result in the destruction or alteration of 0.0 acre(s) of EFH utilized by various life stages of red drum and penaeid shrimp. Our initial determination is that the proposed action would not have a substantial adverse impact on EFH or federally managed fisheries in the Gulf of Mexico. Our final determination relative to project impacts and the need for mitigation measures is subject to review by and coordination with the National Marine Fisheries Service.

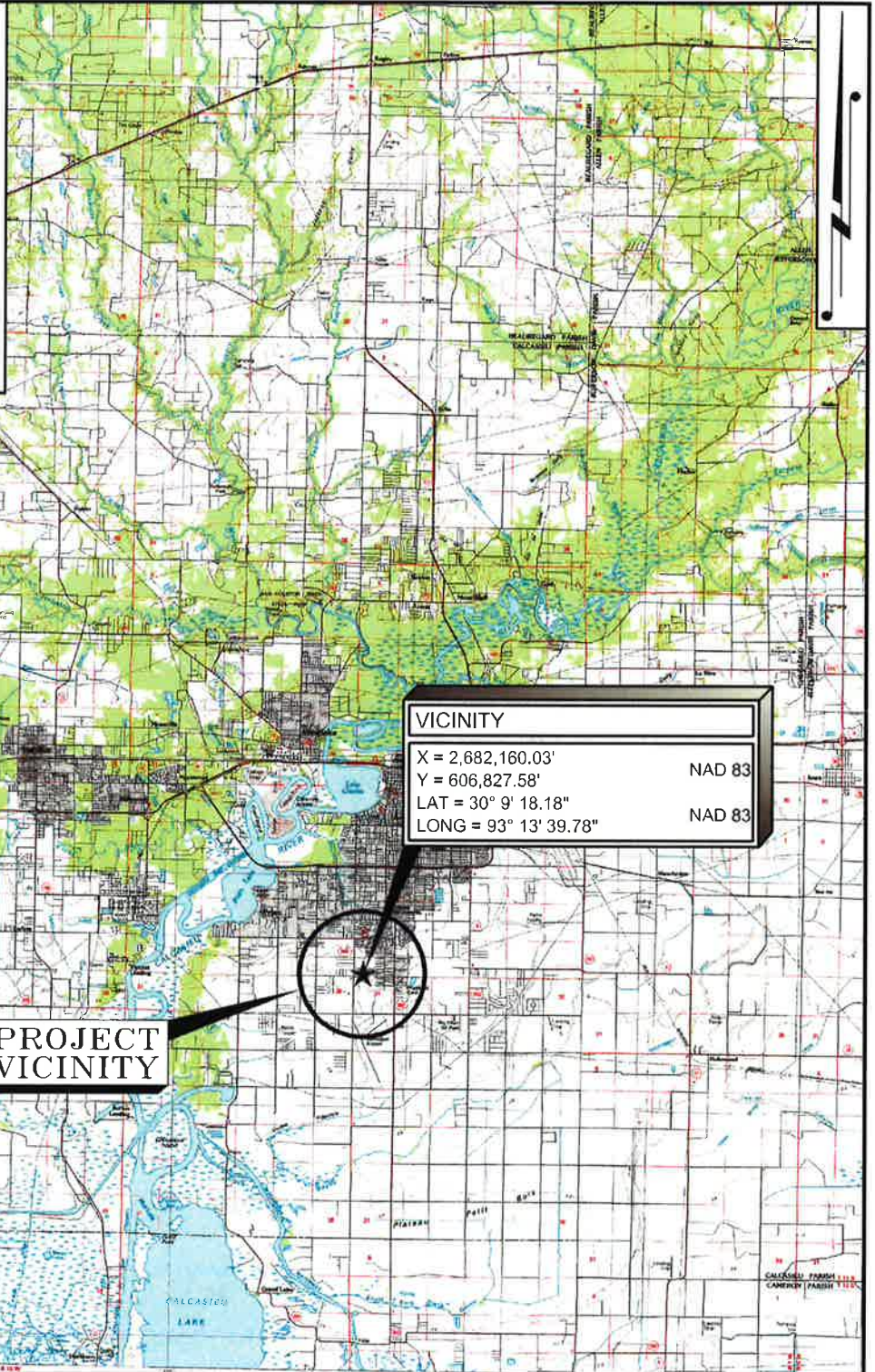
If the proposed work involves deposits of dredged or fill material into navigable waters, the evaluation of the probable impacts will include the application of guidelines established by the Administrator of the Environmental Protection Agency. Also, a certification that the proposed activity will not violate applicable water quality standards will be required from the Department of Environmental Quality, before a permit is issued.

Any person may request, in writing, within the comment period specified in this notice, that a public hearing be held to consider this application. Requests for public hearings shall state, with particularity, the reasons for holding a public hearing.

You are requested to communicate the information contained in this notice to any other parties whom you deem likely to have interest in the matter.

Darrell S. Barbara
Chief, Western Evaluation Section
Regulatory Branch

Attachments



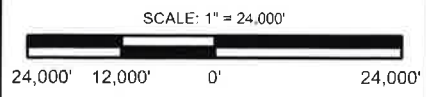
**PROJECT
VICINITY**

VICINITY
 X = 2,682,160.03' NAD 83
 Y = 606,827.58' NAD 83
 LAT = 30° 9' 18.18" NAD 83
 LONG = 93° 13' 39.78"

THESE PLATS ARE TO BE USED EXCLUSIVELY FOR THE ACQUISITION OF REGULATORY PERMITS.

DRAWN BY:	OPP	APPROVED BY:	MDT
DATE:	10/12/2017	JOB NO:	20170445
DRAWING NAME:	170445P-1		
SHEET NO:	1	OF	8
PROJECTION: PROJECTION GEO. DATUM: NAD83 VERT. DATUM: NAVD88 GRID UNITS: US SURVEY FEET			

VICINITY MAP
ENTERGY LOUISIANA, LLC
 PERMIT DRAWINGS FOR THE
 PROPOSED ENTERGY SOLAC SUBSTATION EXPANSION
 HWY. 3092 (LAKE STREET)
 LOCATED IN SECTION 30, T10S-R08W
 CALCASIEU PARISH, LOUISIANA



REV. NO:	00	REV. DATE:	--/--/--	REV. BY:	--
REVISION DESCRIPTION:					

10/12/2017 - P:\Y-2017\2017_0445\DWG\PERMIT\170445P-1.DWG

LEGEND:

- PREVIOUSLY CLEARED PALUSTRINE FORESTED (0.53± ACRES) (NOT PERMITTED)
- PREVIOUS FACILITY EXPANSION (0.76± ACRES) (NOT PERMITTED)
- PROPOSED FACILITY EXPANSION (0.16± ACRES)

EXISTING POWER STRUCTURE NOT PERMITTED
 X = 2,682,250.21' NAD 83
 Y = 606,914.11' NAD 83
 LAT = 30° 09' 19.05" NAD 83
 LONG = 93° 13' 38.77" NAD 83

EXISTING POWER STRUCTURE NOT PERMITTED
 X = 2,682,263.13' NAD 83
 Y = 606,924.88' NAD 83
 LAT = 30° 09' 19.16" NAD 83
 LONG = 93° 13' 38.62" NAD 83

PREVIOUSLY CLEARED PALUSTRINE FORESTED- 0.53± ACRES (NOT PERMITTED)

PROPOSED FACILITY EXPANSION- 0.16± ACRES

PREVIOUS FACILITY EXPANSION- 0.76± ACRES (NOT PERMITTED)

EXISTING POWER STRUCTURE NOT PERMITTED
 X = 2,682,129.48' NAD 83
 Y = 606,548.08' NAD 83
 LAT = 30° 9' 15.41" NAD 83
 LONG = 93° 13' 40.08" NAD 83

EXISTING POWER STRUCTURE NOT PERMITTED
 X = 2,682,203.86' NAD 83
 Y = 606,687.83' NAD 83
 LAT = 30° 09' 16.80" NAD 83
 LONG = 93° 13' 39.25" NAD 83

EXISTING POWER STRUCTURE NOT PERMITTED
 X = 2,682,264.47' NAD 83
 Y = 606,593.34' NAD 83
 LAT = 30° 9' 15.88" NAD 83
 LONG = 93° 13' 38.55" NAD 83

EXISTING POWER STRUCTURE NOT PERMITTED
 X = 2,682,248.39' NAD 83
 Y = 606,576.00' NAD 83
 LAT = 30° 9' 15.70" NAD 83
 LONG = 93° 13' 38.73" NAD 83

EXISTING POWER STRUCTURE NOT PERMITTED
 X = 2,682,171.37' NAD 83
 Y = 606,552.74' NAD 83
 LAT = 30° 9' 15.46" NAD 83
 LONG = 93° 13' 39.60" NAD 83

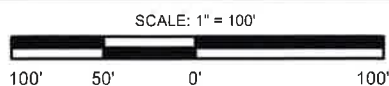
EXISTING POWER STRUCTURE NOT PERMITTED
 X = 3.44' NAD 83
 Y = 3.86' NAD 83
 LAT = 28° 5' 56.06" NAD 83
 LONG = 101° 31' 4.03" NAD 83

THESE PLATS ARE TO BE USED EXCLUSIVELY FOR THE ACQUISITION OF REGULATORY PERMITS.

DRAWN BY:	DPP	APPROVED BY:	MDT
DATE:	10/12/2017	JOB NO:	20170445
DRAWING NAME:	170445P-1		
SHEET NO:	2	OF	8
PROJECTION:	PROJECTION		
GEO. DATUM:	NAD83 VERT. DATUM: NAVD88		
GRID UNITS:	US SURVEY FEET		

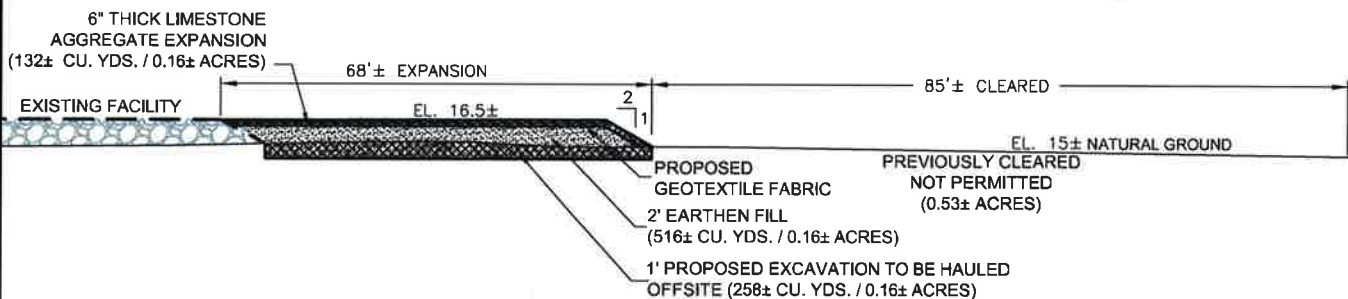
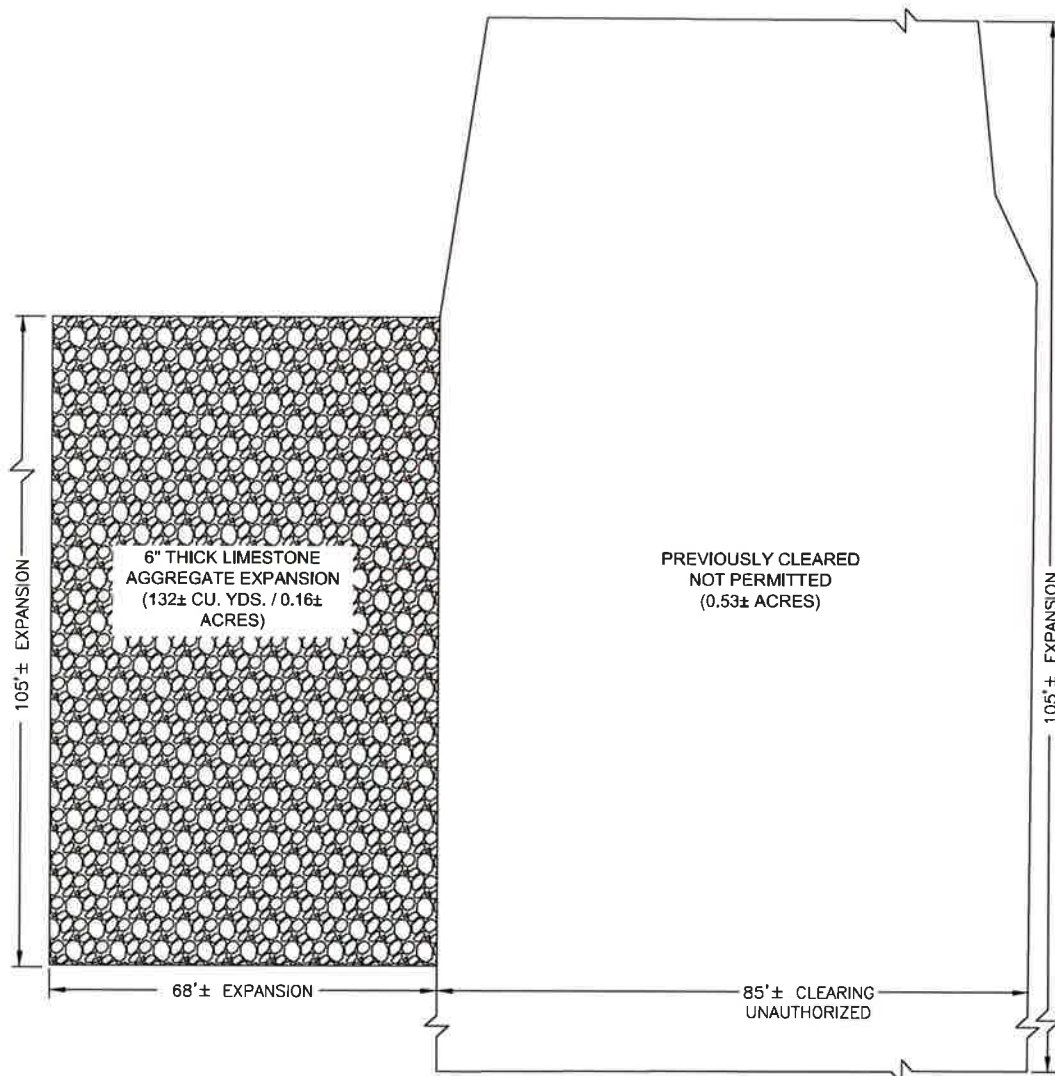
PLAN MAP

ENTERGY LOUISIANA, LLC
 PERMIT DRAWINGS FOR THE
 PROPOSED ENTERGY SOLAC SUBSTATION EXPANSION
 HWY. 3092 (LAKE STREET)
 LOCATED IN SECTION 30, T10S-R08W
 CALCASIEU PARISH, LOUISIANA



REV. NO:	00	REV. DATE:	--/--	REV. BY:	--
REVISION DESCRIPTION:					

10/12/2017 - P:\Y-2017\2017.0445\DWG\PERMIT170445P-2.DWG



SECTION A-A'
NOT TO SCALE

THESE PLATS ARE TO BE USED EXCLUSIVELY FOR THE ACQUISITION OF REGULATORY PERMITS.

DRAWN BY: DPP	APPROVED BY: MDT
DATE: 10/12/2017	JOB NO: 20170445
DRAWING NAME: 170445P-1	
SHEET NO: 3 OF 8	
PROJECTION: PROJECTION GEO. DATUM: NAD83 VERT. DATUM: NAVD88 GRID UNITS: US SURVEY FEET	

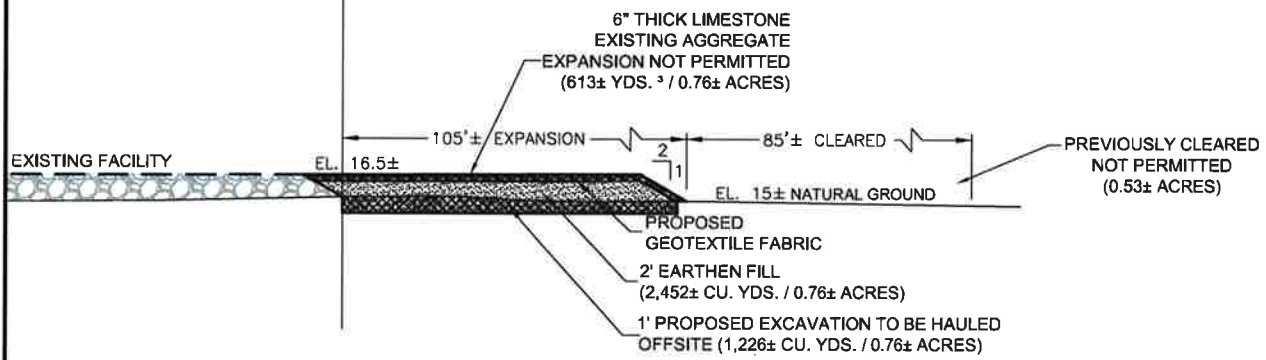
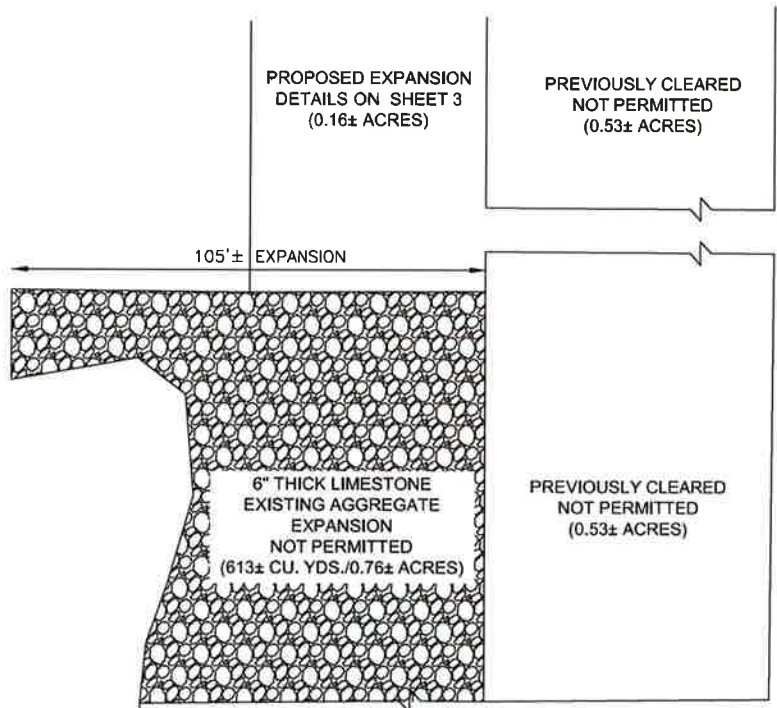
PLAN MAP

ENTERGY LOUISIANA, LLC
 PERMIT DRAWINGS FOR THE
 PROPOSED ENTERGY SOLAC SUBSTATION EXPANSION
 HWY. 3092 (LAKE STREET)
 LOCATED IN SECTION 30, T10S-R08W
 CALCASIEU PARISH, LOUISIANA

NOT TO SCALE



REV. NO: 00	REV. DATE: --/--	REV. BY: --
REVISION DESCRIPTION:		



SECTION B-B'
NOT TO SCALE

THESE PLATS ARE TO BE USED EXCLUSIVELY FOR THE ACQUISITION OF REGULATORY PERMITS.

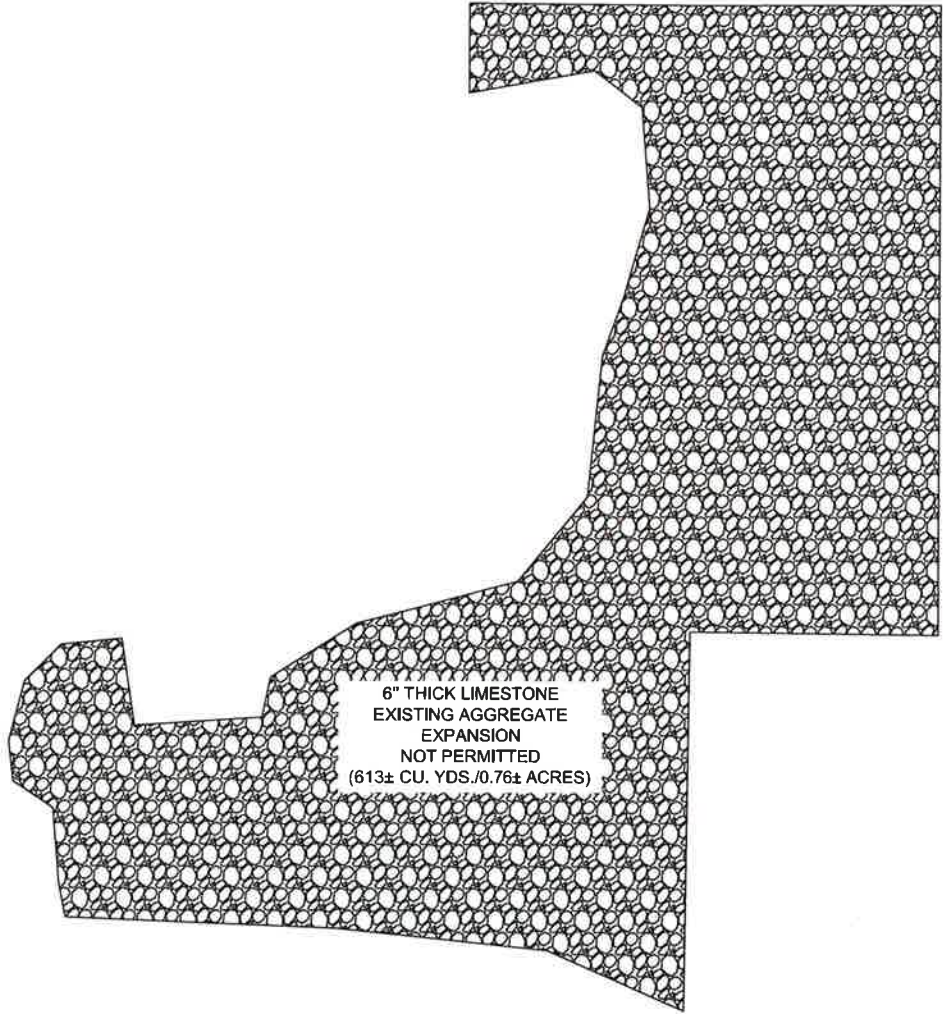
DRAWN BY: DPP	APPROVED BY: MDT
DATE: 10/12/2017	JOB NO: 20170445
DRAWING NAME: 170445P-1	
SHEET NO: 4 OF 8	
PROJECTION: PROJECTION GEO. DATUM: NAD83 VERT. DATUM: NAVD88 GRID UNITS: US SURVEY FEET	

PLAN MAP		
ENTERGY LOUISIANA, LLC		
PERMIT DRAWINGS FOR THE PROPOSED ENTERGY SOLAC SUBSTATION EXPANSION HWY. 3092 (LAKE STREET) LOCATED IN SECTION 30, T10S-R08W CALCASIEU PARISH, LOUISIANA		
REV. NO: 00	REV. DATE: ---	REV. BY: ---
REVISION DESCRIPTION: -		

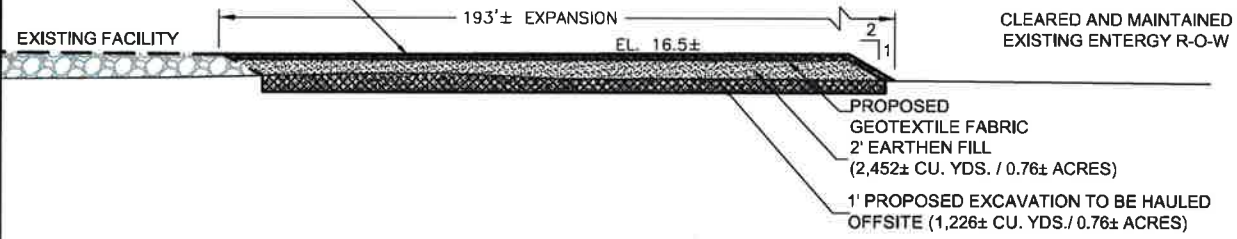
NOT TO SCALE



10/12/2017 - P:\Y-2017\170445\DWG\PERMIT\170445P-2.DWG



6" THICK LIMESTONE
EXISTING AGGREGATE
EXPANSION NOT PERMITTED
(613± YDS. ³ / 0.76± ACRES)



SECTION C-C'
NOT TO SCALE

THESE PLATS ARE TO BE USED EXCLUSIVELY FOR
THE ACQUISITION OF REGULATORY PERMITS.

DRAWN BY:	DPP	APPROVED BY:	MDT
DATE:	10/12/2017	JOB NO:	20170445
DRAWING NAME:	170445P-1		
SHEET NO:	5	OF	8
PROJECTION: PROJECTION	GEO. DATUM: NAD83 VERT. DATUM: NAVD88		
GRID UNITS:	US SURVEY FEET		

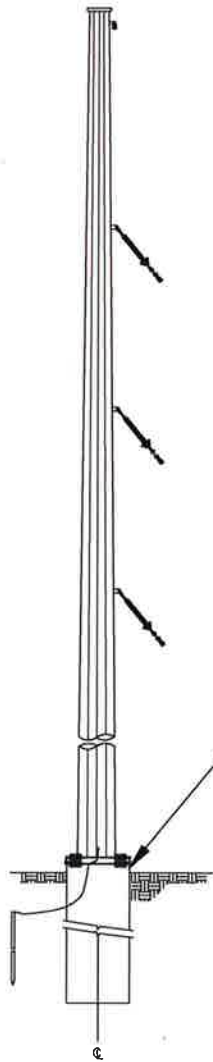
SECTION C-C
ENTERGY LOUISIANA, LLC
PERMIT DRAWINGS FOR THE
PROPOSED ENTERGY SOLAC SUBSTATION EXPANSION
HWY. 3092 (LAKE STREET)
LOCATED IN SECTION 30, T10S-R08W
CALCASIEU PARISH, LOUISIANA

NOT TO SCALE

REV. NO:	00	REV. DATE:	--/--	REV. BY:	--
REVISION DESCRIPTION:					
-					

10/12/2017 - P:\Y-2017\2017_0445\DWG\PERMIT\170445P-2.DWG

STEEL STRUCTURE



NO SPOIL MATERIAL WILL BE EXCAVATED OR FILLED ON BASE PLATED CAISSON TYPE FOUNDATIONS (±0.0006 ACRES PER STRUCTURE)

THESE PLATS ARE TO BE USED EXCLUSIVELY FOR THE ACQUISITION OF REGULATORY PERMITS.

DRAWN BY: DPP	APPROVED BY: MDT
DATE: 10/12/2017	JOB NO: 20170445
DRAWING NAME: 170445P-1	
SHEET NO: 6 OF 8	
PROJECTION: PROJECTION GEO. DATUM: NAD83 VERT. DATUM: NAVD88 GRID UNITS: US SURVEY FEET	

STRUCTURE DETAIL

ENTERGY LOUISIANA, LLC
 PERMIT DRAWINGS FOR THE
 PROPOSED ENTERGY SOLAC SUBSTATION EXPANSION
 HWY. 3092 (LAKE STREET)
 LOCATED IN SECTION 30, T10S-R08W
 CALCASIEU PARISH, LOUISIANA

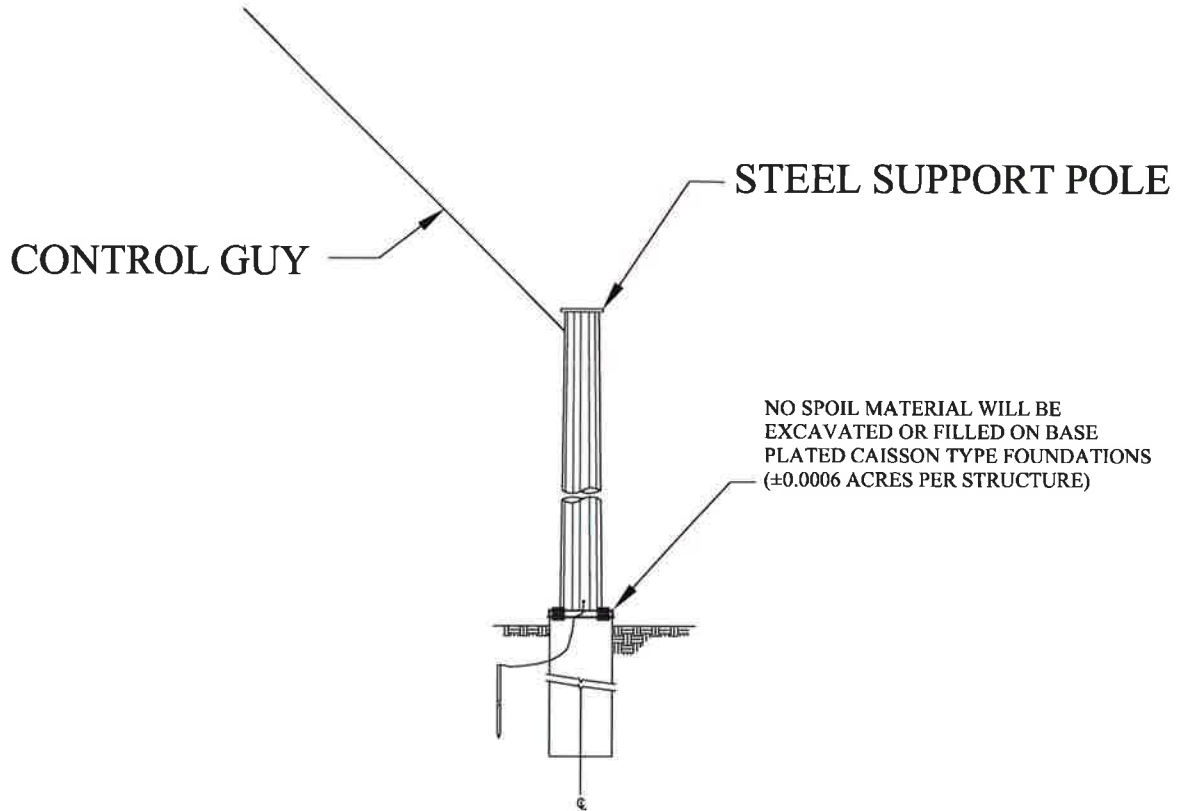
NOT TO SCALE



REV. NO: 00 REV. DATE: --/-- REV. BY: --

REVISION DESCRIPTION: --

STEEL STRUCTURE



THESE PLATS ARE TO BE USED EXCLUSIVELY FOR THE ACQUISITION OF REGULATORY PERMITS.

DRAWN BY: DPP	APPROVED BY: MDT
DATE: 10/12/2017	JOB NO: 20170445
DRAWING NAME: 170445P-1	
SHEET NO: 7 OF 8	
PROJECTION: PROJECTION GEO. DATUM: NAD83 VERT. DATUM: NAVD88 GRID UNITS: US SURVEY FEET	

STRUCTURE DETAIL 2

ENTERGY LOUISIANA, LLC
 PERMIT DRAWINGS FOR THE
 PROPOSED ENTERGY SOLAC SUBSTATION EXPANSION
 HWY. 3092 (LAKE STREET)
 LOCATED IN SECTION 30, T10S-R08W
 CALCASIEU PARISH, LOUISIANA

NOT TO SCALE



REV. NO: 00	REV. DATE: --/--	REV. BY: --
-------------	------------------	-------------

REVISION DESCRIPTION: