

JOINT PUBLIC NOTICE

December 3, 2018

United States Army Corps of Engineers
New Orleans District
Regulatory Branch
7400 Leake Avenue
New Orleans, Louisiana 70118

State of Louisiana
Department of Environmental Quality
Water Permits Division
Post Office Box 4313
Baton Rouge, Louisiana 70821-4313

(504) 862-1577
Project Manager
Patricia Clune
Patricia.R.Clune@usace.army.mil
MVN 2014-02026-CE

(225) 219-3225
Project Manager
Elizabeth Hill
WQC Application Number
WQC #180822-01

Interested parties are hereby notified that a permit application has been received by the New Orleans District of the U.S. Army Corps of Engineers pursuant to: [X] Section 10 of the Rivers and Harbors Act of March 3, 1899 (30 Stat. 1151; 33 USC 403); and/or [X] Section 404 of the Clean Water Act (86 Stat. 816; 33 USC 1344).

Application has also been made to the Louisiana Department of Environmental Quality, Water Permits Division, for a Water Quality Certification (WQC) in accordance with statutory authority contained in LRS30:2047 A(3), and provisions of Section 401 of the Clean Water Act (P.L.95-17).

PROPOSED CAMINADA HEADLANDS BACK BARRIER MARSH CREATION PROJECT BA-0171 IN LAFOURCHE PARISH

NAME OF APPLICANT: Louisiana Coastal Protection and Restoration Authority, P.O. Box 44027, Baton Rouge, Louisiana 70804.

LOCATION OF WORK: In back marsh along the Caminada headlands (Latitude: 29.127317, Longitude: -90.154439) near Port Fourchon in Lafourche Parish, within the East Central Louisiana Coastal basin in hydrological unit (HUC 08090301), as shown on the attached drawings.

CHARACTER OF WORK: The applicant has requested a Department of the Army permit for the restoration of the Caminada Headlands back barrier marsh through fill placement utilizing offshore sand material located in federal waters. The project is being funded through the Coastal Wetland Planning, Protection and Restoration Act and is Phase 2 of the Caminada Headlands Back Barrier Marsh Creation Project (BA-171). The applicant has stated that the project is intended to create a platform upon which the beach and dune can migrate, reducing the likelihood of breaching, improving the longevity of the barrier shoreline, and protecting wetlands and infrastructure to the north and west. The project has been designed to restore the geomorphic and ecologic form and function of the barrier island features at the Caminada Headlands to provide and

protect marsh habitats. The project proposes to add sand material in areas most susceptible to breaching and provide benefits through the restoration and sustaining of important coastal habitats. Approximately 6,678,539 cubic yards of native waterbottom material would be dredged and placed as fill for a marsh platform restoration/creation activities. Approximately 541 acres of marsh habitat are proposed to be created as a result of the fill placement. Approximately 378 acres of waterbottoms would be impacted through dredging activities at the borrow sites. Created marsh platform habitat are proposed to be replanted with appropriate native ecospecies. The applicant has claimed that the project has been designed to avoid and minimize direct and secondary adverse wetland impacts to the maximum extent practicable. The applicant is proposing that the project derived benefits and habitat creation would outweigh any detrimental impacts to wetland areas as a result of project implementation. Compensatory mitigation requirements are not anticipated.

The comment period for the Department of the Army Permit modification and the Louisiana Department of Environmental Quality WQC will close **20 days** from the date of this joint public notice. Written comments, including suggestions for modifications or objections to the proposed work, stating reasons thereof, are being solicited from anyone having interest in this permit and/or this WQC request and must be mailed so as to be received before or by the last day of the comment period. Letters concerning the Corps of Engineers permit modification application must reference the applicant's name and the Permit Application Number, and be mailed to the Corps of Engineers at the address above, **ATTENTION: REGULATORY BRANCH**. **Similar letters concerning the Water Quality Certification must reference the applicant's name and the WQC Application number and be mailed to the Louisiana Department of Environmental Quality at the address above.** Individuals or parties may request an extension of time in which to comment on the proposed work by writing or e-mailing the Corps of Engineers Project Manager listed above. Any request must be specific and substantively supportive of the requested extension, and received by this office prior to the end of the initial comment period. The Section Chief will review the request and the requestor will be promptly notified of the decision to grant or deny the request. If granted, the time extension will be continuous to the initial comment period and, inclusive of the initial comment period, will not exceed a total of 30 calendar days.

The application for this proposed project is on file with the Louisiana Department of Environmental Quality and may be examined during weekdays between 8:00 a.m. and 4:30 p.m. Copies may be obtained upon payment of costs of reproduction.

Corps of Engineers Permit Criteria

The decision whether to issue a permit will be based on an evaluation of the probable impacts, including cumulative impacts of the proposed activity on the public interest. That decision will reflect the national concern for both protection and utilization of important resources. The benefit which reasonably may be expected to accrue from the proposal must be balanced against its reasonably foreseeable detriments. All

factors which may be relevant to the proposal will be considered including the cumulative effects thereof; among those are conservation, economics, aesthetics, general environmental concerns, wetlands, historic properties, fish and wildlife values, flood hazards, floodplain values, land use, navigation, shoreline erosion and accretion, recreation, water supply and conservation, water quality, energy needs, safety, food and fiber production, mineral needs, considerations of property ownership and, in general, the needs and welfare of the people.

The U.S. Army Corps of Engineers is soliciting comments from the public, federal, state, and local agencies and officials, Indian Tribes, and other interested parties in order to consider and evaluate the impacts of this proposed activity. Any comments received will be considered by the U.S. Army Corps of Engineers to determine whether to make, modify, condition, or deny a permit for this proposal. To make this decision, comments are used to assess impacts on endangered species, historic properties, water quality, general environmental effects, and other public interest factors listed above. Comments are used in the preparation of an Environmental Assessment and/or an Environmental Impact Statement pursuant to the National Environmental Policy Act. Comments are also used to determine the need for a public hearing and to determine the overall public interest of the proposed activity.

The New Orleans District is unaware of properties listed on the National Register of Historic Places near the proposed work. The possibility exists that the proposed work may damage or destroy presently unknown archeological, scientific, prehistorical, historical sites, or data. Copies of this notice are being sent to the State Archeologist and the State Historic Preservation Officer.

Our initial finding is that the proposed work would not affect any species, nor affect any habitat designated as critical to the survival and recovery of such species, listed as endangered by the U.S. Department of Interior. The New Orleans District has determined that the proposed project is located in waters known to be utilized by the West Indian Manatee (*Trichechus manatus*). Utilizing Standard Local Operating Procedure for Endangered Species in Louisiana (SLOPES), dated October 22, 2014, between the U.S. Army Corps of Engineers, New Orleans and U.S. Fish and Wildlife Service, Ecological Services Office, the Corps has determined that with the inclusion of the Standard Manatee Conditions for In-Water Activities, proposed work is not likely to adversely affect the West Indian Manatee. Additionally, the proposed work has been determined not likely to adversely affect the piping plover (*Charadrius melodus*) and Red Knot (*Calidris canutus rufa*) with the inclusion of the Avoidance and Minimization Measures for Piping Plovers for Shoreline Activities in Louisiana.

This notice initiates the Essential Fish Habitat (EFH) consultation requirements of the Magnuson-Stevens Fishery Conservation and Management Act. The applicant's proposal would result in the destruction or alteration of up to 542 acres of EFH utilized by various life stages of red drum and penaeid shrimp. Our initial determination is that the proposed action would not have a substantial adverse impact on EFH or federally

managed fisheries in the Gulf of Mexico. Our final determination relative to project impacts and the need for mitigation measures is subject to review by and coordination with the National Marine Fisheries Service.

If the proposed work involves deposits of dredged or fill material into navigable waters, the evaluation of the probable impacts will include the application of guidelines established by the Administrator of the Environmental Protection Agency. Also, a certification that the proposed activity will not violate applicable water quality standards has been issued from the Department of Environmental Quality, under permit number WQC-180822-01

Any person may request, in writing, within the comment period specified in this notice, that a public hearing be held to consider this application. Requests for public hearings shall state, with particularity, the reasons for holding a public hearing. You are requested to communicate the information contained in this notice to any other parties whom you deem likely to have interest in the matter.

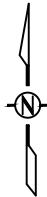
The applicant has certified that the proposed activity described in the application complies with and will be conducted in a manner that is consistent with the Louisiana Coastal Resources Program (Louisiana Coastal Zone Application P20180717). The Department of the Army permit will not be issued unless the applicant received approval or a waiver of the Coastal Use Permit by the Department of Natural Resources.

John M Herman
Chief, Central Evaluation Section
Regulatory Branch

Enclosure

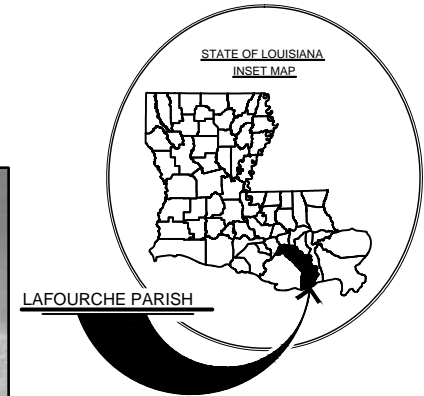
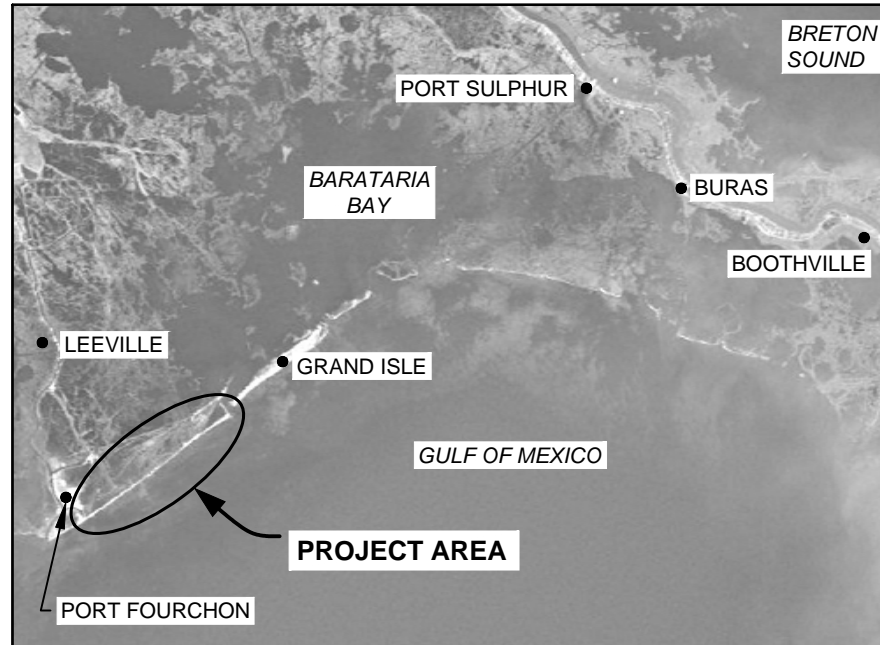
INDEX TO SHEETS

<u>SHEET NO.</u>	<u>DESCRIPTION</u>
1	TITLE SHEET
2	PROJECT LAYOUT
3	BORROW AREA LAYOUT
4	MARSH CREATION AREA LAYOUT
5	BORROW AREA TYPICAL SECTIONS
6	MARSH CREATION AREA TYPICAL SECTIONS
7	POTENTIAL MARSH NOURISHMENT AREA TYPICAL
8	SECTION & GEOTEXTILE FABRIC
9	PIPELINE CROSSING DETAIL
10	SETTLEMENT PLATE DETAILS NOTES



STATE OF LOUISIANA
COASTAL PROTECTION AND RESTORATION AUTHORITY

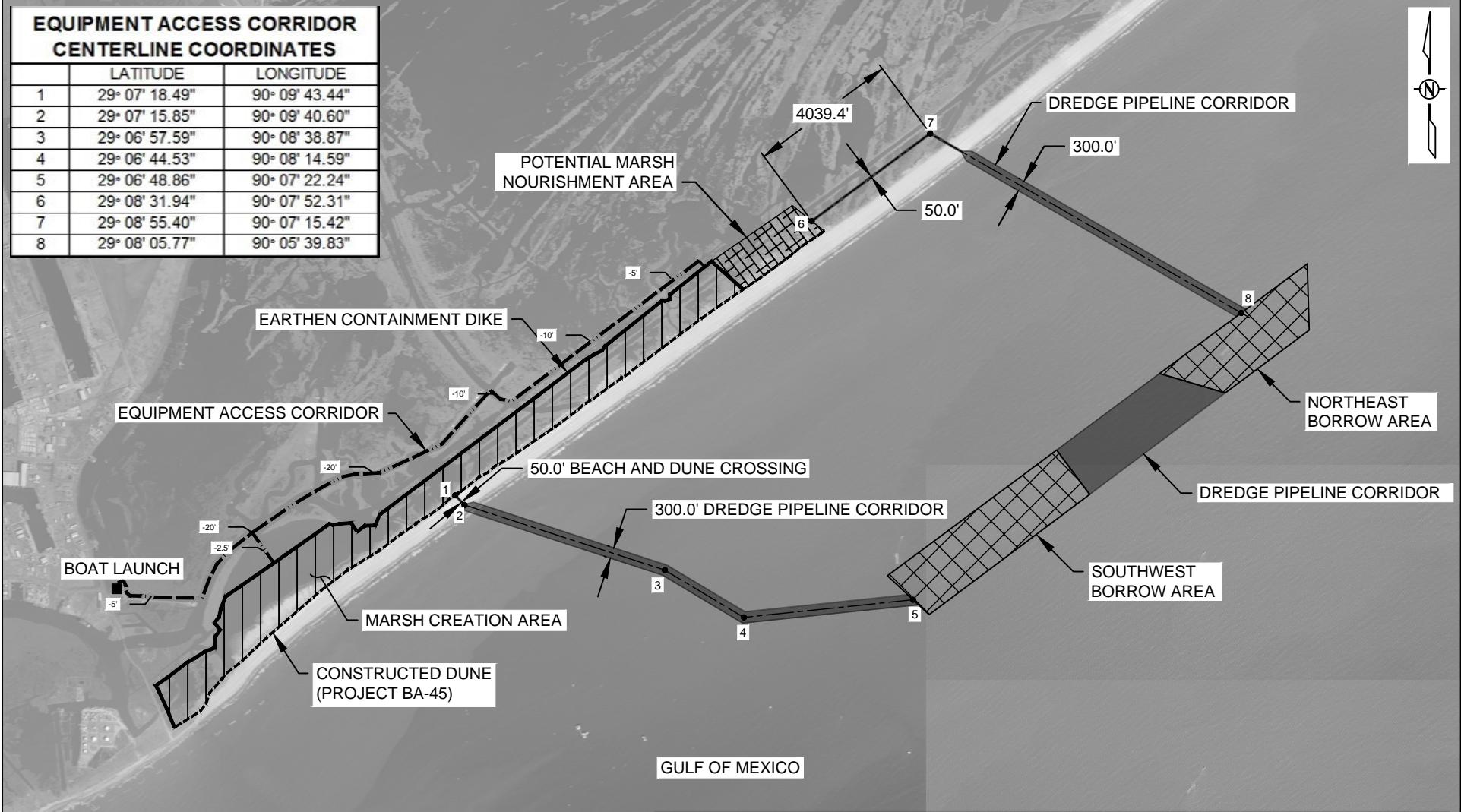
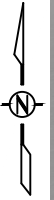
**CAMINADA HEADLAND BACK
BARRIER MARSH CREATION PROJECT**
BA-0171
LAFOURCHE PARISH, LOUISIANA



APPLICATION BY: COASTAL PROTECTION & RESTORATION AUTHORITY P.O. BOX 44027 BATON ROUGE, LA 70804	COASTAL PROTECTION AND RESTORATION AUTHORITY 150 TERRACE AVENUE BATON ROUGE, LOUISIANA 70802	CAMINADA HEADLAND BACK BARRIER MARSH CREATION PROJECT	TITLE SHEET
DRAWN BY: K. CANTU	DESIGNED BY: A. TAYLOR, P.E. 041999	STATE PROJECT NUMBER: BA-0171	DATE: JUNE 2018
APPROVED BY: S. HAYNES, P.E.		SHEET 1 OF 10	

**EQUIPMENT ACCESS CORRIDOR
CENTERLINE COORDINATES**

	LATITUDE	LONGITUDE
1	29° 07' 18.49"	90° 09' 43.44"
2	29° 07' 15.85"	90° 09' 40.60"
3	29° 06' 57.59"	90° 08' 38.87"
4	29° 06' 44.53"	90° 08' 14.59"
5	29° 06' 48.86"	90° 07' 22.24"
6	29° 08' 31.94"	90° 07' 52.31"
7	29° 08' 55.40"	90° 07' 15.42"
8	29° 08' 05.77"	90° 05' 39.83"



NOTE:
EQUIPMENT USED WITHIN THE MARSH CREATION AREA WILL DRAFT NO MORE THAN 4 FEET AND EQUIPMENT USED OFFSHORE WILL DRAFT NO MORE THAN 10 FEET.



LEGEND	
	MARSH CREATION AREA
	POTENTIAL MARSH NOURISHMENT AREA
	BORROW AREA
	DREDGE PIPELINE CORRIDOR
	DREDGE PIPELINE CORRIDOR CENTERLINE
	EQUIPMENT ACCESS CORRIDOR
	EARTHEN CONTAINMENT DIKE
	CONSTRUCTED DUNE (BA-45)

APPLICATION BY:
COASTAL PROTECTION & RESTORATION AUTHORITY
P.O. BOX 44027
BATON ROUGE, LA 70804

COASTAL PROTECTION AND RESTORATION AUTHORITY
150 TERRACE AVENUE
BATON ROUGE, LOUISIANA 70804

CAMINADA HEADLAND BACK
BARRIER MARSH CREATION PROJECT

PROJECT LAYOUT

DRAWN BY: K. CANTU

DESIGNED BY: A. TAYLOR, P.E. 041999

STATE PROJECT NUMBER: BA-0171

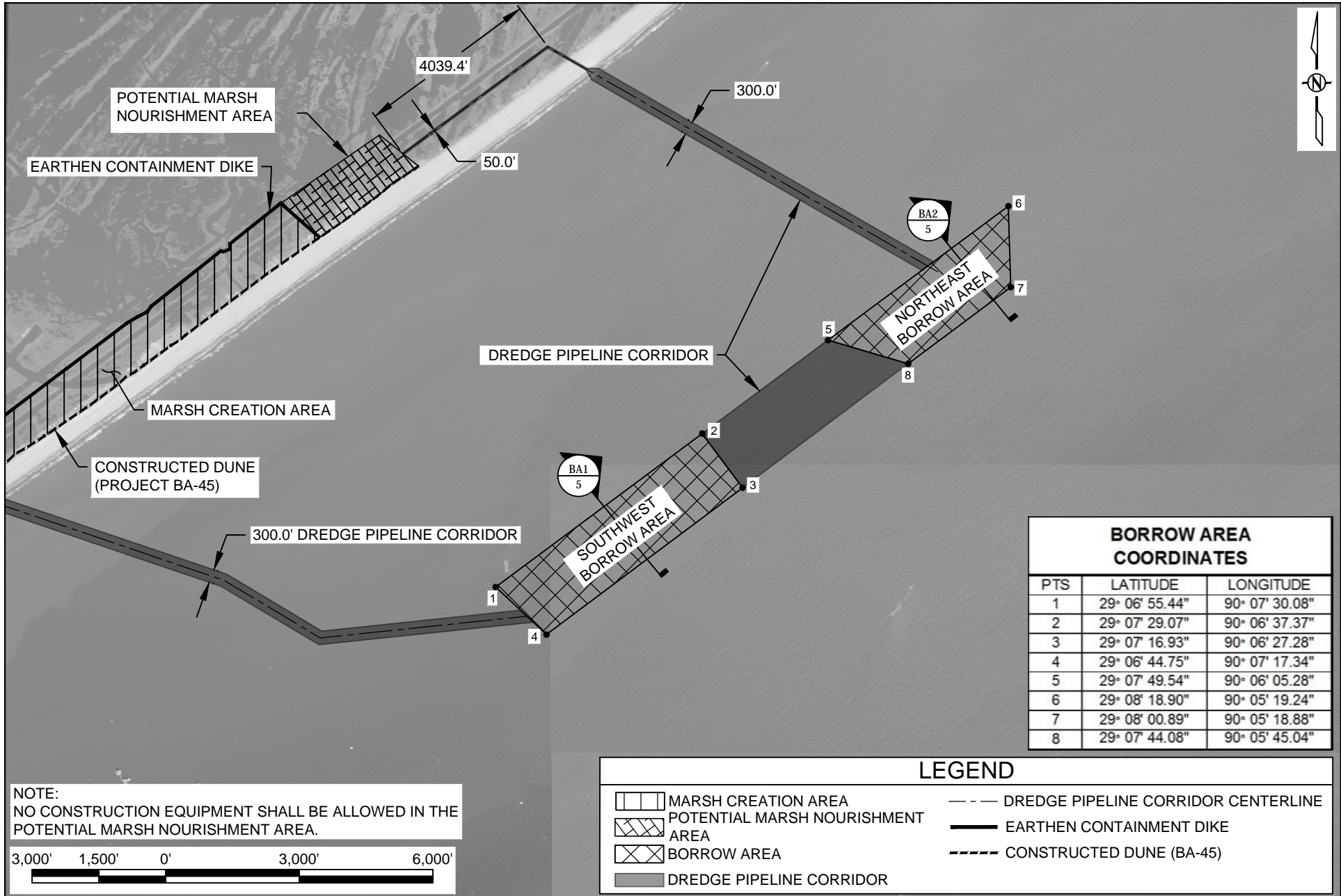
DATE: JUNE 2018

DRAWN BY: K. CANTU

DESIGNED BY: A. TAYLOR, P.E. 041999

APPROVED BY: S. HAYNES, P.E.

SHEET 2 OF 10



BORROW AREA COORDINATES		
PTS	LATITUDE	LONGITUDE
1	29° 06' 55.44"	90° 07' 30.08"
2	29° 07' 29.07"	90° 06' 37.37"
3	29° 07' 16.93"	90° 06' 27.28"
4	29° 06' 44.75"	90° 07' 17.34"
5	29° 07' 49.54"	90° 06' 05.28"
6	29° 08' 18.90"	90° 05' 19.24"
7	29° 08' 00.89"	90° 05' 18.88"
8	29° 07' 44.08"	90° 05' 45.04"

NOTE:
NO CONSTRUCTION EQUIPMENT SHALL BE ALLOWED IN THE POTENTIAL MARSH NOURISHMENT AREA.



LEGEND	
	MARSH CREATION AREA
	POTENTIAL MARSH NOURISHMENT AREA
	DREDGE PIPELINE CORRIDOR CENTERLINE
	BORROW AREA
	EARTHEN CONTAINMENT DIKE
	CONSTRUCTED DUNE (BA-45)
	DREDGE PIPELINE CORRIDOR

APPLICATION BY:
COASTAL PROTECTION & RESTORATION AUTHORITY
P.O. BOX 44027
BATON ROUGE, LA 70804

DRAWN BY: K. CANTU

COASTAL PROTECTION AND RESTORATION AUTHORITY
150 TERRACE AVENUE
BATON ROUGE, LOUISIANA 70802

DESIGNED BY: A. TAYLOR, P.E. 041999

CAMINADA HEADLAND BACK BARRIER MARSH CREATION PROJECT

STATE PROJECT NUMBER: BA-0171


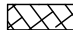


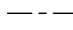




APPROVED BY: S. HAYNES, P.E.

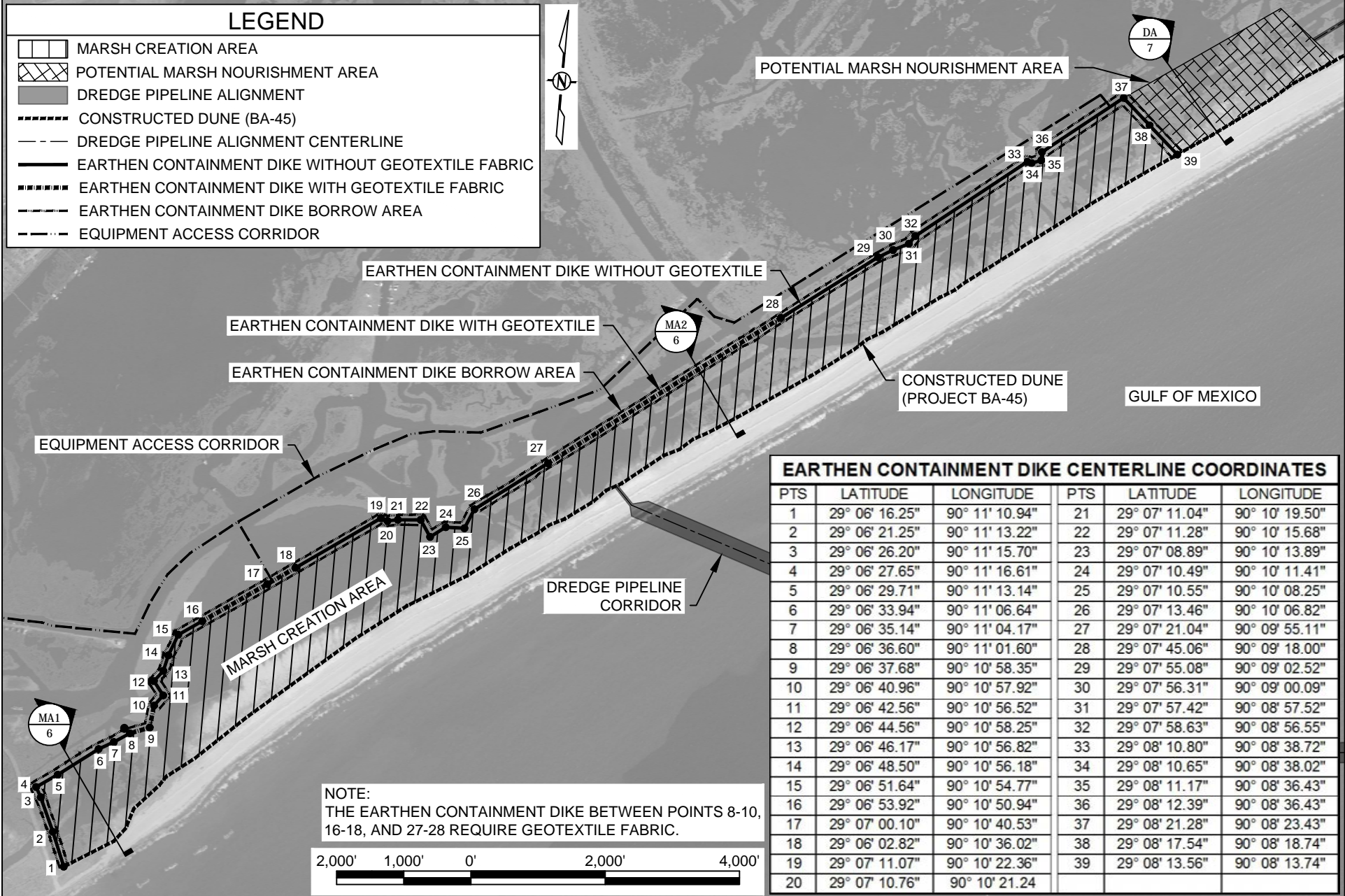
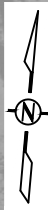
BORROW AREA LAYOUT

DATE: JUNE 2018

SHEET 3 OF 10

LEGEND

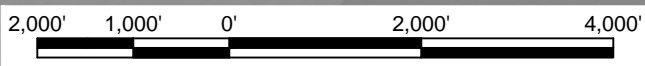
-  MARSH CREATION AREA
-  POTENTIAL MARSH NOURISHMENT AREA
-  DREDGE PIPELINE ALIGNMENT
-  CONSTRUCTED DUNE (BA-45)
-  DREDGE PIPELINE ALIGNMENT CENTERLINE
-  EARTHEN CONTAINMENT DIKE WITHOUT GEOTEXTILE FABRIC
-  EARTHEN CONTAINMENT DIKE WITH GEOTEXTILE FABRIC
-  EARTHEN CONTAINMENT DIKE BORROW AREA
-  EQUIPMENT ACCESS CORRIDOR



EARTHEN CONTAINMENT DIKE CENTERLINE COORDINATES

PTS	LATITUDE	LONGITUDE	PTS	LATITUDE	LONGITUDE
1	29° 06' 16.25"	90° 11' 10.94"	21	29° 07' 11.04"	90° 10' 19.50"
2	29° 06' 21.25"	90° 11' 13.22"	22	29° 07' 11.28"	90° 10' 15.68"
3	29° 06' 26.20"	90° 11' 15.70"	23	29° 07' 08.89"	90° 10' 13.89"
4	29° 06' 27.65"	90° 11' 16.61"	24	29° 07' 10.49"	90° 10' 11.41"
5	29° 06' 29.71"	90° 11' 13.14"	25	29° 07' 10.55"	90° 10' 08.25"
6	29° 06' 33.94"	90° 11' 06.64"	26	29° 07' 13.46"	90° 10' 06.82"
7	29° 06' 35.14"	90° 11' 04.17"	27	29° 07' 21.04"	90° 09' 55.11"
8	29° 06' 36.60"	90° 11' 01.60"	28	29° 07' 45.06"	90° 09' 18.00"
9	29° 06' 37.68"	90° 10' 58.35"	29	29° 07' 55.08"	90° 09' 02.52"
10	29° 06' 40.96"	90° 10' 57.92"	30	29° 07' 56.31"	90° 09' 00.09"
11	29° 06' 42.56"	90° 10' 56.52"	31	29° 07' 57.42"	90° 08' 57.52"
12	29° 06' 44.56"	90° 10' 58.25"	32	29° 07' 58.63"	90° 08' 56.55"
13	29° 06' 46.17"	90° 10' 56.82"	33	29° 08' 10.80"	90° 08' 38.72"
14	29° 06' 48.50"	90° 10' 56.18"	34	29° 08' 10.65"	90° 08' 38.02"
15	29° 06' 51.64"	90° 10' 54.77"	35	29° 08' 11.17"	90° 08' 36.43"
16	29° 06' 53.92"	90° 10' 50.94"	36	29° 08' 12.39"	90° 08' 36.43"
17	29° 07' 00.10"	90° 10' 40.53"	37	29° 08' 21.28"	90° 08' 23.43"
18	29° 06' 02.82"	90° 10' 36.02"	38	29° 08' 17.54"	90° 08' 18.74"
19	29° 07' 11.07"	90° 10' 22.36"	39	29° 08' 13.56"	90° 08' 13.74"
20	29° 07' 10.76"	90° 10' 21.24"			

NOTE:
THE EARTHEN CONTAINMENT DIKE BETWEEN POINTS 8-10, 16-18, AND 27-28 REQUIRE GEOTEXTILE FABRIC.



APPLICATION BY:
COASTAL PROTECTION & RESTORATION AUTHORITY
P.O. BOX 44027
BATON ROUGE, LA 70804

DRAWN BY: K. CANTU

COASTAL PROTECTION AND RESTORATION AUTHORITY
150 TERRACE AVENUE
BATON ROUGE, LOUISIANA 70802

DESIGNED BY: A. TAYLOR, P.E. 041999

CAMINADA HEADLAND BACK BARRIER MARSH CREATION PROJECT

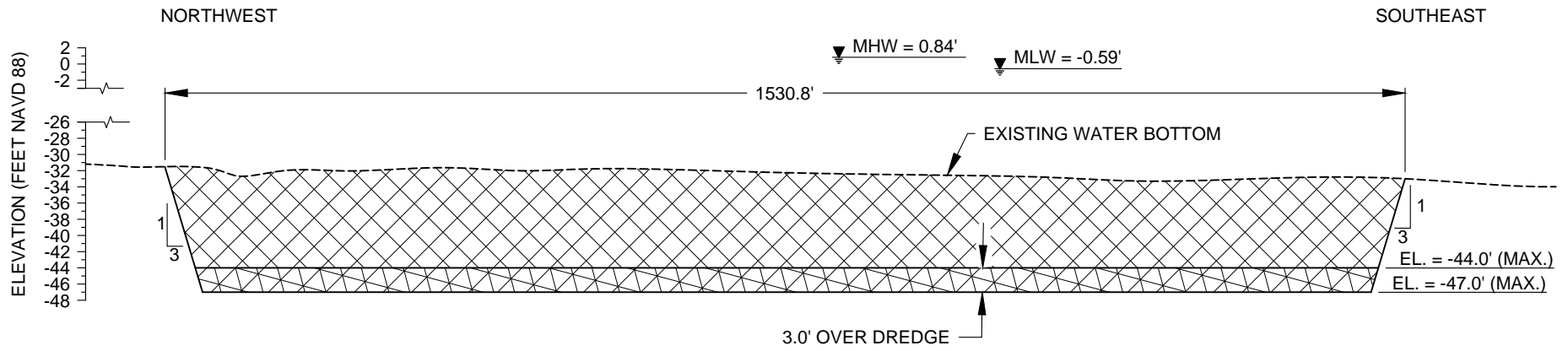
STATE PROJECT NUMBER: BA-0171

APPROVED BY: S. HAYNES, P.E.

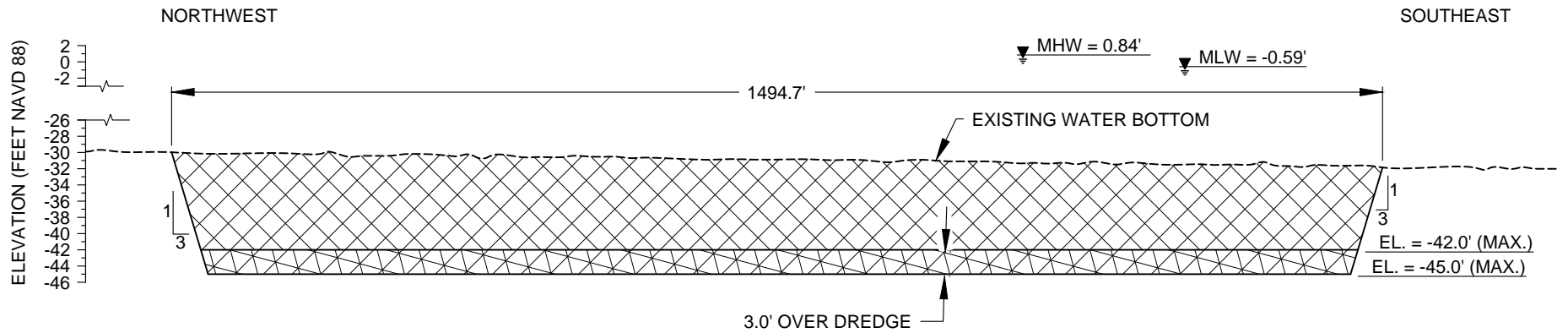
MARSH CREATION AREA LAYOUT

DATE: JUNE 2018

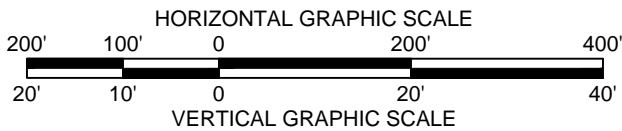
SHEET 4 OF 10

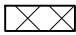

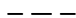


BA1
3 **TYPICAL SECTION - BORROW AREA**

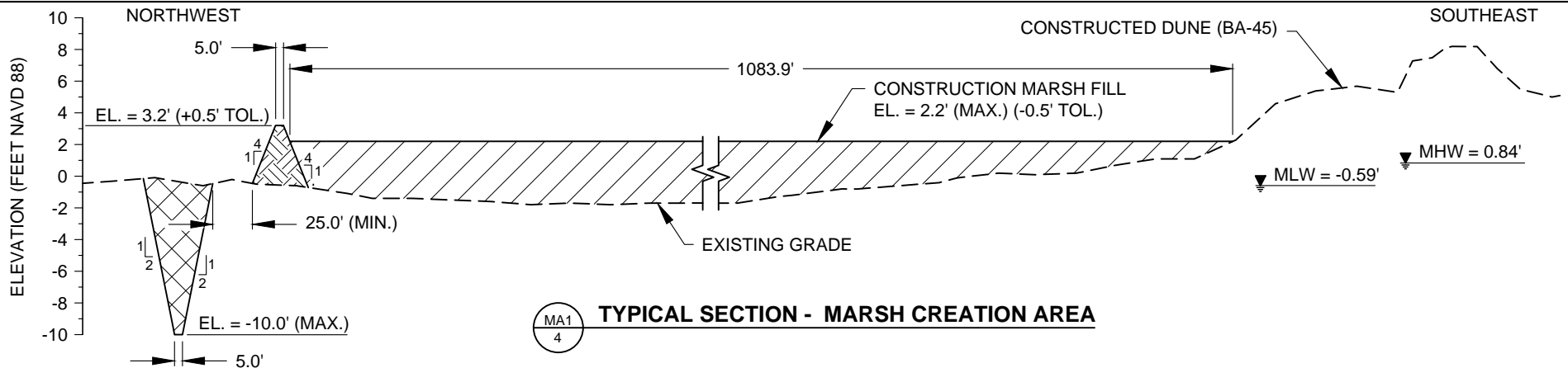


BA2
3 **TYPICAL SECTION - BORROW AREA**

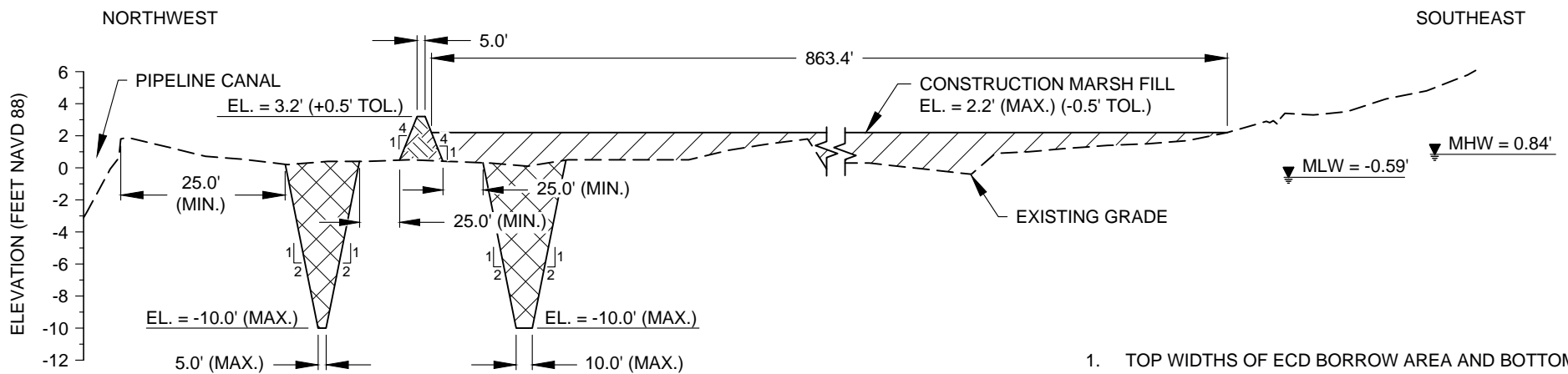


LEGEND	
	BORROW AREA
	OVER DREDGE
	EXISTING WATER BOTTOM

APPLICATION BY: COASTAL PROTECTION & RESTORATION AUTHORITY P.O. BOX 44027 BATON ROUGE, LA 70804	COASTAL PROTECTION AND RESTORATION AUTHORITY 150 TERRACE AVENUE BATON ROUGE, LOUISIANA 70802	CAMINADA HEADLAND BACK BARRIER MARSH CREATION PROJECT	BORROW AREA TYPICAL SECTIONS
DRAWN BY: K. CANTU	DESIGNED BY: A. TAYLOR, P.E. 041999	STATE PROJECT NUMBER: BA-0171	DATE: JUNE 2018
		APPROVED BY: S. HAYNES, P.E.	SHEET 5 OF 10



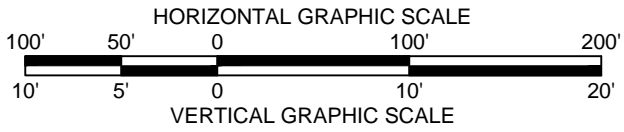
MA1
4 **TYPICAL SECTION - MARSH CREATION AREA**



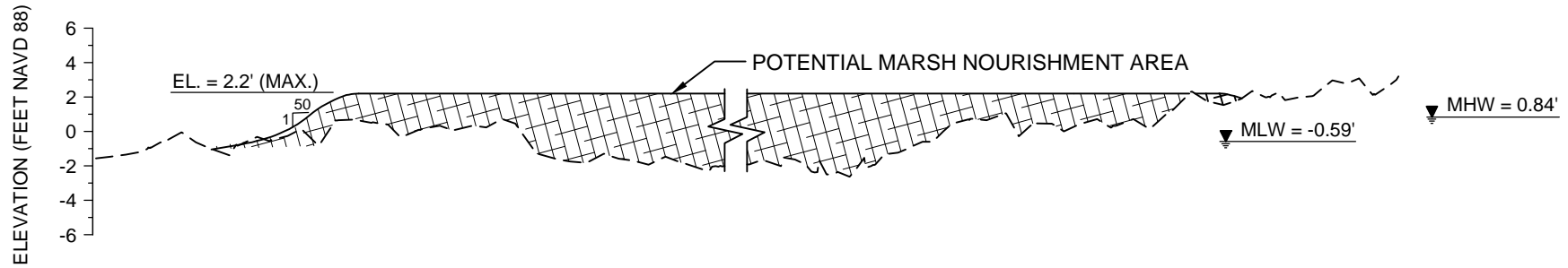
MA2
4 **TYPICAL SECTION - MARSH CREATION AREA**

1. TOP WIDTHS OF ECD BORROW AREA AND BOTTOM WIDTH OF ECD VARY DEPENDENT ON FIELD CONDITIONS.

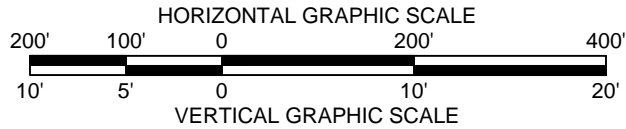
LEGEND	
	MARSH CREATION AREA
	EARTHEN CONTAINMENT DIKE
	EARTHEN CONTAINMENT DIKE BORROW AREA
	GEOTEXTILE FABRIC
	EXISTING GROUND



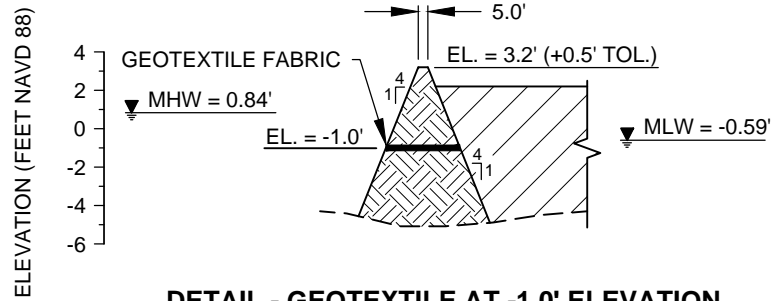
APPLICATION BY: COASTAL PROTECTION & RESTORATION AUTHORITY P.O. BOX 44027 BATON ROUGE, LA 70804	COASTAL PROTECTION AND RESTORATION AUTHORITY 150 TERRACE AVENUE BATON ROUGE, LOUISIANA 70802	CAMINADA HEADLAND BACK BARRIER MARSH CREATION PROJECT	MARSH CREATION AREA TYPICAL SECTIONS
		STATE PROJECT NUMBER: BA-0171	DATE: JUNE 2018
DRAWN BY: K. CANTU	DESIGNED BY: A. TAYLOR, P.E. 041999	APPROVED BY: S. HAYNES, P.E.	SHEET 6 OF 10



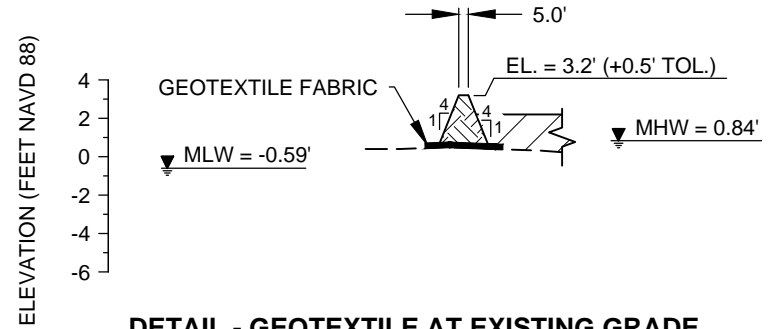
DA
4
TYPICAL SECTION - POTENTIAL MARSH NOURISHMENT AREA



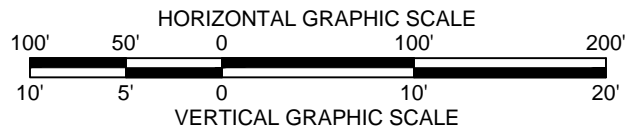
1. THE POTENTIAL MARSH NOURISHMENT AREA SHALL BE PRIMARILY USED FOR DECANTING WATER FROM THE MCA. NO CONSTRUCTION SHALL DIRECTLY OCCUR WITHIN THE THIS AREA.



DETAIL - GEOTEXTILE AT -1.0' ELEVATION



DETAIL - GEOTEXTILE AT EXISTING GRADE



LEGEND	
	POTENTIAL MARSH NOURISHMENT AREA
	MARSH CREATION FILL
	EARTHEN CONTAINMENT DIKE
	GEOTEXTILE FABRIC
	EXISTING GROUND

APPLICATION BY:
 COASTAL PROTECTION & RESTORATION AUTHORITY
 P.O. BOX 44027
 BATON ROUGE, LA 70804

COASTAL PROTECTION AND RESTORATION AUTHORITY
 150 TERRACE AVENUE
 BATON ROUGE, LOUISIANA 70802

CAMINADA HEADLAND BACK
 BARRIER MARSH CREATION PROJECT

POTENTIAL MARSH
 NOURISHMENT AREA
 TYPICAL SECTION AND
 GEOTEXTILE DETAILS

STATE PROJECT NUMBER: BA-0171

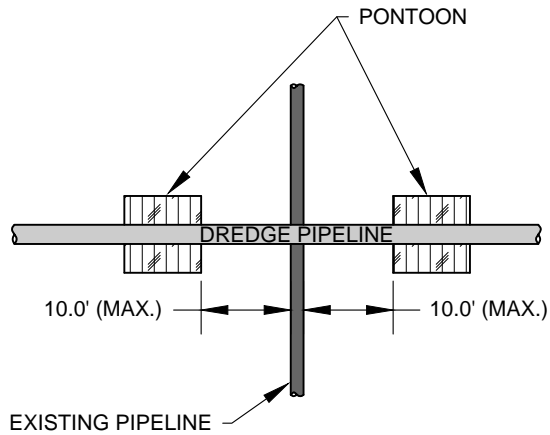
DATE: JUNE 2018

DRAWN BY: K. CANTU

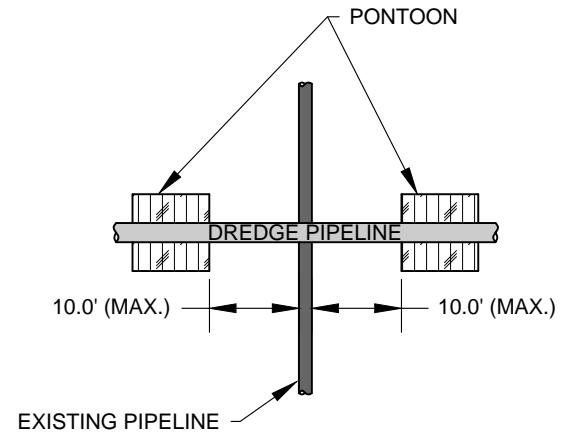
DESIGNED BY: A. TAYLOR, P.E. 041999

APPROVED BY: S. HAYNES, P.E.

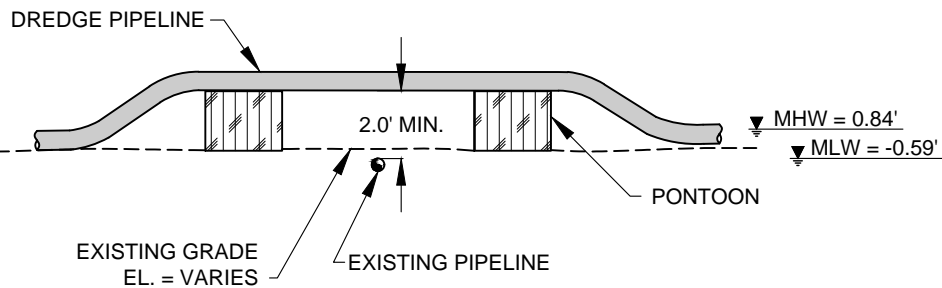
SHEET 7 OF 10



PLAN VIEW

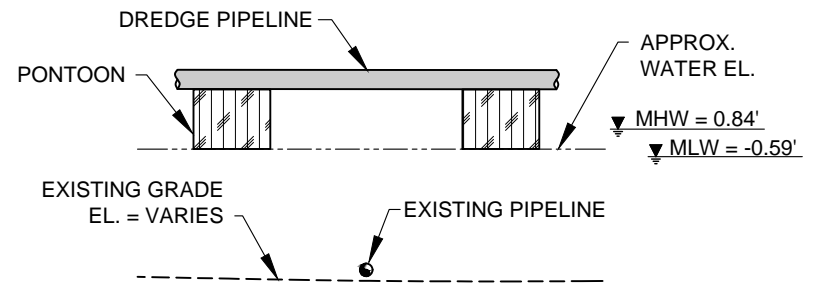


PLAN VIEW



SECTION VIEW

MARSH PIPELINE CROSSING DETAIL
N.T.S



SECTION VIEW

OFFSHORE PIPELINE CROSSING DETAIL
N.T.S

LEGEND	
	DREDGE PIPELINE
	PONTOON SUPPORT
	EXISTING GROUND

APPLICATION BY:
COASTAL PROTECTION & RESTORATION AUTHORITY
P.O. BOX 44027
BATON ROUGE, LA 70804

COASTAL PROTECTION AND RESTORATION AUTHORITY
150 TERRACE AVENUE
BATON ROUGE, LOUISIANA 70802

CAMINADA HEADLAND BACK BARRIER MARSH CREATION PROJECT

PIPELINE CROSSING DETAIL

STATE PROJECT NUMBER: BA-0171

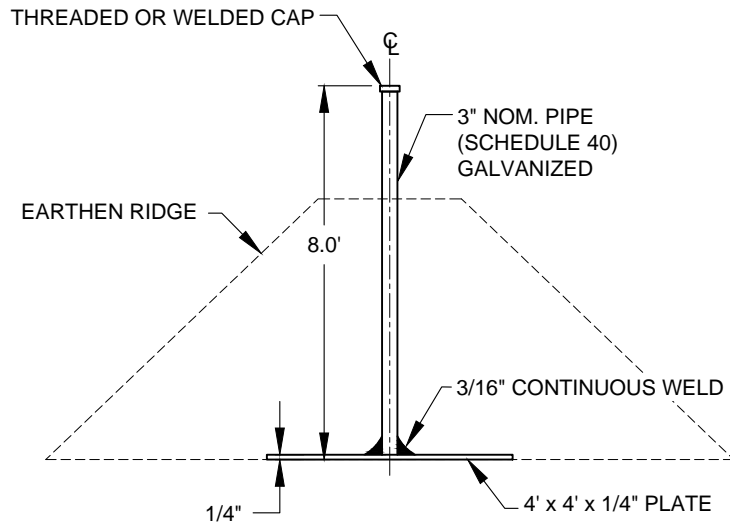
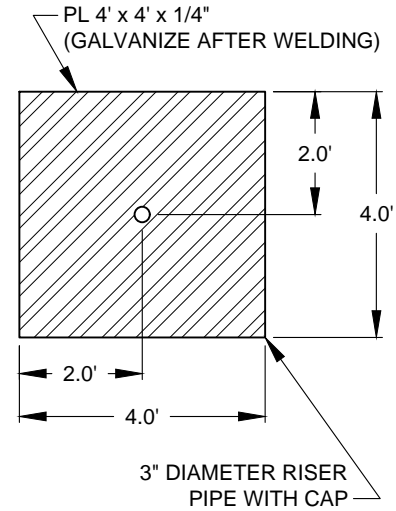
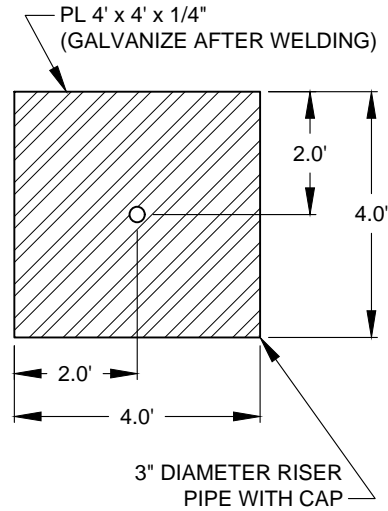
DATE: JUNE 2018

DRAWN BY: K. CANTU

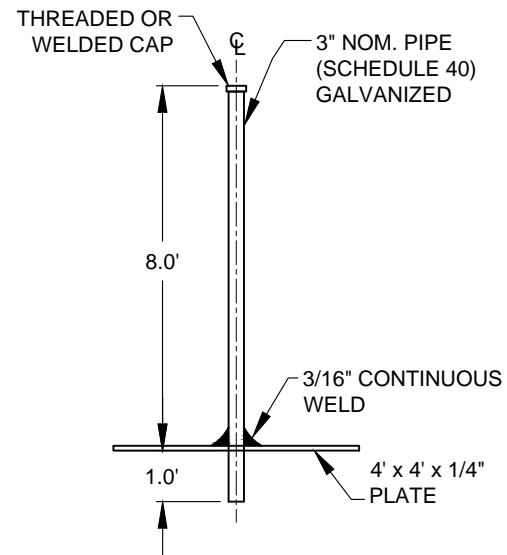
DESIGNED BY: A. TAYLOR, P.E. 041999

APPROVED BY: S. HAYNES, P.E.

SHEET 8 OF 10



**EARTHEN RIDGE
SETTLEMENT PLATE**
NOT TO SCALE



**MARSH CREATION
SETTLEMENT PLATE**
NOT TO SCALE

APPLICATION BY:
COASTAL PROTECTION & RESTORATION AUTHORITY
P.O. BOX 44027
BATON ROUGE, LA 70804

**COASTAL PROTECTION AND
RESTORATION AUTHORITY**
150 TERRACE AVENUE
BATON ROUGE, LOUISIANA 70802

CAMINADA HEADLAND BACK
BARRIER MARSH CREATION PROJECT

SETTLEMENT PLATE
DETAILS

STATE PROJECT NUMBER: BA-0171

DATE: JUNE 2018

DRAWN BY: K. CANTU

DESIGNED BY: A. TAYLOR, P.E. 041999

APPROVED BY: S. HAYNES, P.E.

SHEET 9 OF 10

1. AS-BUILT DRAWINGS AND/OR PLATS SHALL HAVE WRITTEN ON THEM THE DATE OF COMPLETION OF SAID ACTIVITIES AND SHALL BE SUBMITTED TO THE LOUISIANA DEPARTMENT OF NATURAL RESOURCES, OFFICE OF COASTAL MANAGEMENT, P.O. BOX 44487, BATON ROUGE, LA 70804-4487 WITHIN 30 DAYS FOLLOWING PROJECT COMPLETION.
2. ALL STRUCTURES BUILT UNDER THE AUTHORIZATION AND CONDITIONS OF THIS PERMIT SHALL BE REMOVED FROM THE SITE WITHIN 120 DAYS OF ABANDONMENT OF THE FACILITIES FOR THE HEREIN PERMITTED USE, OR WHEN THESE STRUCTURES FALL INTO A STATE OF DISREPAIR SUCH THAT THEY CAN NO LONGER FUNCTION AS INTENDED. THIS CONDITION DOES NOT PRECLUDE THE NECESSITY FOR REVISING THE CURRENT PERMIT OR OBTAINING A SEPARATE COASTAL USE PERMIT, SHOULD ONE BE REQUIRED, FOR SUCH REMOVAL ACTIVITIES.
3. STRUCTURES MUST ALSO BE MARKED/LIGHTED IN ACCORDANCE WITH U.S. COAST GUARD REGULATIONS.
4. IN ORDER TO ENSURE THE SAFETY OF ALL PARTIES, THE PERMITTEE SHALL CONTACT THE LOUISIANA ONE CALL SYSTEM (1-800-272-3020) A MINIMUM OF 48 HOURS PRIOR TO THE COMMENCEMENT OF ANY EXCAVATION (DIGGING, DREDGING, JETTING, ETC.) OR DEMOLITION ACTIVITY.
5. TRACKED EQUIPMENT SHALL HAVE A MAXIMUM DIMENSION OF 34 FEET LONG AND 15 FEET WIDE.
6. THE CONTRACTOR SHALL DECANT SUPERNATANT WATER INTO THE POTENTIAL MARSH NOURISHMENT AREA USING STRUCTURES SUCH AS WEIRS OR SPILL BOXES. THE LOSS OF FINE-GRAINED MATERIAL MAY BE FURTHER REDUCED THROUGH THE USE OF INTERNAL TRAINING DIKES, HAY BALES, OR SILT FENCES.

APPLICATION BY: COASTAL PROTECTION & RESTORATION AUTHORITY P.O. BOX 44027 BATON ROUGE, LA 70804	<p style="text-align: center;">COASTAL PROTECTION AND RESTORATION AUTHORITY 150 TERRACE AVENUE BATON ROUGE, LOUISIANA 70802</p>	<p style="text-align: center;">CAMINADA HEADLAND BACK BARRIER MARSH CREATION PROJECT</p>	<p style="text-align: center;">NOTES</p>
DRAWN BY: K. CANTU			
DRAWN BY: K. CANTU	DESIGNED BY: A. TAYLOR, P.E. 041999	APPROVED BY: S. HAYNES, P.E.	SHEET 10 OF 10