



DEPARTMENT OF THE ARMY
U.S. ARMY CORPS OF ENGINEERS, NEW ORLEANS DISTRICT
7400 LEAKE AVE
NEW ORLEANS, LA 70118-3651

May 9, 2022

Regulatory Division
Central Evaluation Branch

Project Manager
S. Gail Gainey
(504) 862-1545
Sandra.g.gainey@usace.army.mil

SUBJECT: MVN-2014-00284-CG

PUBLIC NOTICE

Interested parties are hereby notified that a permit application has been received by the New Orleans District of the US Army Corps of Engineers pursuant to: [X] Section 10 of the Rivers and Harbors Act of March 3, 1899 (30 Stat. 1151; 33 USC 403); [X] Section 404 of the Clean Water Act (86 Stat. 816; 33 USC 1344), and/or [] Section 14 of the Rivers and Harbors Act of 1899 (33 U.S.C. Section 408).

PERMIT MODIFICATION FOR ADDITIONAL STRUCTURES AT AN EXISTING DOCK FACILITY IN THE MISSISSIPPI RIVER LDB RM 184 IN ASCENSION PARISH

NAME OF APPLICANT: IMTT Geismar, c/o Duplantis Design Group, PC, 16564 Brewster Road, Suite 101, Covington, LA 70433.

LOCATION OF WORK: In the Mississippi River, Left Descending Bank, River Mile 184, at 8122 Highway 75 in Geismar, Louisiana, Section 14, T10S-R2E of Ascension Parish within the Mississippi Basin in hydrologic unit (HUC 08070100), as shown on the attached drawings (Latitude 30.184701 N, Longitude -91.009228 W).

CHARACTER OF WORK: The applicant has requested a modification to the Department of the Army authorization MVN-2014-00284-CG (dated September 28, 2015, modified on February 24, 2017 and extended for time July 21, 2018) to clear, grade, and deposit fill material to construct and maintain an expansion of the existing structures at the IMTT-Geismar facility to include a new 5,500 LF pipe rack, support infrastructure, and dock bridge to span Hwy 75. This project site is adjacent to and abutting the existing BASF facility (authorized as LMNOD-SP SE Mississippi River 370, MVN-1997-00005-CO). Approximately 2,780 cubic yards of fill material would be hauled in and deposited to achieve required grade elevation requirements. The proposed project is situated on an approximately 24-acre tract. To complete the expansion, approx. 2.75 acres of jurisdictional wetlands, 0.21 acre of waters of the US, and 0.17 acre of traditionally navigable waters would be directly impacted.

The applicant proposes to avoid additional direct impacts and minimize secondary impacts to the maximum extent practicable by avoiding 1.31 acres of wetlands and proposing only temporary impacts to approx. 1.34 acres of the wetlands impacted in the batture, by utilizing best management

practices for erosion and siltation control during and after the construction phase of the project, and by limiting the construction activity to the designated construction areas onsite. As compensation for unavoidable wetland impacts, the applicant proposes to mitigate in-kind wetland credits from a Corps approved mitigation bank located in the watershed

The comment period for the Department of Army will close in **30 days** from the date of this public notice. Written comments, including suggestions for modifications or objections to the proposed work, stating reasons thereof, are being solicited from anyone having interest in this permit and must be mailed so as to be received before or by the last day of the comment period. Letters and/or comments concerning the subject permit application must reference the applicant's name and the Permit Application Number and can be preferably emailed to the Corps of Engineers project manager listed above or forwarded to the Corps of Engineers at the address above **ATTENTION: REGULATORY DIVISION, RGC, S. Gail Gainey**. This public notice is also available for review online at <https://go.usa.gov/xennJ>.

Corps of Engineers Permit Criteria

The decision whether to issue a permit will be based on an evaluation of the probable impacts, including cumulative impacts of the proposed activity on the public interest. That decision will reflect the national concern for both protection and utilization of important resources. The benefit which reasonably may be expected to accrue from the proposal must be balanced against its reasonably foreseeable detriments. All factors which may be relevant to the proposal will be considered including the cumulative effects thereof; among those are conservation, economics, aesthetics, general environmental concerns, wetlands, historic properties, fish and wildlife values, flood hazards, floodplain values, land use, navigation, shoreline erosion and accretion, recreation, water supply and conservation, water quality, energy needs, safety, food and fiber production, mineral needs, considerations of property ownership and, in general, the needs and welfare of the people.

The U.S. Army Corps of Engineers is soliciting comments from the public, federal, state, and local agencies and officials, Indian Tribes, and other interested parties in order to consider and evaluate the impacts of this proposed activity. Any comments received will be considered by the U.S. Army Corps of Engineers to determine whether to make, modify, condition, or deny a permit for this proposal. To make this decision, comments are used to assess impacts on endangered species, historic properties, water quality, general environmental effects, and other public interest factors listed above. Comments are used in the preparation of an Environmental Assessment and/or an Environmental Impact Statement pursuant to the National Environmental Policy Act. Comments are also used to determine the need for a public hearing and to determine the overall public interest of the proposed activity.

The New Orleans District is unaware of properties listed on the National Register of Historic Places near the proposed work. The possibility exists that the proposed work may damage or destroy presently unknown archeological, scientific, prehistorical, historical sites, or data. Copies of this notice are made available to the State Archeologist and the State Historic Preservation Officer.

Our initial finding is that the proposed work would neither affect any species listed as endangered by the U.S. Departments of Interior or Commerce, nor affect any habitat designated as critical to the survival and recovery of any endangered species.

The New Orleans District has determined that the proposed project is located in waters known to be utilized by the West Indian Manatee (*Trichechus manatus*). Utilizing the Information & Planning Consultation for Endangered Species in Louisiana protocol, dated January 27, 2020 between the U.S. Army Corps of Engineers, New Orleans and U.S. Fish and Wildlife Service, Ecological Services Office, the Corps has determined that with the inclusion of the Standard Manatee Conditions for In-Water Activities, proposed work is not likely to adversely affect the West Indian Manatee.

This notice initiates the Essential Fish Habitat (EFH) consultation requirements of the Magnuson-Stevens Fishery Conservation and Management Act. The applicant's proposal would result in the destruction or alteration of 2 acres of EFH utilized by various life stages of red drum and penaeid shrimp. Our initial determination is that the proposed action would not have a substantial adverse impact on EFH or federally managed fisheries in the Gulf of Mexico. Our final determination relative to project impacts and the need for mitigation measures is subject to review by and coordination with the National Marine Fisheries Service.

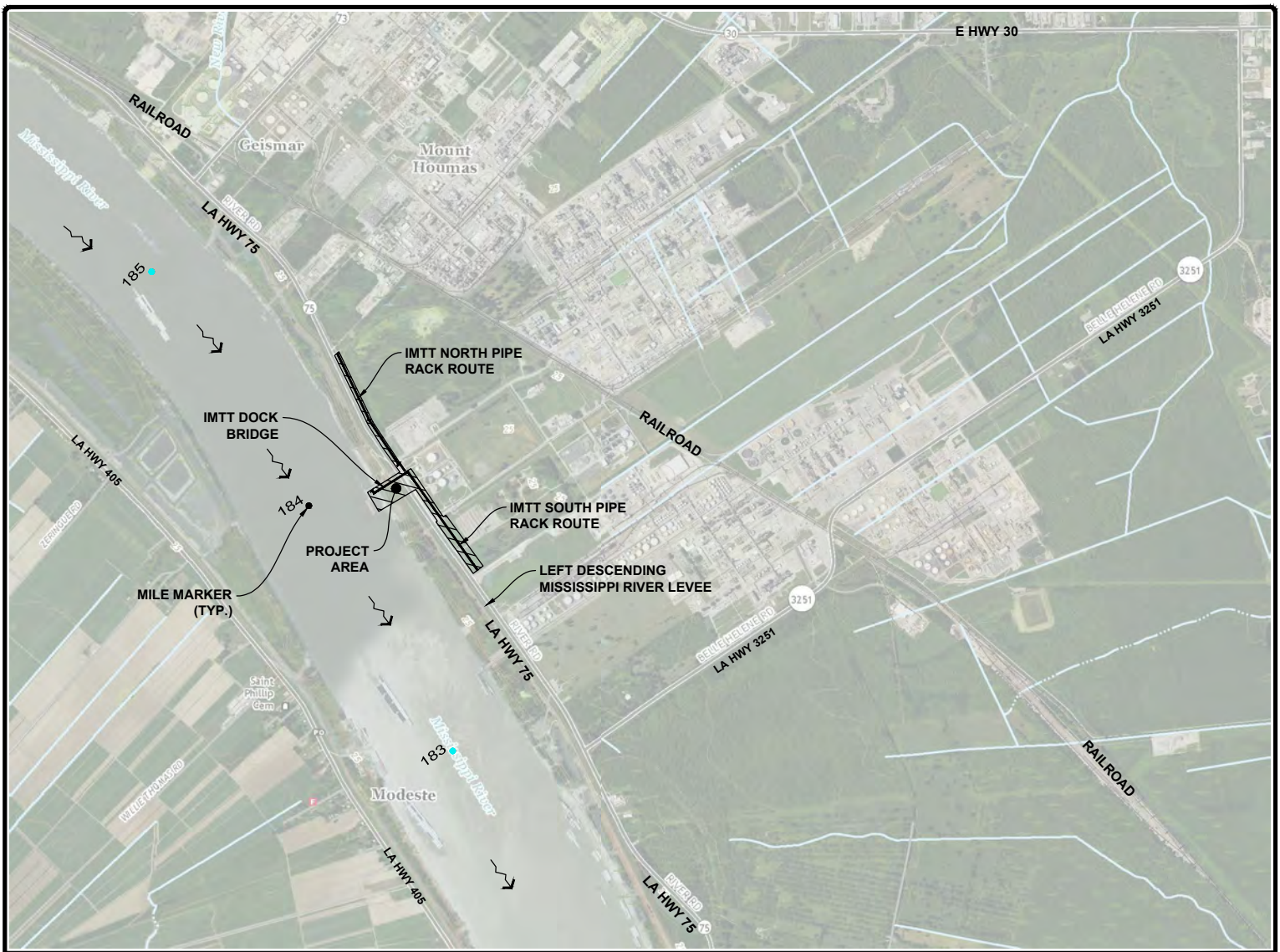
If the proposed work involves deposits of dredged or fill material into navigable waters, the evaluation of the probable impacts will include the application of guidelines established by the Administrator of the Environmental Protection Agency. Also, a certification that the proposed activity will not violate applicable water quality standards will be required from the Department of Environmental Quality, Office of Environmental Services, before a permit is issued.

Any person may request, in writing, within the comment period specified in this notice, that a public hearing be held to consider this application. Requests for public hearings shall state, with particularity, the reasons for holding a public hearing. You are requested to communicate the information contained in this notice to any other parties whom you deem likely to have interest in the matter.

The applicant has certified that the proposed activity described in the application complies with and will be conducted in a manner that is consistent with the Louisiana Coastal Resources Program (Louisiana Coastal Zone Application P20211193). The Department of the Army permit will not be issued unless the applicant received approval or a waiver of the Coastal Use Permit by the Department of Natural Resources.

JOHN M. HERMAN
Chief, Central Evaluation Branch
Regulatory Division

Enclosures



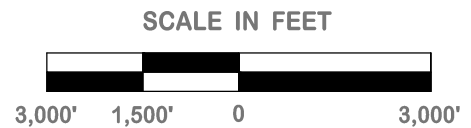
GENERAL NOTES:

1. PRIOR TO COMMENCEMENT OF WORK, THE CONTRACTOR SHALL ENSURE ALL APPLICABLE PERMITS ARE SECURED & THE LOUISIANA ONE CALL SYSTEM HAS BEEN CONTACTED.
2. ALL ELEVATIONS REFER TO NAVD 88 UNLESS NOTED OTHERWISE.
3. MULTIPLE DESIGNERS ARE RESPONSIBLE FOR THIS WORK, AS FOLLOWS:
 - (SHEETS 12-38) PROPOSED IMPROVEMENTS FOR IMTT NORTH PIPE RACK DESIGNED BY HGA UNDER SUPERVISION OF ELIAS HENRI HAGE (LA PE #28545).
 - (SHEETS 39-71) PROPOSED IMPROVEMENTS FOR IMTT SOUTH PIPE RACK & DOCK BRIDGE DESIGNED BY CDI UNDER SUPERVISION OF MARK HUGHES (LA PE #30262).
4. REQUEST FOR PRELIMINARY JURISDICTION DETERMINATION CURRENTLY UNDER REVIEW BY THE USACE BASED ON WETLAND DATA REPORT SUBMITTED BY PROVIDENCE ENGINEERING, DATED DECEMBER 17, 2021.



ASCENSION PARISH
 LATITUDE: 30° 11' 4.92" N
 LONGITUDE: 91° 0' 33.2244" W

**VICINITY MAP,
 AREA MAP &
 GENERAL NOTES**



DRAWN GJP
CHECKED EMG
ISSUE DATE 12-22-21
PROJECT NO. 21-801

IMTT DOCK BRIDGE & PIPE RACK EXTENSION
GEISMAR, LOUISIANA ASCENSION PARISH
FOR IMTT-GEISMAR

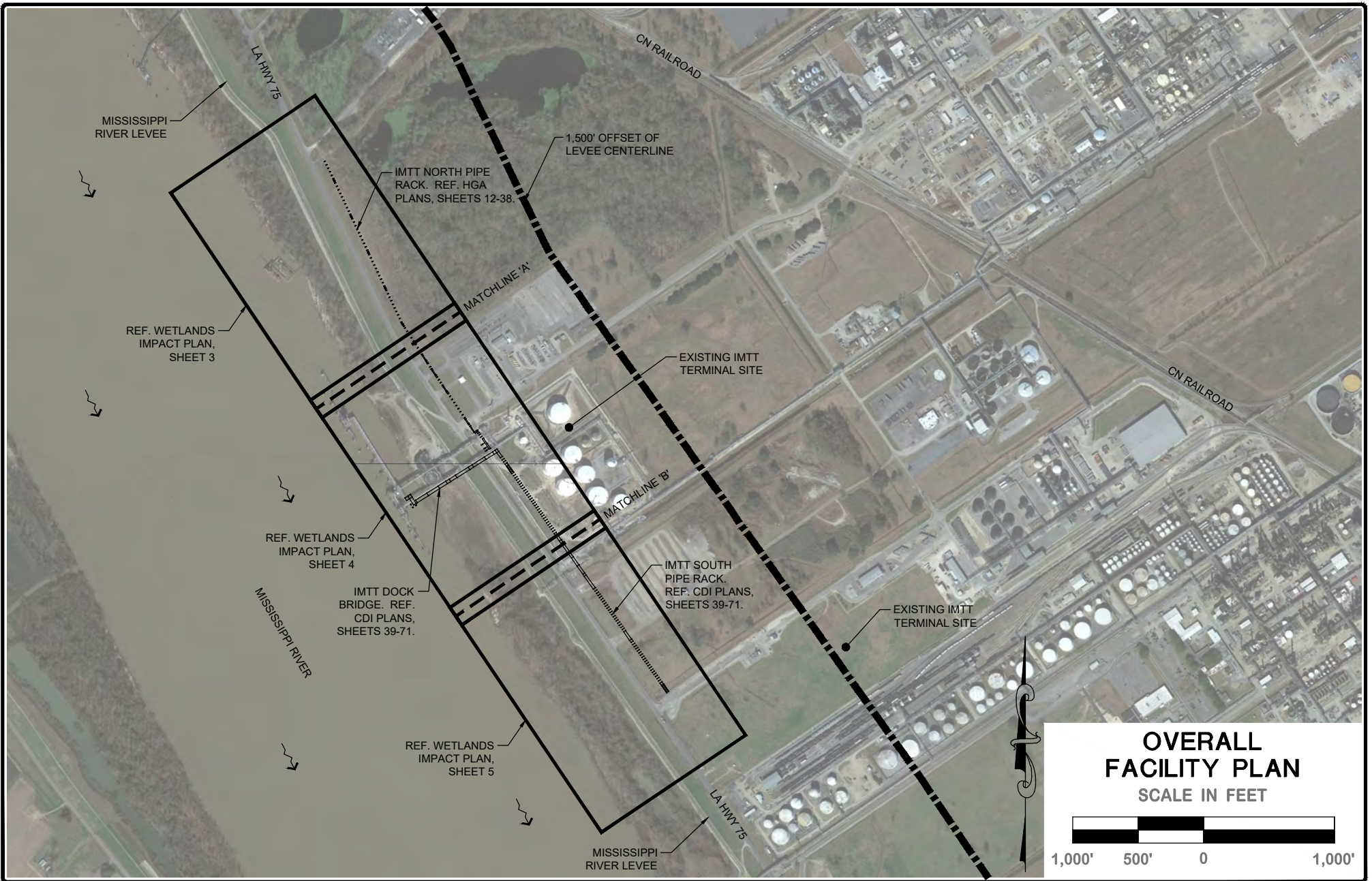
REVISION	BY

PRELIMINARY
FOR PERMIT PURPOSES ONLY

Kainen T. LeBlanc
 LA PE #34314
 Duplantis Design Group, P.C.

DDG
 DUPLANTIS DESIGN GROUP

314 E. Bayou Road
 Thibodaux, LA 70301
 Office: 985.447.0090
 Fax: 985.447.7009
 www.ddgpc.com



DRAWN GJP
CHECKED EMG
ISSUE DATE 12-22-21
PROJECT NO. 21-801

IMTT DOCK BRIDGE & PIPE RACK EXTENSION

GEISMAR, LOUISIANA
ASCENSION PARISH

FOR IMTT-GEISMAR

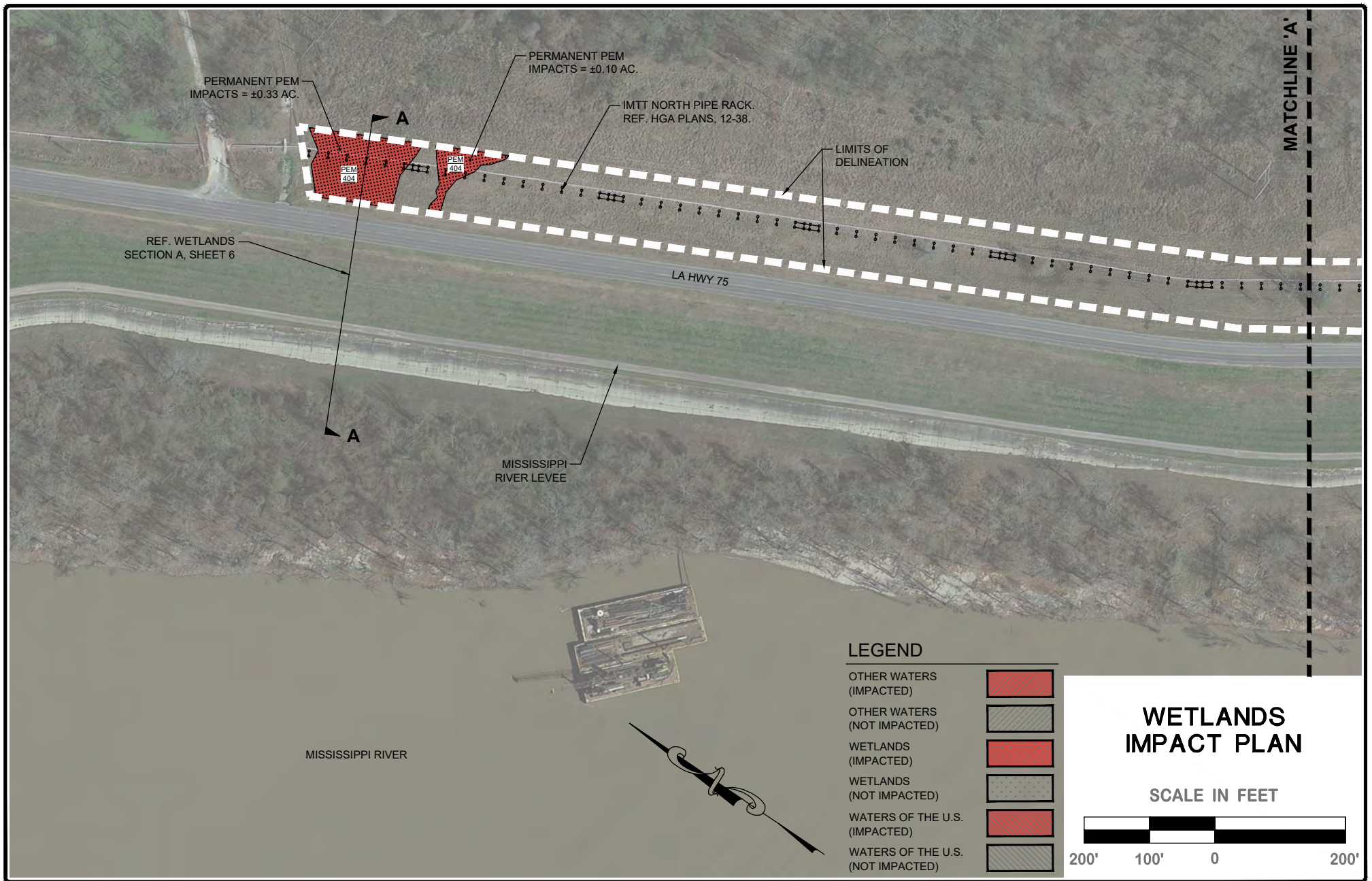
REVISION	BY

PRELIMINARY
FOR PERMIT PURPOSES ONLY

Kainen T. LeBlanc
LA PE #34314
Duplantis Design Group, P.C.

314 E. Bayou Road
Thibodaux, LA 70301

Office: 985.447.0090
Fax: 985.447.7009
www.ddgpc.com



DRAWN GJP
CHECKED EMG
ISSUE DATE 12-22-21
PROJECT NO. 21-801

IMTT DOCK BRIDGE & PIPE RACK EXTENSION

GEISMAR, LOUISIANA
ASCENSION PARISH

FOR IMTT-GEISMAR

REVISION	BY

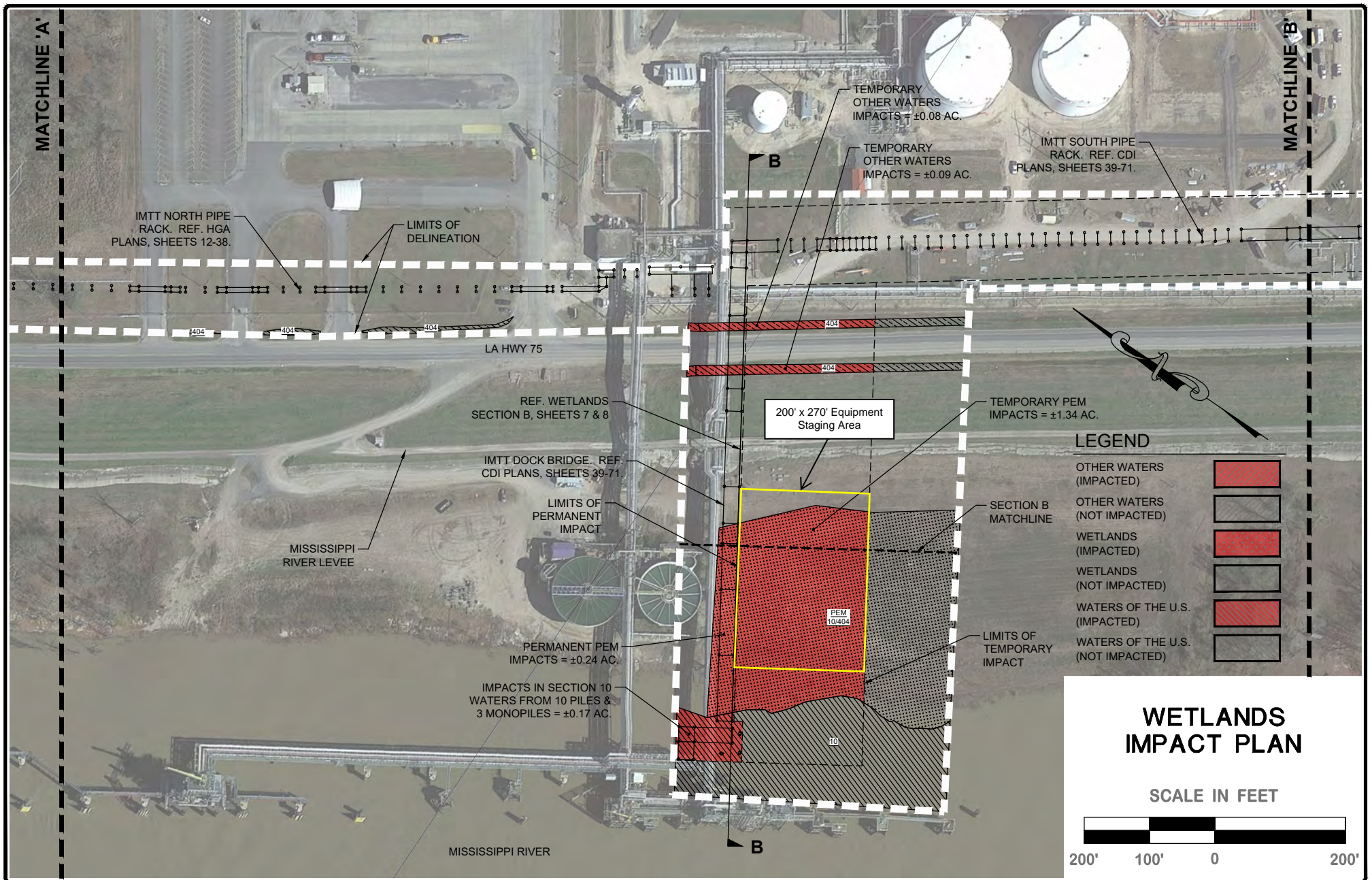
PRELIMINARY
FOR PERMIT PURPOSES ONLY

Kainen T. LeBlanc
LA PE #34314
Duplantis Design Group, P.C.

314 E. Bayou Road
Thibodaux, LA 70301

Office: 985.447.0090
Fax: 985.447.7009

www.ddgpc.com



LEGEND

OTHER WATERS (IMPACTED)	
OTHER WATERS (NOT IMPACTED)	
WETLANDS (IMPACTED)	
WETLANDS (NOT IMPACTED)	
WATERS OF THE U.S. (IMPACTED)	
WATERS OF THE U.S. (NOT IMPACTED)	

**WETLANDS
IMPACT PLAN**

SCALE IN FEET

DRAWN GJP
CHECKED EMG
ISSUE DATE 12-22-21
PROJECT NO. 21-801

IMTT DOCK BRIDGE & PIPE RACK EXTENSION

GEISMAR, LOUISIANA
ASCENSION PARISH

FOR IMTT-GEISMAR

REVISION	BY

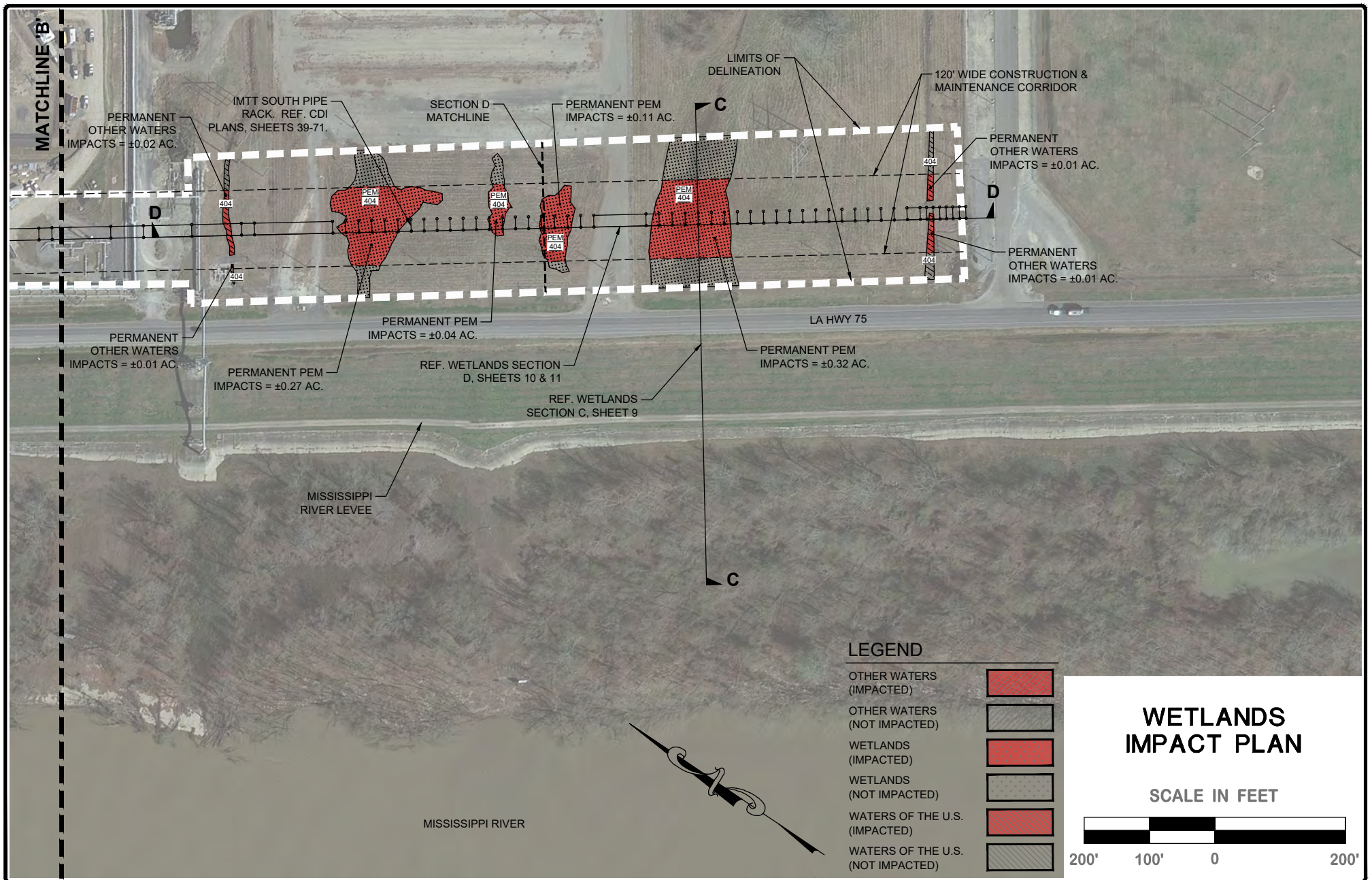
PRELIMINARY
FOR PERMIT PURPOSES ONLY

Kainen T. LeBlanc
LA PE #34314
Duplantis Design Group, P.C.

314 E. Bayou Road
Thibodaux, LA 70301

Office: 985.447.0090
Fax: 985.447.7009

www.ddgpc.com



DRAWN GJP
CHECKED EMG
ISSUE DATE 12-22-21
PROJECT NO. 21-801

IMTT DOCK BRIDGE & PIPE RACK EXTENSION

GEISMAR, LOUISIANA ASCENSION PARISH

FOR IMTT-GEISMAR

REVISION	BY

PRELIMINARY

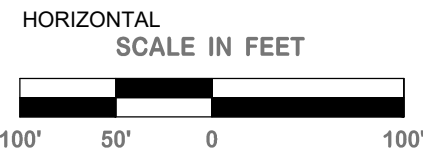
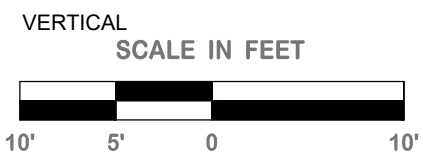
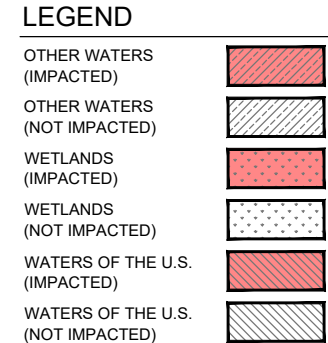
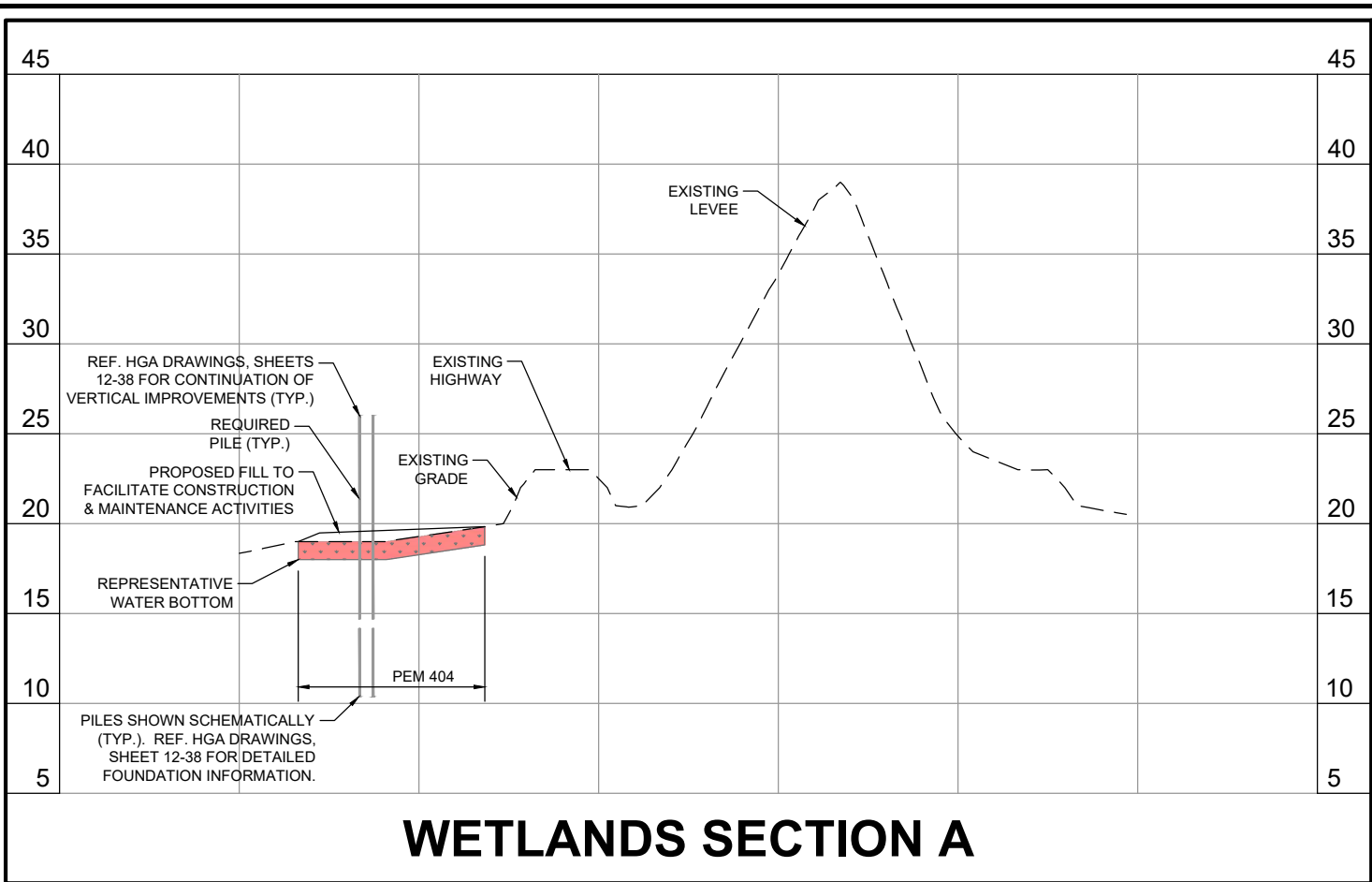
FOR PERMIT PURPOSES ONLY

Kainen T. LeBlanc
LA PE #34314
Duplantis Design Group, P.C.

314 E. Bayou Road
Thibodaux, LA 70301

Office: 985.447.0090
Fax: 985.447.7009

www.ddgpc.com



* SECTION LOCATION DENOTED ON SHEET 3

WETLANDS IMPACT CROSS SECTIONS

DRAWN GJP
CHECKED EMG
ISSUE DATE 12-22-21
PROJECT NO. 21-801

IMTT DOCK BRIDGE & PIPE RACK EXTENSION

GEISMAR, LOUISIANA ASCENSION PARISH

FOR IMTT-GEISMAR

REVISION	BY

PRELIMINARY

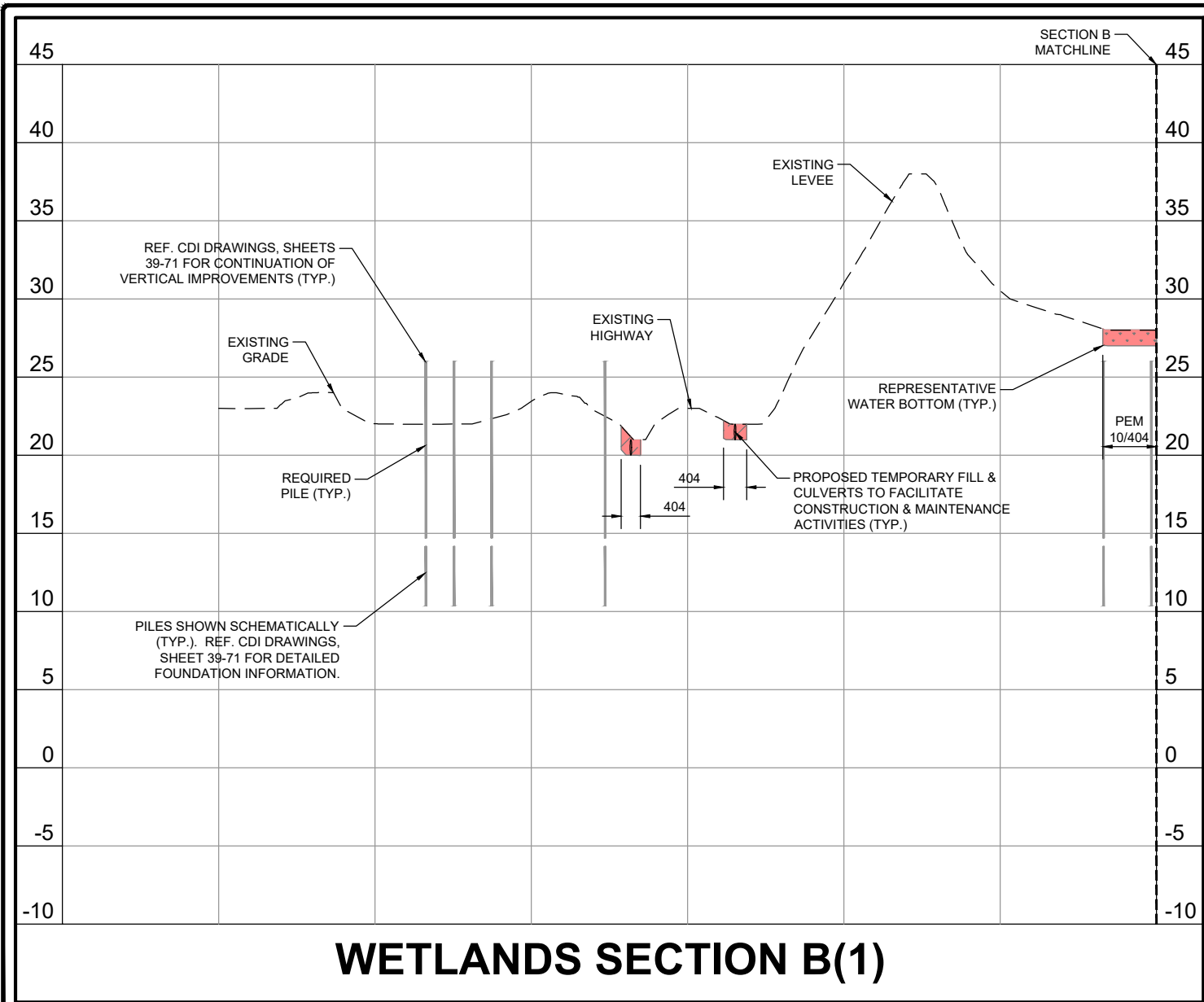
FOR PERMIT PURPOSES ONLY

Kainen T. LeBlanc
LA PE #34314
Duplantis Design Group, P.C.

314 E. Bayou Road
Thibodaux, LA 70301

Office: 985.447.0090
Fax: 985.447.7009

www.ddgpc.com

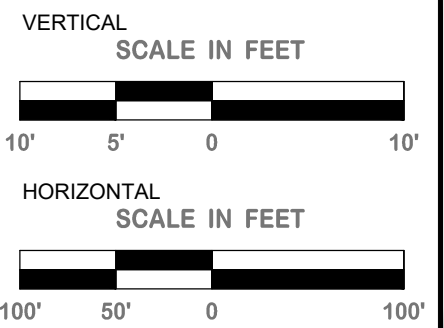


LEGEND

- OTHER WATERS (IMPACTED)
- OTHER WATERS (NOT IMPACTED)
- WETLANDS (IMPACTED)
- WETLANDS (NOT IMPACTED)
- WATERS OF THE U.S. (IMPACTED)
- WATERS OF THE U.S. (NOT IMPACTED)

* SECTION LOCATION DENOTED ON SHEET 4

WETLANDS IMPACT CROSS SECTIONS



DRAWN GJP
CHECKED EMG
ISSUE DATE 12-22-21
PROJECT NO. 21-801

IMTT DOCK BRIDGE & PIPE RACK EXTENSION

GEISMAR, LOUISIANA
ASCENSION PARISH

FOR IMTT-GEISMAR

REVISION	BY

PRELIMINARY

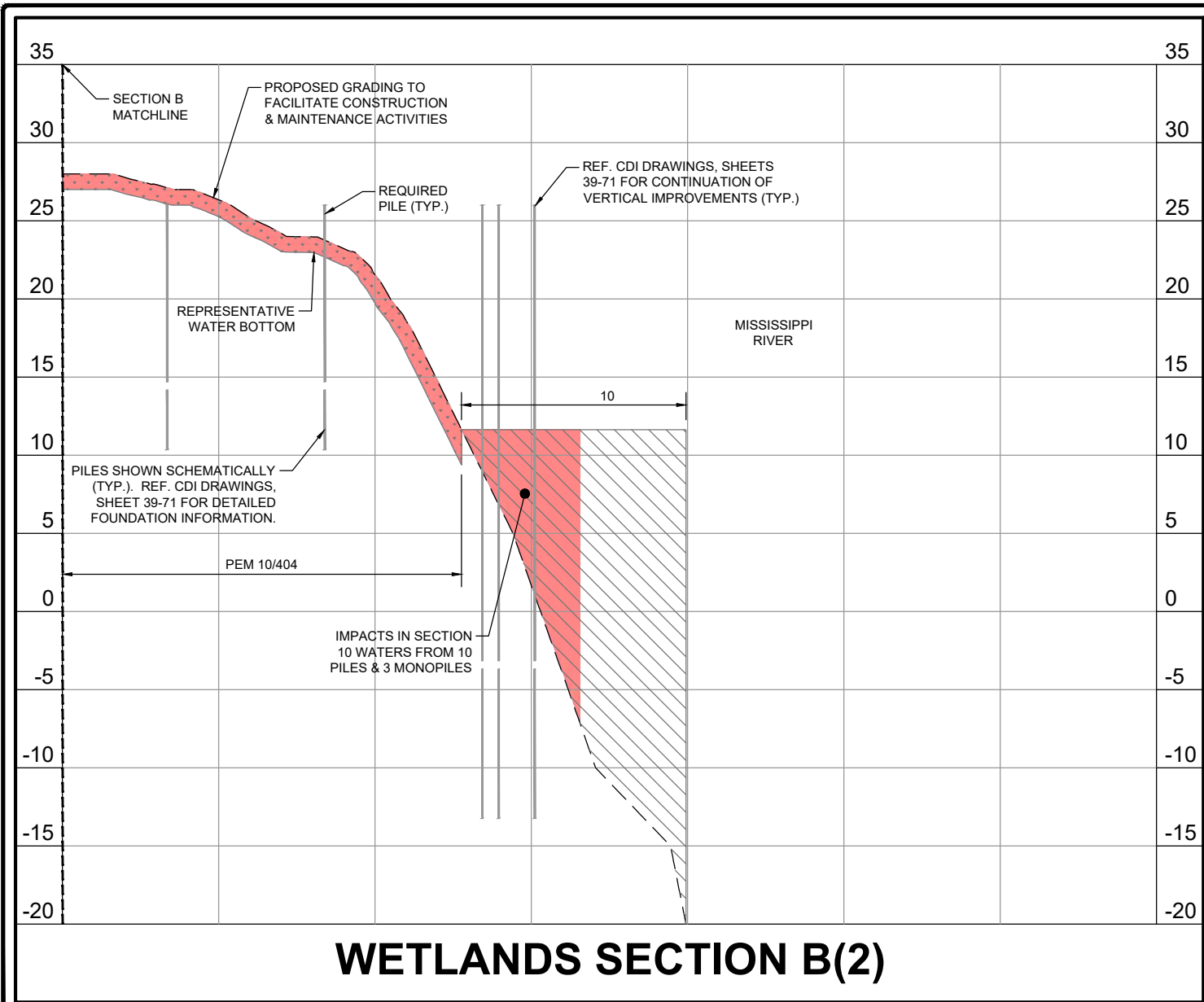
FOR PERMIT PURPOSES ONLY

Kainen T. LeBlanc
LA PE #34314
Duplantis Design Group, P.C.

314 E. Bayou Road
Thibodaux, LA 70301

Office: 985.447.0090
Fax: 985.447.7009

www.ddgpc.com

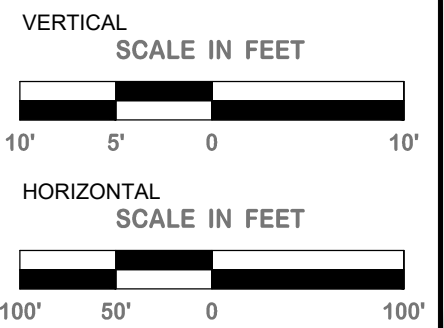


LEGEND

- OTHER WATERS (IMPACTED)
- OTHER WATERS (NOT IMPACTED)
- WETLANDS (IMPACTED)
- WETLANDS (NOT IMPACTED)
- WATERS OF THE U.S. (IMPACTED)
- WATERS OF THE U.S. (NOT IMPACTED)

* SECTION LOCATION DENOTED ON SHEET 4

WETLANDS IMPACT CROSS SECTIONS



DRAWN GJP
CHECKED EMG
ISSUE DATE 12-22-21
PROJECT NO. 21-801

IMTT DOCK BRIDGE & PIPE RACK EXTENSION

GEISMAR, LOUISIANA
ASCENSION PARISH

FOR IMTT-GEISMAR

REVISION	BY

PRELIMINARY

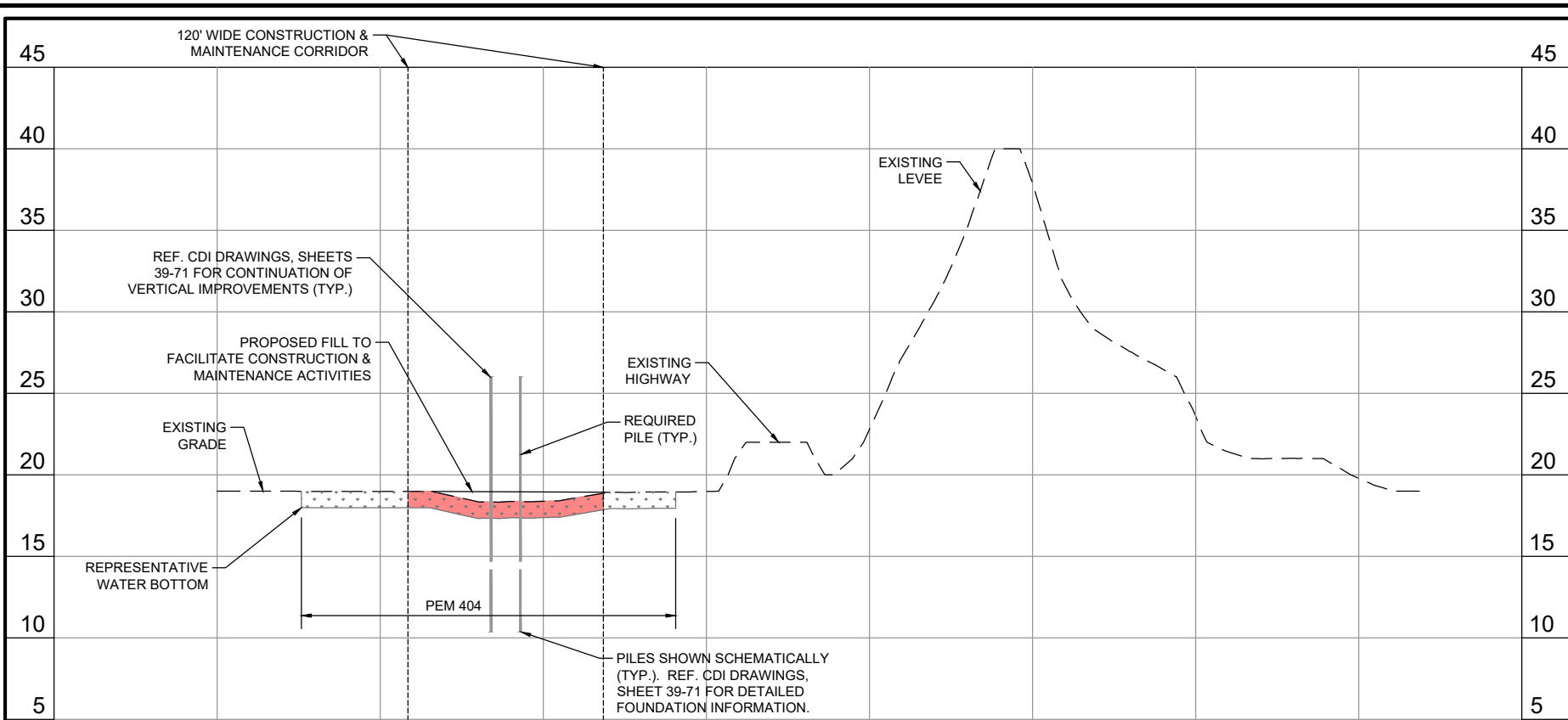
FOR PERMIT PURPOSES ONLY

Kainen T. LeBlanc
LA PE #34314
Duplantis Design Group, P.C.

314 E. Bayou Road
Thibodaux, LA 70301

Office: 985.447.0090
Fax: 985.447.7009

www.ddgpc.com



WETLANDS SECTION C

LEGEND

- OTHER WATERS (IMPACTED)
- OTHER WATERS (NOT IMPACTED)
- WETLANDS (IMPACTED)
- WETLANDS (NOT IMPACTED)
- WATERS OF THE U.S. (IMPACTED)
- WATERS OF THE U.S. (NOT IMPACTED)

* SECTION LOCATION DENOTED ON SHEET 5

WETLANDS IMPACT CROSS SECTIONS

VERTICAL
SCALE IN FEET



HORIZONTAL
SCALE IN FEET



DRAWN GJP
CHECKED EMG
ISSUE DATE 12-22-21
PROJECT NO. 21-801

IMTT DOCK BRIDGE & PIPE RACK EXTENSION

GEISMAR, LOUISIANA
ASCENSION PARISH

FOR IMTT-GEISMAR

REVISION	BY

PRELIMINARY

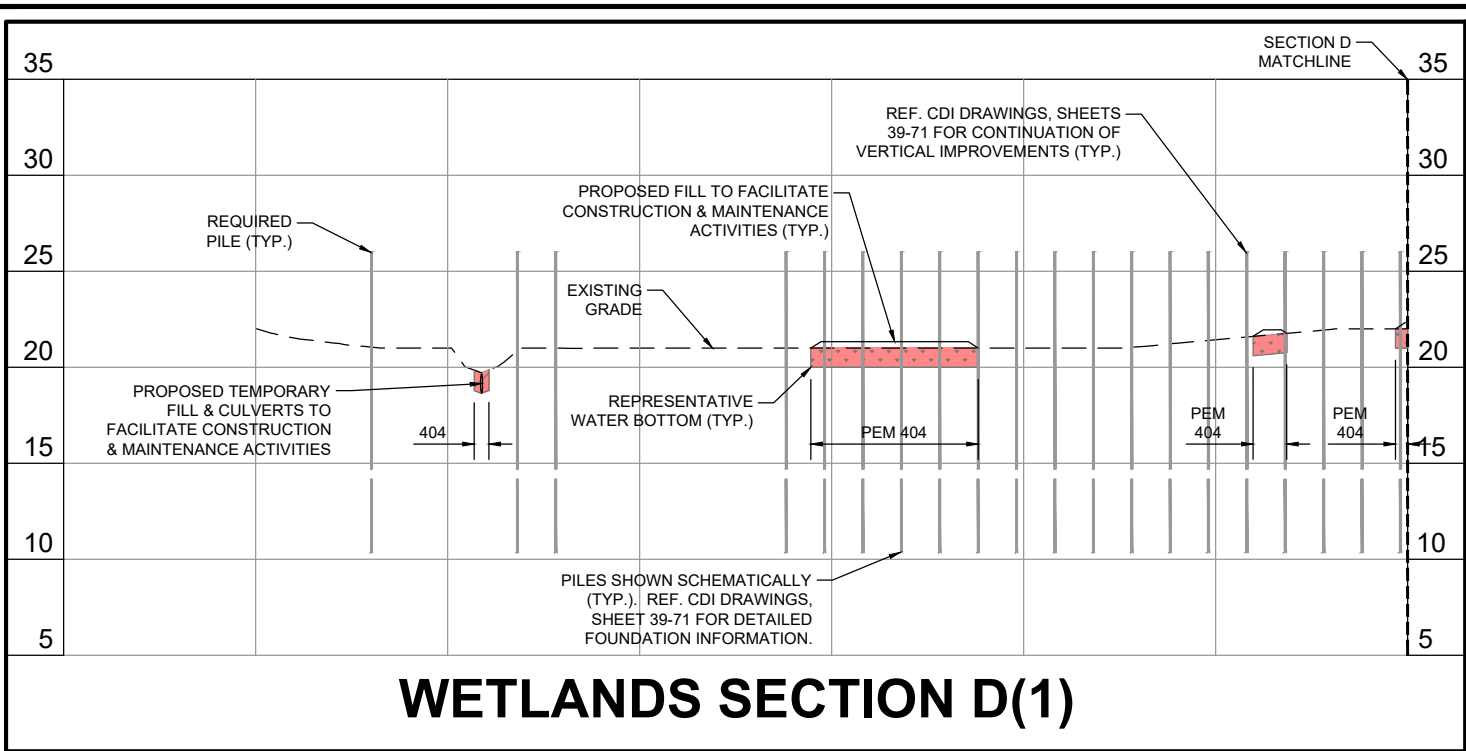
FOR PERMIT PURPOSES ONLY

Kainen T. LeBlanc
LA PE #34314
Duplantis Design Group, P.C.

314 E. Bayou Road
Thibodaux, LA 70301

Office: 985.447.0090
Fax: 985.447.7009

www.ddgpc.com



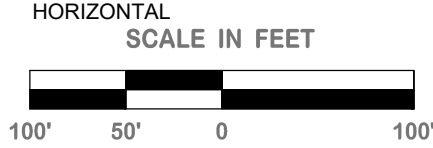
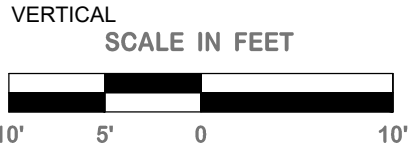
WETLANDS SECTION D(1)

LEGEND

- OTHER WATERS (IMPACTED)
- OTHER WATERS (NOT IMPACTED)
- WETLANDS (IMPACTED)
- WETLANDS (NOT IMPACTED)
- WATERS OF THE U.S. (IMPACTED)
- WATERS OF THE U.S. (NOT IMPACTED)

* SECTION LOCATION DENOTED ON SHEET 5

WETLANDS IMPACT CROSS SECTIONS



DRAWN GJP
CHECKED EMG
ISSUE DATE 12-22-21
PROJECT NO. 21-801

IMTT DOCK BRIDGE & PIPE RACK EXTENSION

GEISMAR, LOUISIANA
ASCENSION PARISH

FOR IMTT-GEISMAR

REVISION	BY

PRELIMINARY

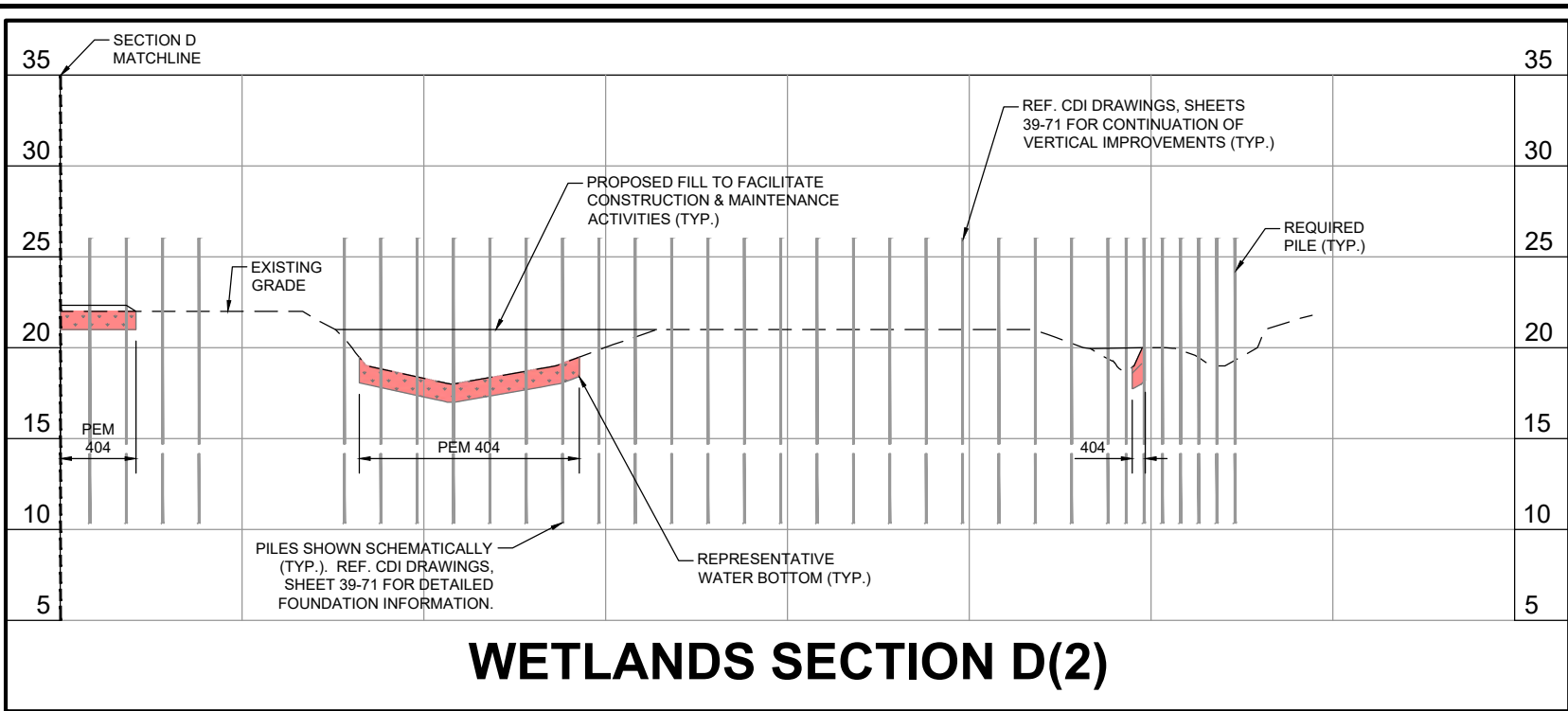
FOR PERMIT PURPOSES ONLY

Kainen T. LeBlanc
LA PE #34314
Duplantis Design Group, P.C.

314 E. Bayou Road
Thibodaux, LA 70301

Office: 985.447.0090
Fax: 985.447.7009

www.ddgpc.com



WETLANDS SECTION D(2)

LEGEND

OTHER WATERS (IMPACTED)	
OTHER WATERS (NOT IMPACTED)	
WETLANDS (IMPACTED)	
WETLANDS (NOT IMPACTED)	
WATERS OF THE U.S. (IMPACTED)	
WATERS OF THE U.S. (NOT IMPACTED)	

* SECTION LOCATION DENOTED ON SHEET 5

WETLANDS IMPACT CROSS SECTIONS

VERTICAL
SCALE IN FEET



HORIZONTAL
SCALE IN FEET



DRAWN GJP
CHECKED EMG
ISSUE DATE 12-22-21
PROJECT NO. 21-801

IMTT DOCK BRIDGE & PIPE RACK EXTENSION

GEISMAR, LOUISIANA
ASCENSION PARISH

FOR IMTT-GEISMAR

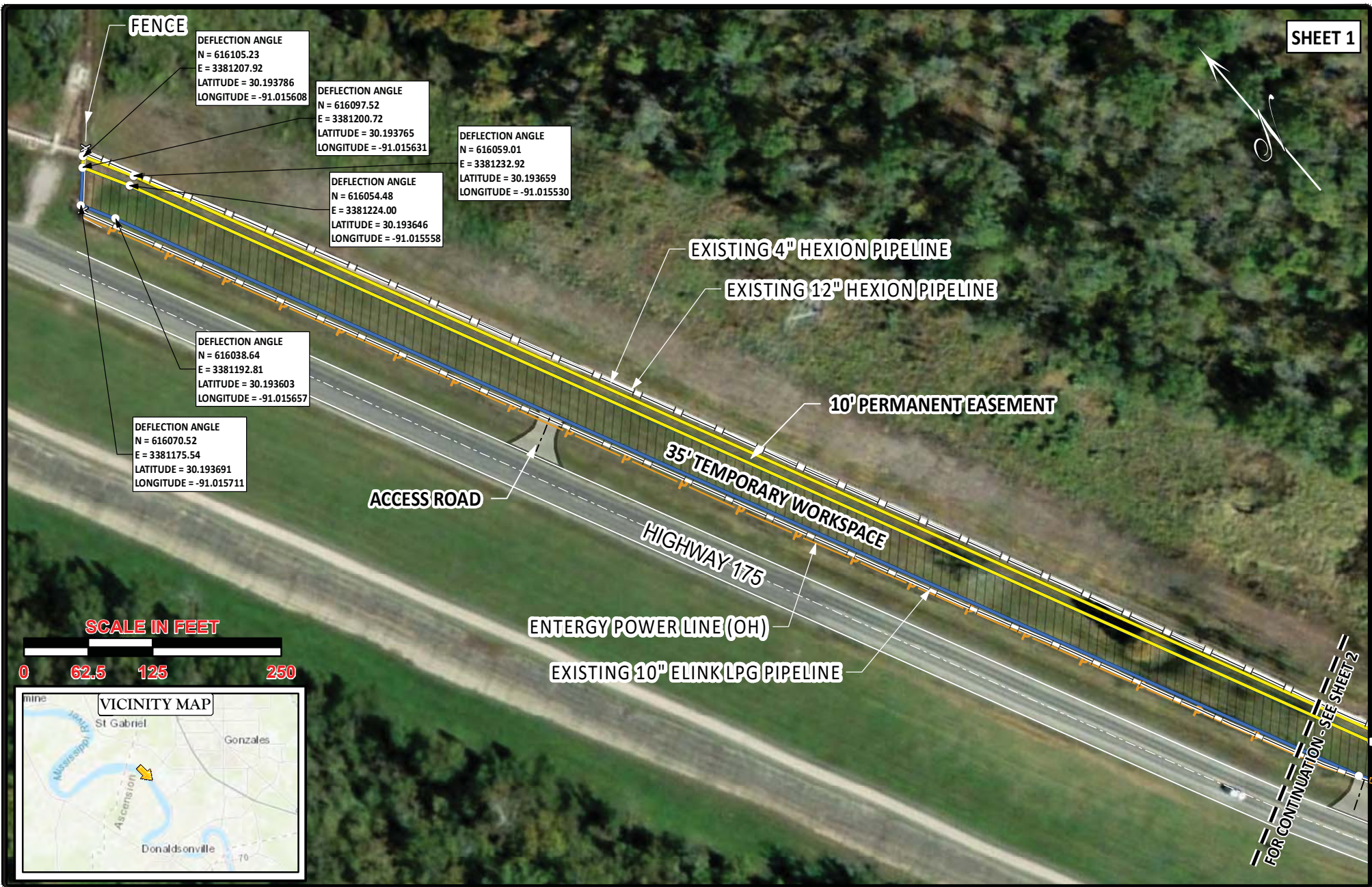
REVISION	BY

PRELIMINARY
FOR PERMIT PURPOSES ONLY

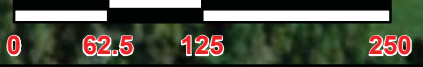
Kainen T. LeBlanc
LA PE #34314
Duplantis Design Group, P.C.



314 E. Bayou Road
Thibodaux, LA 70301
Office: 985.447.0090
Fax: 985.447.7009
www.ddgpc.com



SCALE IN FEET



DRAWN CST
CHECKED RBS
ISSUE DATE 12-17-2021
PROJECT NO. 4.B21051

IMTT NORTH PIPE RACK
PERMIT DRAWINGS

GEISMAR, LOUISIANA
ASCENSION PARISH

FOR IMTT-GEISMAR

REVISION	BY
REVISION #A 12-17-21	CST

DRAWING NUMBER:
4.B21051-PRMT-01

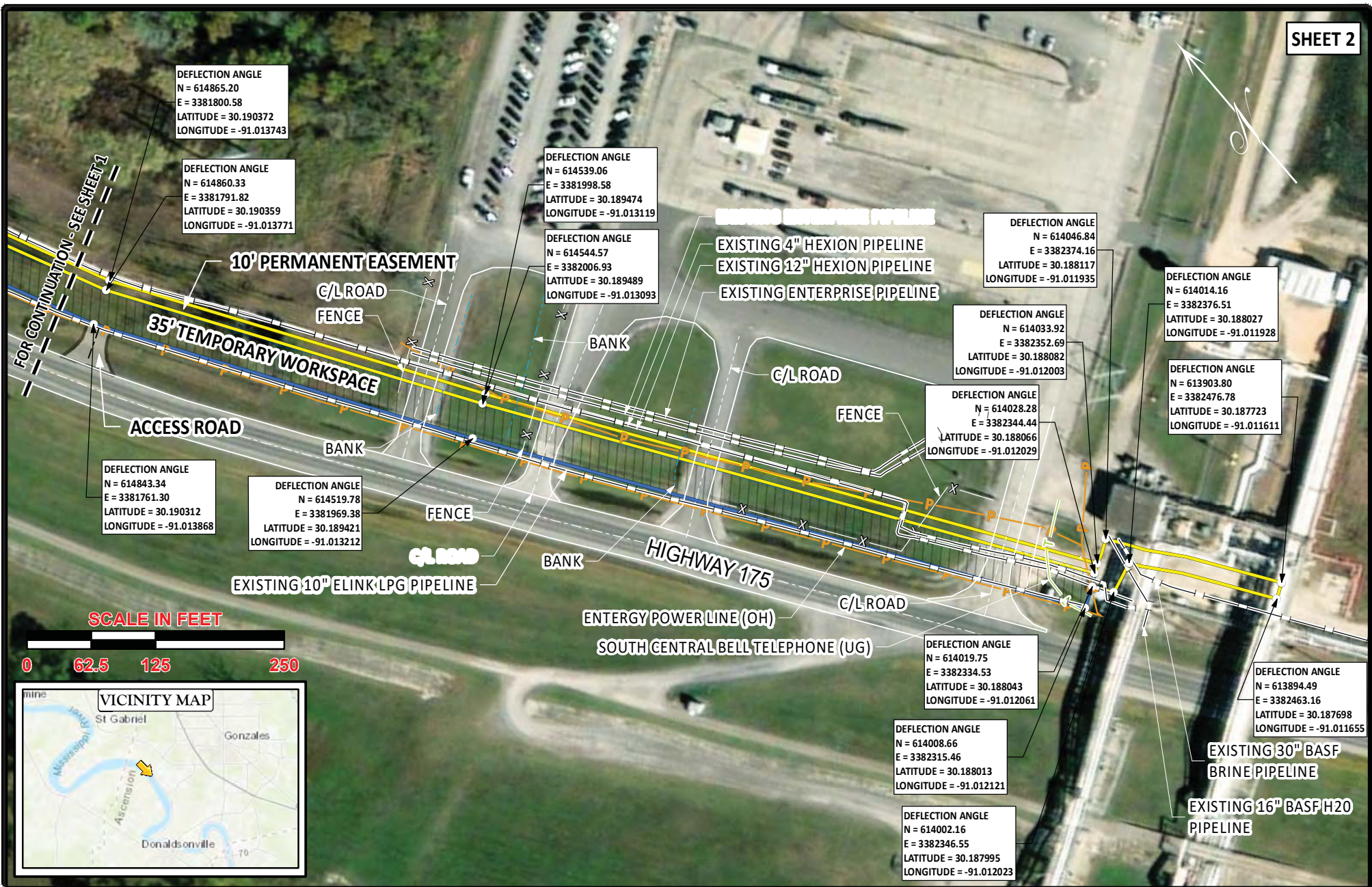
PRELIMINARY
FOR PERMIT PURPOSES ONLY

ELIAS HENRI HAGE
LA PE #28545
HUNTS, GUILLOT & ASSOCIATES, LLC: LICENSE # 2137

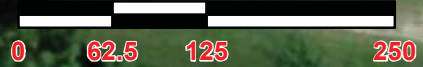
9357 INTERLINE AVE.
BATON ROUGE, LA 70809

OFFICE: 225.926.1665
FAX: 225.927.6825
www.hga-llc.com

HUNTS, GUILLOT & ASSOCIATES, LLC



SCALE IN FEET



DRAWN CST
CHECKED RBS
ISSUE DATE 12-17-2021
PROJECT NO. 4.B21051

IMTT NORTH PIPE RACK
PERMIT DRAWINGS

GEISMAR, LOUISIANA
ASCENSION PARISH

FOR IMTT-GEISMAR

REVISION	BY
12-17-21	CST

DRAWING NUMBER:
4.B21051-PRMT-02

PRELIMINARY
FOR PERMIT PURPOSES ONLY

ELIAS HENRI HAGE
LA PE #28545
HUNTS, GUILLOT & ASSOCIATES, LLC: LICENSE # 2137

HUNTS, GUILLOT & ASSOCIATES, LLC

9357 INTERLINE AVE.
BATON ROUGE, LA 70809

OFFICE: 225.926.1665
FAX: 225.927.6825
www.hga-llc.com

IMTT - GEISMAR
AREA A300
REG PIPELINES



SITE PLAN



ENLARGED PLAN

SCALE: N.T.S.

DRAWN XTN
CHECKED EHH
ISSUE DATE 12-17-2021
PROJECT NO. 4.B21051

IMTT NORTH PIPE RACK
 PERMIT DRAWINGS

GEISMAR, LOUISIANA
 ASCENSION PARISH

FOR IMTT-GEISMAR

REVISION	BY
REVISION #A 12-17-21	XTN

DRAWING NUMBER:
 4.B21051-PRMT-03

PRELIMINARY
 FOR PERMIT PURPOSES ONLY

ELIAS HENRI HAGE
 LA PE #28545

HUNTS, GUILLOT & ASSOCIATES, LLC: LICENSE # 2137

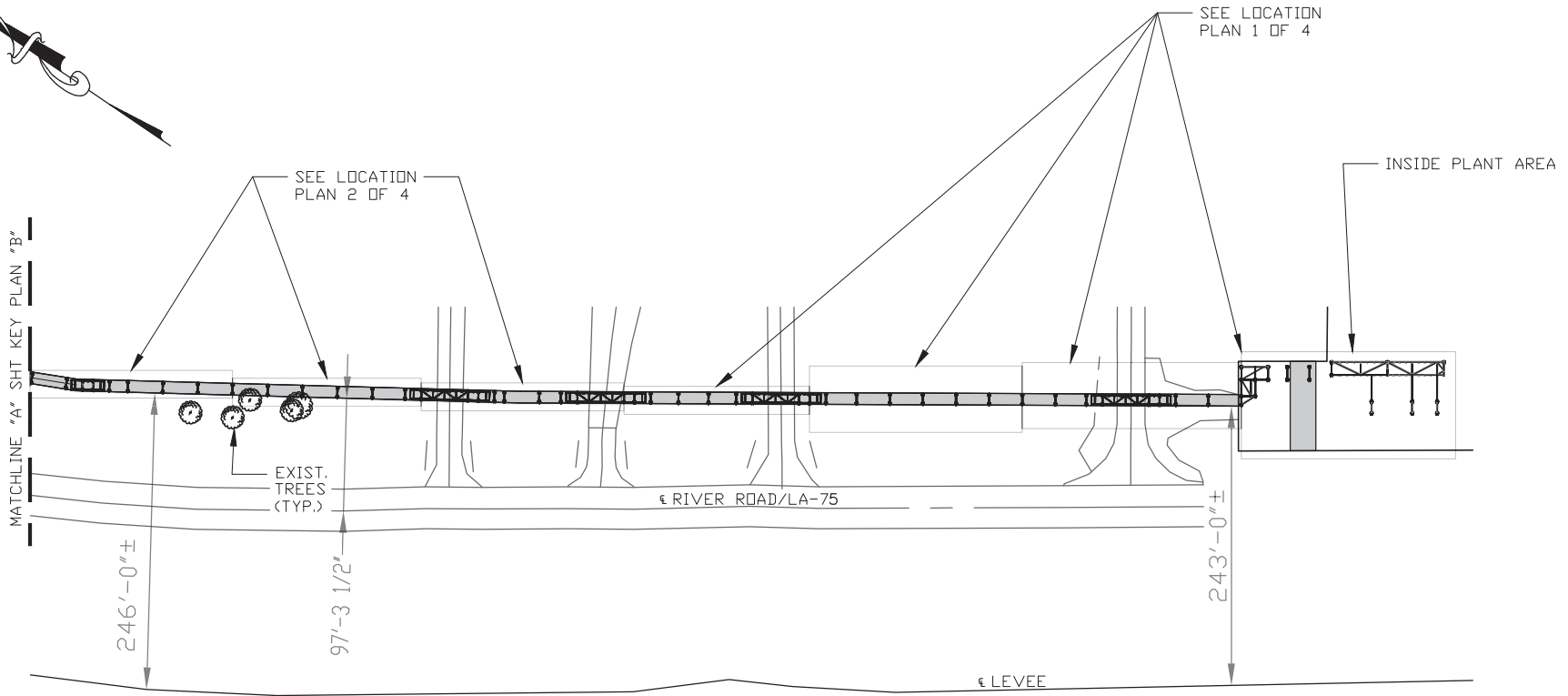
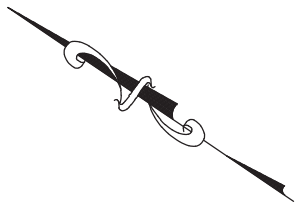


HUNTS, GUILLOT & ASSOCIATES, LLC

9357 INTERLINE AVE.
 BATON ROUGE, LA 70809

OFFICE: 225.926.1665
 FAX: 225.927.6825

www.hga-llc.com



KEY PLAN "A"

SCALE: 1" = 150'

KEY PLAN "A"

SCALE IN FEET



DRAWN XTN
CHECKED EHH
ISSUE DATE 12-17-2021
PROJECT NO. 4.B21051

IMTT NORTH PIPE RACK
PERMIT DRAWINGS

GEISMAR, LOUISIANA
ASCENSION PARISH

FOR IMTT-GEISMAR

REVISION	BY
REVISION A 12-17-21	XTN

DRAWING NUMBER:
4.B21051-PRMT-04

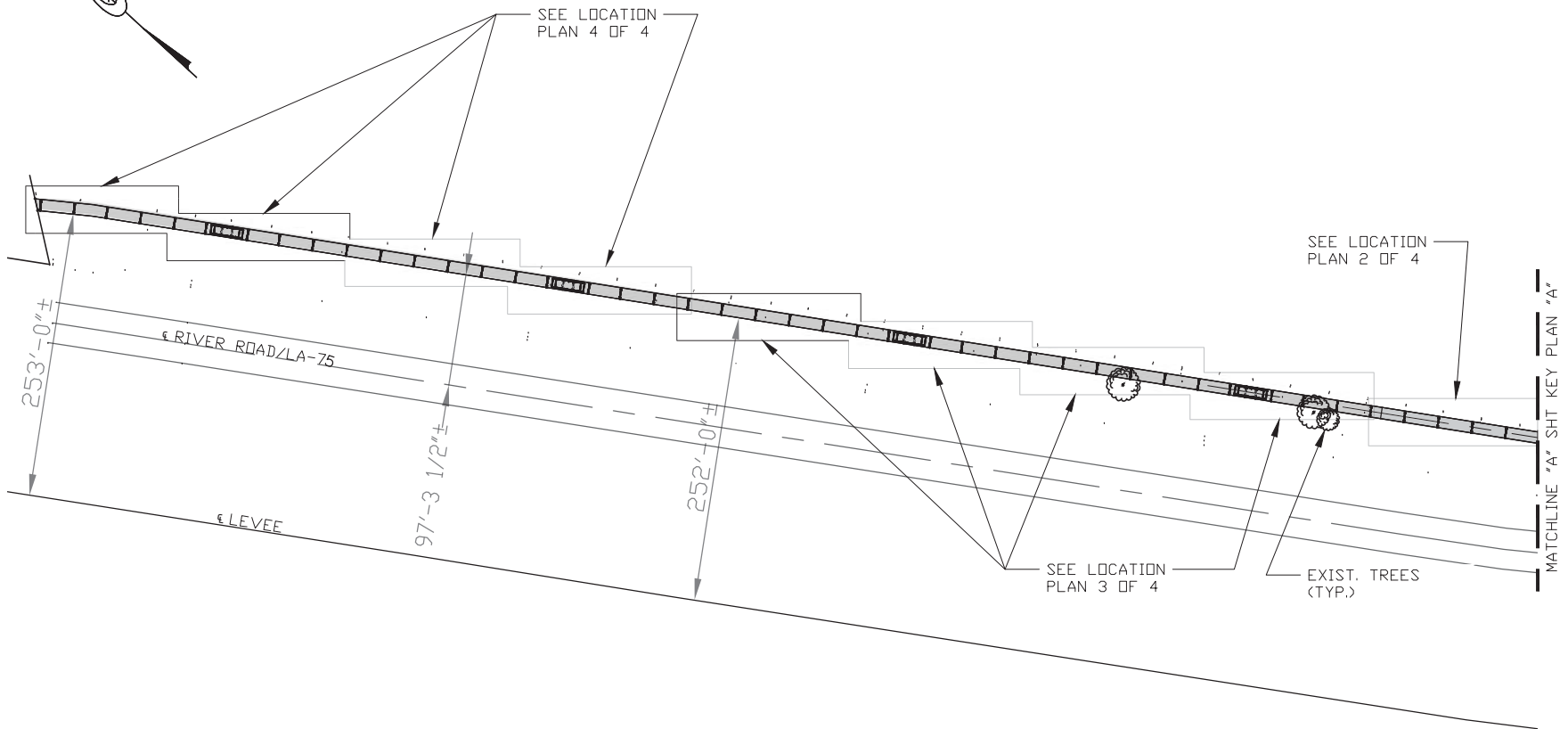
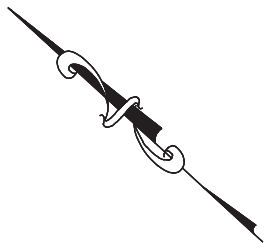
PRELIMINARY
FOR PERMIT PURPOSES ONLY

ELIAS HENRI HAGE
LA PE #28545
HUNTS, GUILLOT & ASSOCIATES, LLC: LICENSE # 2137

9357 INTERLINE AVE.
BATON ROUGE, LA 70809

OFFICE: 225.926.1665
FAX: 225.927.6825
www.hga-llc.com

HUNTS, GUILLOT & ASSOCIATES, LLC



KEY PLAN "B"
SCALE: 1" = 150'

KEY PLAN "B"
SCALE IN FEET



DRAWN XTN
CHECKED EHH
ISSUE DATE 12-17-2021
PROJECT NO. 4.B21051

IMTT NORTH PIPE RACK
PERMIT DRAWINGS

GEISMAR, LOUISIANA
ASCENSION PARISH

FOR IMTT-GEISMAR

REVISION	BY
REVISION #A 12-17-21	XTN

DRAWING NUMBER:
4.B21051-PRMT-05

PRELIMINARY
FOR PERMIT PURPOSES ONLY

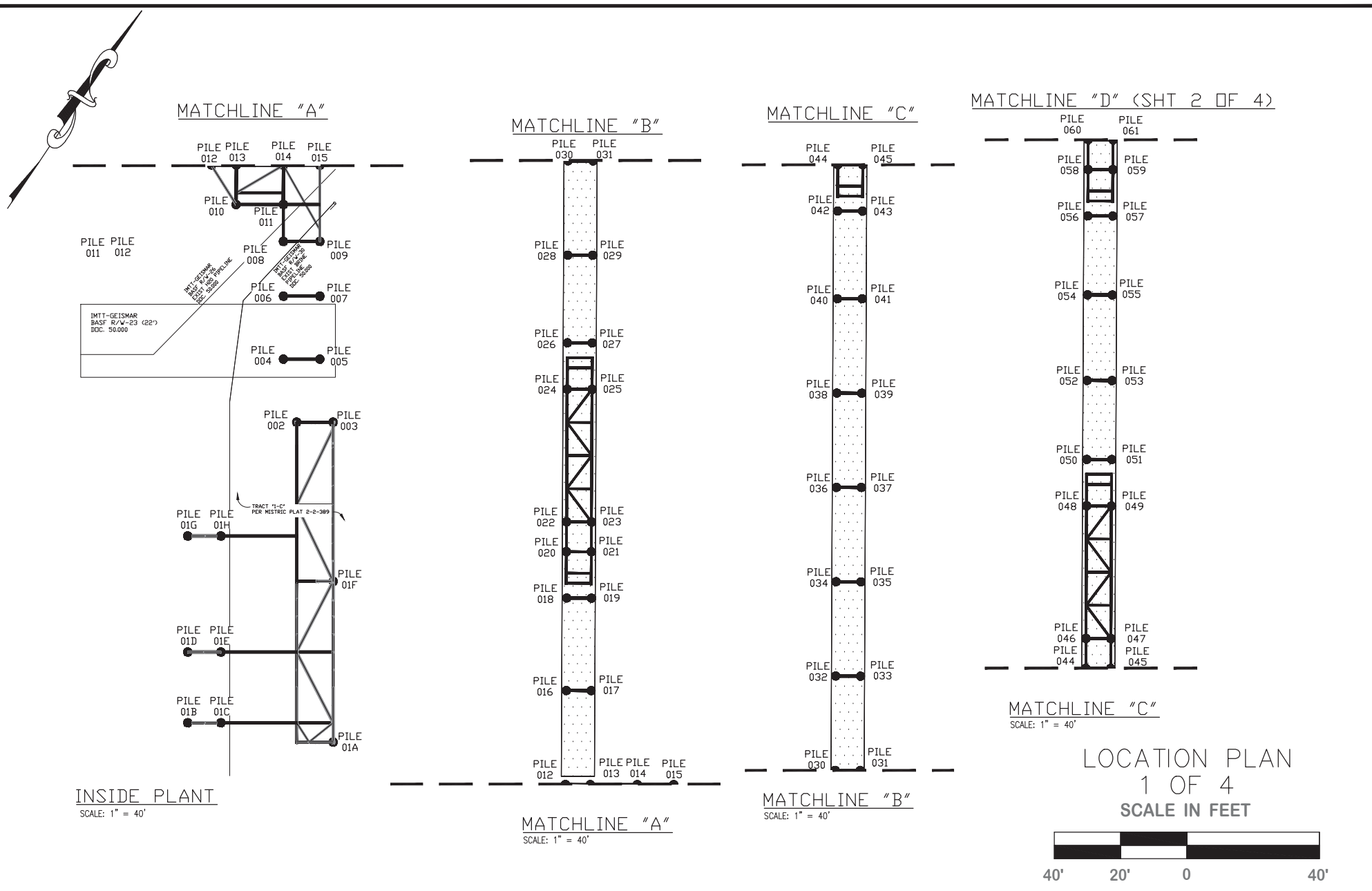
ELIAS HENRI HAGE
LA PE #28545

HUNTS, GUILLOT & ASSOCIATES, LLC: LICENSE # 2137

9357 INTERLINE AVE.
BATON ROUGE, LA 70809

OFFICE: 225.926.1665
FAX: 225.927.6825
www.hga-llc.com

HUNTS, GUILLOT & ASSOCIATES, LLC



DRAWN XTN
CHECKED EHH
ISSUE DATE 12-17-2021
PROJECT NO. 4.B21051

IMTT NORTH PIPE RACK
PERMIT DRAWINGS

GEISMAR, LOUISIANA
ASCENSION PARISH

FOR IMTT-GEISMAR

REVISION	BY
REVISION #A 12-17-21	XTN

DRAWING NUMBER:
4.B21051-PRMT-06

PRELIMINARY
FOR PERMIT PURPOSES ONLY

ELIAS HENRI HAGE
LA PE #28545

HUNTS, GUILLOT & ASSOCIATES, LLC: LICENSE # 2137

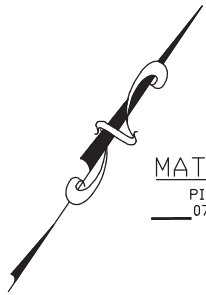
HGA
Engineering

HUNTS, GUILLOT & ASSOCIATES, LLC

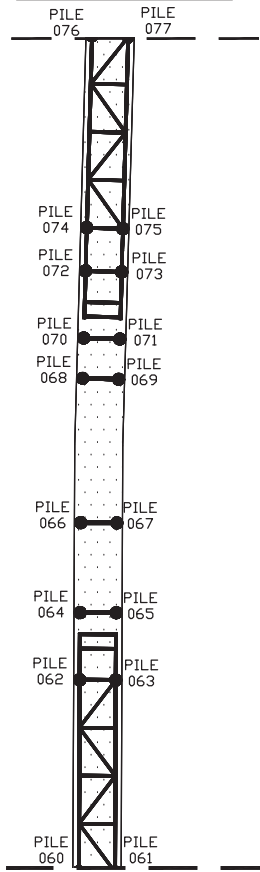
9357 INTERLINE AVE.
BATON ROUGE, LA 70809

OFFICE: 225.926.1665
FAX: 225.927.6825

www.hga-ilc.com



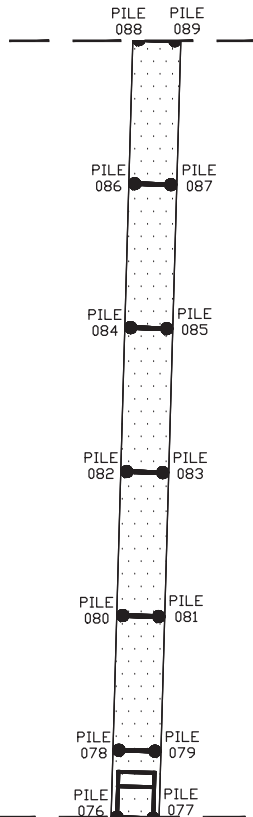
MATCHLINE "E"



MATCHLINE "D" (SHT 1 OF 4)

SCALE: 1" = 40"

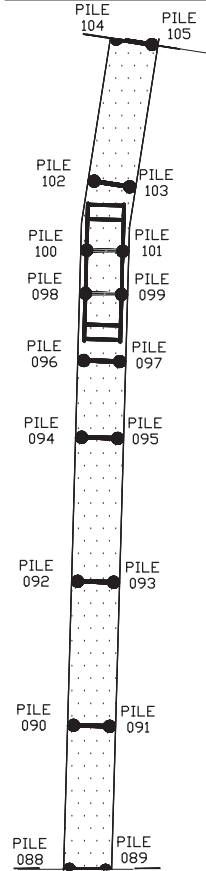
MATCHLINE "F"



MATCHLINE "E"

SCALE: 1" = 40"

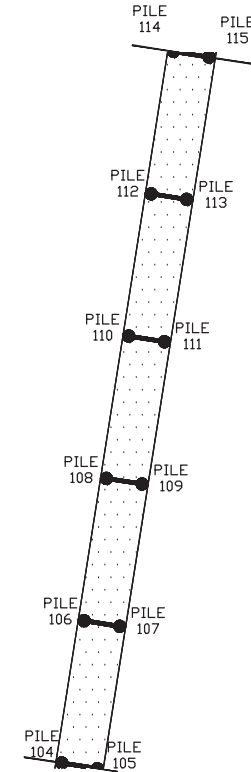
MATCHLINE "G"



MATCHLINE "F"

SCALE: 1" = 40"

MATCHLINE "H" (SHT 3 OF 4)



MATCHLINE "G"

SCALE: 1" = 40"

LOCATION PLAN
2 OF 4

SCALE IN FEET



DRAWN XTN
CHECKED EHH
ISSUE DATE 12-17-2021
PROJECT NO. 4.B21051

IMTT NORTH PIPE RACK
PERMIT DRAWINGS

GEISMAR, LOUISIANA
ASCENSION PARISH

FOR IMTT-GEISMAR

REVISION	BY
REVISION #A 12-17-21	XTN

DRAWING NUMBER:
4.B21051-PRMT-07

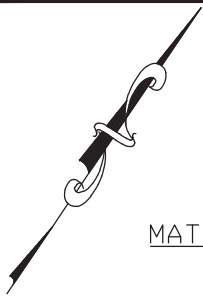
PRELIMINARY
FOR PERMIT PURPOSES ONLY

ELIAS HENRI HAGE
LA PE #28545
HUNTS, GUILLOT & ASSOCIATES, LLC: LICENSE # 2137

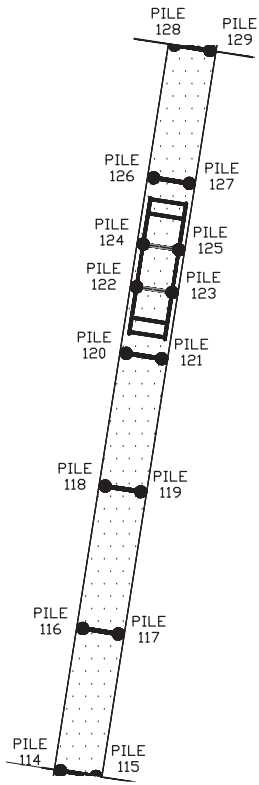
9357 INTERLINE AVE.
BATON ROUGE, LA 70809

OFFICE: 225.926.1665
FAX: 225.927.6825
www.hga-llc.com

HUNTS, GUILLOT & ASSOCIATES, LLC

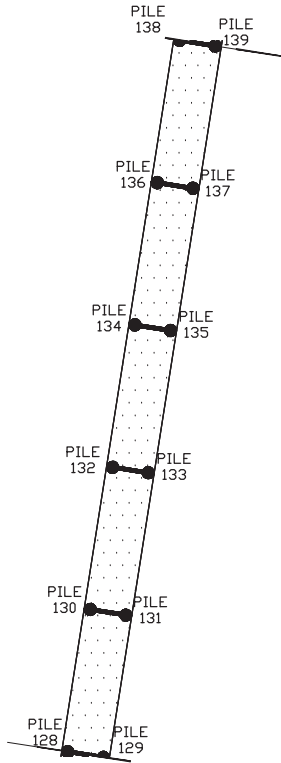


MATCHLINE "I"



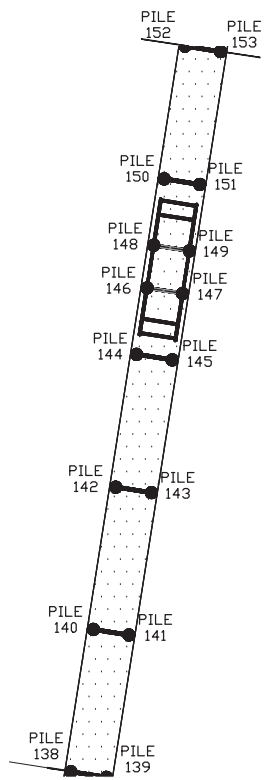
MATCHLINE "H" (SHT 2 OF 4)
SCALE: 1" = 40'

MATCHLINE "J"



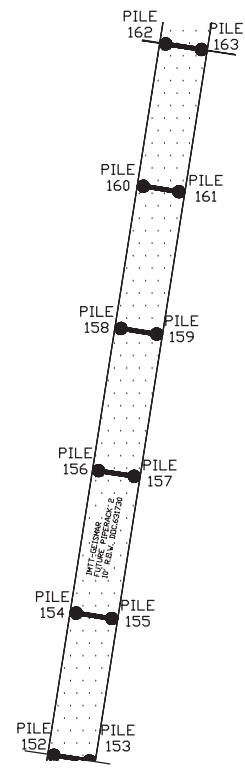
MATCHLINE "I"
SCALE: 1" = 40'

MATCHLINE "K"



MATCHLINE "J"
SCALE: 1" = 40'

MATCHLINE "L" (SHT 4 OF 4)



MATCHLINE "K"
SCALE: 1" = 40'

LOCATION PLAN
3 OF 4
SCALE IN FEET



DRAWN XTN
CHECKED EHH
ISSUE DATE 12-17-2021
PROJECT NO. 4.B21051

IMTT NORTH PIPE RACK
PERMIT DRAWINGS

GEISMAR, LOUISIANA
ASCENSION PARISH

FOR IMTT-GEISMAR

REVISION	BY
REVISION #A 12-17-21	XTN

DRAWING NUMBER:
4.B21051-PRMT-08

PRELIMINARY
FOR PERMIT PURPOSES ONLY

ELIAS HENRI HAGE
LA PE #28545

HUNTS, GUILLOT & ASSOCIATES, LLC: LICENSE # 2137

HUNTS, GUILLOT & ASSOCIATES, LLC

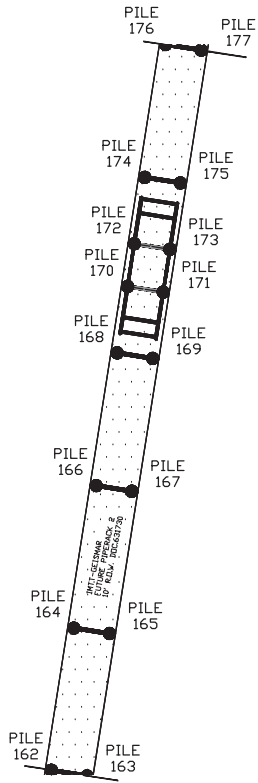
9357 INTERLINE AVE.
BATON ROUGE, LA 70809

OFFICE: 225.926.1665
FAX: 225.927.6825

www.hga-llc.com



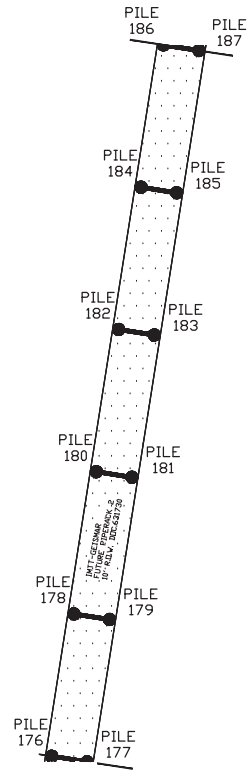
MATCHLINE "M"



MATCHLINE "L" (SHT 3 OF 4)

SCALE: 1" = 40'

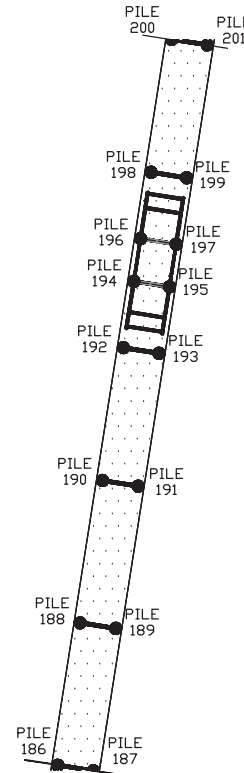
MATCHLINE "N"



MATCHLINE "M"

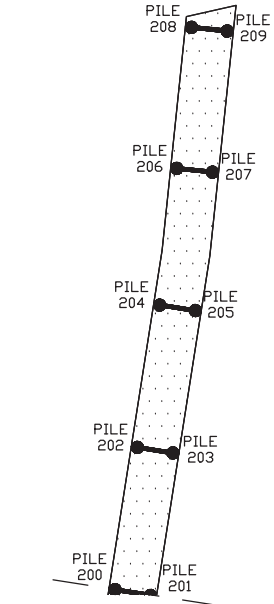
SCALE: 1" = 40'

MATCHLINE "O"



MATCHLINE "N"

SCALE: 1" = 40'



MATCHLINE "O"

SCALE: 1" = 40'

LOCATION PLAN
4 OF 4

SCALE IN FEET



DRAWN XTN
CHECKED EHH
ISSUE DATE 12-17-2021
PROJECT NO. 4.B21051

IMTT NORTH PIPE RACK
PERMIT DRAWINGS

GEISMAR, LOUISIANA
ASCENSION PARISH

FOR IMTT-GEISMAR

REVISION	BY
REVISION #A 12-17-21	XTN

DRAWING NUMBER:
4.B21051-PRMT-09

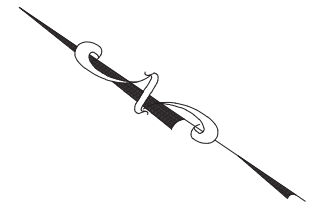
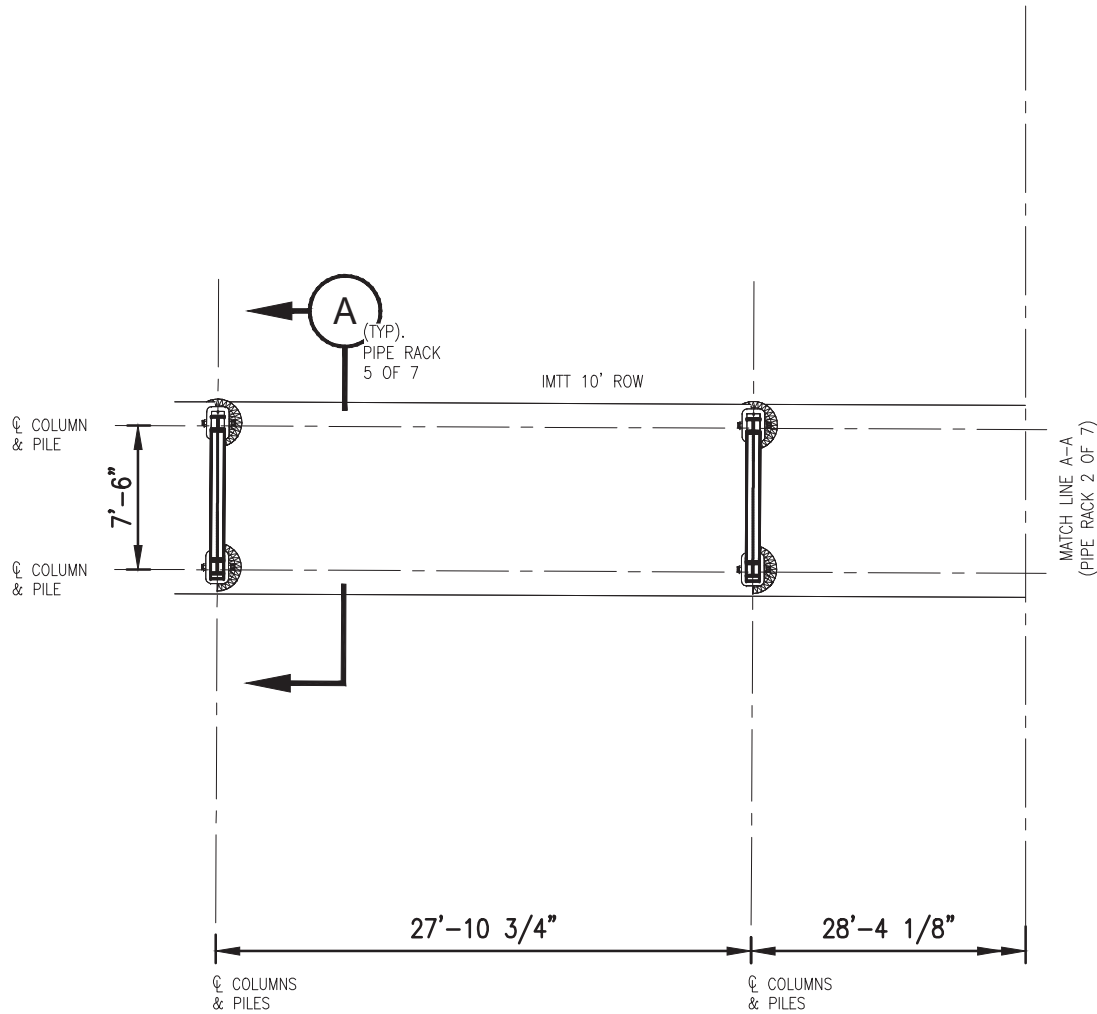
PRELIMINARY
FOR PERMIT PURPOSES ONLY

ELIAS HENRI HAGE
LA PE #28545
HUNTS, GUILLOT & ASSOCIATES, LLC: LICENSE # 2137

9357 INTERLINE AVE.
BATON ROUGE, LA 70809

OFFICE: 225.926.1665
FAX: 225.927.6825
www.hga-llc.com

HUNTS, GUILLOT & ASSOCIATES, LLC



PIPE RACK 1 OF 7
PLAN VIEW
SCALE IN FEET



PLAN VIEW
SCALE: 1" = 10'
(4 PILES)

DRAWN XTN
CHECKED EHH
ISSUE DATE 12-17-2021
PROJECT NO. 4.B21051

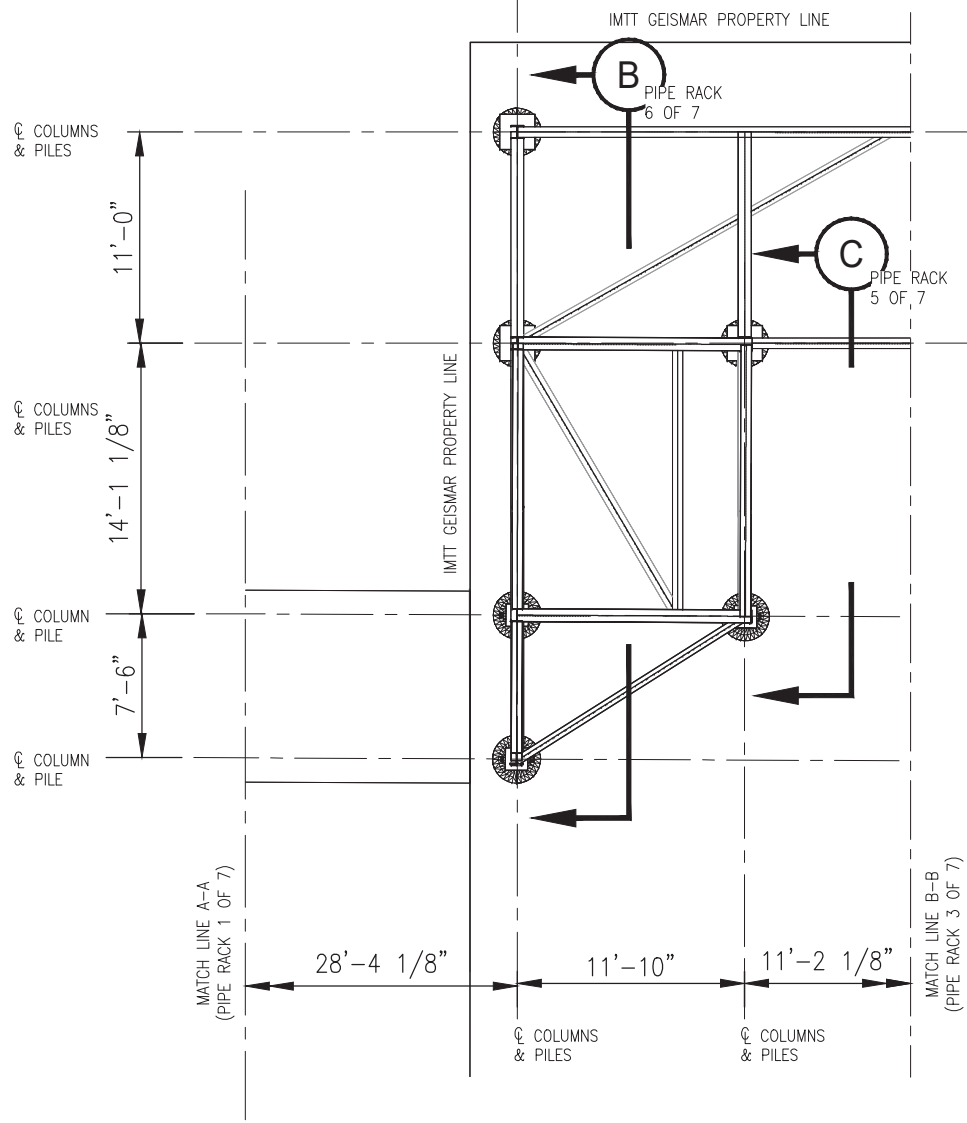
IMTT NORTH PIPE RACK
PERMIT DRAWINGS

GEISMAR, LOUISIANA
ASCENSION PARISH
FOR IMTT-GEISMAR

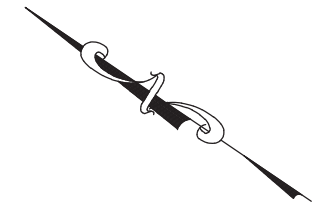
REVISION	BY
REVISION #A 12-17-21	XTN

DRAWING NUMBER: 4.B21051-PRMT-10
PRELIMINARY
FOR PERMIT PURPOSES ONLY
ELIAS HENRI HAGE LA PE #28545
HUNTS, GUILLOT & ASSOCIATES, LLC: LICENSE # 2137

	9357 INTERLINE AVE. BATON ROUGE, LA 70809
	OFFICE: 225.926.1665 FAX: 225.927.6825
	www.hga-llc.com
	HUNTS, GUILLOT & ASSOCIATES, LLC



PLAN VIEW
SCALE: 1" = 10'
(7 PILES)



PIPE RACK 2 OF 7
PLAN VIEW
SCALE IN FEET



DRAWN XTN
CHECKED EHH
ISSUE DATE 12-17-2021
PROJECT NO. 4.B21051

**IMTT NORTH PIPE RACK
PERMIT DRAWINGS**

GEISMAR, LOUISIANA
ASCENSION PARISH

FOR IMTT-GEISMAR

REVISION	BY
REVISION #A 12-17-21	XTN

DRAWING NUMBER:
4.B21051-PRMT-11

PRELIMINARY
FOR PERMIT PURPOSES ONLY

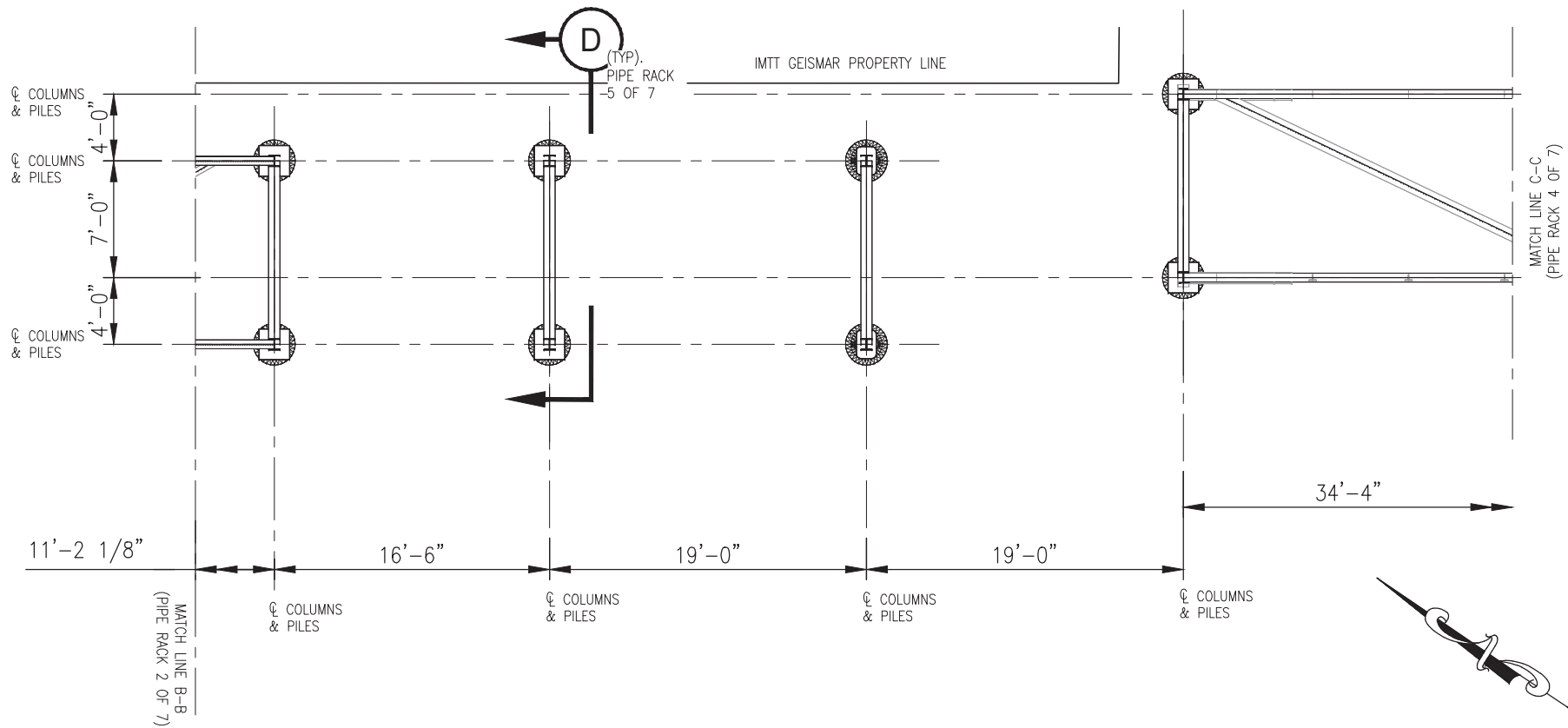
ELIAS HENRI HAGE
LA PE #28545
HUNTS, GUILLOT & ASSOCIATES, LLC: LICENSE # 2137

HGA
Engineering

HUNTS, GUILLOT & ASSOCIATES, LLC

9357 INTERLINE AVE.
BATON ROUGE, LA 70809

OFFICE: 225.926.1665
FAX: 225.927.6825
www.hga-llc.com



PIPE RACK 3 OF 7
PLAN VIEW
SCALE IN FEET



PLAN VIEW
SCALE: 1" = 10'
(8 PILES)

DRAWN XTN
CHECKED EHH
ISSUE DATE 12-17-2021
PROJECT NO. 4.B21051

IMTT NORTH PIPE RACK
PERMIT DRAWINGS

GEISMAR, LOUISIANA
ASCENSION PARISH
FOR IMTT-GEISMAR

REVISION	BY
REVISION #A 12-17-21	XTN

DRAWING NUMBER:
4.B21051-PRMT-12

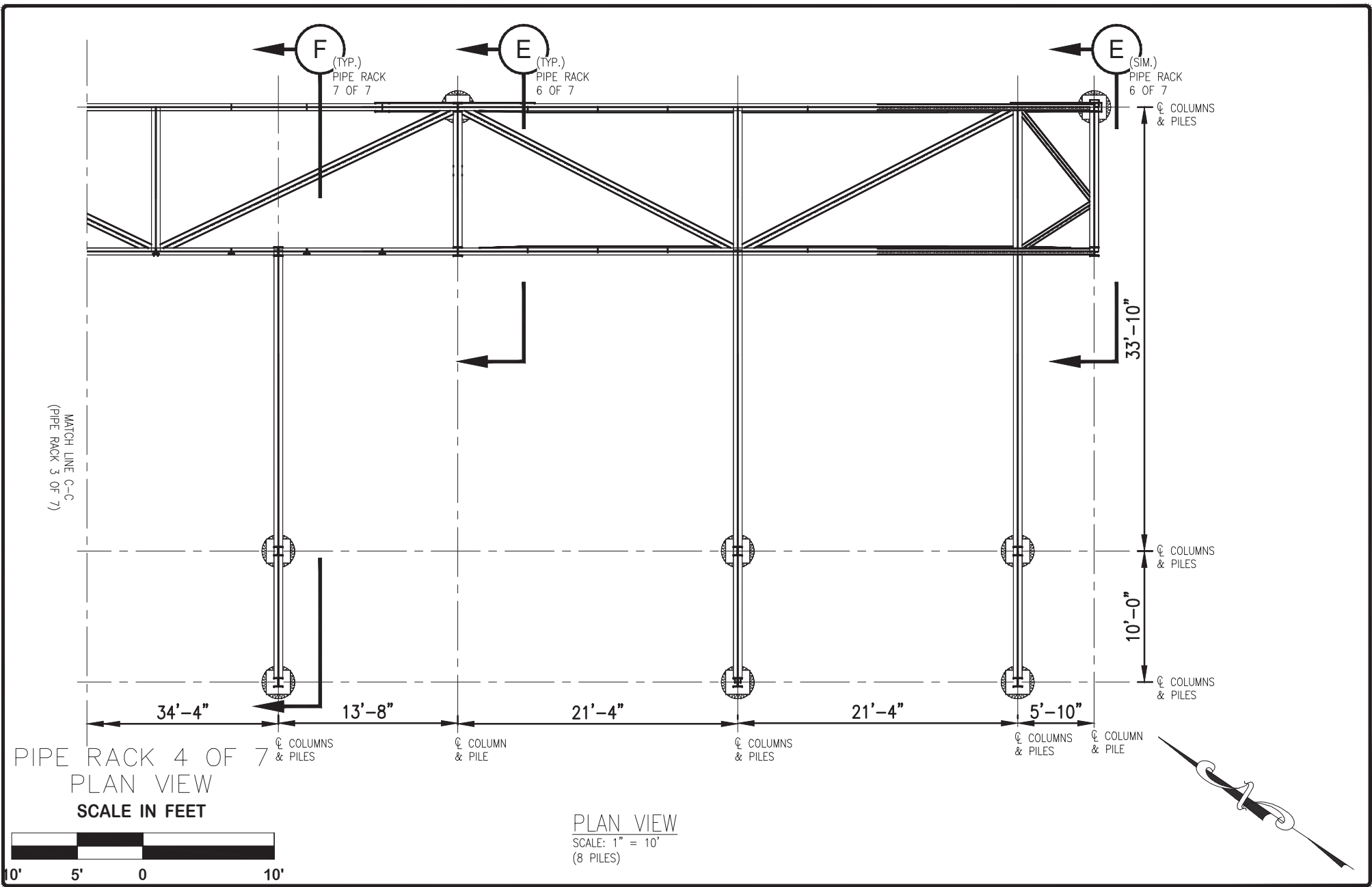
PRELIMINARY
FOR PERMIT PURPOSES ONLY

ELIAS HENRI HAGE
LA PE #28545
HUNTS, GUILLOT & ASSOCIATES, LLC: LICENSE # 2137

9357 INTERLINE AVE.
BATON ROUGE, LA 70809

OFFICE: 225.926.1665
FAX: 225.927.6825
www.hga-llc.com

HUNTS, GUILLOT & ASSOCIATES, LLC



PIPE RACK 4 OF 7
PLAN VIEW

SCALE IN FEET



PLAN VIEW
SCALE: 1" = 10'
(8 PILES)

DRAWN XTN
CHECKED EHH
ISSUE DATE 12-17-2021
PROJECT NO. 4.B21051

IMTT NORTH PIPE RACK
PERMIT DRAWINGS

GEISMAR, LOUISIANA
ASCENSION PARISH

FOR IMTT-GEISMAR

REVISION	BY
REVISION A 12-17-21	XTN

DRAWING NUMBER:
4.B21051-PRMT-13

PRELIMINARY
FOR PERMIT PURPOSES ONLY

ELIAS HENRI HAGE
LA PE #28545

HUNTS, GUILLOT & ASSOCIATES, LLC: LICENSE # 2137

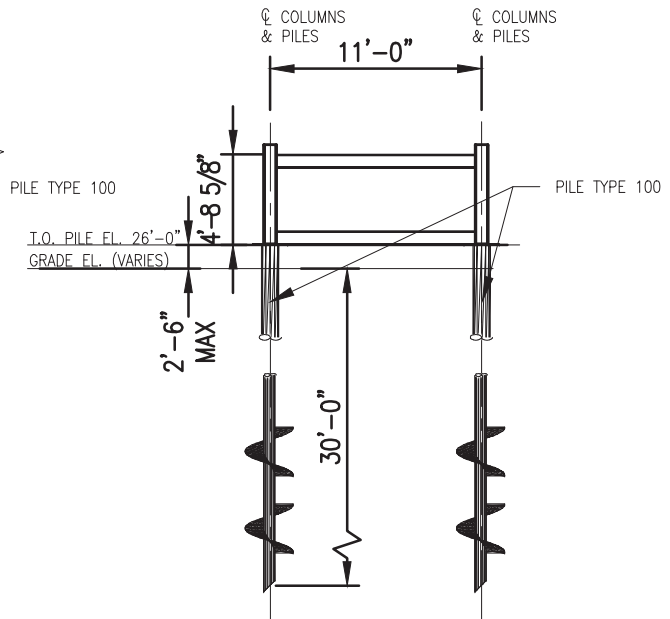
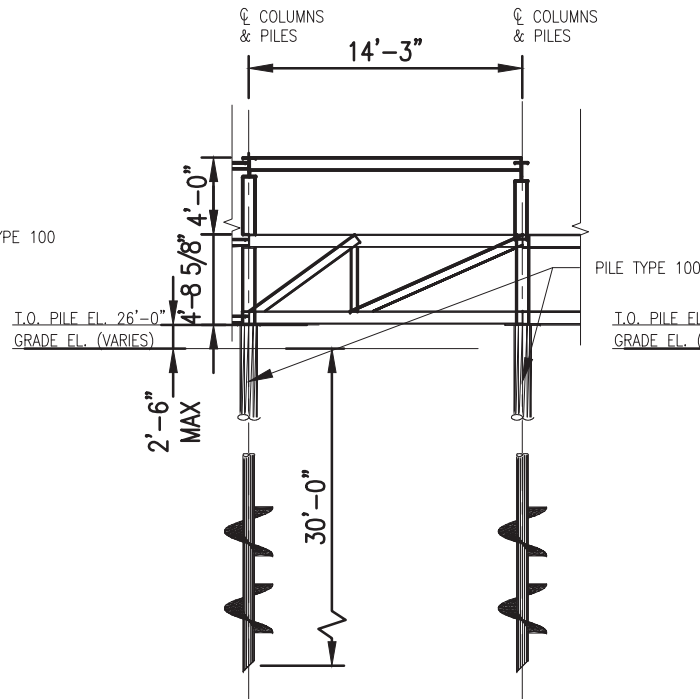
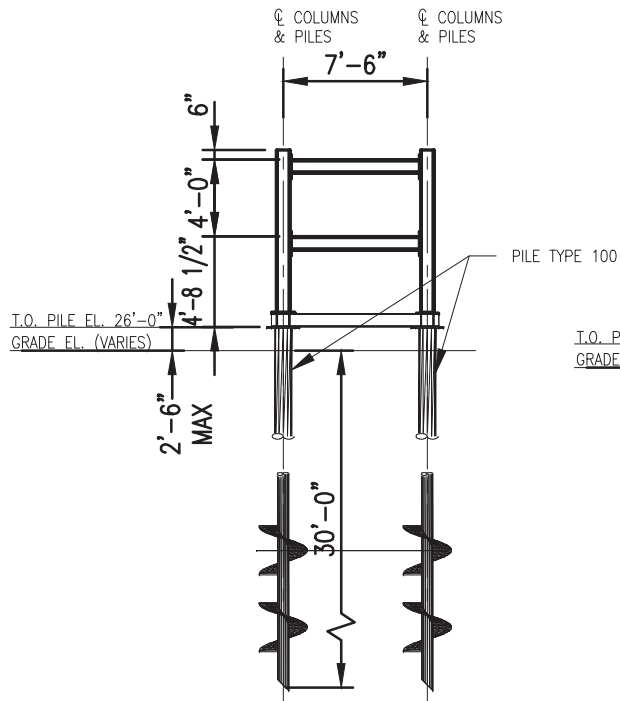
HUNTS, GUILLOT & ASSOCIATES, LLC

9357 INTERLINE AVE.
BATON ROUGE, LA 70809

OFFICE: 225.926.1665
FAX: 225.927.6825
www.hga-llc.com

PIPE RACK 5 OF 7
ELEVATION VIEW

SCALE IN FEET



DRAWN XTN
CHECKED EHH
ISSUE DATE 12-17-2021
PROJECT NO. 4.B21051

IMTT NORTH PIPE RACK
PERMIT DRAWINGS

GEISMAR, LOUISIANA
ASCENSION PARISH
FOR IMTT-GEISMAR

REVISION	BY
REVISION #A 12-17-21	XTN

DRAWING NUMBER:
4.B21051-PRMT-14

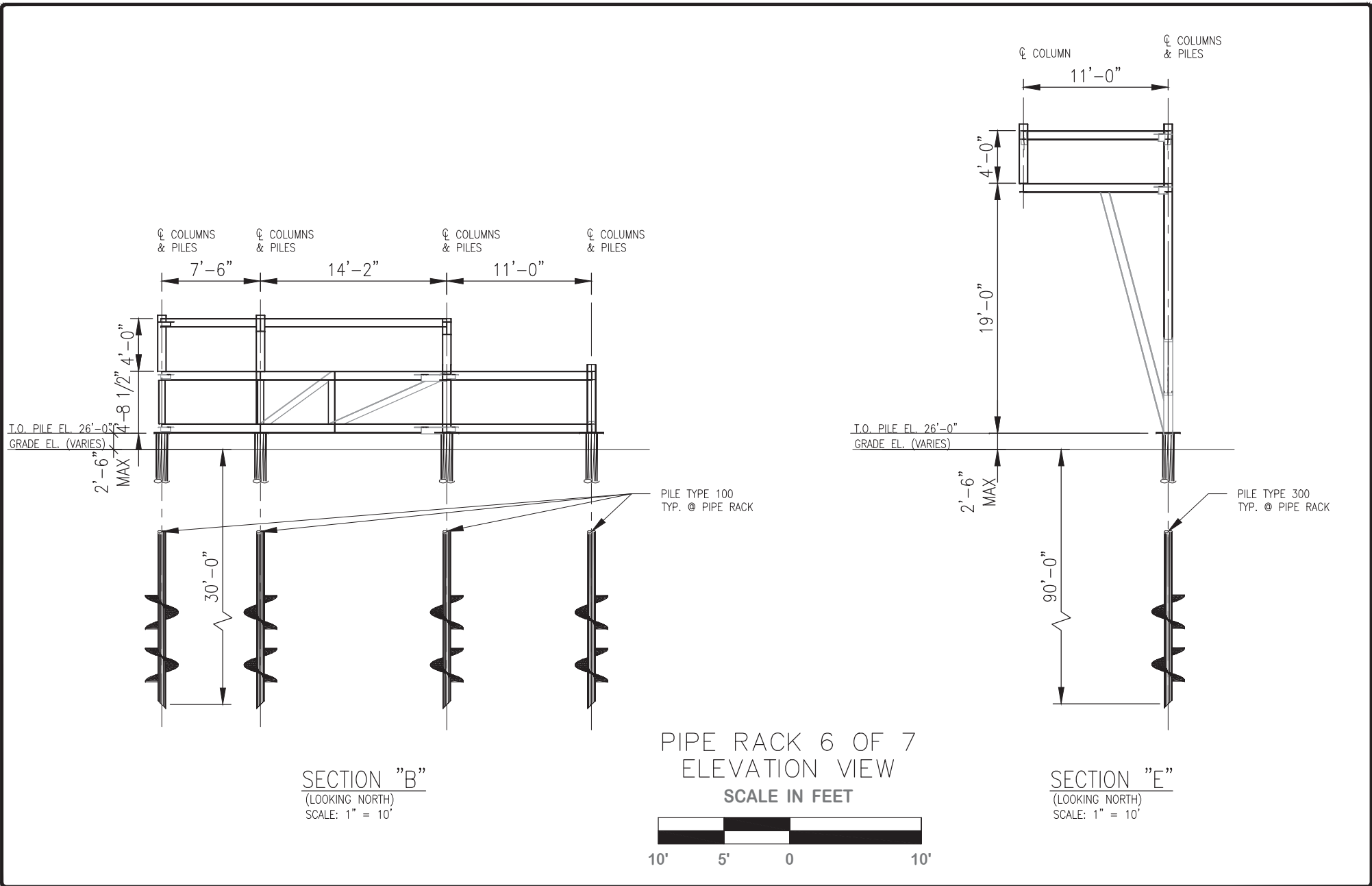
PRELIMINARY
FOR PERMIT PURPOSES ONLY

ELIAS HENRI HAGE
LA PE #28545
HUNTS, GUILLOT & ASSOCIATES, LLC: LICENSE # 2137

HUNTS, GUILLOT & ASSOCIATES, LLC

9357 INTERLINE AVE.
BATON ROUGE, LA 70809

OFFICE: 225.926.1665
FAX: 225.927.6825
www.hga-llc.com



SECTION "B"
(LOOKING NORTH)
SCALE: 1" = 10'

SECTION "E"
(LOOKING NORTH)
SCALE: 1" = 10'

DRAWN XTN
CHECKED EHH
ISSUE DATE 12-17-2021
PROJECT NO. 4.B21051

IMTT NORTH PIPE RACK
PERMIT DRAWINGS

GEISMAR, LOUISIANA
ASCENSION PARISH

FOR IMTT-GEISMAR

REVISION	BY
REVISION #A 12-17-21	XTN

DRAWING NUMBER:
4.B21051-PRMT-15

PRELIMINARY
FOR PERMIT PURPOSES ONLY

ELIAS HENRI HAGE
LA PE #28545

HUNTS, GUILLOT & ASSOCIATES, LLC: LICENSE # 2137



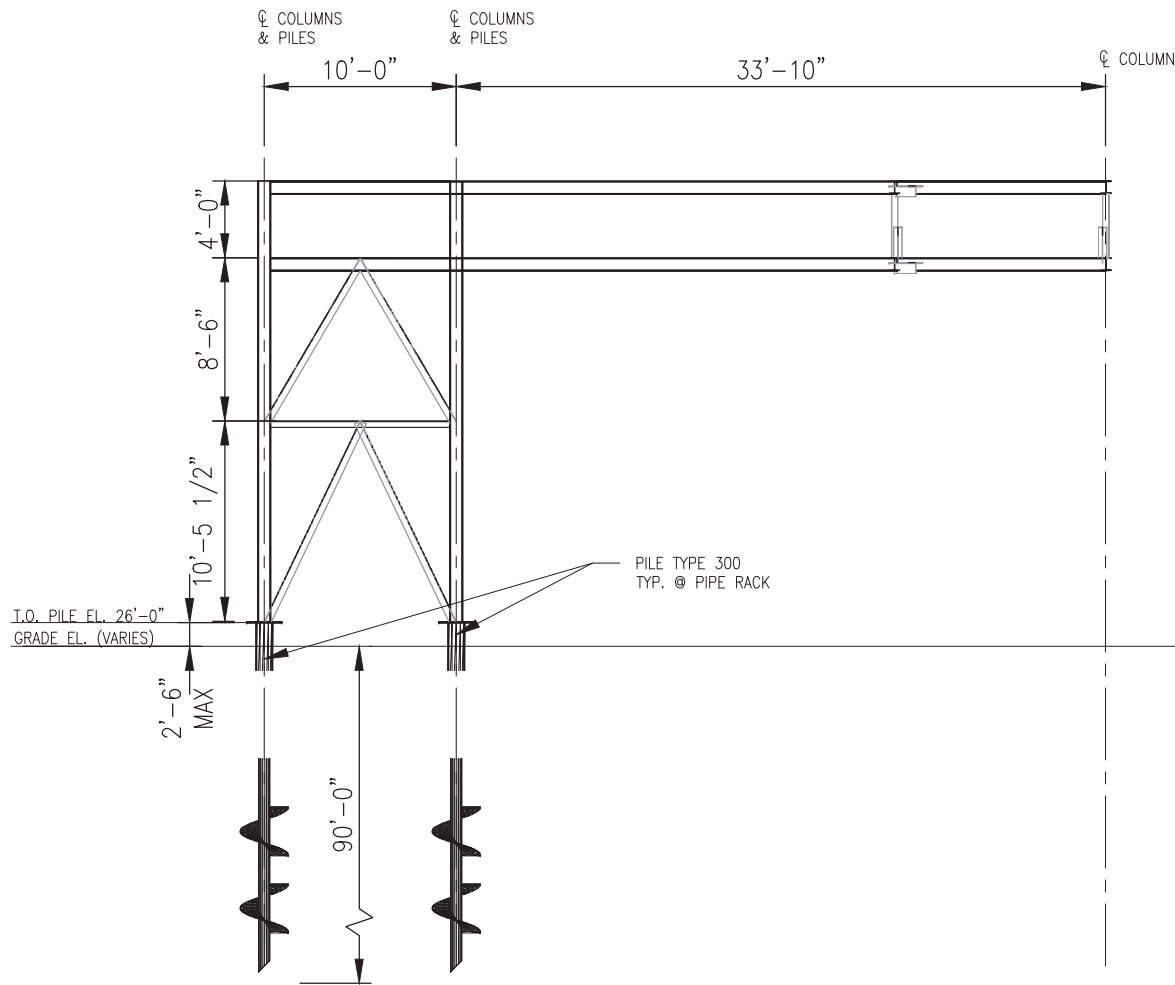
HGA
Engineering

HUNTS, GUILLOT & ASSOCIATES, LLC

9357 INTERLINE AVE.
BATON ROUGE, LA 70809

OFFICE: 225.926.1665
FAX: 225.927.6825

www.hga-llc.com



SECTION "F"
 (LOOKING NORTH)
 SCALE: 1" = 10'

PIPE RACK 7 OF 7
 ELEVATION VIEW
 SCALE IN FEET



DRAWN XTN
CHECKED EHH
ISSUE DATE 12-17-2021
PROJECT NO. 4.B21051

IMTT NORTH PIPE RACK
 PERMIT DRAWINGS

GEISMAR, LOUISIANA
 ASCENSION PARISH

FOR IMTT-GEISMAR

REVISION	BY
REVISION #A 12-17-21	XTN

DRAWING NUMBER:
 4.B21051-PRMT-16

PRELIMINARY
 FOR PERMIT PURPOSES ONLY

ELIAS HENRI HAGE
 LA PE #28545

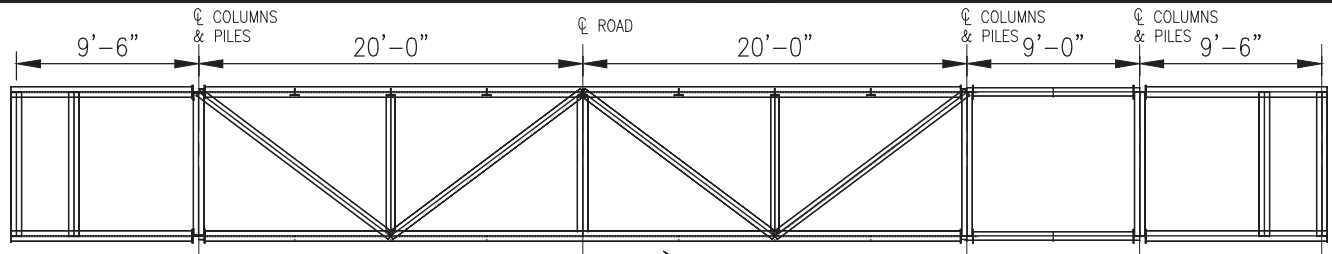
HUNTS, GUILLOT & ASSOCIATES, LLC: LICENSE # 2137

9357 INTERLINE AVE.
 BATON ROUGE, LA 70809

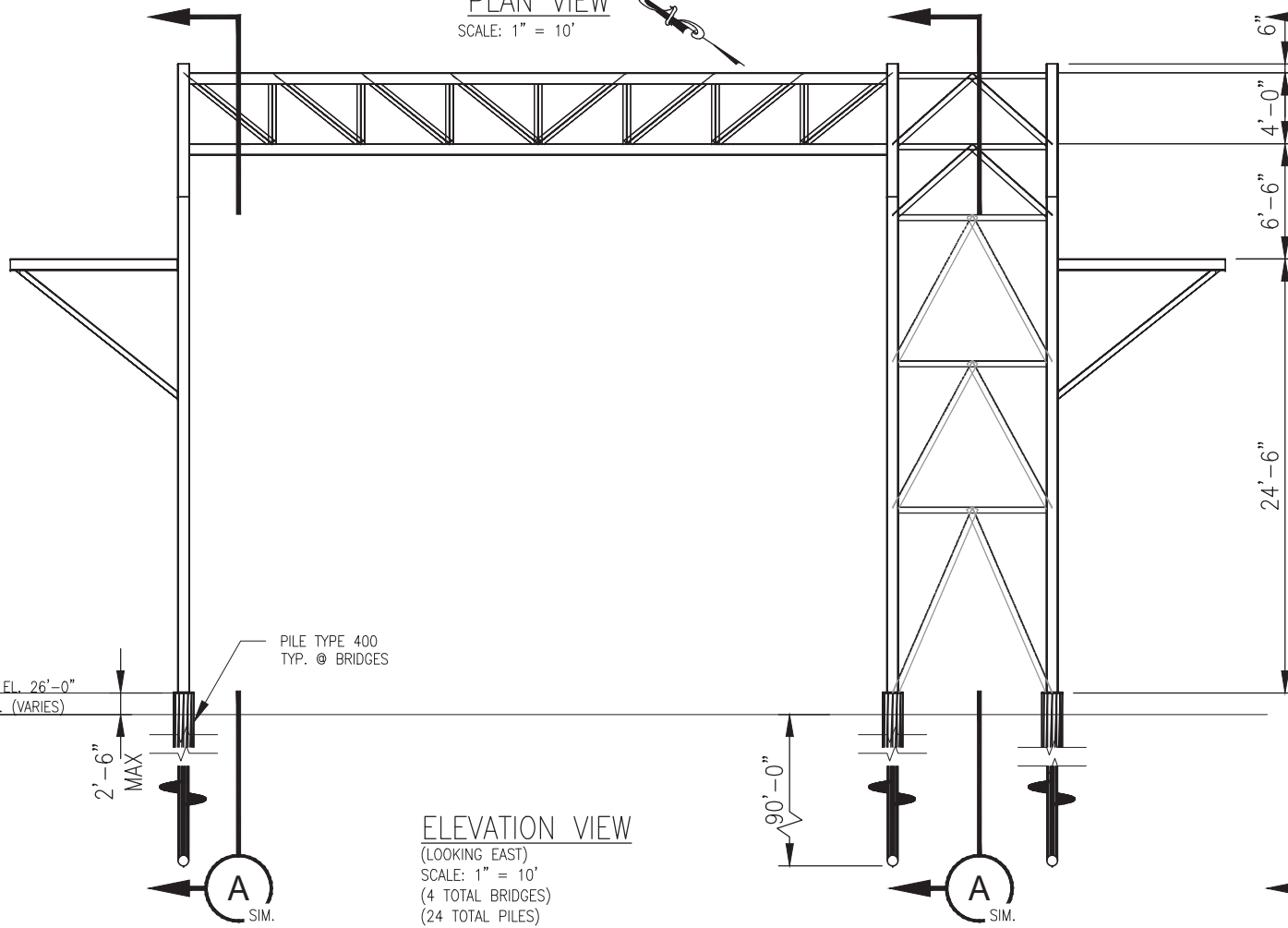
OFFICE: 225.926.1665
 FAX: 225.927.6825
 www.hga-llc.com

HUNTS, GUILLOT & ASSOCIATES, LLC

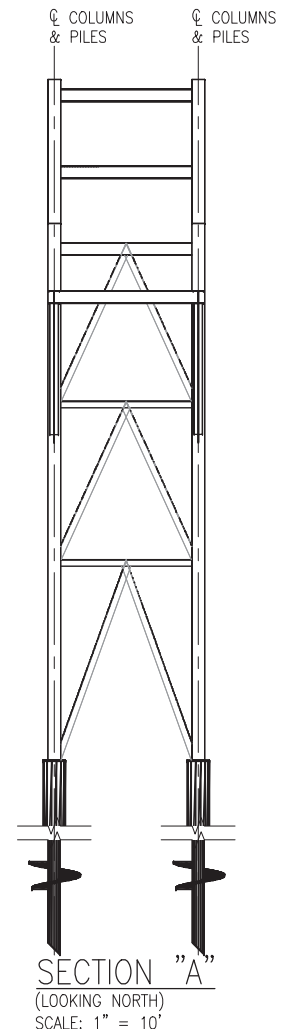
BRIDGE PLAN, ELEVATION
& SECTION
SCALE IN FEET



PLAN VIEW
SCALE: 1" = 10'



ELEVATION VIEW
(LOOKING EAST)
SCALE: 1" = 10'
(4 TOTAL BRIDGES)
(24 TOTAL PILES)



SECTION "A"
(LOOKING NORTH)
SCALE: 1" = 10'

I.O. PILE FL. 26'-0"
GRADE EL. (VARIES)

PILE TYPE 400
TYP. @ BRIDGES

2'-6"
MAX

A
SIM.

A
SIM.

A
TYP.

DRAWN XTN
CHECKED EHH
ISSUE DATE 12-17-2021
PROJECT NO. 4.B21051

IMTT NORTH PIPE RACK
PERMIT DRAWINGS

GEISMAR, LOUISIANA
ASCENSION PARISH

FOR IMTT-GEISMAR

REVISION	BY
REVISION #A 12-17-21	XTN

DRAWING NUMBER:
4.B21051-PRMT-17

PRELIMINARY
FOR PERMIT PURPOSES ONLY

ELIAS HENRI HAGE
LA PE #28545

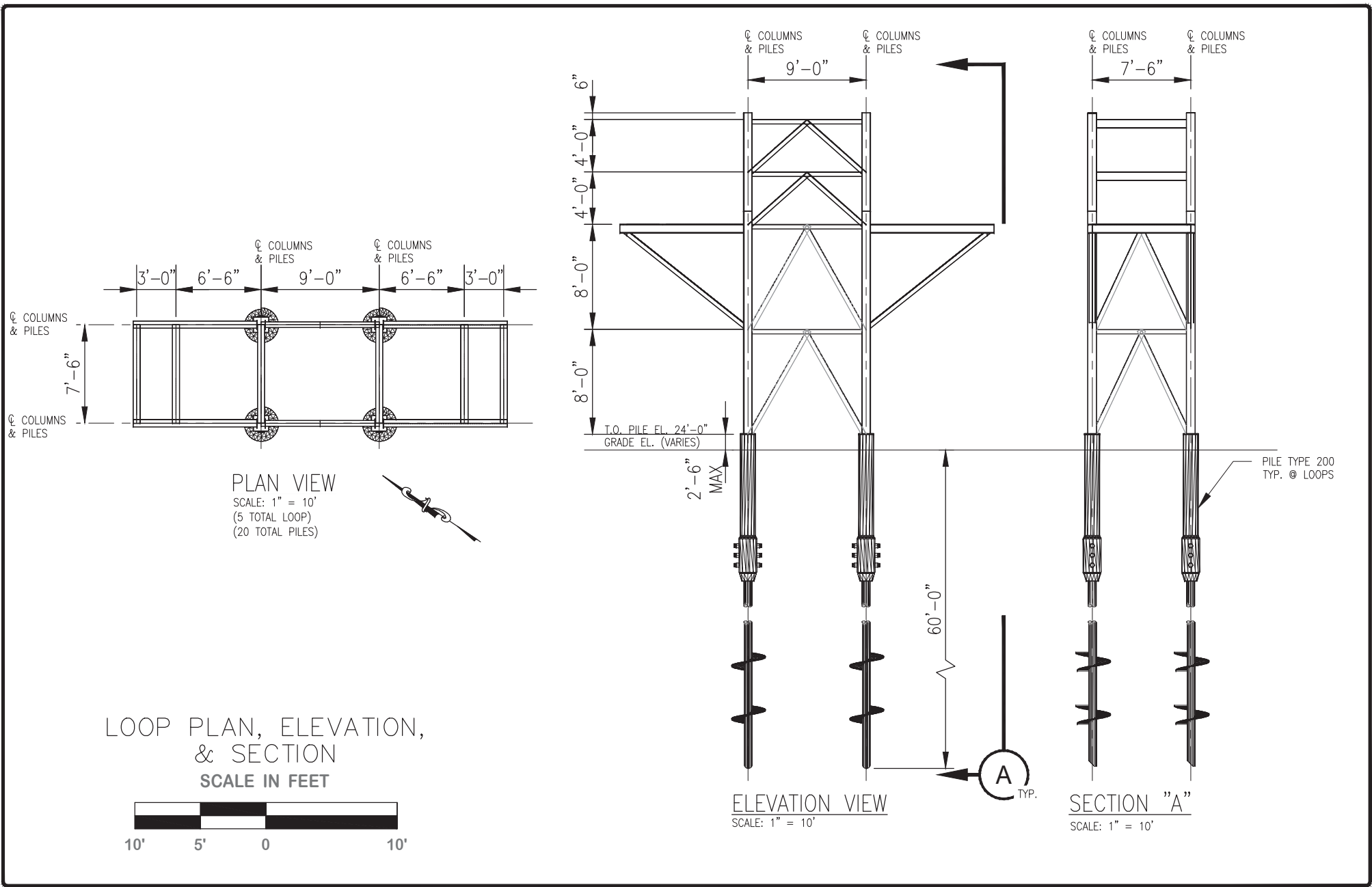
HUNTS, GUILLOT & ASSOCIATES, LLC: LICENSE # 2137

9357 INTERLINE AVE.
BATON ROUGE, LA 70809

OFFICE: 225.926.1665
FAX: 225.927.6825

www.hga-llc.com

HUNTS, GUILLOT & ASSOCIATES, LLC



PLAN VIEW
 SCALE: 1" = 10'
 (5 TOTAL LOOP)
 (20 TOTAL PILES)

LOOP PLAN, ELEVATION,
 & SECTION
 SCALE IN FEET



ELEVATION VIEW
 SCALE: 1" = 10'

SECTION "A"
 SCALE: 1" = 10'

DRAWN XTN
CHECKED EHH
ISSUE DATE 12-17-2021
PROJECT NO. 4.B21051

IMTT NORTH PIPE RACK
 PERMIT DRAWINGS

GEISMAR, LOUISIANA
 ASCENSION PARISH

FOR IMTT-GEISMAR

REVISION	BY
REVISION #A 12-17-21	XTN

DRAWING NUMBER:
 4.B21051-PRMT-18

PRELIMINARY
 FOR PERMIT PURPOSES ONLY

ELIAS HENRI HAGE
 LA PE #28545

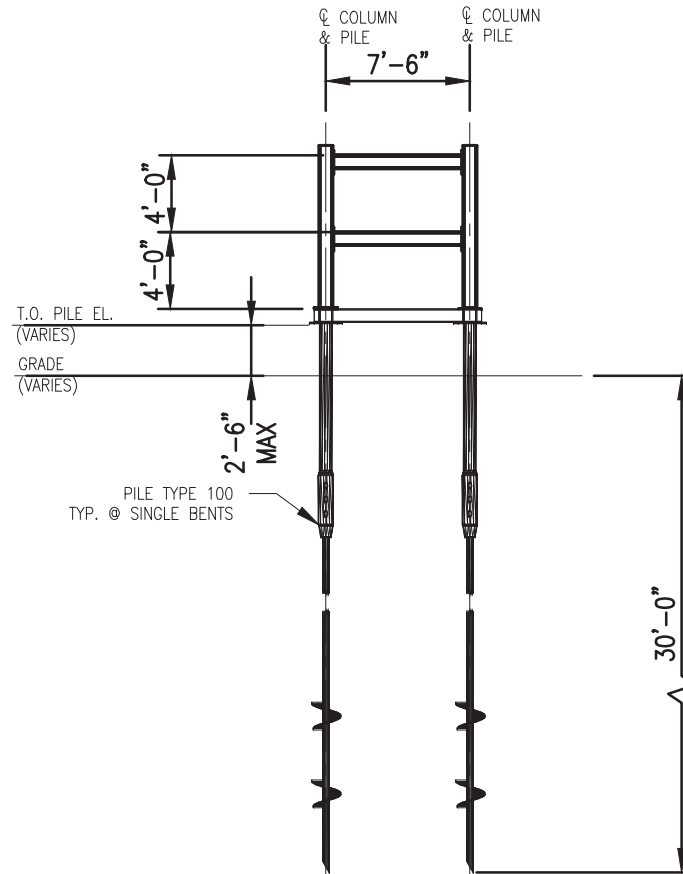
HUNTS, GUILLOT & ASSOCIATES, LLC: LICENSE # 2137

9357 INTERLINE AVE.
 BATON ROUGE, LA 70809

OFFICE: 225.926.1665
 FAX: 225.927.6825
 www.hga-llc.com

HUNTS, GUILLOT & ASSOCIATES, LLC

SINGLE BENT
ELEVATION
SCALE IN FEET



TYPICAL SINGLE
BENT ELEVATION

(LOOKING NORTH)
SCALE: 1" = 10'
(73 TOTAL SINGLE BENT)
(146 TOTAL PILES)

DRAWN XTN
CHECKED EHH
ISSUE DATE 12-17-2021
PROJECT NO. 4.B21051

IMTT NORTH PIPE RACK
PERMIT DRAWINGS

GEISMAR, LOUISIANA
ASCENSION PARISH

FOR IMTT-GEISMAR

REVISION	BY
REVISION #A 12-17-21	XTN

DRAWING NUMBER:
4.B21051-PRMT-19

PRELIMINARY
FOR PERMIT PURPOSES ONLY

ELIAS HENRI HAGE
LA PE #28545

HUNTS, GUILLOT & ASSOCIATES, LLC: LICENSE # 2137

9357 INTERLINE AVE.
BATON ROUGE, LA 70809

OFFICE: 225.926.1665
FAX: 225.927.6825

www.hga-llc.com

HUNTS, GUILLOT & ASSOCIATES, LLC

NOTES:

1. ALL COORDINATES AND ELEVATIONS SHOWN ON THESE DRAWINGS ARE BASED ON THE LOCAL PLANT GRID SYSTEM. ALL COORDINATES, ELEVATIONS AND DIMENSIONS ARE GIVEN IN UNITS OF FEET.
2. HORIZONTAL & VERTICAL CONTROLS ARE BASED UPON EXISTING PLANT MONUMENTS:

MON #1203

MON #1206

N 170.002'
W 5160.004'

N 455.04'
W 5469.17'

EL 23.186'

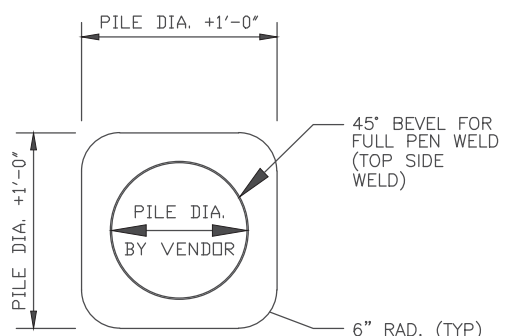
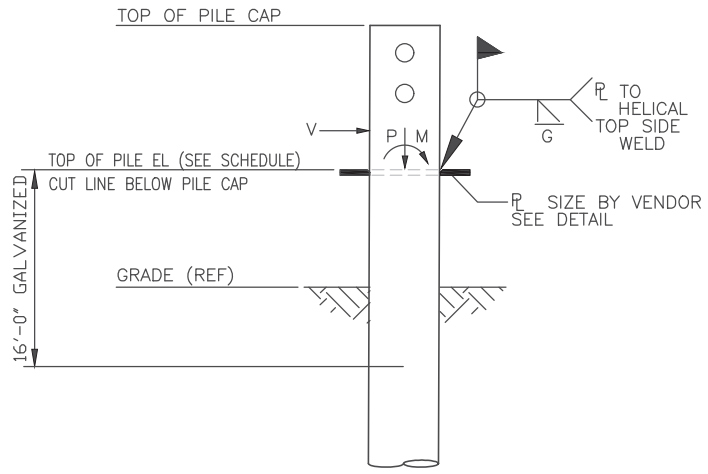
EL 23.20' (REF.)

DESIGN LOADING NOTES:

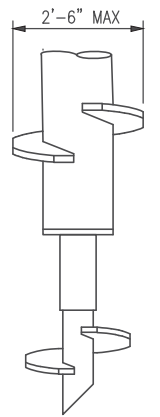
1. CONSIDER LOADING FOR PILE DESIGN AS BEING 2'-6" ABOVE GRADE.

ALLOWABLE (SERVICE LOAD) PILE CAPACITY
- LOADS AND MOMENTS CONCURRENT

PILE TYPE	AXIAL, P (kips)	UPLIFT, P (kips)	LATERAL, V (kips)	MOMENT, M (kips-ft)	QTY
TYPE 100	25	0	3	7	162
TYPE 200	50	15	5	2	20
TYPE 300	76	25	20	11	10
TYPE 400	70	30	8	11	24



CAP PLATE FOR TOP OF PILE
NTS



PILE ELEVATION
NTS

PILE DETAIL

DRAWN XTN
CHECKED EHH
ISSUE DATE 12-17-2021
PROJECT NO. 4.B21051

IMTT NORTH PIPE RACK
PERMIT DRAWINGS

GEISMAR, LOUISIANA
ASCENSION PARISH

FOR IMTT-GEISMAR

REVISION	BY
REVISION #A 12-17-21	XTN

DRAWING NUMBER:
4.B21051-PRMT-20

PRELIMINARY
FOR PERMIT PURPOSES ONLY

ELIAS HENRI HAGE
LA PE #28545
HUNTS, GUILLOT & ASSOCIATES, LLC: LICENSE # 2137

9357 INTERLINE AVE.
BATON ROUGE, LA 70809

OFFICE: 225.926.1665
FAX: 225.927.6825
www.hga-llc.com

HUNTS, GUILLOT & ASSOCIATES, LLC

WBS	PILE NUMBER	STRUCTURAL LOCATION PLAN DRAWING NUMBER	PILE TYPE	CENTERLINE PILE COORDINATES		TOP OF	TIP OF INSTALLED	PILE DIA.	REMARKS
				E/W (FT)	N/S (FT)	INSTALLED PILE	PILE EL (FT)		
	01A	0200-CG-003	TYPE 300	W 5638.82	N 1107.125	26.00	-67.00	30"	
	01B	0200-CG-003	TYPE 300	W 5682.653	N 1112.957	26.00	-67.00	30"	
	01C	0200-CG-003	TYPE 300	W 5672.653	N 1112.957	26.00	-67.00	30"	
	01D	0200-CG-003	TYPE 300	W 5682.653	N 1134.29	26.00	-67.00	30"	
	01E	0200-CG-003	TYPE 300	W 5672.653	N 1134.29	26.00	-67.00	30"	
	01F	0200-CG-003	TYPE 300	W 5638.82	N 1155.625	26.00	-67.00	30"	
	01G	0200-CG-003	TYPE 300	W 5682.653	N 1169.29	26.00	-67.00	30"	
	01H	0200-CG-003	TYPE 300	W 5672.653	N 1169.29	26.00	-67.00	30"	
	002	0200-CG-003	TYPE 300	W 5649.82	N 1203.625	26.00	-67.00	30"	
	003	0200-CG-003	TYPE 300	W 5638.82	N 1203.625	26.00	-67.00	30"	
	004	0200-CG-003	TYPE 100	W 5653.82	N 1222.625	26.29	-6.71	30"	
	005	0200-CG-003	TYPE 100	W 5642.82	N 1222.625	26.29	-6.71	30"	
	006	0200-CG-003	TYPE 100	W 5653.82	N 1241.625	26.29	-6.71	30"	
	007	0200-CG-003	TYPE 100	W 5642.82	N 1241.625	26.29	-6.71	30"	
	008	0200-CG-003	TYPE 100	W 5653.82	N 1258.125	26.29	-6.71	30"	
	009	0200-CG-003	TYPE 100	W 5642.82	N 1258.125	26.29	-6.71	30"	
	010	0200-CG-003	TYPE 100	W 5668.07	N 1269.25	26.29	-6.71	30"	
	011	0200-CG-003	TYPE 100	W 5653.82	N 1269.286	26.29	-6.71	30"	
	012	0200-CG-003	TYPE 100	W 5675.484	N 1281.162	26.29	-6.71	30"	
	013	0200-CG-003	TYPE 100	W 5667.984	N 1281.129	26.29	-6.71	30"	
	014	0200-CG-003	TYPE 100	W 5653.82	N 1281.125	26.29	-6.71	30"	
	015	0200-CG-003	TYPE 100	W 5642.82	N 1281.125	26.29	-6.71	30"	
	016	0200-CG-003	TYPE 100	W 5675.213	N 1309.507	26.29	-6.71	30"	
	017	0200-CG-003	TYPE 100	W 5667.713	N 1309.473	26.29	-6.71	30"	
	018	0200-CG-003	TYPE 100	W 5675.089	N 1337.403	26.29	-6.71	30"	
	019	0200-CG-003	TYPE 100	W 5667.589	N 1337.369	26.29	-6.71	30"	
	020	0200-CG-003	TYPE 400	W 5675.176	N 1351.402	26.00	-67.00	30"	
	021	0200-CG-003	TYPE 400	W 5667.676	N 1351.368	26.00	-67.00	30"	
	022	0200-CG-003	TYPE 400	W 5675.136	N 1360.401	26.00	-67.00	30"	
	023	0200-CG-003	TYPE 400	W 5667.636	N 1360.368	26.00	-67.00	30"	
	024	0200-CG-003	TYPE 400	W 5674.958	N 1400.401	26.00	-67.00	30"	

PILE SCHEDULE
1 OF 7

DRAWN
XTN
CHECKED
EHH
ISSUE DATE
12-17-2021
PROJECT NO.
4.B21051

IMTT NORTH PIPE RACK
PERMIT DRAWINGS
GEISMAR, LOUISIANA
ASCENSION PARISH
FOR IMTT-GEISMAR

REVISION	BY
REVISION #A 12-17-21	XTN

DRAWING NUMBER:
4.B21051-PRMT-21
PRELIMINARY
FOR PERMIT PURPOSES ONLY
ELIAS HENRI HAGE
LA PE #28545
HUNTS, GUILLOT & ASSOCIATES, LLC: LICENSE # 2137



9357 INTERLINE AVE.
BATON ROUGE, LA 70809
OFFICE: 225.926.1665
FAX: 225.927.6825
www.hga-llc.com
HUNTS, GUILLOT & ASSOCIATES, LLC

WBS	PILE NUMBER	STRUCTURAL LOCATION PLAN DRAWING NUMBER	PILE TYPE	CENTERLINE PILE COORDINATES		TOP OF	TIP OF INSTALLED	PILE DIA.	REMARKS
				E/W (FT)	N/S (FT)	INSTALLED PILE	PILE EL (FT)		
	025	0200-CG-003	TYPE 400	W 5667.458	N 1400.368	26.00	-67.00	30"	
	026	0200-CG-003	TYPE 100	W 5674.893	N 1414.402	26.29	-6.71	30"	
	027	0200-CG-003	TYPE 100	W 5667.393	N 1414.368	26.29	-6.71	30"	
	028	0200-CG-003	TYPE 100	W 5674.776	N 1440.852	26.29	-6.71	30"	
	029	0200-CG-003	TYPE 100	W 5667.276	N 1440.818	26.29	-6.71	30"	
	030	0200-CG-003	TYPE 100	W 5674.65	N 1469.303	26.29	-6.71	30"	
	031	0200-CG-003	TYPE 100	W 5667.15	N 1469.269	26.29	-6.71	30"	
	032	0200-CG-003	TYPE 100	W 5674.524	N 1497.754	26.29	-6.71	30"	
	033	0200-CG-003	TYPE 100	W 5667.024	N 1497.72	26.29	-6.71	30"	
	034	0200-CG-003	TYPE 100	W 5674.397	N 1526.205	26.29	-6.71	30"	
	035	0200-CG-003	TYPE 100	W 5666.897	N 1526.171	26.29	-6.71	30"	
	036	0200-CG-003	TYPE 100	W 5674.271	N 1554.656	26.29	-6.71	30"	
	037	0200-CG-003	TYPE 100	W 5666.771	N 1554.622	26.29	-6.71	30"	
	038	0200-CG-003	TYPE 100	W 5674.145	N 1583.107	26.29	-6.71	30"	
	039	0200-CG-003	TYPE 100	W 5666.645	N 1583.073	26.29	-6.71	30"	
	040	0200-CG-003	TYPE 100	W 5674.019	N 1611.558	26.29	-6.71	30"	
	041	0200-CG-003	TYPE 100	W 5666.519	N 1611.524	26.29	-6.71	30"	
	042	0200-CG-003	TYPE 100	W 5673.902	N 1638.009	26.29	-6.71	30"	
	043	0200-CG-003	TYPE 100	W 5666.402	N 1637.975	26.29	-6.71	30"	
	044	0200-CG-003	TYPE 400	W 5673.841	N 1652.008	26.00	-67.00	30"	
	045	0200-CG-003	TYPE 400	W 5666.341	N 1651.975	26.00	-67.00	30"	
	046	0200-CG-003	TYPE 400	W 5673.801	N 1661.008	26.00	-67.00	30"	
	047	0200-CG-003	TYPE 400	W 5666.301	N 1660.974	26.00	-67.00	30"	
	048	0200-CG-003	TYPE 400	W 5673.623	N 1701.007	26.00	-67.00	30"	
	049	0200-CG-003	TYPE 400	W 5666.123	N 1700.974	26.00	-67.00	30"	
	050	0200-CG-003	TYPE 100	W 5673.56	N 1715.008	26.29	-6.71	30"	
	051	0200-CG-003	TYPE 100	W 5666.06	N 1714.974	26.29	-6.71	30"	
	052	0200-CG-003	TYPE 100	W 5673.455	N 1738.822	26.29	-6.71	30"	
	053	0200-CG-003	TYPE 100	W 5665.955	N 1738.788	26.29	-6.71	30"	
	054	0200-CG-003	TYPE 100	W 5673.34	N 1764.636	26.29	-6.71	30"	
	055	0200-CG-003	TYPE 100	W 5665.84	N 1764.602	26.29	-6.71	30"	

PILE SCHEDULE
2 OF 7

DRAWN XTN
CHECKED EHH
ISSUE DATE 12-17-2021
PROJECT NO. 4.B21051

IMTT NORTH PIPE RACK
PERMIT DRAWINGS

GEISMAR, LOUISIANA
ASCENSION PARISH

FOR IMTT-GEISMAR

REVISION	BY
REVISION #A 12-17-21	XTN

DRAWING NUMBER:
4.B21051-PRMT-22

PRELIMINARY
FOR PERMIT PURPOSES ONLY

ELIAS HENRI HAGE
LA PE #28545

HUNTS, GUILLOT & ASSOCIATES, LLC: LICENSE # 2137



HUNTS, GUILLOT & ASSOCIATES, LLC

9357 INTERLINE AVE.
BATON ROUGE, LA 70809

OFFICE: 225.926.1665
FAX: 225.927.6825

www.hga-llc.com

WBS	PILE NUMBER	STRUCTURAL LOCATION PLAN DRAWING NUMBER	PILE TYPE	CENTERLINE PILE COORDINATES		TOP OF	TIP OF INSTALLED	PILE DIA.	REMARKS
				E/W (FT)	N/S (FT)	INSTALLED PILE	PILE EL (FT)		
	056	0200-CG-003	TYPE 100	W 5673.235	N 1788.45	26.29	-6.71	30"	
	057	0200-CG-004	TYPE 100	W 5665.735	N 1788.416	26.29	-6.71	30"	
	058	0200-CG-004	TYPE 400	W 5673.175	N 1802.449	26.00	-67.00	30"	
	059	0200-CG-004	TYPE 400	W 5665.676	N 1802.416	26.00	-67.00	30"	
	060	0200-CG-004	TYPE 400	W 5673.135	N 1811.449	26.00	-67.00	30"	
	061	0200-CG-004	TYPE 400	W 5665.635	N 1811.416	26.00	-67.00	30"	
	062	0200-CG-004	TYPE 400	W 5672.957	N 1851.449	26.00	-67.00	30"	
	063	0200-CG-004	TYPE 400	W 5665.457	N 1851.415	26.00	-67.00	30"	
	064	0200-CG-004	TYPE 100	W 5672.893	N 1865.449	26.29	-6.71	30"	
	065	0200-CG-004	TYPE 100	W 5665.393	N 1865.416	26.29	-6.71	30"	
	066	0200-CG-004	TYPE 100	W 5672.746	N 1884.159	26.29	-6.71	30"	
	067	0200-CG-004	TYPE 100	W 5665.246	N 1884.125	26.29	-6.71	30"	
	068	0200-CG-004	TYPE 100	W 5672.356	N 1914.242	26.29	-6.71	30"	
	069	0200-CG-004	TYPE 100	W 5664.859	N 1914.034	26.29	-6.71	30"	
	070	0200-CG-004	TYPE 100	W 5672.121	N 1922.63	26.29	-6.71	30"	
	071	0200-CG-004	TYPE 100	W 5664.624	N 1922.422	26.29	-6.71	30"	
	072	0200-CG-004	TYPE 400	W 5671.732	N 1936.625	26.00	-67.00	30"	
	073	0200-CG-004	TYPE 400	W 5664.235	N 1936.417	26.00	-67.00	30"	
	074	0200-CG-004	TYPE 400	W 5671.483	N 1945.622	26.00	-67.00	30"	
	075	0200-CG-004	TYPE 400	W 5663.986	N 1945.414	26.00	-67.00	30"	
	076	0200-CG-004	TYPE 400	W 5670.373	N 1985.606	26.00	-67.00	30"	
	077	0200-CG-004	TYPE 400	W 5662.876	N 1985.398	26.00	-67.00	30"	
	078	0200-CG-004	TYPE 100	W 5669.982	N 1999.6	22.29	-10.71	30"	
	079	0200-CG-004	TYPE 100	W 5662.485	N 1999.392	22.29	-10.71	30"	
	080	0200-CG-004	TYPE 100	W 5669.202	N 2027.653	22.29	-10.71	30"	
	081	0200-CG-004	TYPE 100	W 5661.705	N 2027.444	22.29	-10.71	30"	
	082	0200-CG-004	TYPE 100	W 5668.369	N 2057.641	22.29	-10.71	30"	
	083	0200-CG-004	TYPE 100	W 5660.872	N 2057.433	22.29	-10.71	30"	
	084	0200-CG-004	TYPE 100	W 5667.536	N 2087.63	22.29	-10.71	30"	
	085	0200-CG-004	TYPE 100	W 5660.039	N 2087.421	22.29	-10.71	30"	
	086	0200-CG-004	TYPE 100	W 5666.702	N 2117.618	22.29	-10.71	30"	

PILE SCHEDULE
3 OF 7

DRAWN XTN
CHECKED EHH
ISSUE DATE 12-17-2021
PROJECT NO. 4.B21051

IMTT NORTH PIPE RACK
PERMIT DRAWINGS

GEISMAR, LOUISIANA
ASCENSION PARISH
FOR IMTT-GEISMAR

REVISION	BY
REVISION #A 12-17-21	XTN

DRAWING NUMBER:
4.B21051-PRMT-23

PRELIMINARY
FOR PERMIT PURPOSES ONLY
ELIAS HENRI HAGE
LA PE #28545
HUNTS, GUILLOT & ASSOCIATES, LLC: LICENSE # 2137



HUNTS, GUILLOT & ASSOCIATES, LLC

9357 INTERLINE AVE.
BATON ROUGE, LA 70809
OFFICE: 225.926.1665
FAX: 225.927.6825
www.hga-llc.com

WBS	PILE NUMBER	STRUCTURAL LOCATION PLAN DRAWING NUMBER	PILE TYPE	CENTERLINE PILE COORDINATES		TOP OF INSTALLED PILE	TIP OF INSTALLED PILE EL (FT)	PILE DIA.	REMARKS
				E/W (FT)	N/S (FT)				
	087	0200-CG-004	TYPE 100	W 5659.205	N 2117.41	22.29	-10.71	30"	
	088	0200-CG-004	TYPE 100	W 5665.869	N 2147.607	22.29	-10.71	30"	
	089	0200-CG-004	TYPE 100	W 5658.372	N 2147.398	22.29	-10.71	30"	
	090	0200-CG-004	TYPE 100	W 5665.036	N 2177.595	22.29	-10.71	30"	
	091	0200-CG-004	TYPE 100	W 5657.538	N 2177.387	22.29	-10.71	30"	
	092	0200-CG-004	TYPE 100	W 5664.202	N 2207.583	22.29	-10.71	30"	
	093	0200-CG-004	TYPE 100	W 5656.705	N 2207.375	22.29	-10.71	30"	
	094	0200-CG-004	TYPE 100	W 5663.369	N 2237.572	22.29	-10.71	30"	
	095	0200-CG-004	TYPE 100	W 5655.872	N 2237.363	22.29	-10.71	30"	
	096	0200-CG-004	TYPE 100	W 5662.924	N 2253.568	22.29	-10.71	30"	
	097	0200-CG-004	TYPE 100	W 5655.427	N 2253.36	22.29	-10.71	30"	
	098	0200-CG-004	TYPE 200	W 5662.535	N 2267.562	21.00	-42.00	30"	
	099	0200-CG-004	TYPE 200	W 5655.038	N 2267.354	21.00	-42.00	30"	
	100	0200-CG-004	TYPE 200	W 5662.285	N 2276.559	21.00	-42.00	30"	
	101	0200-CG-004	TYPE 200	W 5654.788	N 2276.351	21.00	-42.00	30"	
	102	0200-CG-004	TYPE 100	W 5660.759	N 2290.929	21.29	-11.71	30"	
	103	0200-CG-004	TYPE 100	W 5653.349	N 2289.765	21.29	-11.71	30"	
	104	0200-CG-004	TYPE 100	W 5656.104	N 2320.566	21.29	-11.71	30"	
	105	0200-CG-004	TYPE 100	W 5648.695	N 2319.402	21.29	-11.71	30"	
	106	0200-CG-004	TYPE 100	W 5651.45	N 2350.202	21.29	-11.71	30"	
	107	0200-CG-004	TYPE 100	W 5644.041	N 2349.039	21.29	-11.71	30"	
	108	0200-CG-004	TYPE 100	W 5646.796	N 2379.839	21.29	-11.71	30"	
	109	0200-CG-004	TYPE 100	W 5639.386	N 2378.676	21.29	-11.71	30"	
	110	0200-CG-004	TYPE 100	W 5642.141	N 2409.476	21.29	-11.71	30"	
	111	0200-CG-005	TYPE 100	W 5634.732	N 2408.312	21.29	-11.71	30"	
	112	0200-CG-005	TYPE 100	W 5637.487	N 2439.113	21.29	-11.71	30"	
	113	0200-CG-005	TYPE 100	W 5630.078	N 2437.949	21.29	-11.71	30"	
	114	0200-CG-005	TYPE 100	W 5632.833	N 2468.75	21.29	-11.71	30"	
	115	0200-CG-005	TYPE 100	W 5625.423	N 2467.586	21.29	-11.71	30"	
	116	0200-CG-005	TYPE 100	W 5628.178	N 2498.386	21.29	-11.71	30"	
	117	0200-CG-005	TYPE 100	W 5620.769	N 2497.223	21.29	-11.71	30"	

PILE SCHEDULE
4 OF 7

DRAWN XTN
CHECKED EHH
ISSUE DATE 12-17-2021
PROJECT NO. 4.B21051

IMTT NORTH PIPE RACK
PERMIT DRAWINGS

GEISMAR, LOUISIANA
ASCENSION PARISH
FOR IMTT-GEISMAR

REVISION	BY
REVISION # 12-17-21	XTN

DRAWING NUMBER:
4.B21051-PRMT-24

PRELIMINARY
FOR PERMIT PURPOSES ONLY
ELIAS HENRI HAGE
LA PE #28545
HUNTS, GUILLOT & ASSOCIATES, LLC: LICENSE # 2137



HUNTS, GUILLOT & ASSOCIATES, LLC

9357 INTERLINE AVE.
BATON ROUGE, LA 70809

OFFICE: 225.926.1665
FAX: 225.927.6825
www.hga-llc.com

WBS	PILE NUMBER	STRUCTURAL LOCATION PLAN DRAWING NUMBER	PILE TYPE	CENTERLINE PILE COORDINATES		TOP OF	TIP OF INSTALLED	PILE DIA.	REMARKS
				E/W (FT)	N/S (FT)	INSTALLED PILE	PILE EL (FT)		
	118	0200-CG-005	TYPE 100	W 5623.524	N 2528.023	21.29	-11.71	30"	
	119	0200-CG-005	TYPE 100	W 5616.115	N 2526.859	21.29	-11.71	30"	
	120	0200-CG-005	TYPE 100	W 5619.178	N 2555.706	21.29	-11.71	30"	
	121	0200-CG-005	TYPE 100	W 5611.769	N 2554.542	21.29	-11.71	30"	
	122	0200-CG-005	TYPE 200	W 5617.006	N 2569.536	21.00	-42.00	30"	
	123	0200-CG-005	TYPE 200	W 5609.597	N 2568.372	21.00	-42.00	30"	
	124	0200-CG-005	TYPE 200	W 5615.61	N 2578.427	21.00	-42.00	30"	
	125	0200-CG-005	TYPE 200	W 5608.201	N 2577.263	21.00	-42.00	30"	
	126	0200-CG-005	TYPE 100	W 5613.438	N 2592.258	22.29	-10.71	30"	
	127	0200-CG-005	TYPE 100	W 5606.028	N 2591.094	22.29	-10.71	30"	
	128	0200-CG-005	TYPE 100	W 5609.094	N 2619.919	22.29	-10.71	30"	
	129	0200-CG-005	TYPE 100	W 5601.684	N 2618.755	22.29	-10.71	30"	
	130	0200-CG-005	TYPE 100	W 5604.439	N 2649.556	22.29	-10.71	30"	
	131	0200-CG-005	TYPE 100	W 5597.03	N 2648.392	22.29	-10.71	30"	
	132	0200-CG-005	TYPE 100	W 5599.785	N 2679.193	22.29	-10.71	30"	
	133	0200-CG-005	TYPE 100	W 5592.376	N 2678.029	22.29	-10.71	30"	
	134	0200-CG-005	TYPE 100	W 5595.131	N 2708.829	22.29	-10.71	30"	
	135	0200-CG-005	TYPE 100	W 5587.721	N 2707.666	22.29	-10.71	30"	
	136	0200-CG-005	TYPE 100	W 5590.476	N 2738.466	22.29	-10.71	30"	
	137	0200-CG-005	TYPE 100	W 5583.067	N 2737.302	22.29	-10.71	30"	
	138	0200-CG-005	TYPE 100	W 5585.822	N 2768.103	22.29	-10.71	30"	
	139	0200-CG-005	TYPE 100	W 5578.413	N 2766.939	22.29	-10.71	30"	
	140	0200-CG-005	TYPE 100	W 5581.168	N 2797.74	22.29	-10.71	30"	
	141	0200-CG-005	TYPE 100	W 5573.758	N 2796.576	22.29	-10.71	30"	
	142	0200-CG-005	TYPE 100	W 5576.513	N 2827.376	22.29	-10.71	30"	
	143	0200-CG-005	TYPE 100	W 5569.104	N 2826.213	22.29	-10.71	30"	
	144	0200-CG-005	TYPE 100	W 5572.169	N 2855.037	22.29	-10.71	30"	
	145	0200-CG-005	TYPE 100	W 5564.759	N 2853.874	22.29	-10.71	30"	
	146	0200-CG-005	TYPE 200	W 5569.997	N 2868.867	22.00	-41.00	30"	
	147	0200-CG-005	TYPE 200	W 5562.588	N 2867.704	22.00	-41.00	30"	
	148	0200-CG-005	TYPE 200	W 5568.601	N 2877.758	22.00	-41.00	30"	

PILE SCHEDULE
5 OF 7

DRAWN XTN
CHECKED EHH
ISSUE DATE 12-17-2021
PROJECT NO. 4.B21051

IMTT NORTH PIPE RACK
PERMIT DRAWINGS

GEISMAR, LOUISIANA
ASCENSION PARISH
FOR IMTT-GEISMAR

REVISION	BY
REVISION #A 12-17-21	XTN

DRAWING NUMBER:
4.B21051-PRMT-25

PRELIMINARY
FOR PERMIT PURPOSES ONLY
ELIAS HENRI HAGE
LA PE #28545
HUNTS, GUILLOT & ASSOCIATES, LLC: LICENSE # 2137



HUNTS, GUILLOT & ASSOCIATES, LLC

9357 INTERLINE AVE.
BATON ROUGE, LA 70809
OFFICE: 225.926.1665
FAX: 225.927.6825
www.hga-llc.com

WBS	PILE NUMBER	STRUCTURAL LOCATION PLAN DRAWING NUMBER	PILE TYPE	CENTERLINE PILE COORDINATES		TOP OF	TIP OF INSTALLED	PILE DIA.	REMARKS
				E/W (FT)	N/S (FT)	INSTALLED PILE	PILE EL (FT)		
	149	0200-CG-006	TYPE 200	W 5561.192	N 2876.595	22.00	-41.00	30"	
	150	0200-CG-006	TYPE 100	W 5566.429	N 2891.589	22.29	-10.71	30"	
	151	0200-CG-006	TYPE 100	W 5559.02	N 2890.426	22.29	-10.71	30"	
	152	0200-CG-006	TYPE 100	W 5562.085	N 2919.25	22.29	-10.71	30"	
	153	0200-CG-006	TYPE 100	W 5554.676	N 2918.087	22.29	-10.71	30"	
	154	0200-CG-006	TYPE 100	W 5557.43	N 2948.887	22.29	-10.71	30"	
	155	0200-CG-006	TYPE 100	W 5550.021	N 2947.723	22.29	-10.71	30"	
	156	0200-CG-006	TYPE 100	W 5552.776	N 2978.524	22.29	-10.71	30"	
	157	0200-CG-006	TYPE 100	W 5545.367	N 2977.36	22.29	-10.71	30"	
	158	0200-CG-006	TYPE 100	W 5548.122	N 3008.16	22.29	-10.71	30"	
	159	0200-CG-006	TYPE 100	W 5540.713	N 3006.997	22.29	-10.71	30"	
	160	0200-CG-006	TYPE 100	W 5543.467	N 3037.797	22.29	-10.71	30"	
	161	0200-CG-006	TYPE 100	W 5536.058	N 3036.634	22.29	-10.71	30"	
	162	0200-CG-006	TYPE 100	W 5538.813	N 3067.434	22.29	-10.71	30"	
	163	0200-CG-006	TYPE 100	W 5531.404	N 3066.27	22.29	-10.71	30"	
	164	0200-CG-006	TYPE 100	W 5534.159	N 3097.071	22.29	-10.71	30"	
	165	0200-CG-006	TYPE 100	W 5526.75	N 3095.907	22.29	-10.71	30"	
	166	0200-CG-006	TYPE 100	W 5529.504	N 3126.707	22.29	-10.71	30"	
	167	0200-CG-006	TYPE 100	W 5522.095	N 3125.544	22.29	-10.71	30"	
	168	0200-CG-006	TYPE 100	W 5525.16	N 3154.368	22.29	-10.71	30"	
	169	0200-CG-006	TYPE 100	W 5517.751	N 3153.205	22.29	-10.71	30"	
	170	0200-CG-006	TYPE 200	W 5522.988	N 3168.198	22.00	-41.00	30"	
	171	0200-CG-006	TYPE 200	W 5515.579	N 3167.035	22.00	-41.00	30"	
	172	0200-CG-006	TYPE 200	W 5521.592	N 3177.089	22.00	-41.00	30"	
	173	0200-CG-006	TYPE 200	W 5514.183	N 3175.926	22.00	-41.00	30"	
	174	0200-CG-006	TYPE 100	W 5519.42	N 3190.92	22.29	-10.71	30"	
	175	0200-CG-006	TYPE 100	W 5512.011	N 3189.757	22.29	-10.71	30"	
	176	0200-CG-006	TYPE 100	W 5515.076	N 3218.581	22.29	-10.71	30"	
	177	0200-CG-006	TYPE 100	W 5507.667	N 3217.418	22.29	-10.71	30"	
	178	0200-CG-006	TYPE 100	W 5510.422	N 3248.218	22.29	-10.71	30"	
	179	0200-CG-006	TYPE 100	W 5503.012	N 3247.055	22.29	-10.71	30"	

PILE SCHEDULE
6 OF 7

DRAWN XTN
CHECKED EHH
ISSUE DATE 12-17-2021
PROJECT NO. 4.B21051

IMTT NORTH PIPE RACK
PERMIT DRAWINGS

GEISMAR, LOUISIANA
ASCENSION PARISH
FOR IMTT-GEISMAR

REVISION	BY
REVISION # 12-17-21	XTN

DRAWING NUMBER:
4.B21051-PRMT-26

PRELIMINARY
FOR PERMIT PURPOSES ONLY
ELIAS HENRI HAGE
LA PE #28545
HUNTS, GUILLOT & ASSOCIATES, LLC: LICENSE # 2137



HUNTS, GUILLOT & ASSOCIATES, LLC

9357 INTERLINE AVE.
BATON ROUGE, LA 70809
OFFICE: 225.926.1665
FAX: 225.927.6825
www.hga-llc.com

WBS	PILE NUMBER	STRUCTURAL LOCATION PLAN DRAWING NUMBER	PILE TYPE	CENTERLINE PILE COORDINATES		TOP OF INSTALLED PILE	TIP OF INSTALLED PILE EL (FT)	PILE DIA.	REMARKS
				E/W (FT)	N/S (FT)				
	180	0200-CG-006	TYPE 100	W 5505.767	N 3277.855	22.29	-10.71	30"	
	181	0200-CG-006	TYPE 100	W 5498.358	N 3276.691	22.29	-10.71	30"	
	182	0200-CG-006	TYPE 100	W 5501.113	N 3307.492	22.29	-10.71	30"	
	183	0200-CG-007	TYPE 100	W 5493.704	N 3306.328	22.29	-10.71	30"	
	184	0200-CG-007	TYPE 100	W 5496.459	N 3337.128	22.29	-10.71	30"	
	185	0200-CG-007	TYPE 100	W 5489.05	N 3335.965	22.29	-10.71	30"	
	186	0200-CG-007	TYPE 100	W 5491.804	N 3366.765	22.29	-10.71	30"	
	187	0200-CG-007	TYPE 100	W 5484.395	N 3365.602	22.29	-10.71	30"	
	188	0200-CG-007	TYPE 100	W 5487.15	N 3396.402	22.29	-10.71	30"	
	189	0200-CG-007	TYPE 100	W 5479.741	N 3395.238	22.29	-10.71	30"	
	190	0200-CG-007	TYPE 100	W 5482.496	N 3426.039	22.29	-10.71	30"	
	191	0200-CG-007	TYPE 100	W 5475.087	N 3424.875	22.29	-10.71	30"	
	192	0200-CG-007	TYPE 100	W 5478.152	N 3453.7	22.29	-10.71	30"	
	193	0200-CG-007	TYPE 100	W 5470.742	N 3452.536	22.29	-10.71	30"	
	194	0200-CG-007	TYPE 200	W 5475.98	N 3467.53	21.00	-42.00	30"	
	195	0200-CG-007	TYPE 200	W 5468.571	N 3466.366	21.00	-42.00	30"	
	196	0200-CG-007	TYPE 200	W 5474.583	N 3476.421	21.00	-42.00	30"	
	197	0200-CG-007	TYPE 200	W 5467.174	N 3475.257	21.00	-42.00	30"	
	198	0200-CG-007	TYPE 100	W 5472.411	N 3490.252	21.29	-11.71	30"	
	199	0200-CG-007	TYPE 100	W 5465.002	N 3489.088	21.29	-11.71	30"	
	200	0200-CG-007	TYPE 100	W 5468.067	N 3517.913	21.29	-11.71	30"	
	201	0200-CG-007	TYPE 100	W 5460.658	N 3516.749	21.29	-11.71	30"	
	202	0200-CG-007	TYPE 100	W 5463.413	N 3547.549	21.29	-11.71	30"	
	203	0200-CG-007	TYPE 100	W 5456.004	N 3546.386	21.29	-11.71	30"	
	204	0200-CG-007	TYPE 100	W 5458.759	N 3577.186	21.29	-11.71	30"	
	205	0200-CG-008	TYPE 100	W 5451.349	N 3576.023	21.29	-11.71	30"	
	206	0200-CG-009	TYPE 100	W 5455.204	N 3605.636	21.29	-11.71	30"	
	207	0200-CG-010	TYPE 100	W 5447.744	N 3604.859	21.29	-11.71	30"	
	208	0200-CG-011	TYPE 100	W 5452.146	N 3635.016	21.29	-11.71	30"	
	209	0200-CG-012	TYPE 100	W 5444.686	N 3634.24	21.29	-11.71	30"	


PILE SCHEDULE
7 OF 7

DRAWN
XTN
CHECKED
EHH
ISSUE DATE
12-17-2021
PROJECT NO.
4.B21051

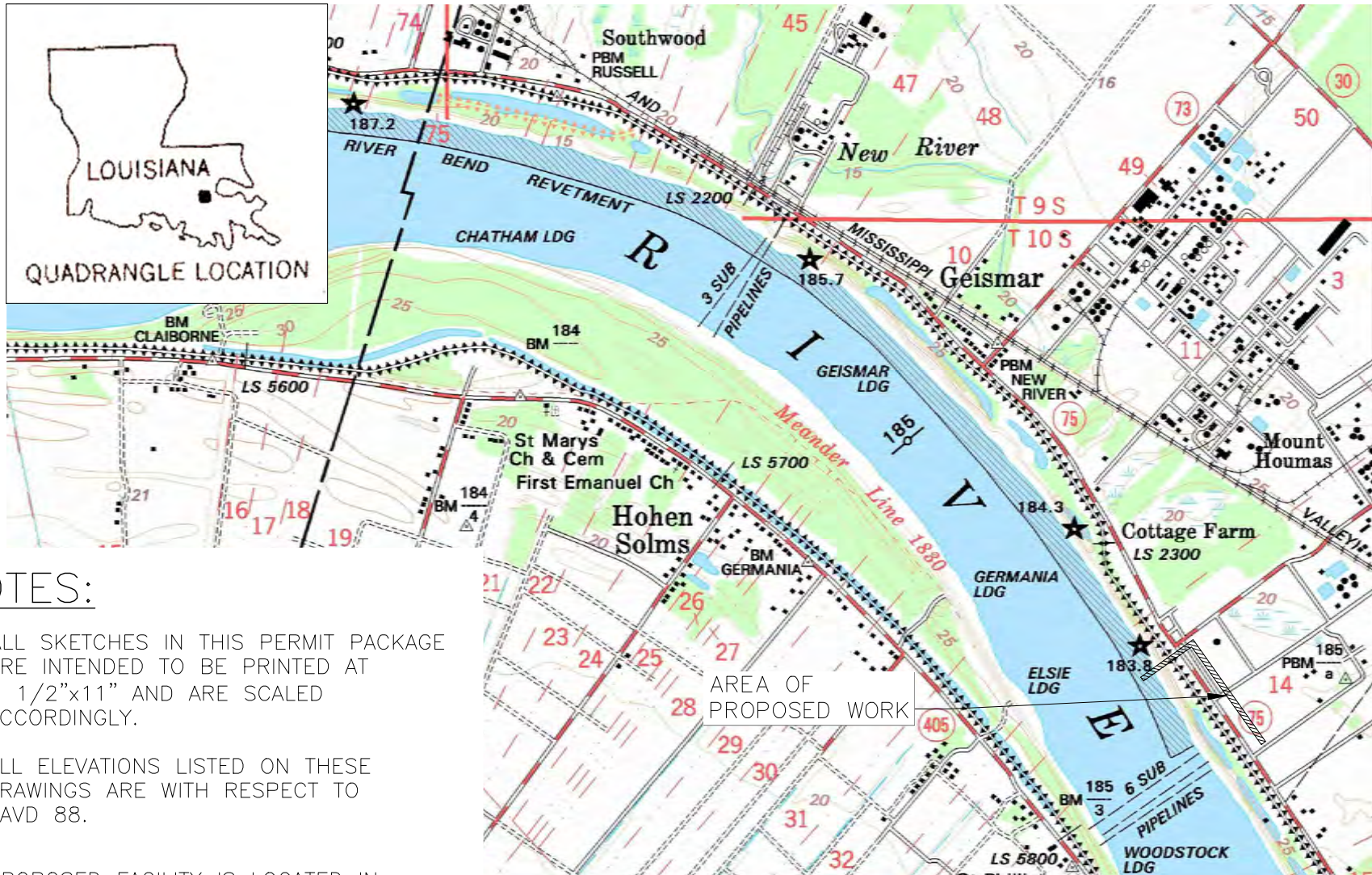
IMTT NORTH PIPE RACK
PERMIT DRAWINGS
GEISMAR, LOUISIANA
ASCENSION PARISH
FOR IMTT-GEISMAR

REVISION	BY
REVISION # 12-17-21	XTN

DRAWING NUMBER:
4.B21051-PRMT-27
PRELIMINARY
FOR PERMIT PURPOSES ONLY
ELIAS HENRI HAGE
LA PE #28545
HUNTS, GUILLOT & ASSOCIATES, LLC: LICENSE # 2137



9357 INTERLINE AVE.
BATON ROUGE, LA 70809
OFFICE: 225.926.1665
FAX: 225.927.6825
www.hga-llc.com
HUNTS, GUILLOT & ASSOCIATES, LLC



NOTES:

1. ALL SKETCHES IN THIS PERMIT PACKAGE ARE INTENDED TO BE PRINTED AT 8 1/2"x11" AND ARE SCALED ACCORDINGLY.
2. ALL ELEVATIONS LISTED ON THESE DRAWINGS ARE WITH RESPECT TO NAVD 88.

PROPOSED FACILITY IS LOCATED IN SECTION 14, T10S, R02E
 ASCENSION PARISH
 LAT: 30° 11' 12.5" LONG: 91° 00' 38.8"

VICINITY MAP,
 AREA MAP &
 NOTES

SCALE IN FEET



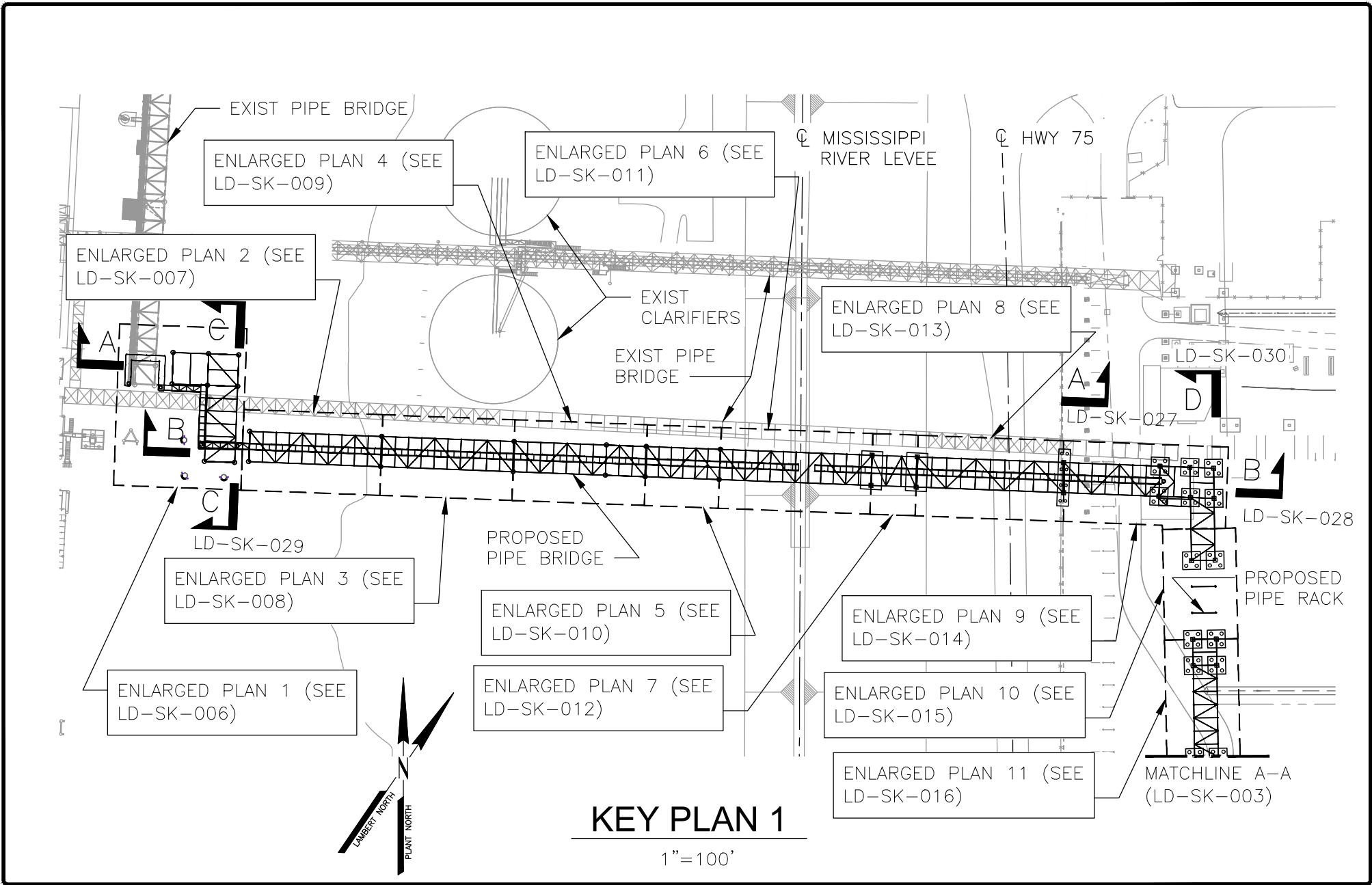
DRAWN KR
CHECKED MH
ISSUE DATE 11/21
PROJECT NO. 113.G000341.BR00

IMTT DOCK BRIDGE & PIPE RACK EXTENSION
GEISMAR, LOUISIANA ASCENSION PARISH
FOR IMTT-GEISMAR

REVISION 0	BY KR/MH	DRAWING NUMBER: LD-SK-001
REVISION 1	KR/MH	PRELIMINARY FOR PERMIT PURPOSES ONLY MARK HUGHES LA PE # 30262 CDI ENGINEERING SOLUTIONS, LLC

CDI Engineering Solutions

CDI ENGINEERING SOLUTIONS, LLC
 4041 ESSEN LANE, SUITE 300
 BATON ROUGE, LA 70809
 (225) 663-4600
 LOUISIANA LICENSE NO. EF.0006994



KEY PLAN 1

1"=100'

DRAWN KR
CHECKED MH
ISSUE DATE 11/21
PROJECT NO. 113.G000341.BR00

IMTT DOCK BRIDGE &
PIPE RACK EXTENSION

GEISMAR, LOUISIANA
ASCENSION PARISH

FOR IMTT-GEISMAR

REVISION	BY
REVISION 0	KR/MH

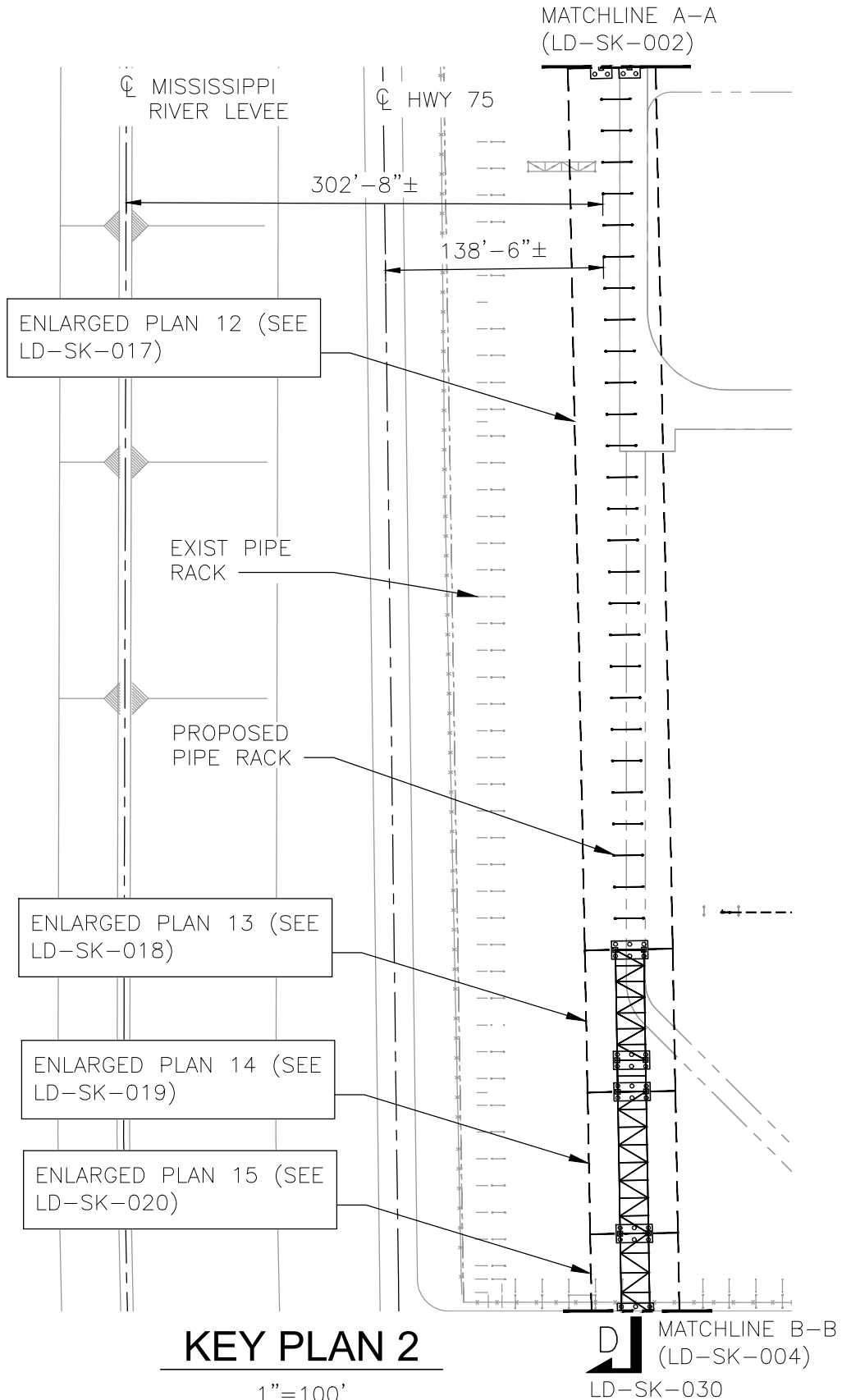
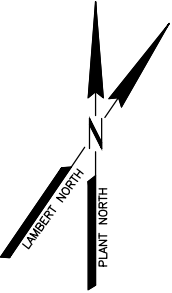
DRAWING NUMBER:
LD-SK-002

PRELIMINARY
FOR PERMIT PURPOSES ONLY

MARK HUGHES
LA PE # 30262
CDI ENGINEERING SOLUTIONS, LLC

CDI Engineering Solutions

CDI ENGINEERING SOLUTIONS, LLC
4041 ESSEN LANE, SUITE 300
BATON ROUGE, LA 70809
(225) 663-4600
LOUISIANA LICENSE NO. EF.0006994



KEY PLAN 2

1" = 100'

DRAWN KR
CHECKED MH
ISSUE DATE 11/21
PROJECT NO. 113.G000341.BR00

IMTT DOCK BRIDGE & PIPE RACK EXTENSION

GEISMAR, LOUISIANA
ASCENSION PARISH
FOR IMTT-GEISMAR

REVISION	BY
REVISION 0	KRM/H

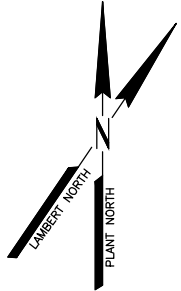
DRAWING NUMBER:
LD-SK-003

PRELIMINARY
FOR PERMIT PURPOSES ONLY

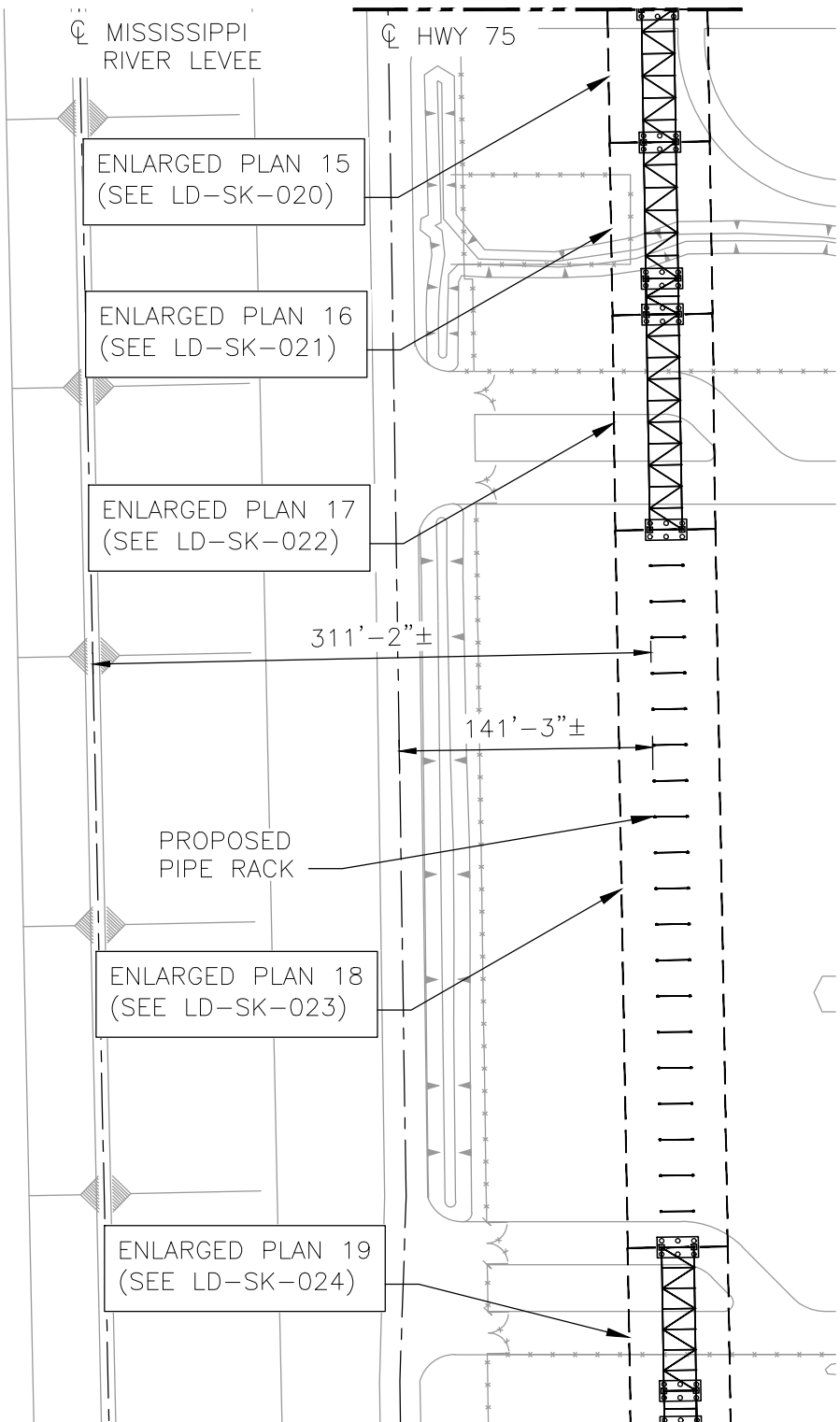
MARK HUGHES
LA PE # 30262
CDI ENGINEERING SOLUTIONS, LLC

CDI Engineering Solutions

CDI ENGINEERING SOLUTIONS, LLC
4041 ESSEN LANE, SUITE 300
BATON ROUGE, LA 70809
(225) 663-4600
LOUISIANA LICENSE NO. EF.0006994



MATCHLINE B-B
(LD-SK-003)



ENLARGED PLAN 15
(SEE LD-SK-020)

ENLARGED PLAN 16
(SEE LD-SK-021)

ENLARGED PLAN 17
(SEE LD-SK-022)

ENLARGED PLAN 18
(SEE LD-SK-023)

ENLARGED PLAN 19
(SEE LD-SK-024)

PROPOSED
PIPE RACK

311'-2"±

141'-3"±

KEY PLAN 3

1"=100'

MATCHLINE C-C
(LD-SK-005)

LD-SK-031

DRAWN KR
CHECKED MH
ISSUE DATE 11/21
PROJECT NO. 113.G000341.BR00

IMTT DOCK BRIDGE &
PIPE RACK EXTENSION

GEISMAR, LOUISIANA
ASCENSION PARISH

FOR IMTT-GEISMAR

REVISION	BY
REVISION 0	KRM/H

DRAWING NUMBER:
LD-SK-004

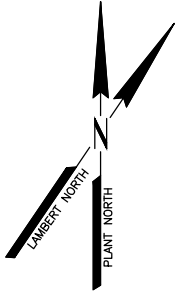
PRELIMINARY

FOR PERMIT PURPOSES ONLY

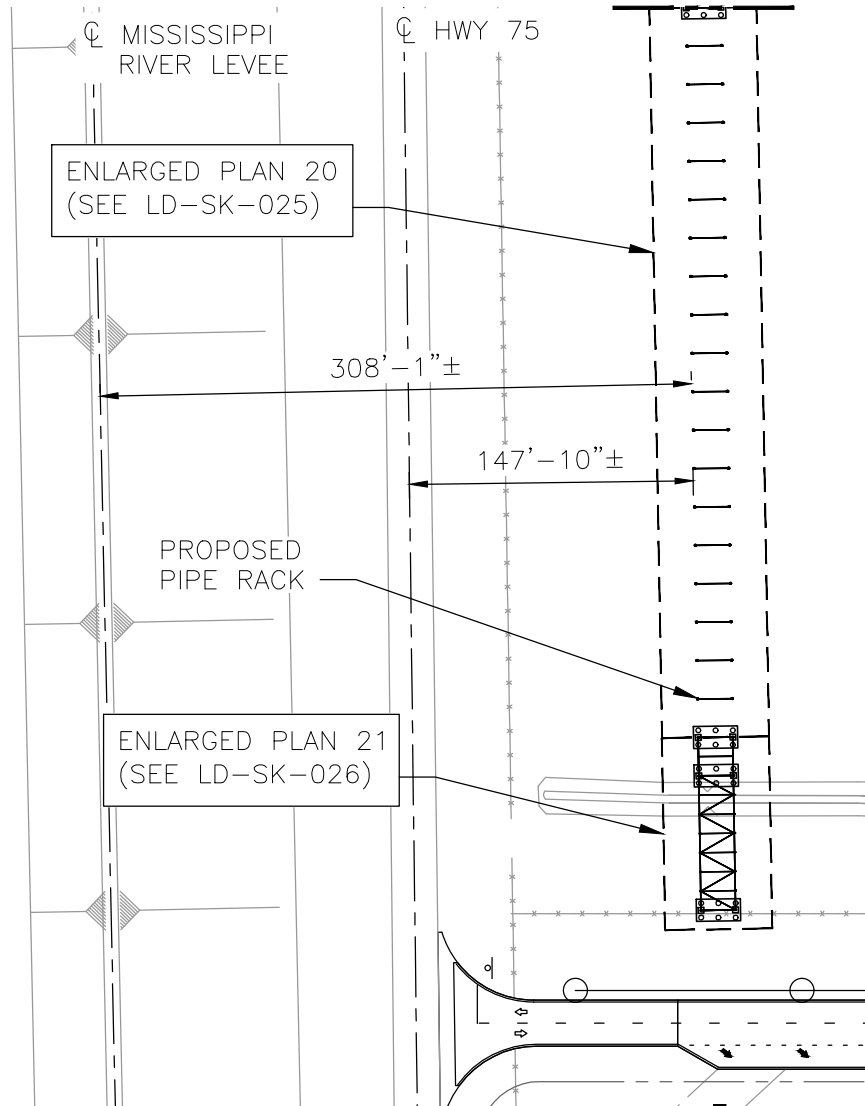
MARK HUGHES
LA PE # 30262
CDI ENGINEERING SOLUTIONS, LLC

CDI Engineering Solutions

CDI ENGINEERING SOLUTIONS, LLC
4041 ESSEN LANE, SUITE 300
BATON ROUGE, LA 70809
(225) 663-4600
LOUISIANA LICENSE NO. EF.0006994



F MATCHLINE C-C
(LD-SK-004)



F
LD-SK-032

KEY PLAN 4

1" = 100'

DRAWN KR
CHECKED MH
ISSUE DATE 11/21
PROJECT NO. 113.G000341.BR00

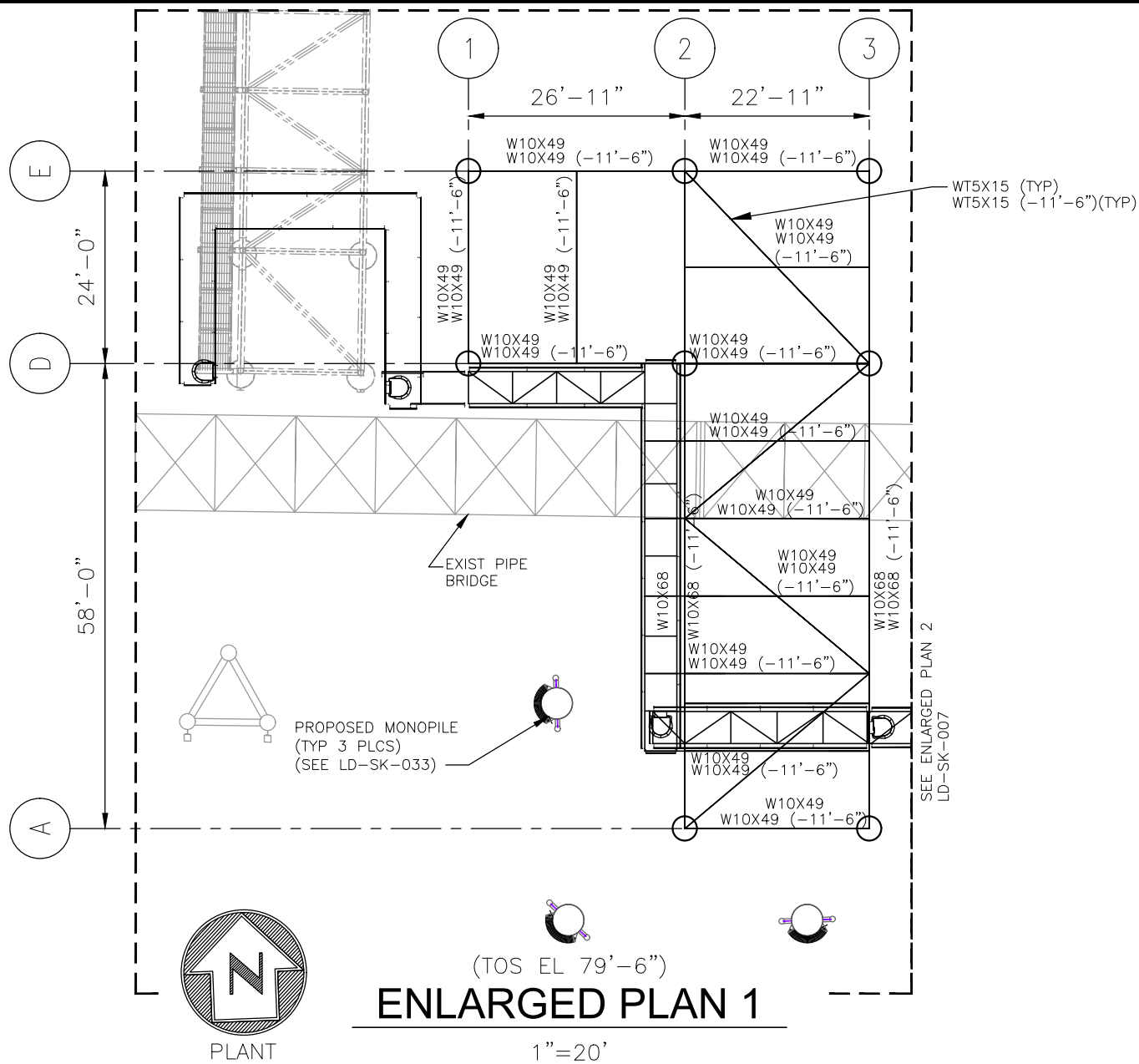
IMTT DOCK BRIDGE &
PIPE RACK EXTENSION

GEISMAR, LOUISIANA
ASCENSION PARISH
FOR IMTT-GEISMAR

REVISION	BY	DRAWING NUMBER:
REVISION 0	KRM/H	LD-SK-005
PRELIMINARY		
FOR PERMIT PURPOSES ONLY		
MARK HUGHES LA PE # 30262 CDI ENGINEERING SOLUTIONS, LLC		

CDI Engineering Solutions

CDI ENGINEERING SOLUTIONS, LLC
4041 ESSEN LANE, SUITE 300
BATON ROUGE, LA 70809
(225) 663-4600
LOUISIANA LICENSE NO. EF.0006994



DRAWN KR
CHECKED MH
ISSUE DATE 11/21
PROJECT NO. 113.G000341.BR00

IMTT DOCK BRIDGE &
PIPE RACK EXTENSION

GEISMAR, LOUISIANA
ASCENSION PARISH

FOR IMTT-GEISMAR

REVISION	BY
REVISION 0	KR/MH

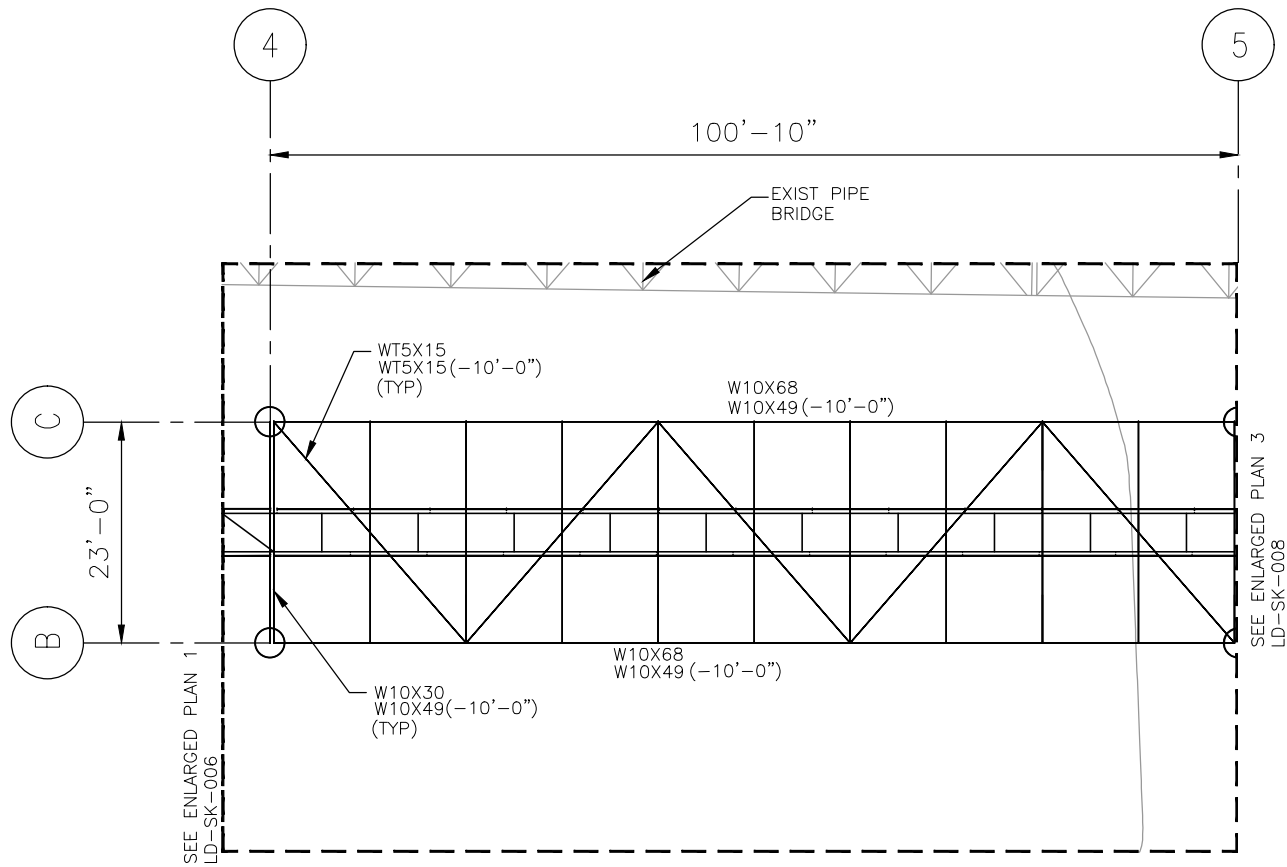
DRAWING NUMBER:
LD-SK-006

PRELIMINARY
FOR PERMIT PURPOSES ONLY

MARK HUGHES
LA PE # 30262
CDI ENGINEERING SOLUTIONS, LLC

CDI Engineering Solutions

CDI ENGINEERING SOLUTIONS, LLC
4041 ESSEN LANE, SUITE 300
BATON ROUGE, LA 70809
(225) 663-4600
LOUISIANA LICENSE NO. EF.0006994



(TOS EL 55'-0")

ENLARGED PLAN 2

1"=20'



PLANT

DRAWN KR
CHECKED MH
ISSUE DATE 11/21
PROJECT NO. 113.G000341.BR00

IMTT DOCK BRIDGE & PIPE RACK EXTENSION

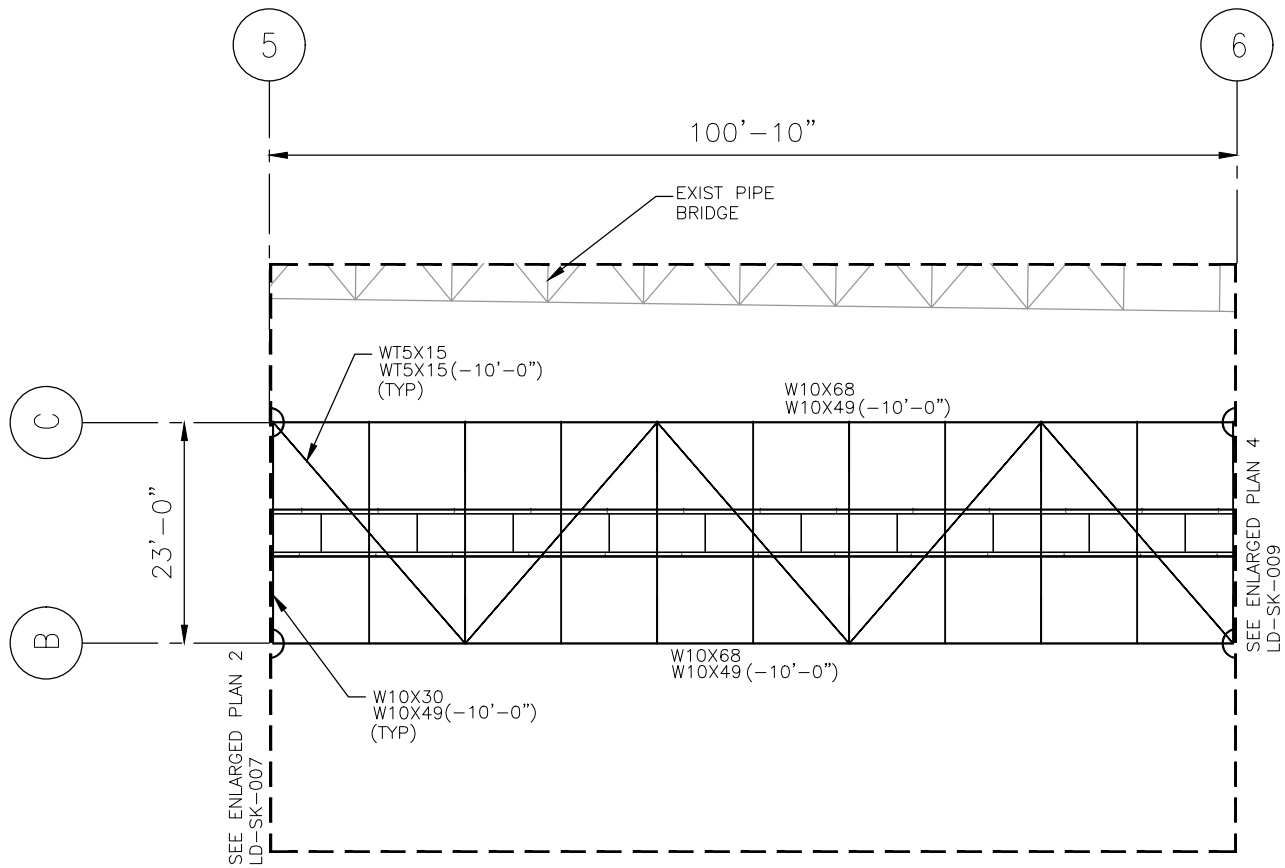
GEISMAR, LOUISIANA
ASCENSION PARISH

FOR IMTT-GEISMAR

REVISION	BY	DRAWING NUMBER:
REVISION 0	KR/MH	LD-SK-007
PRELIMINARY		
FOR PERMIT PURPOSES ONLY		
MARK HUGHES LA PE # 30262 CDI ENGINEERING SOLUTIONS, LLC		

CDI Engineering Solutions

CDI ENGINEERING SOLUTIONS, LLC
4041 ESSEN LANE, SUITE 300
BATON ROUGE, LA 70809
(225) 663-4600
LOUISIANA LICENSE NO. EF.0006994



(TOS EL 55'-0")

ENLARGED PLAN 3

1"=20'



PLANT

DRAWN KR
CHECKED MH
ISSUE DATE 11/21
PROJECT NO. 113.G000341.BR00

IMTT DOCK BRIDGE & PIPE RACK EXTENSION

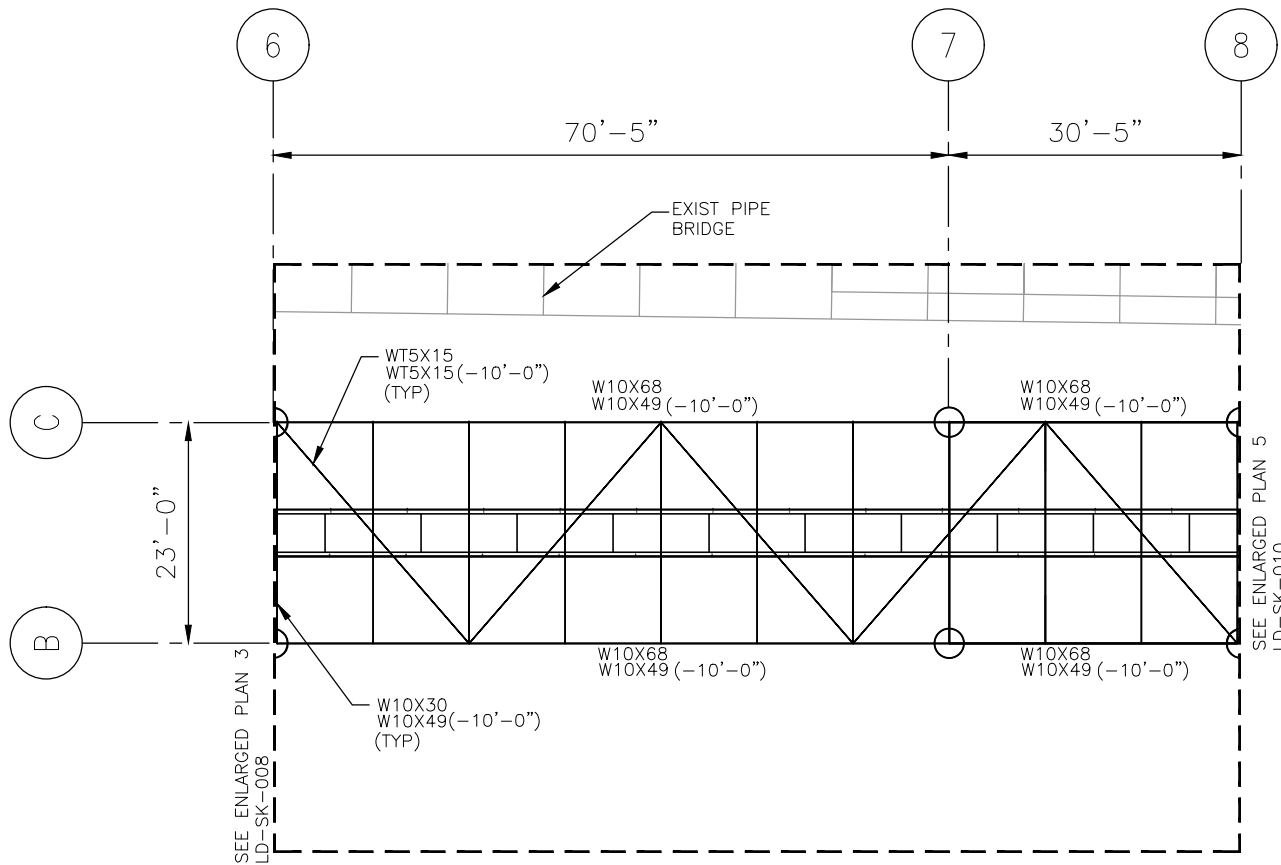
GEISMAR, LOUISIANA
ASCENSION PARISH

FOR IMTT-GEISMAR

REVISION	BY	DRAWING NUMBER:
REVISION 0	KR/MH	LD-SK-008
PRELIMINARY		
FOR PERMIT PURPOSES ONLY		
MARK HUGHES LA PE # 30262 CDI ENGINEERING SOLUTIONS, LLC		

CDI Engineering Solutions

CDI ENGINEERING SOLUTIONS, LLC
4041 ESSEN LANE, SUITE 300
BATON ROUGE, LA 70809
(225) 663-4600
LOUISIANA LICENSE NO. EF.0006994



(TOS EL 55'-0")

ENLARGED PLAN 4

1"=20'



PLANT

DRAWN KR
CHECKED MH
ISSUE DATE 11/21
PROJECT NO. 113.G000341.BR00

IMTT DOCK BRIDGE & PIPE RACK EXTENSION

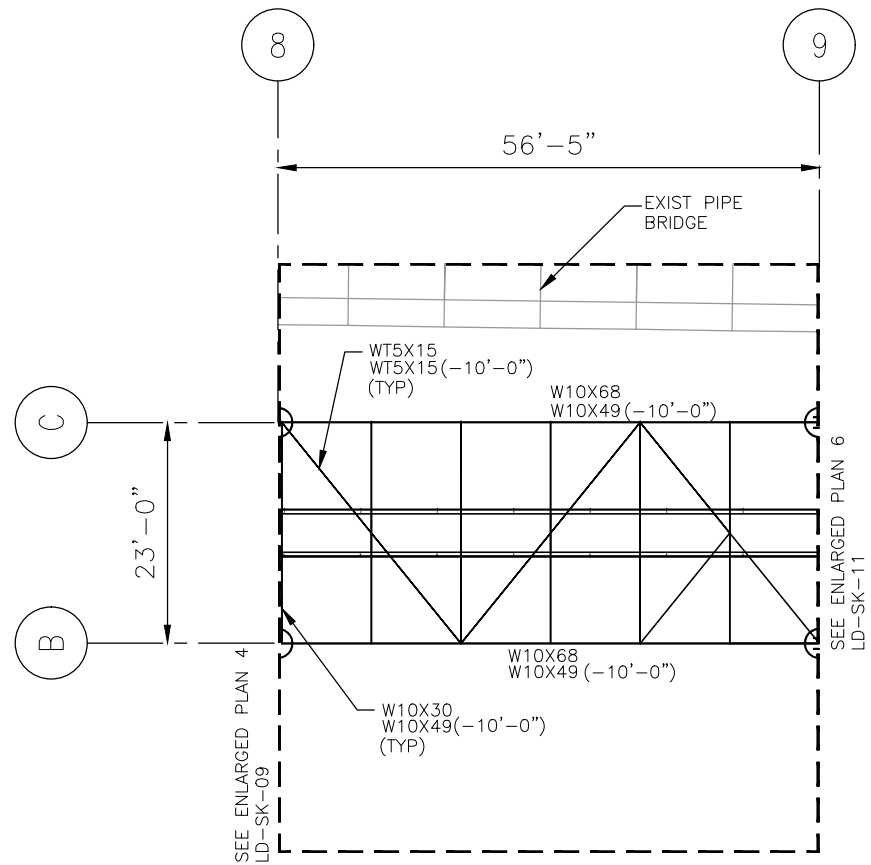
GEISMAR, LOUISIANA
ASCENSION PARISH

FOR IMTT-GEISMAR

REVISION	BY	DRAWING NUMBER:
REVISION 0	KR/MH	LD-SK-009
PRELIMINARY		
FOR PERMIT PURPOSES ONLY		
MARK HUGHES LA PE # 30262 CDI ENGINEERING SOLUTIONS, LLC		

CDI Engineering Solutions

CDI ENGINEERING SOLUTIONS, LLC
4041 ESSEN LANE, SUITE 300
BATON ROUGE, LA 70809
(225) 663-4600
LOUISIANA LICENSE NO. EF.0006994



(TOS EL 55'-0")

ENLARGED PLAN 5

1"=20'



PLANT

DRAWN KR
CHECKED MH
ISSUE DATE 11/21
PROJECT NO. 113.G000341.BR00

IMTT DOCK BRIDGE & PIPE RACK EXTENSION

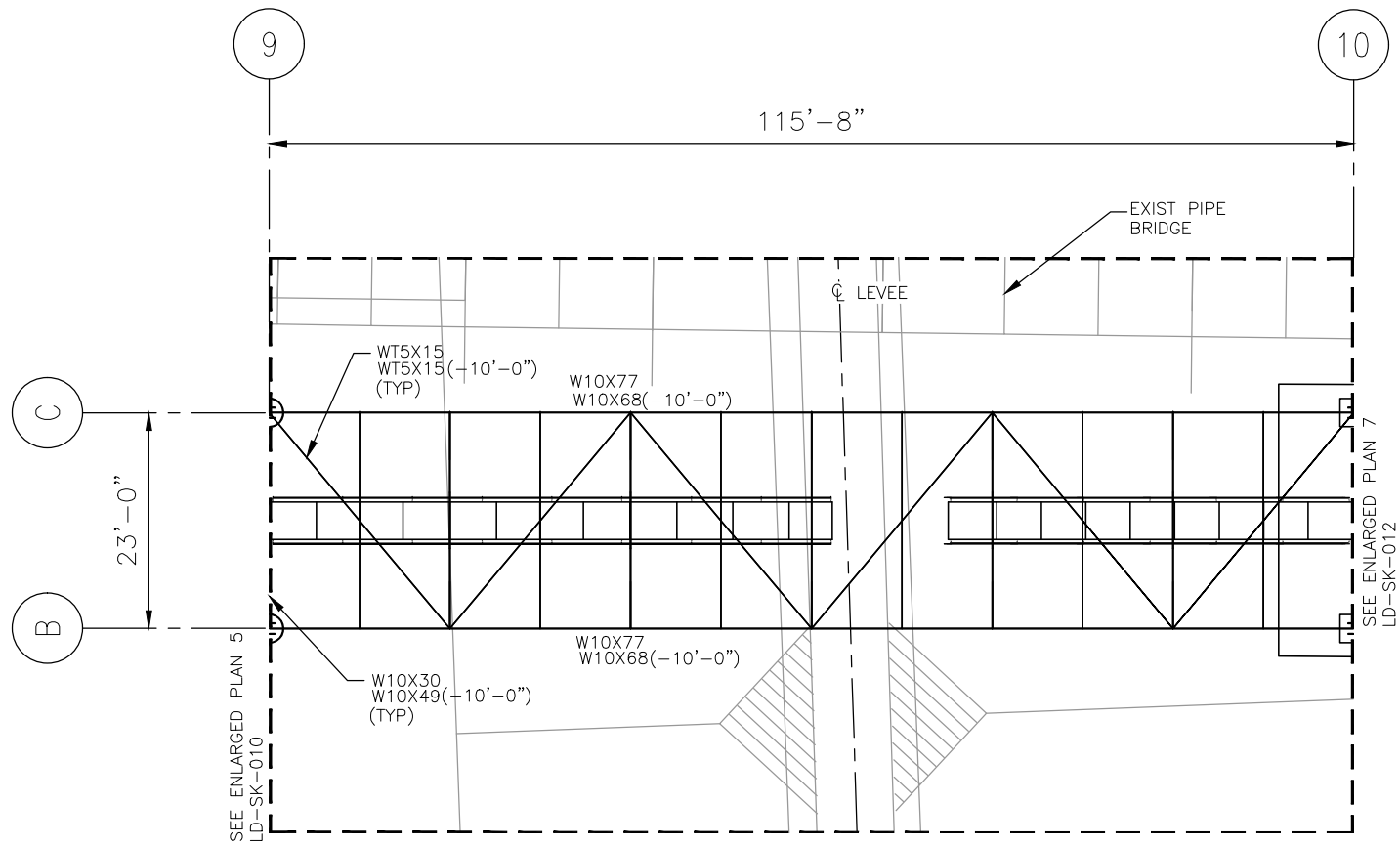
GEISMAR, LOUISIANA
ASCENSION PARISH

FOR IMTT-GEISMAR

REVISION	BY	DRAWING NUMBER:
REVISION 0	KR/MH	LD-SK-010
PRELIMINARY		
FOR PERMIT PURPOSES ONLY		
MARK HUGHES LA PE # 30262		
CDI ENGINEERING SOLUTIONS, LLC		

CDI Engineering Solutions

CDI ENGINEERING SOLUTIONS, LLC
4041 ESSEN LANE, SUITE 300
BATON ROUGE, LA 70809
(225) 663-4600
LOUISIANA LICENSE NO. EF.0006994



(TOS EL 74'-0")

ENLARGED PLAN 6

1"=20'



PLANT

DRAWN KR
CHECKED MH
ISSUE DATE 11/21
PROJECT NO. 113.G000341.BR00

IMTT DOCK BRIDGE & PIPE RACK EXTENSION

GEISMAR, LOUISIANA
ASCENSION PARISH

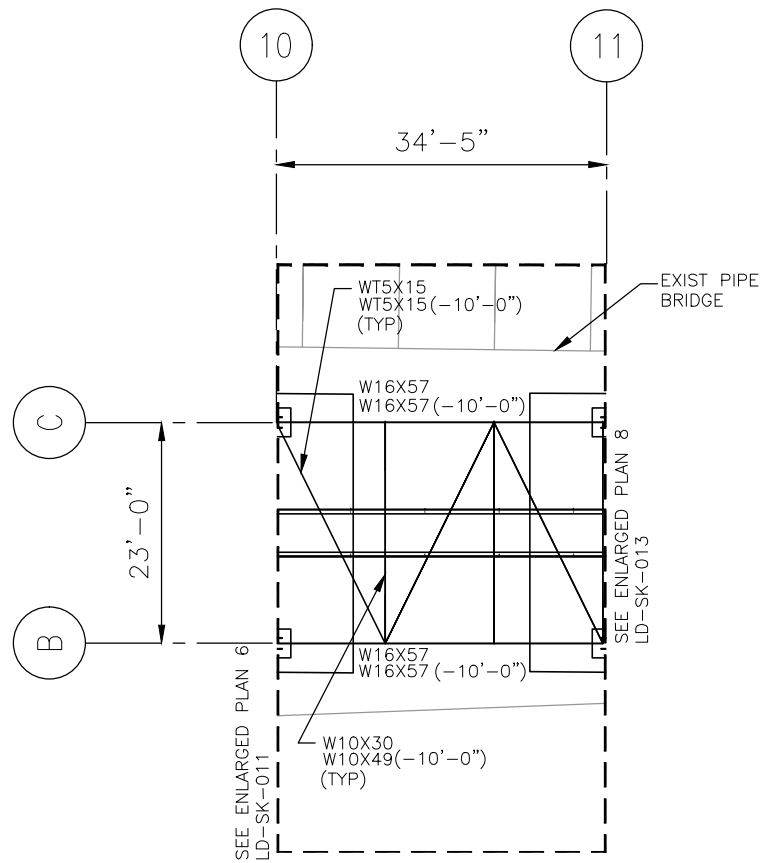
FOR IMTT-GEISMAR

REVISION	BY
REVISION 0	KR/MH

DRAWING NUMBER: LD-SK-011
PRELIMINARY
FOR PERMIT PURPOSES ONLY
MARK HUGHES LA PE # 30262
CDI ENGINEERING SOLUTIONS, LLC

CDI Engineering Solutions

CDI ENGINEERING SOLUTIONS, LLC
4041 ESSEN LANE, SUITE 300
BATON ROUGE, LA 70809
(225) 663-4600
LOUISIANA LICENSE NO. EF.0006994



(TOS EL 58'-0")

ENLARGED PLAN 7

1"=20'



PLANT

DRAWN KR
CHECKED MH
ISSUE DATE 11/21
PROJECT NO. 113.G000341.BR00

IMTT DOCK BRIDGE & PIPE RACK EXTENSION

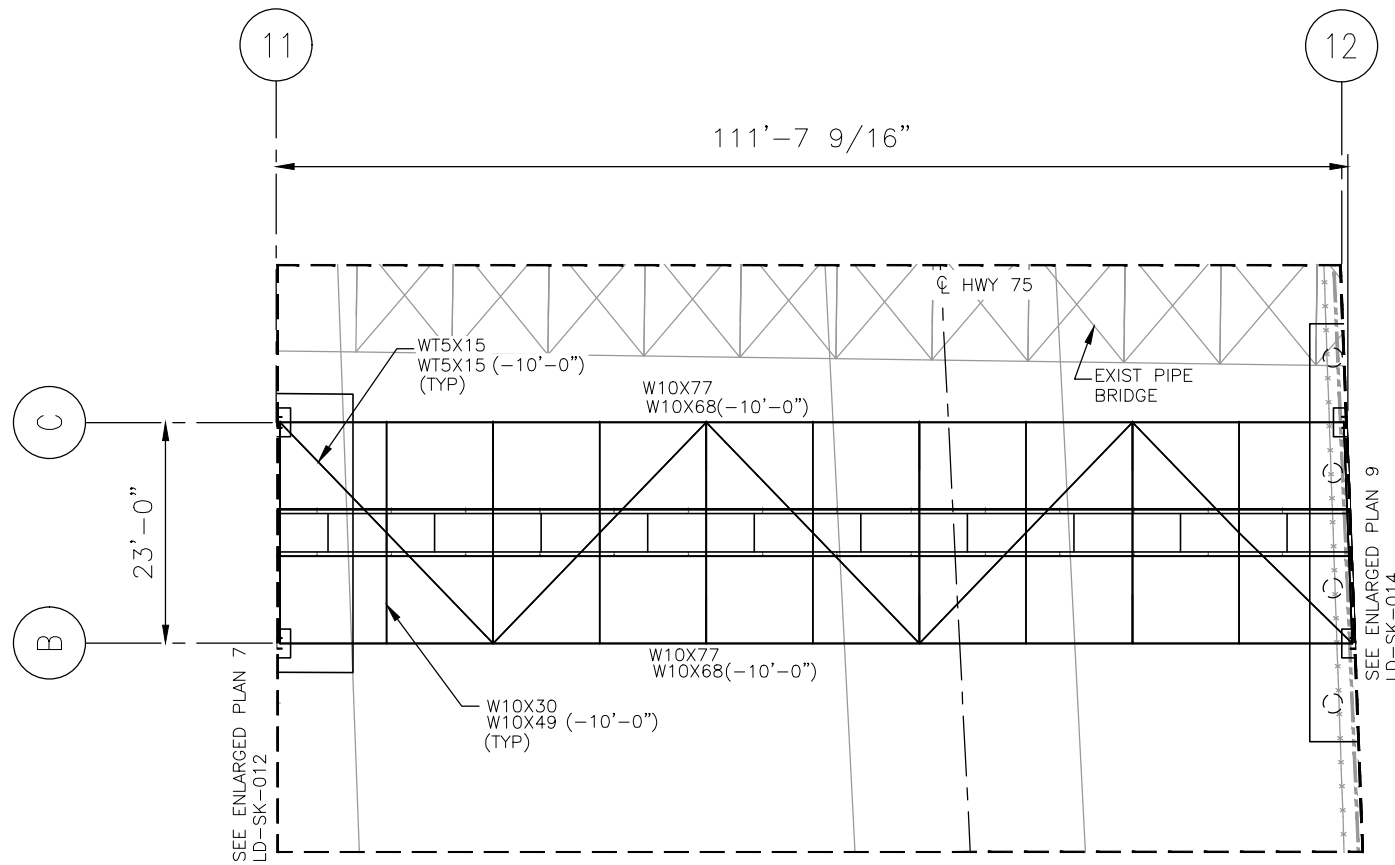
GEISMAR, LOUISIANA
ASCENSION PARISH

FOR IMTT-GEISMAR

REVISION	BY	DRAWING NUMBER:
REVISION 0	KR/MH	LD-SK-012
PRELIMINARY		
FOR PERMIT PURPOSES ONLY		
MARK HUGHES LA PE # 30262 CDI ENGINEERING SOLUTIONS, LLC		

CDI Engineering Solutions

CDI ENGINEERING SOLUTIONS, LLC
4041 ESSEN LANE, SUITE 300
BATON ROUGE, LA 70809
(225) 663-4600
LOUISIANA LICENSE NO. EF.0006994



(TOS EL 58'-0")

ENLARGED PLAN 8

1"=20'



PLANT

DRAWN KR
CHECKED MH
ISSUE DATE 11/21
PROJECT NO. 113.G000341.BR00

IMTT DOCK BRIDGE & PIPE RACK EXTENSION

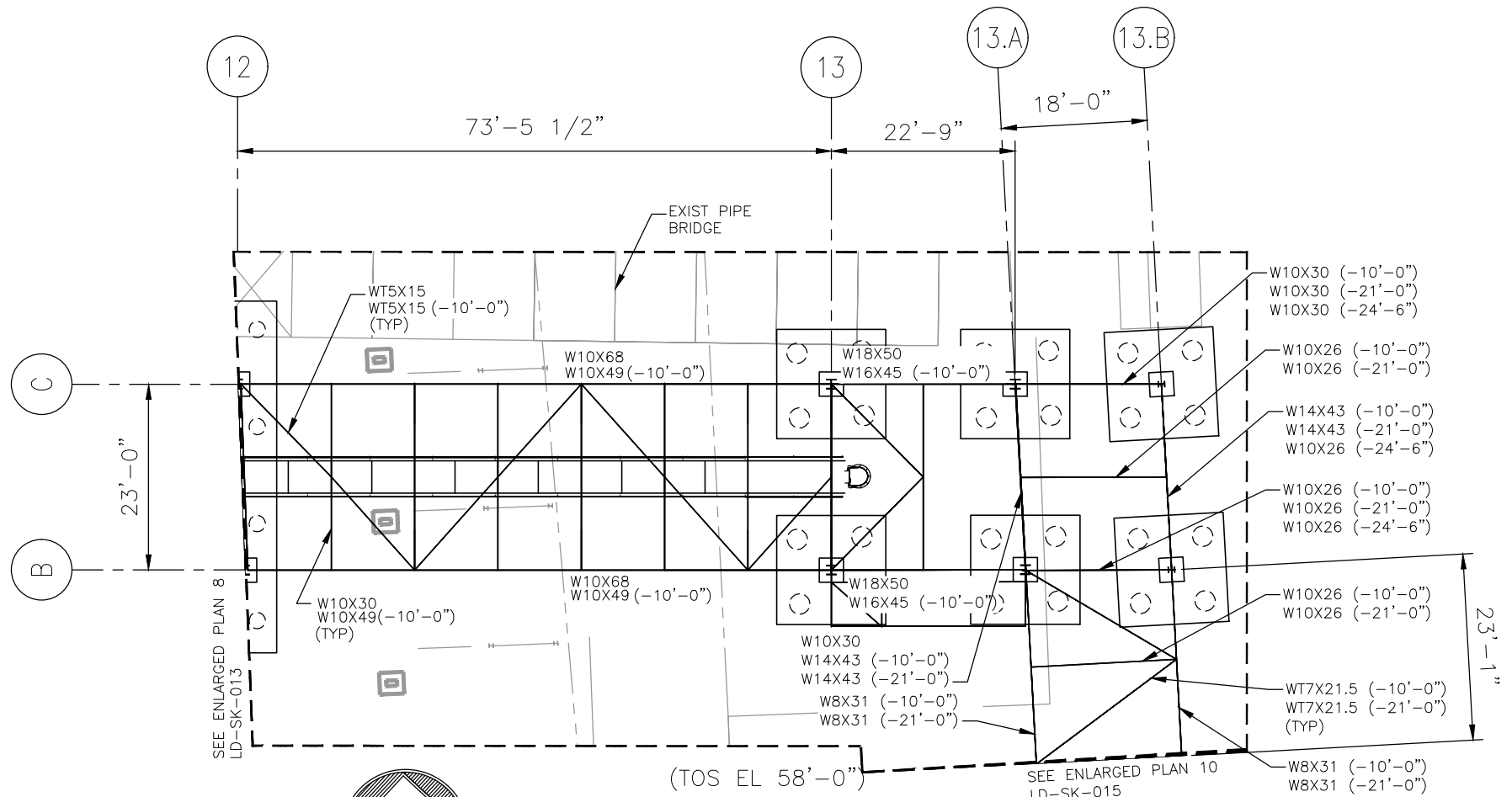
GEISMAR, LOUISIANA
ASCENSION PARISH

FOR IMTT-GEISMAR

REVISION	BY	DRAWING NUMBER:
REVISION 0	KR/MH	LD-SK-013
PRELIMINARY		
FOR PERMIT PURPOSES ONLY		
MARK HUGHES LA PE # 30262 CDI ENGINEERING SOLUTIONS, LLC		

CDI Engineering Solutions

CDI ENGINEERING SOLUTIONS, LLC
4041 ESSEN LANE, SUITE 300
BATON ROUGE, LA 70809
(225) 663-4600
LOUISIANA LICENSE NO. EF.0006994



ENLARGED PLAN 9

1"=20'



DRAWN KR
CHECKED MH
ISSUE DATE 11/21
PROJECT NO. 113.G000341.BR00

IMTT DOCK BRIDGE &
PIPE RACK EXTENSION

GEISMAR, LOUISIANA
ASCENSION PARISH

FOR IMTT-GEISMAR

REVISION	BY
REVISION 0	KR/MH

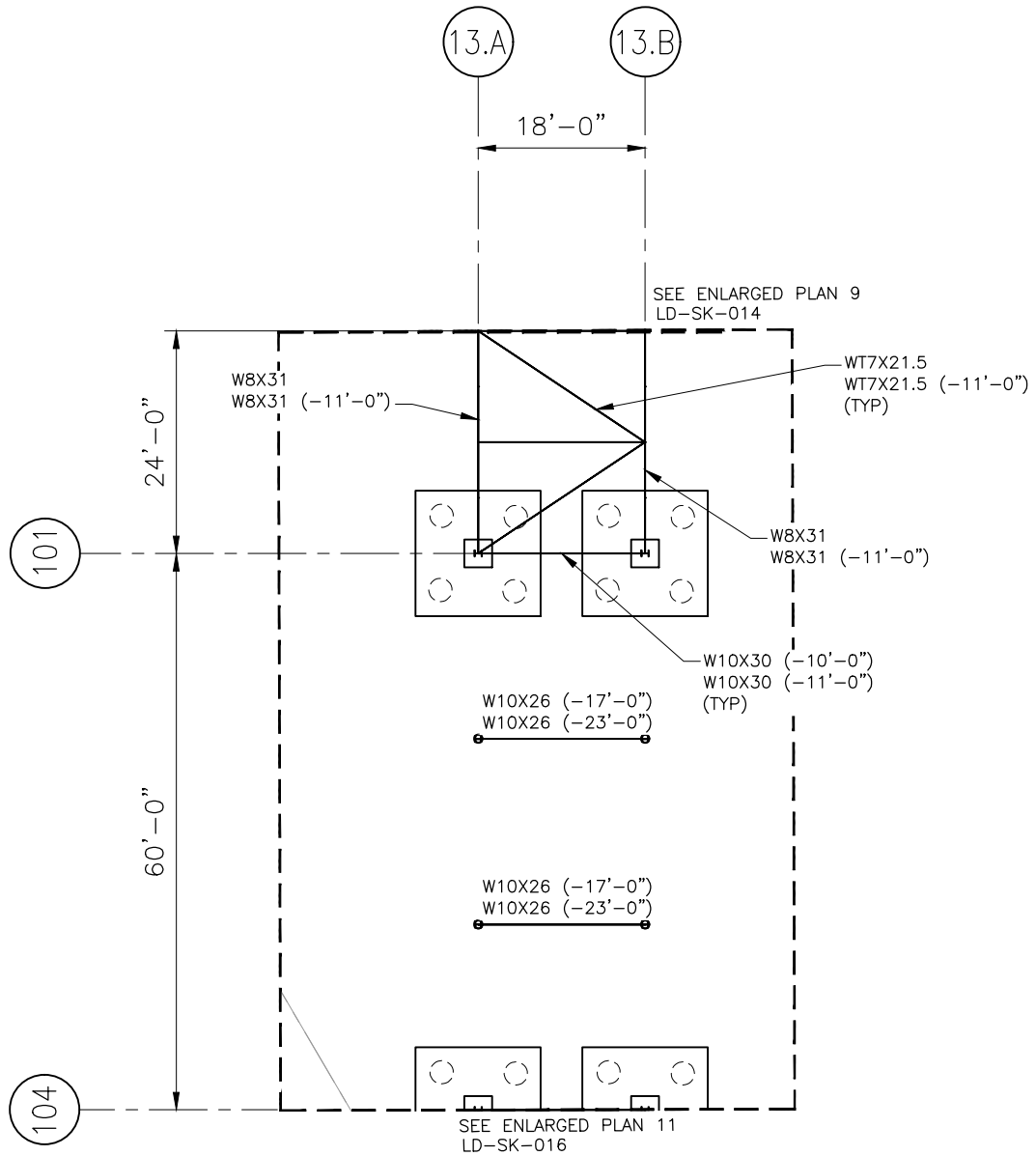
DRAWING NUMBER:
LD-SK-014

PRELIMINARY
FOR PERMIT PURPOSES ONLY

MARK HUGHES
LA PE # 30262
CDI ENGINEERING SOLUTIONS, LLC

CDI Engineering Solutions

CDI ENGINEERING SOLUTIONS, LLC
4041 ESSEN LANE, SUITE 300
BATON ROUGE, LA 70809
(225) 663-4600
LOUISIANA LICENSE NO. EF.0006994



(TOS EL 48'-0")
ENLARGED PLAN 10

1"=20'

DRAWN KR
CHECKED MH
ISSUE DATE 11/21
PROJECT NO. 113.G000341.BR00

IMTT DOCK BRIDGE &
 PIPE RACK EXTENSION

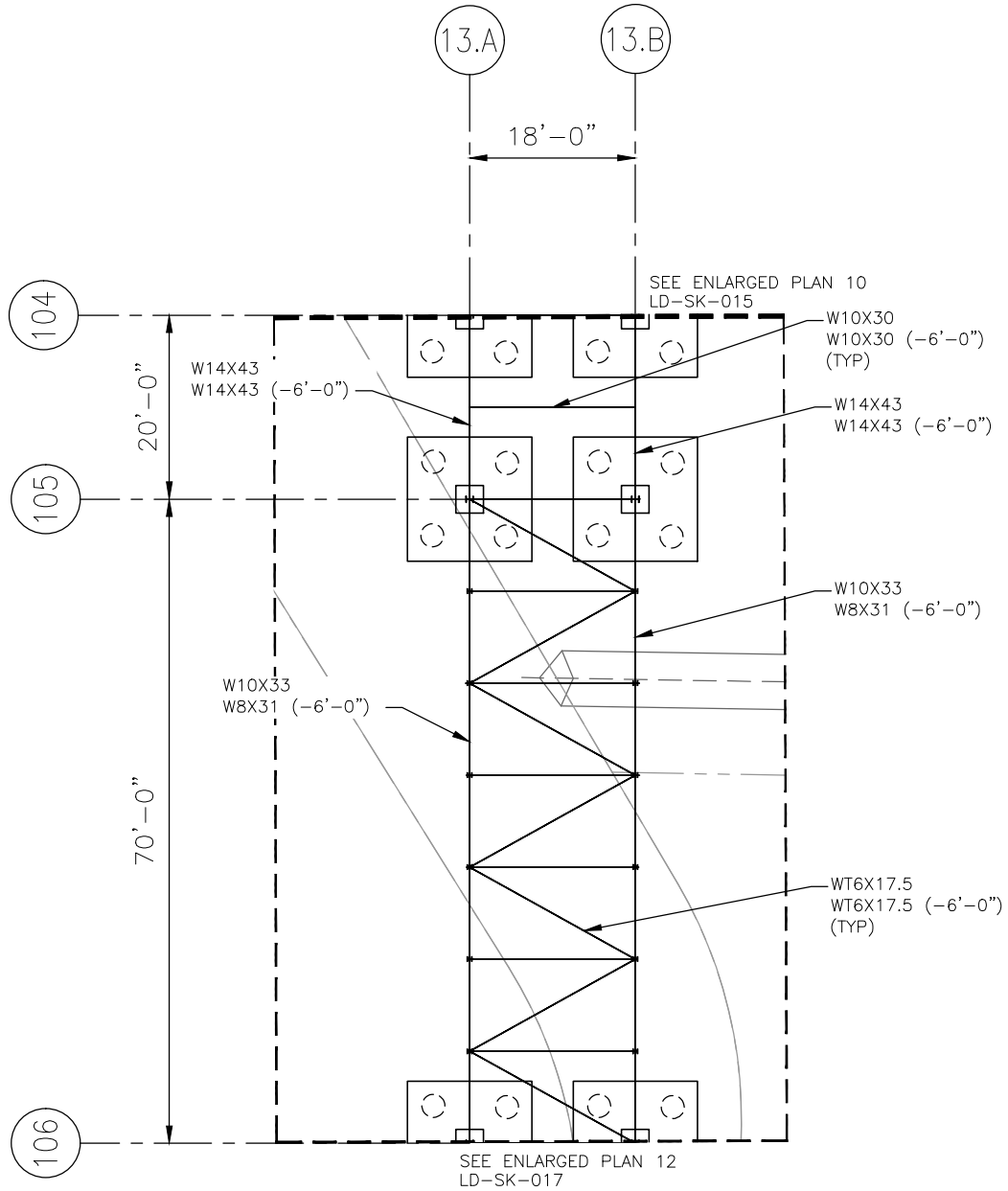
GEISMAR, LOUISIANA
 ASCENSION PARISH
 FOR IMTT-GEISMAR

REVISION	BY
REVISION 0	KRM/H

DRAWING NUMBER: LD-SK-015	
PRELIMINARY	
FOR PERMIT PURPOSES ONLY	
MARK HUGHES LA PE # 30262 CDI ENGINEERING SOLUTIONS, LLC	

CDI Engineering Solutions

CDI ENGINEERING SOLUTIONS, LLC
 4041 ESSEN LANE, SUITE 300
 BATON ROUGE, LA 70809
 (225) 663-4600
 LOUISIANA LICENSE NO. EF.0006994



(TOS EL 53'-0")

ENLARGED PLAN 11

1"=20'



PLANT

DRAWN KR
CHECKED MH
ISSUE DATE 11/21
PROJECT NO. 113.G000341.BR00

IMTT DOCK BRIDGE &
PIPE RACK EXTENSION

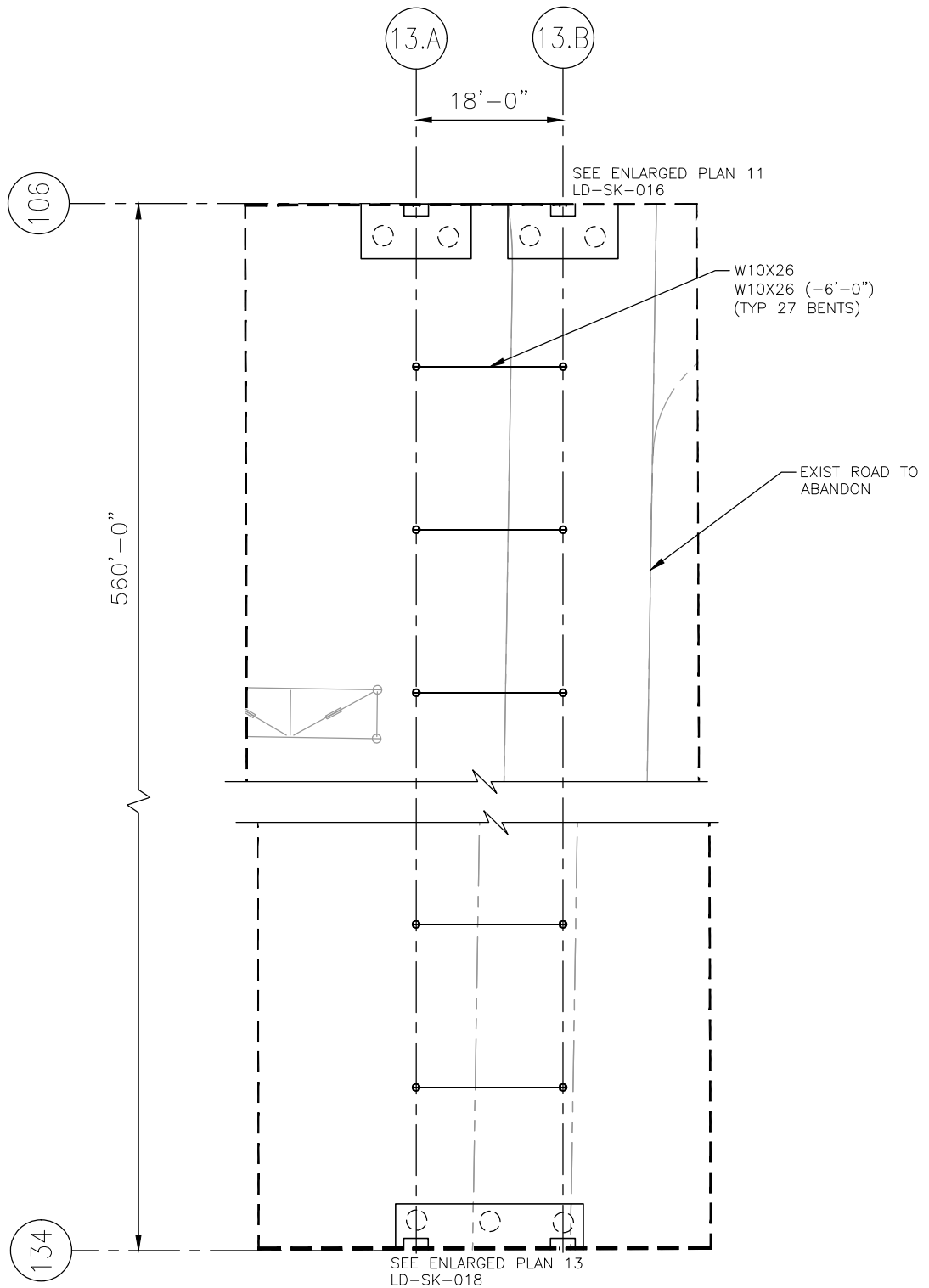
GEISMAR, LOUISIANA
ASCENSION PARISH
FOR IMTT-GEISMAR

REVISION	BY
REVISION 0	KRM/H

DRAWING NUMBER: LD-SK-016
PRELIMINARY
FOR PERMIT PURPOSES ONLY
MARK HUGHES LA PE # 30262 CDI ENGINEERING SOLUTIONS, LLC

CDI Engineering Solutions

CDI ENGINEERING SOLUTIONS, LLC
4041 ESSEN LANE, SUITE 300
BATON ROUGE, LA 70809
(225) 663-4600
LOUISIANA LICENSE NO. EF.0006994



PLANT

(TOS EL 31'-0")

ENLARGED PLAN 12

1"=20'

DRAWN KR
CHECKED MH
ISSUE DATE 11/21
PROJECT NO. 113.G000341.BR00

IMTT DOCK BRIDGE &
PIPE RACK EXTENSION

GEISMAR, LOUISIANA
ASCENSION PARISH
FOR IMTT-GEISMAR

REVISION	BY
REVISION 0	KRM/H

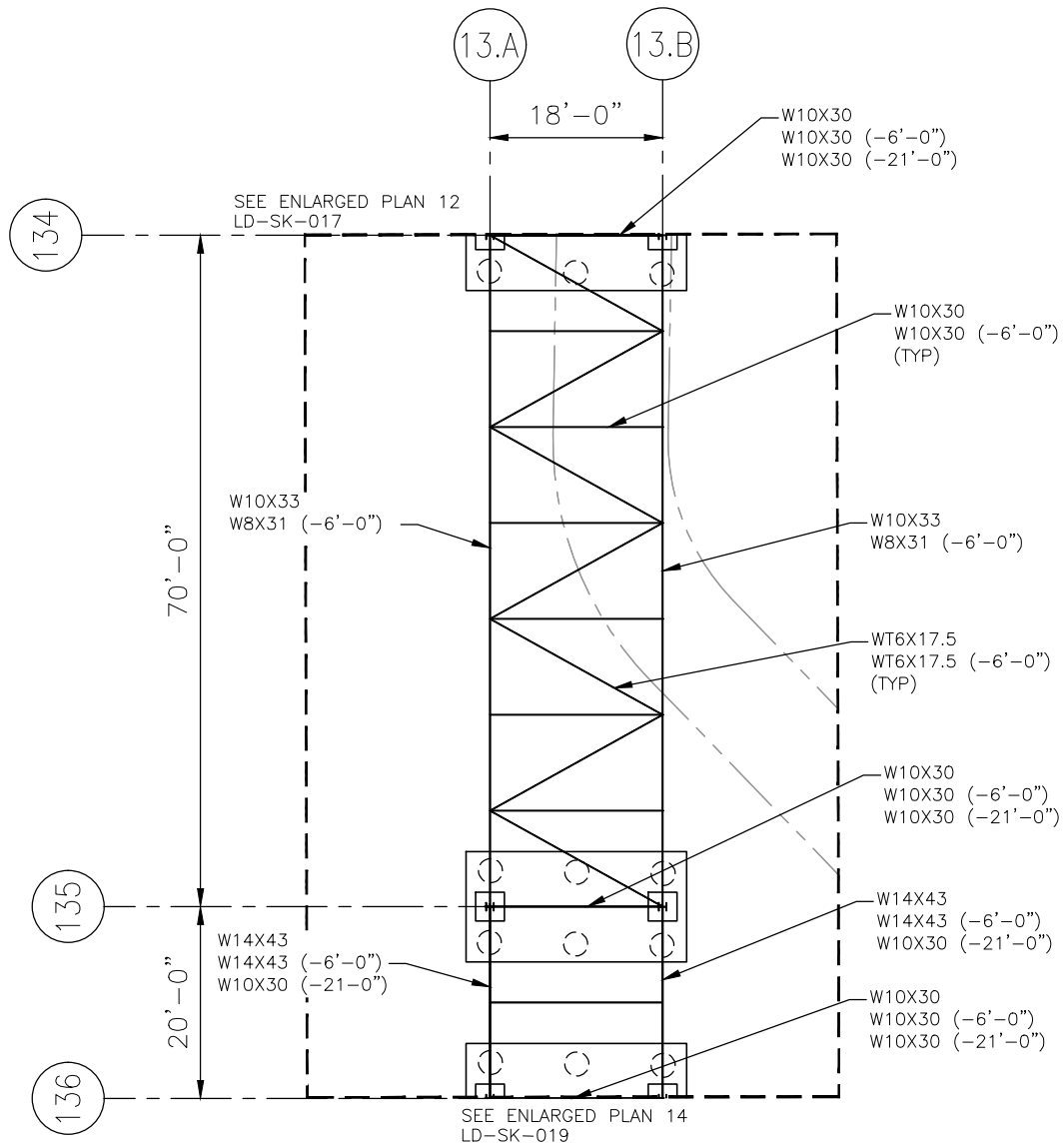
DRAWING NUMBER:
LD-SK-017

PRELIMINARY
FOR PERMIT PURPOSES ONLY

MARK HUGHES
LA PE # 30262
CDI ENGINEERING SOLUTIONS, LLC

CDI Engineering Solutions

CDI ENGINEERING SOLUTIONS, LLC
4041 ESSEN LANE, SUITE 300
BATON ROUGE, LA 70809
(225) 663-4600
LOUISIANA LICENSE NO. EF.0006994



(TOS EL 60'-0")

ENLARGED PLAN 13

1"=20'



PLANT

DRAWN KR
CHECKED MH
ISSUE DATE 11/21
PROJECT NO. 113.G000341.BR00

IMTT DOCK BRIDGE &
PIPE RACK EXTENSION

GEISMAR, LOUISIANA
ASCENSION PARISH
FOR IMTT-GEISMAR

REVISION	BY
REVISION 0	KRM/H

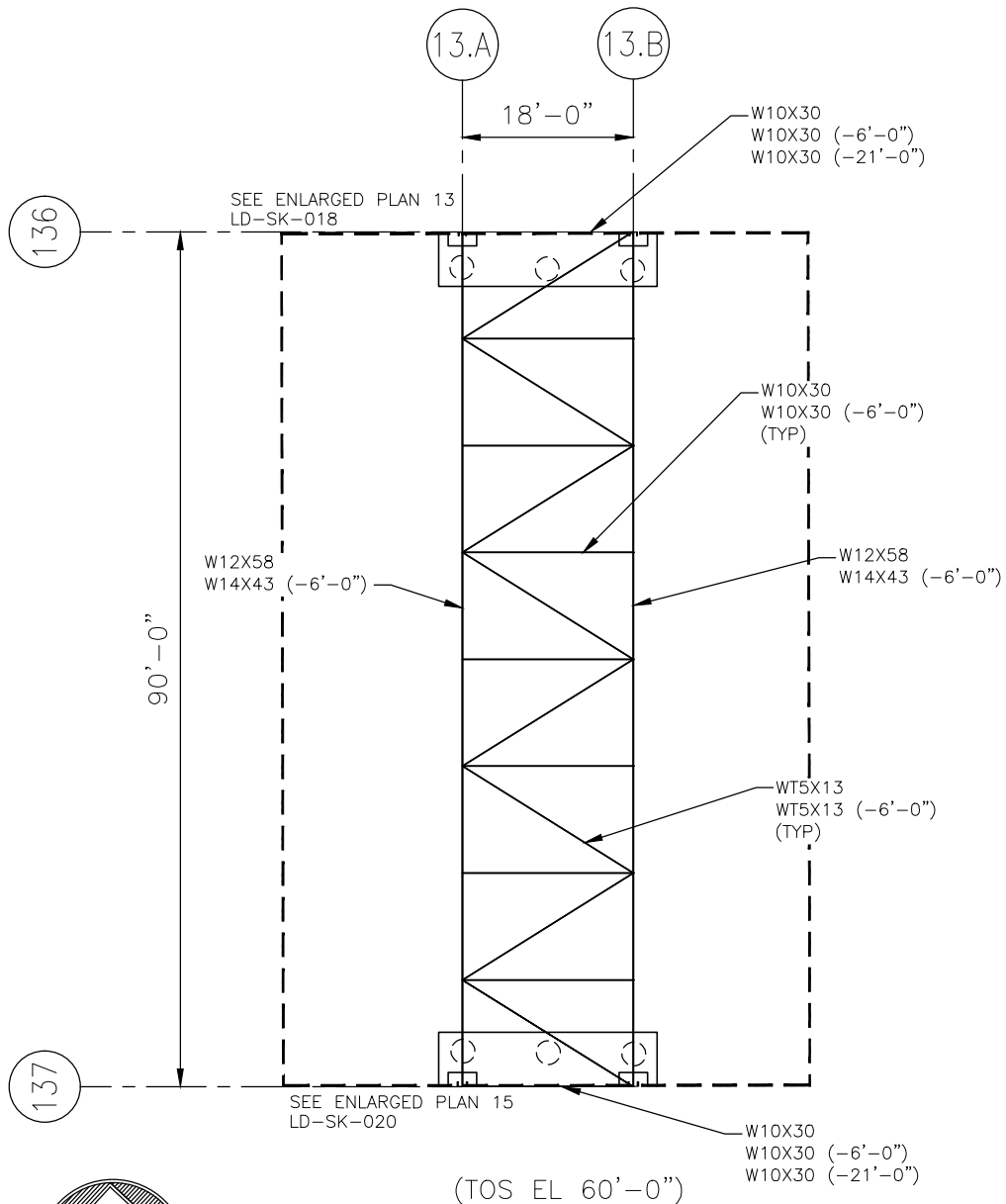
DRAWING NUMBER:
LD-SK-018

PRELIMINARY
FOR PERMIT PURPOSES ONLY

MARK HUGHES
LA PE # 30262
CDI ENGINEERING SOLUTIONS, LLC

CDI Engineering Solutions

CDI ENGINEERING SOLUTIONS, LLC
4041 ESSEN LANE, SUITE 300
BATON ROUGE, LA 70809
(225) 663-4600
LOUISIANA LICENSE NO. EF.0006994



PLANT

ENLARGED PLAN 14

1"=20'

DRAWN KR
CHECKED MH
ISSUE DATE 11/21
PROJECT NO. 113.G000341.BR00

IMTT DOCK BRIDGE &
PIPE RACK EXTENSION

GEISMAR, LOUISIANA
ASCENSION PARISH

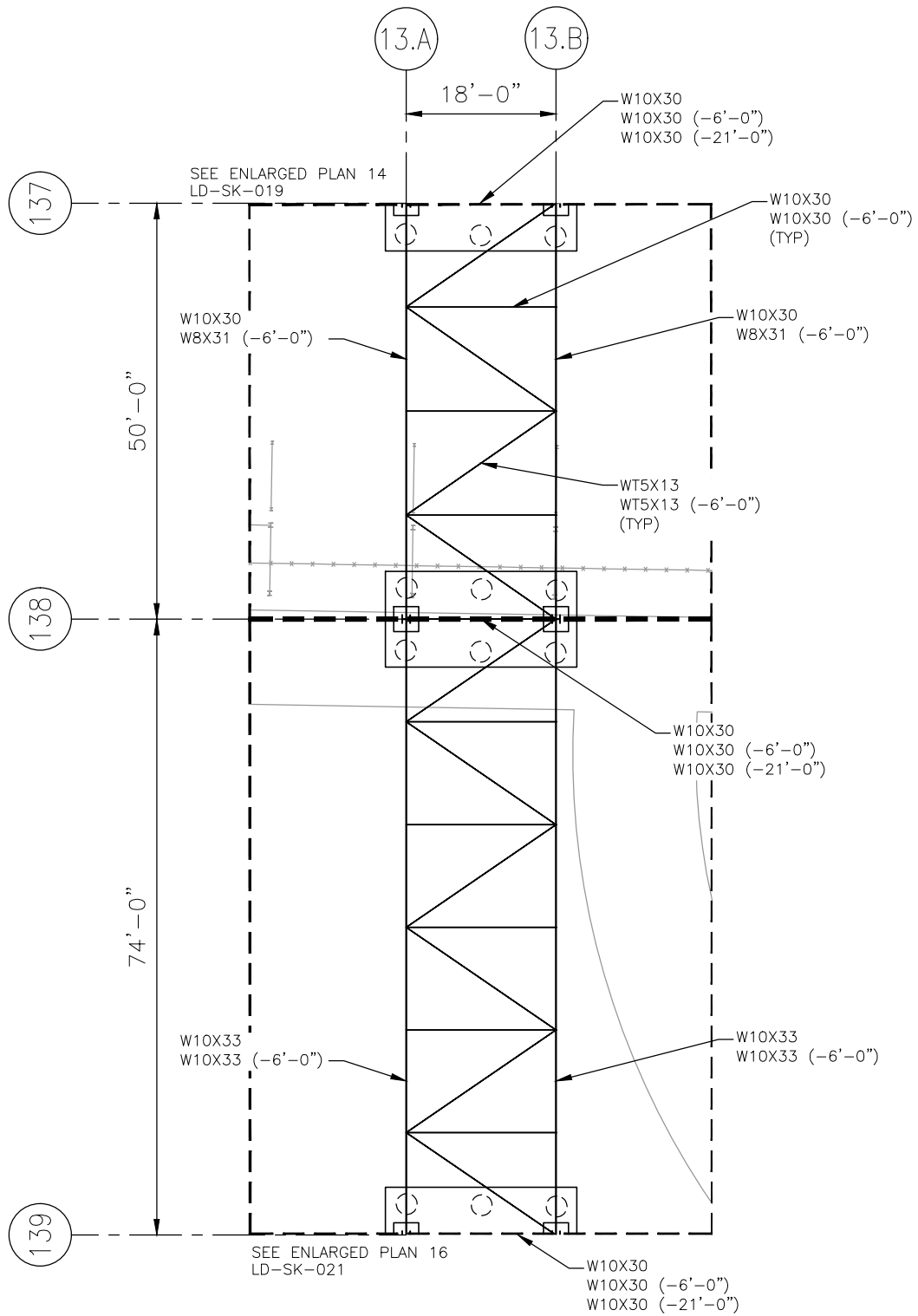
FOR IMTT-GEISMAR

REVISION	BY
REVISION 0	KRM/H

DRAWING NUMBER: LD-SK-019
PRELIMINARY
FOR PERMIT PURPOSES ONLY
MARK HUGHES LA PE # 30262 CDI ENGINEERING SOLUTIONS, LLC

CDI Engineering Solutions

CDI ENGINEERING SOLUTIONS, LLC
4041 ESSEN LANE, SUITE 300
BATON ROUGE, LA 70809
(225) 663-4600
LOUISIANA LICENSE NO. EF.0006994



(TOS EL 60'-0")
ENLARGED PLAN 15

1"=20'



PLANT

DRAWN KR
CHECKED MH
ISSUE DATE 11/21
PROJECT NO. 113.G000341.B.R00

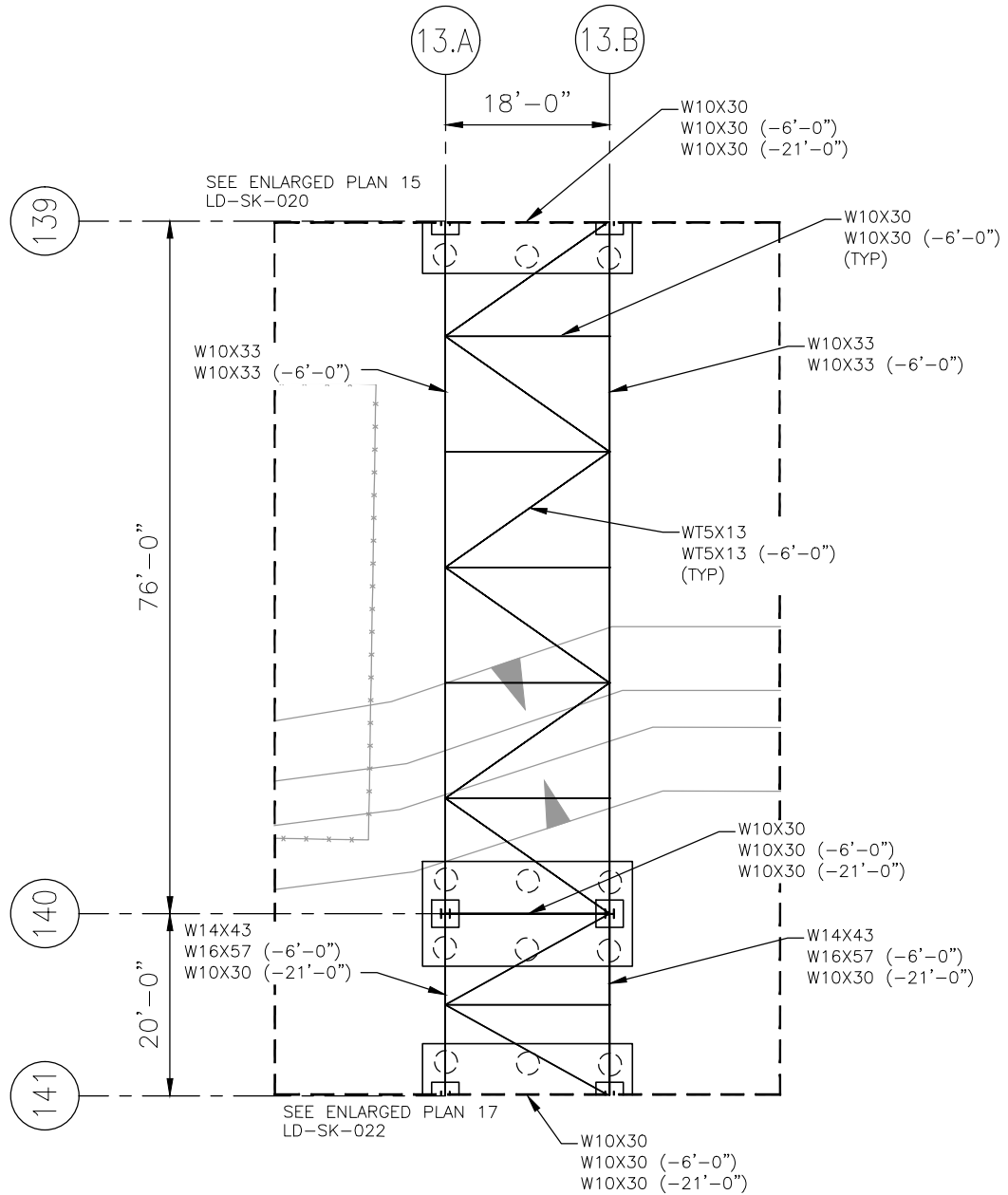
IMTT DOCK BRIDGE &
 PIPE RACK EXTENSION

GEISMAR, LOUISIANA
 ASCENSION PARISH
 FOR IMTT-GEISMAR

REVISION	BY	DRAWING NUMBER:
REVISION 0	KRM/H	LD-SK-020
PRELIMINARY		
FOR PERMIT PURPOSES ONLY		
MARK HUGHES LA PE # 30262 CDI ENGINEERING SOLUTIONS, LLC		

CDI Engineering Solutions

CDI ENGINEERING SOLUTIONS, LLC
 4041 ESSEN LANE, SUITE 300
 BATON ROUGE, LA 70809
 (225) 663-4600
 LOUISIANA LICENSE NO. EF.0006994



(TOS EL 60'-0")

ENLARGED PLAN 16

1" = 20'



PLANT

DRAWN KR
CHECKED MH
ISSUE DATE 11/21
PROJECT NO. 113.G000341.B.R00

IMTT DOCK BRIDGE &
PIPE RACK EXTENSION

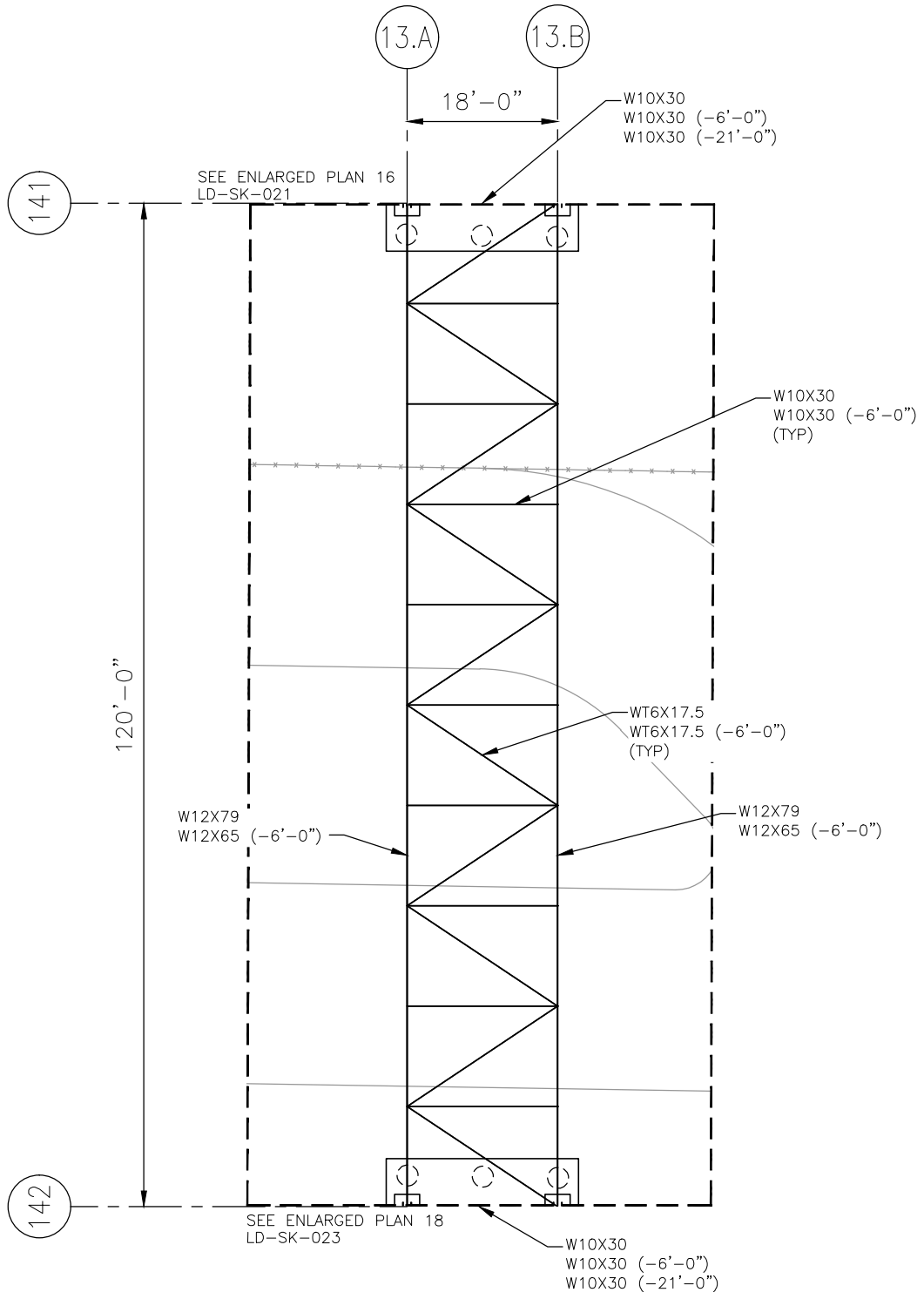
GEISMAR, LOUISIANA
ASCENSION PARISH
FOR IMTT-GEISMAR

REVISION	BY
REVISION 0	KRM/H

DRAWING NUMBER: LD-SK-021	
PRELIMINARY	
FOR PERMIT PURPOSES ONLY	
MARK HUGHES LA PE # 30262 CDI ENGINEERING SOLUTIONS, LLC	

CDI Engineering Solutions

CDI ENGINEERING SOLUTIONS, LLC
4041 ESSEN LANE, SUITE 300
BATON ROUGE, LA 70809
(225) 663-4600
LOUISIANA LICENSE NO. EF.0006994



(TOS EL 60'-0")

ENLARGED PLAN 17

1"=20'



PLANT

DRAWN KR
CHECKED MH
ISSUE DATE 11/21
PROJECT NO. 113.G000341.BR00

IMTT DOCK BRIDGE &
PIPE RACK EXTENSION

GEISMAR, LOUISIANA
ASCENSION PARISH

FOR IMTT-GEISMAR

REVISION	BY
REVISION 0	KRM/H

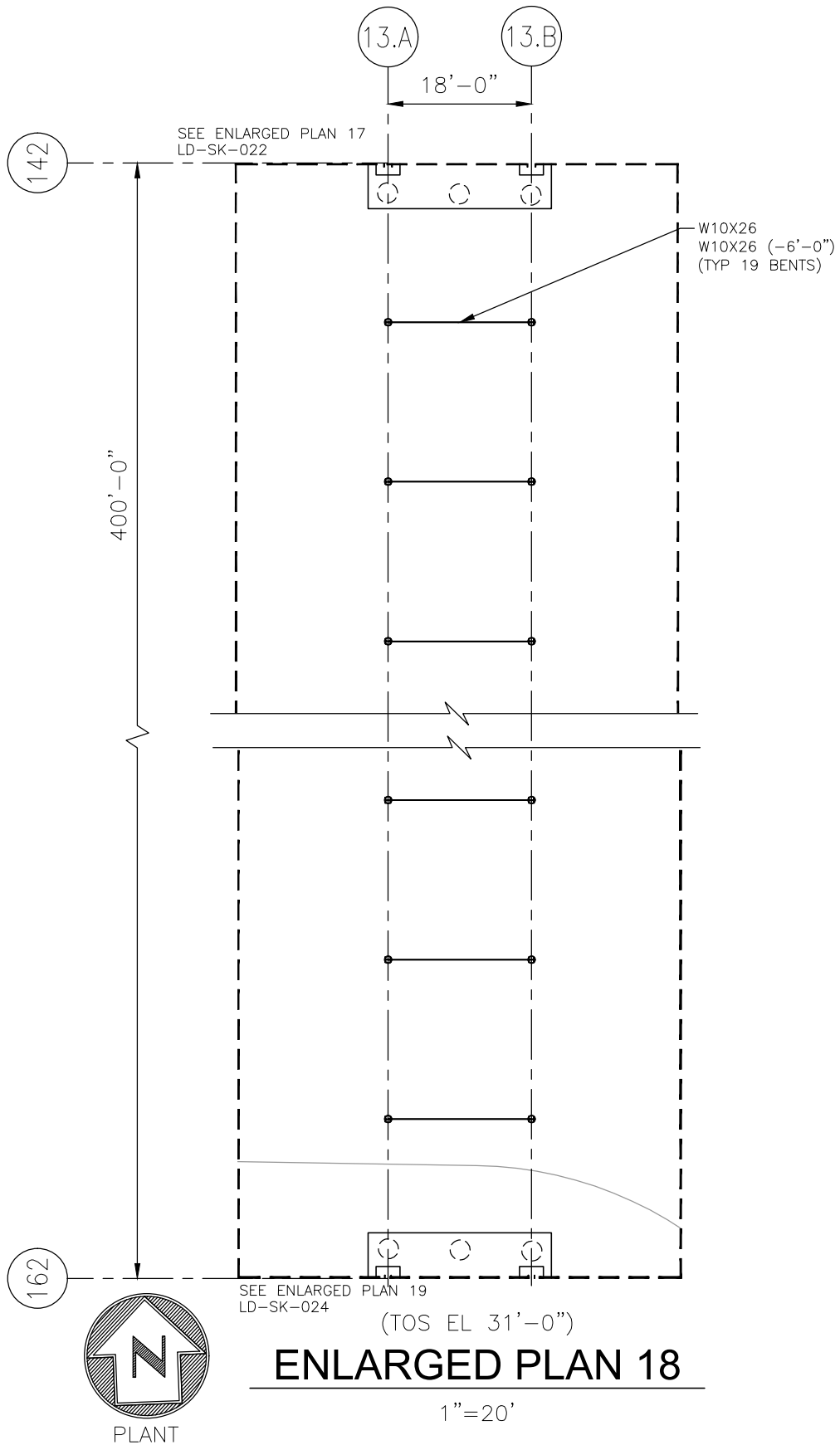
DRAWING NUMBER:
LD-SK-022

PRELIMINARY
FOR PERMIT PURPOSES ONLY

MARK HUGHES
LA PE # 30262
CDI ENGINEERING SOLUTIONS, LLC

CDI Engineering Solutions

CDI ENGINEERING SOLUTIONS, LLC
4041 ESSEN LANE, SUITE 300
BATON ROUGE, LA 70809
(225) 663-4600
LOUISIANA LICENSE NO. EF.0006994



DRAWN KR
CHECKED MH
ISSUE DATE 11/21
PROJECT NO. 113.G000341.BR00

IMTT DOCK BRIDGE &
PIPE RACK EXTENSION

GEISMAR, LOUISIANA
ASCENSION PARISH

FOR IMTT-GEISMAR

REVISION	BY
REVISION 0	KRM/H

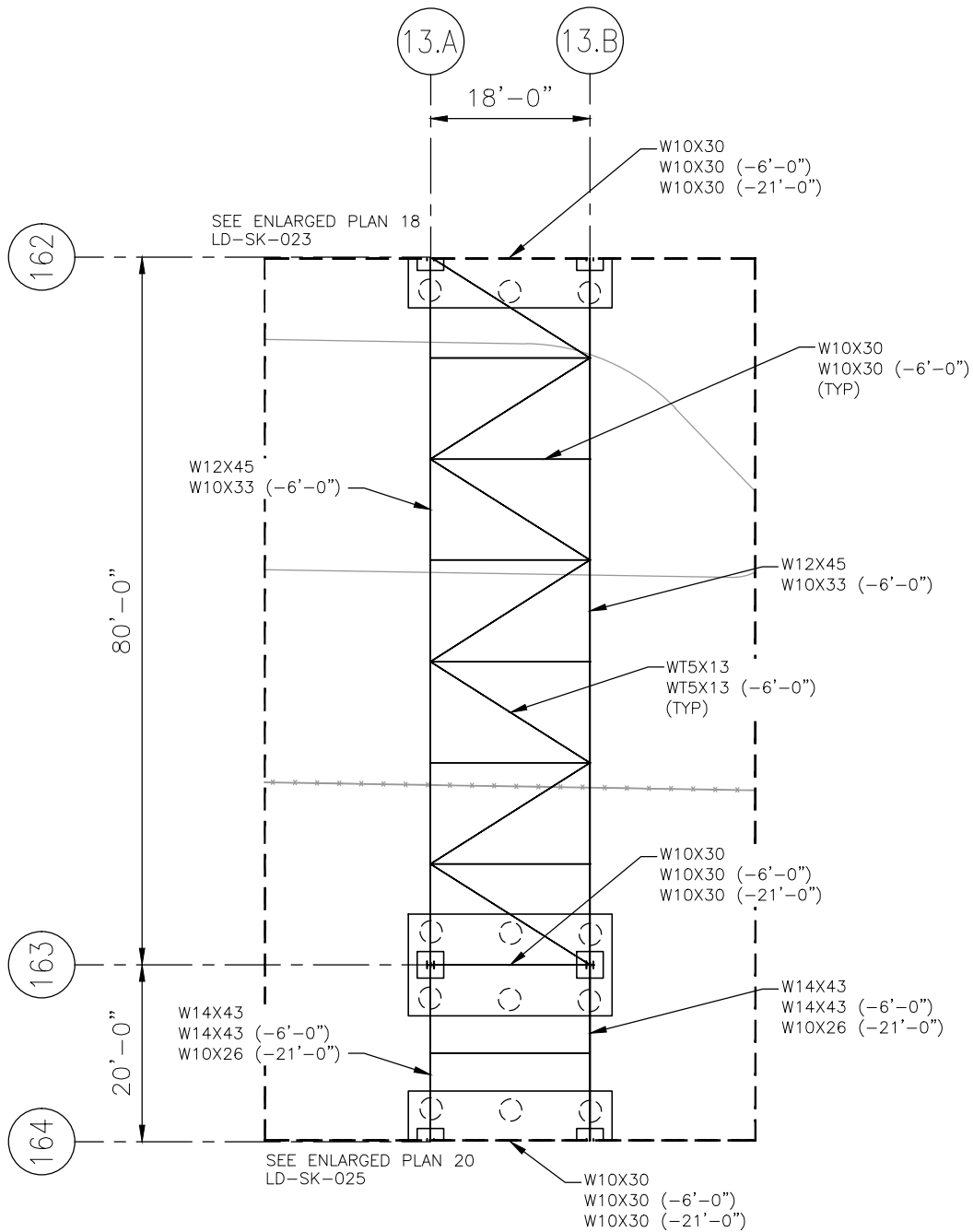
DRAWING NUMBER:
LD-SK-023

PRELIMINARY
FOR PERMIT PURPOSES ONLY

MARK HUGHES
LA PE # 30262
CDI ENGINEERING SOLUTIONS, LLC

CDI Engineering Solutions

CDI ENGINEERING SOLUTIONS, LLC
4041 ESSEN LANE, SUITE 300
BATON ROUGE, LA 70809
(225) 663-4600
LOUISIANA LICENSE NO. EF.0006994



PLANT

(TOS EL 60'-0")
ENLARGED PLAN 19

1"=20'

DRAWN KR
CHECKED MH
ISSUE DATE 11/21
PROJECT NO. 113.G000341.B.R00

IMTT DOCK BRIDGE &
 PIPE RACK EXTENSION

GEISMAR, LOUISIANA
 ASCENSION PARISH

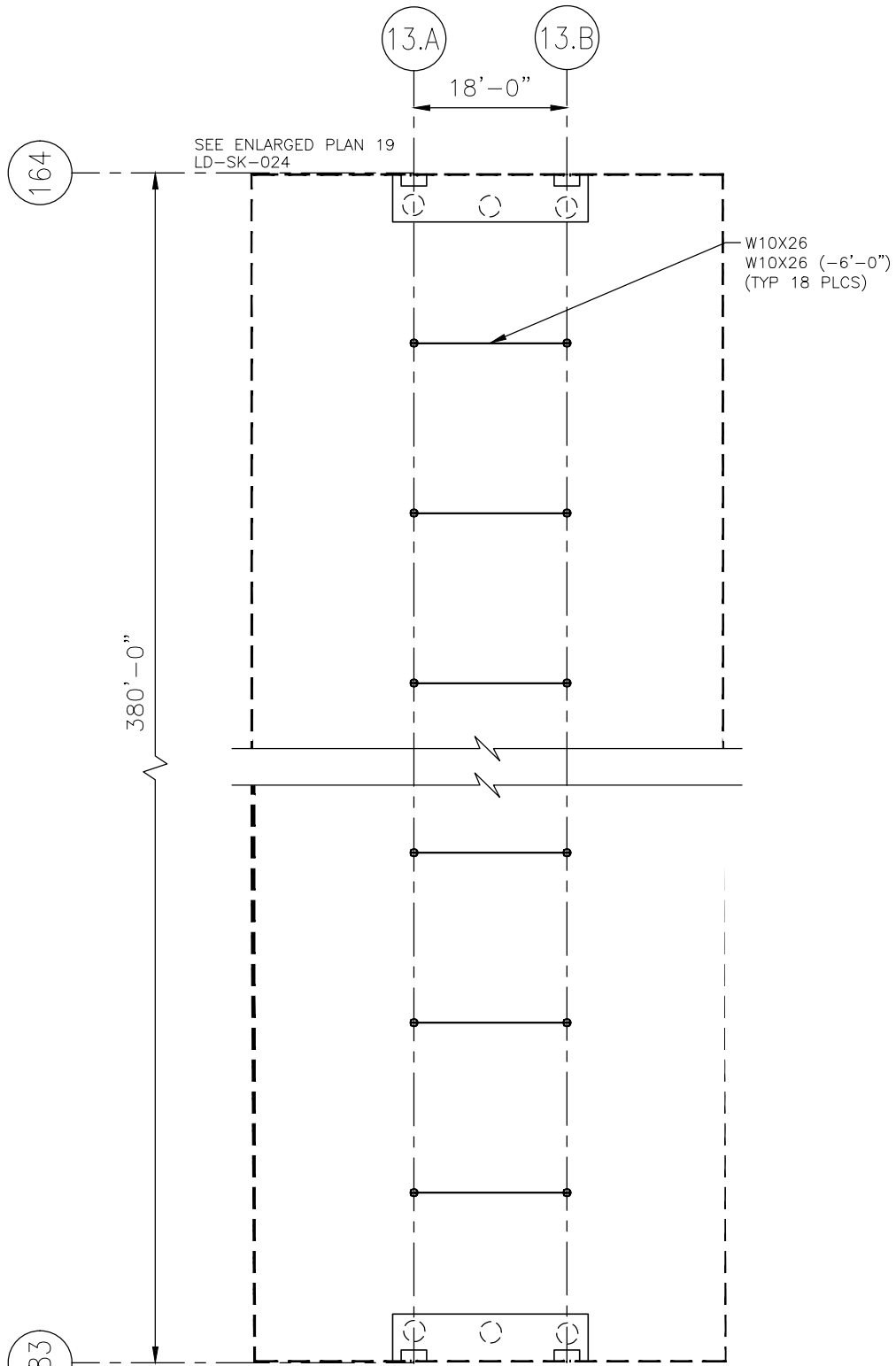
FOR IMTT-GEISMAR

REVISION	BY
REVISION 0	KRM/H

DRAWING NUMBER: LD-SK-024	
PRELIMINARY	
FOR PERMIT PURPOSES ONLY	
MARK HUGHES LA PE # 30262	
CDI ENGINEERING SOLUTIONS, LLC	

CDI Engineering Solutions

CDI ENGINEERING SOLUTIONS, LLC
 4041 ESSEN LANE, SUITE 300
 BATON ROUGE, LA 70809
 (225) 663-4600
 LOUISIANA LICENSE NO. EF.0006994



(TOS EL 31'-0")
ENLARGED PLAN 20
 1"=20'



PLANT

DRAWN KR
CHECKED MH
ISSUE DATE 11/21
PROJECT NO. 113.G000341.BR00

IMTT DOCK BRIDGE &
 PIPE RACK EXTENSION

GEISMAR, LOUISIANA
 ASCENSION PARISH

FOR IMTT-GEISMAR

REVISION	BY
REVISION 0	KRM/H

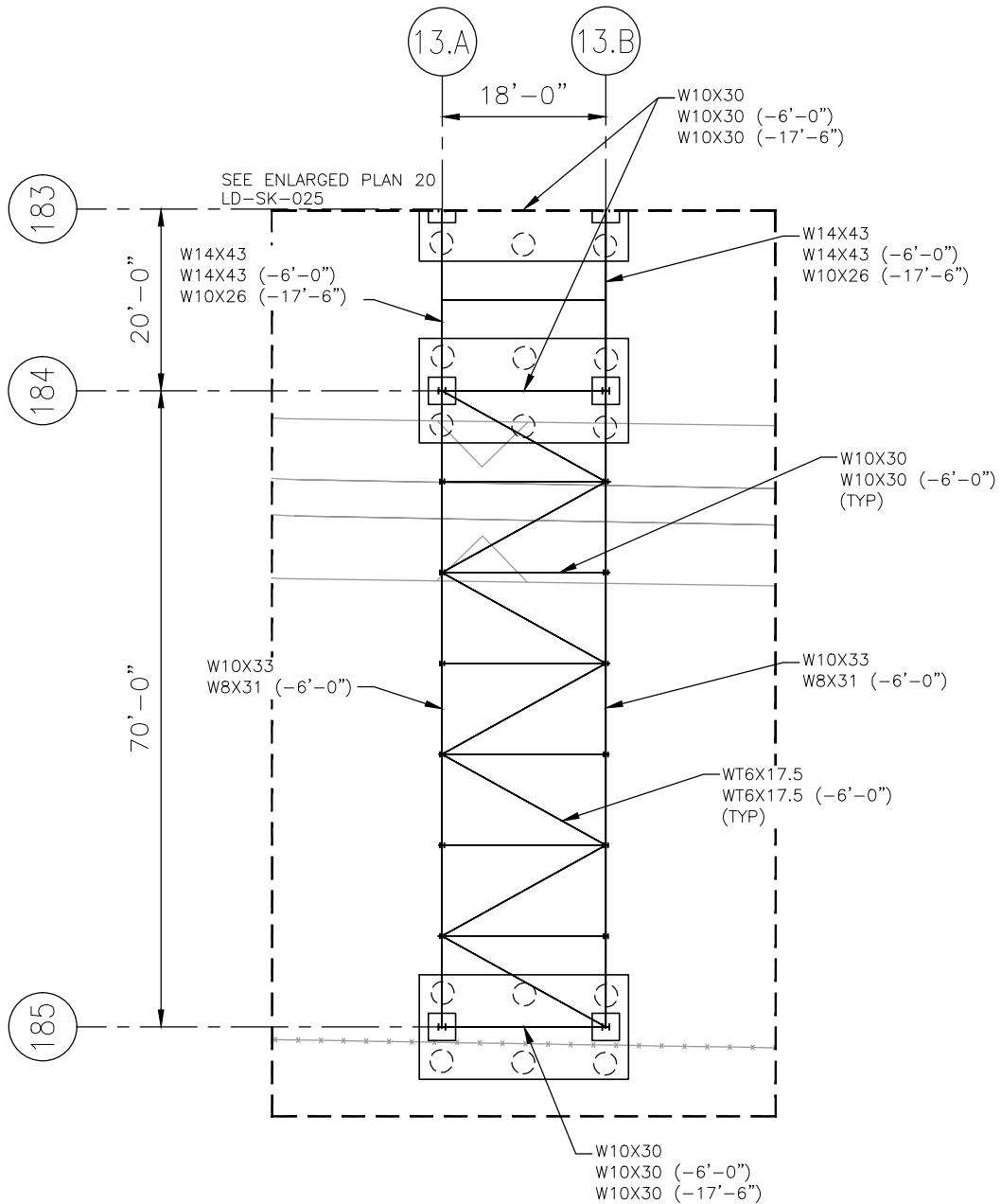
DRAWING NUMBER:
 LD-SK-025

PRELIMINARY
 FOR PERMIT PURPOSES ONLY

MARK HUGHES
 LA PE # 30262
 CDI ENGINEERING SOLUTIONS, LLC

CDI Engineering Solutions

CDI ENGINEERING SOLUTIONS, LLC
 4041 ESSEN LANE, SUITE 300
 BATON ROUGE, LA 70809
 (225) 663-4600
 LOUISIANA LICENSE NO. EF.0006994



(TOS EL 53'-0")

ENLARGED PLAN 21

1"=20'



PLANT

DRAWN KR
CHECKED MH
ISSUE DATE 11/21
PROJECT NO. 113.G000341.B.R00

IMTT DOCK BRIDGE &
PIPE RACK EXTENSION

GEISMAR, LOUISIANA
ASCENSION PARISH

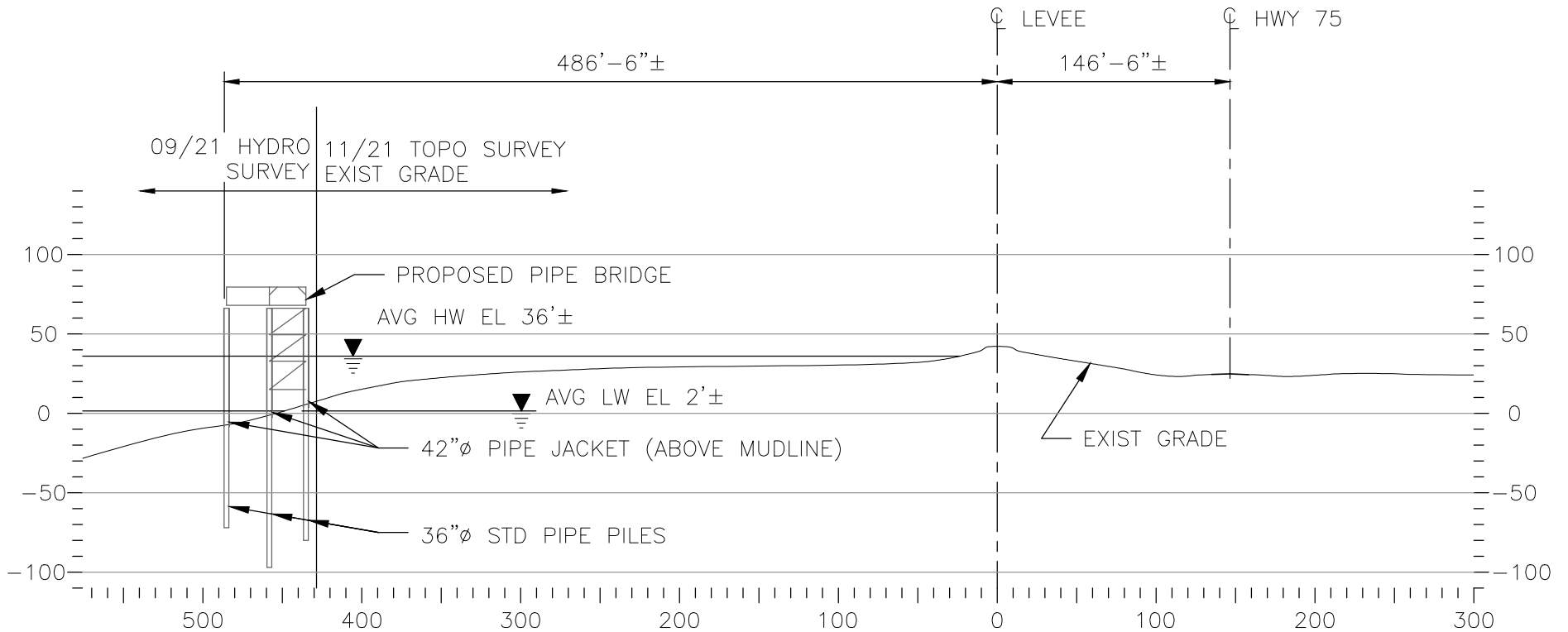
FOR IMTT-GEISMAR

REVISION	BY
REVISION 0	KRM/H

DRAWING NUMBER: LD-SK-026	
PRELIMINARY	
FOR PERMIT PURPOSES ONLY	
MARK HUGHES LA PE # 30262 CDI ENGINEERING SOLUTIONS, LLC	

CDI Engineering Solutions

CDI ENGINEERING SOLUTIONS, LLC
4041 ESSEN LANE, SUITE 300
BATON ROUGE, LA 70809
(225) 663-4600
LOUISIANA LICENSE NO. EF.0006994



SECTION A-A

1"=100'

LD-SK-002

DRAWN KR
CHECKED MH
ISSUE DATE 11/21
PROJECT NO. 113.G000341.BR00

IMTT DOCK BRIDGE & PIPE RACK EXTENSION

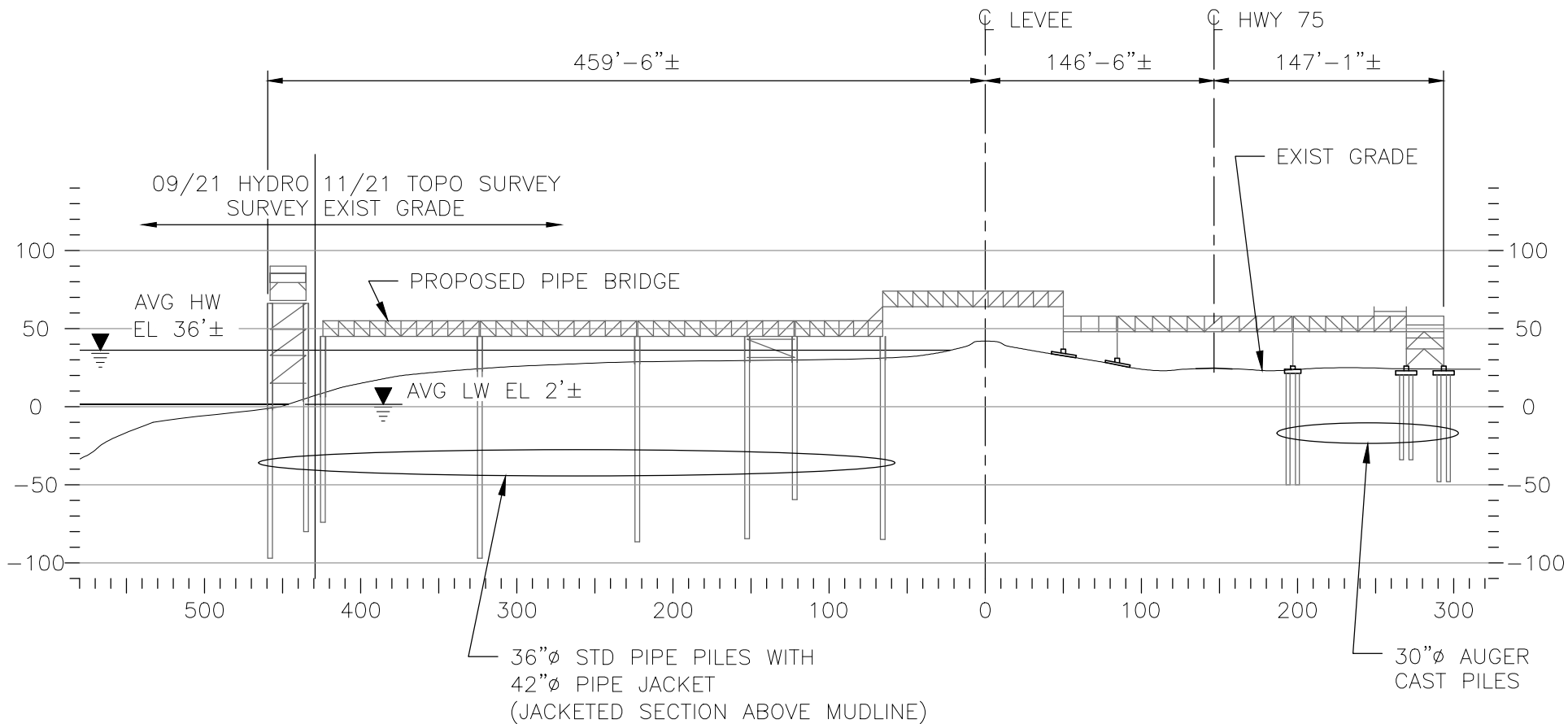
GEISMAR, LOUISIANA
ASCENSION PARISH

FOR IMTT-GEISMAR

REVISION	BY	DRAWING NUMBER:
REVISION 0	KR/MH	LD-SK-027
PRELIMINARY		
FOR PERMIT PURPOSES ONLY		
MARK HUGHES LA PE # 30262 CDI ENGINEERING SOLUTIONS, LLC		

CDI Engineering Solutions

CDI ENGINEERING SOLUTIONS, LLC
4041 ESSEN LANE, SUITE 300
BATON ROUGE, LA 70809
(225) 663-4600
LOUISIANA LICENSE NO. EF.0006994



SECTION B-B

1"=100'

LD-SK-002

DRAWN KR
CHECKED MH
ISSUE DATE 11/21
PROJECT NO. 113.G000341.BR00

IMTT DOCK BRIDGE &
PIPE RACK EXTENSION

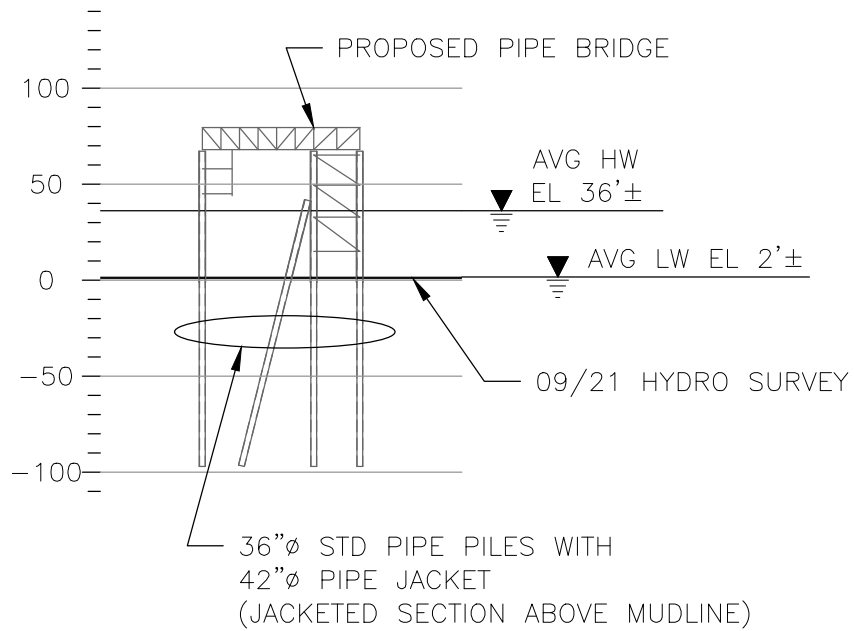
GEISMAR, LOUISIANA
ASCENSION PARISH

FOR IMTT-GEISMAR

REVISION	BY	DRAWING NUMBER:
REVISION 0	KR/MH	LD-SK-028
PRELIMINARY		
FOR PERMIT PURPOSES ONLY		
MARK HUGHES LA PE # 30262		
CDI ENGINEERING SOLUTIONS, LLC		

CDI Engineering Solutions

CDI ENGINEERING SOLUTIONS, LLC
4041 ESSEN LANE, SUITE 300
BATON ROUGE, LA 70809
(225) 663-4600
LOUISIANA LICENSE NO. EF.0006994



SECTION C-C

1"=100'
LD-SK-002

DRAWN KR
CHECKED MH
ISSUE DATE 11/21
PROJECT NO. 113.G000341.BR00

IMTT DOCK BRIDGE &
PIPE RACK EXTENSION

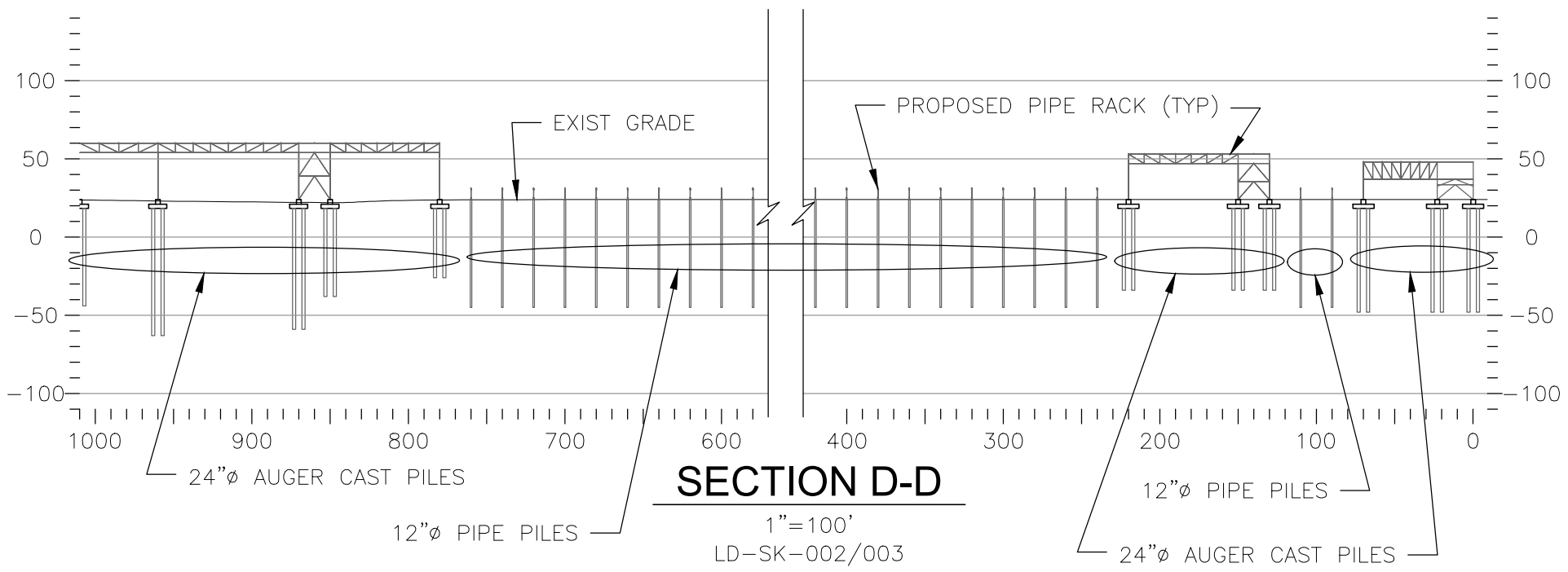
GEISMAR, LOUISIANA
ASCENSION PARISH

FOR IMTT-GEISMAR

REVISION	BY	DRAWING NUMBER:
REVISION 0	KR/MH	LD-SK-029
PRELIMINARY		
FOR PERMIT PURPOSES ONLY		
MARK HUGHES LA PE # 30262		
CDI ENGINEERING SOLUTIONS, LLC		

CDI Engineering Solutions

CDI ENGINEERING SOLUTIONS, LLC
4041 ESSEN LANE, SUITE 300
BATON ROUGE, LA 70809
(225) 663-4600
LOUISIANA LICENSE NO. EF.0006994



SECTION D-D

1"=100'
LD-SK-002/003

DRAWN KR
CHECKED MH
ISSUE DATE 11/21
PROJECT NO. 113.G000341.BR00

IMTT DOCK BRIDGE &
PIPE RACK EXTENSION

GEISMAR, LOUISIANA
ASCENSION PARISH

FOR IMTT-GEISMAR

REVISION	BY
REVISION 0	KR/MH

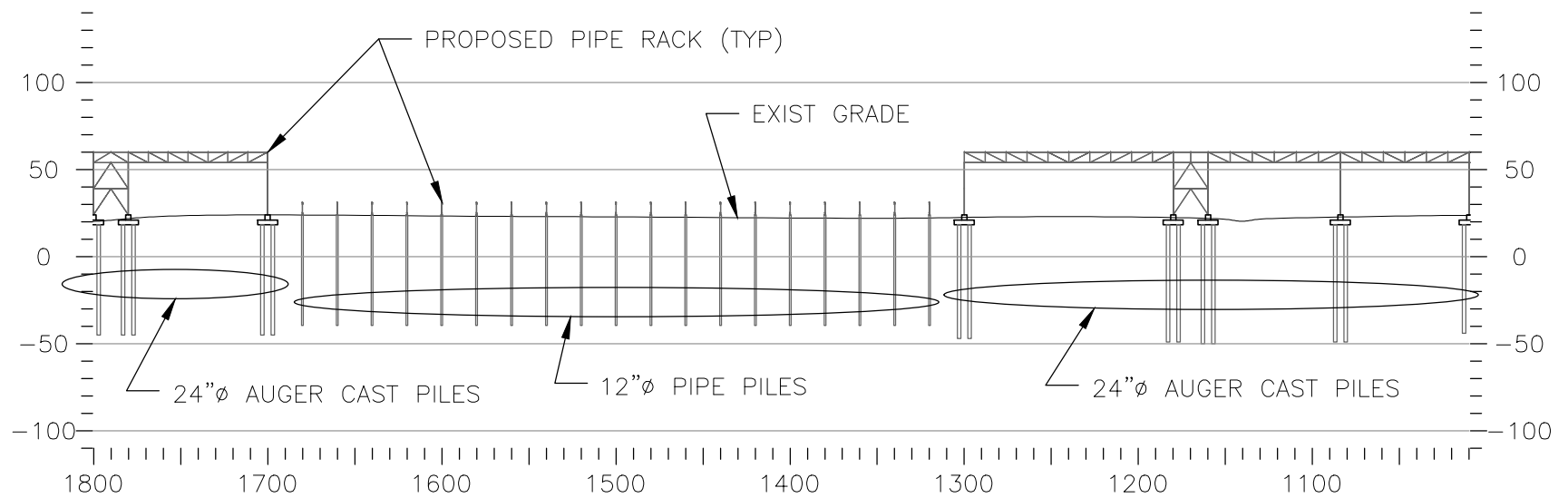
DRAWING NUMBER:
LD-SK-030

PRELIMINARY
FOR PERMIT PURPOSES ONLY

MARK HUGHES
LA PE # 30262
CDI ENGINEERING SOLUTIONS, LLC

CDI Engineering Solutions

CDI ENGINEERING SOLUTIONS, LLC
4041 ESSEN LANE, SUITE 300
BATON ROUGE, LA 70809
(225) 663-4600
LOUISIANA LICENSE NO. EF.0006994



SECTION E-E

1" = 100'
LD-SK-004

DRAWN KR
CHECKED MH
ISSUE DATE 11/21
PROJECT NO. 113.G000341.BR00

IMTT DOCK BRIDGE & PIPE RACK EXTENSION

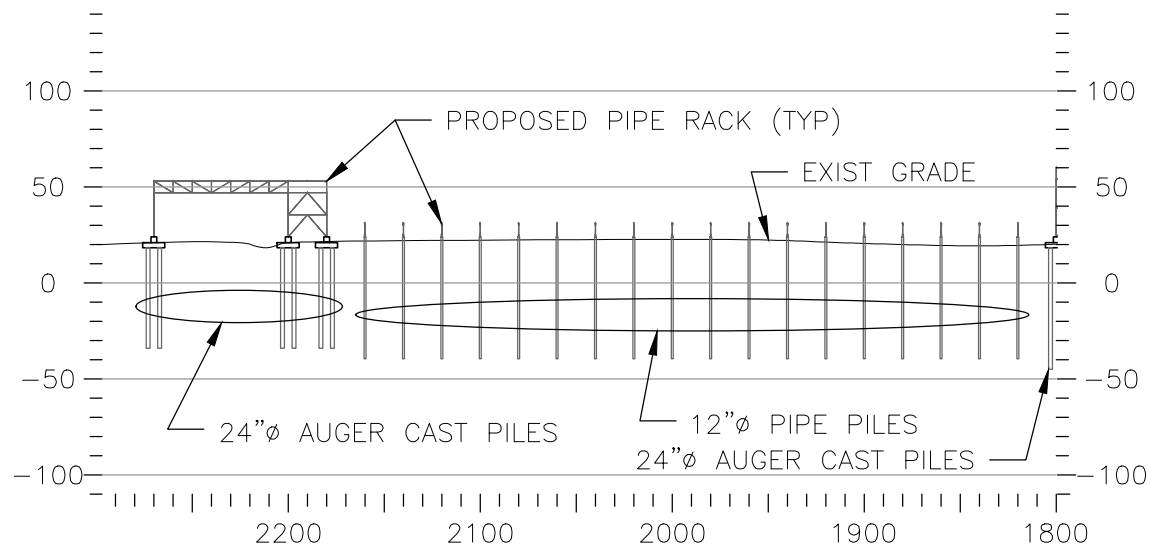
GEISMAR, LOUISIANA
ASCENSION PARISH

FOR IMTT-GEISMAR

REVISION	BY	DRAWING NUMBER:
REVISION 0	KR/MH	LD-SK-031
PRELIMINARY		
FOR PERMIT PURPOSES ONLY		
MARK HUGHES LA PE # 30262 CDI ENGINEERING SOLUTIONS, LLC		

CDI Engineering Solutions

CDI ENGINEERING SOLUTIONS, LLC
4041 ESSEN LANE, SUITE 300
BATON ROUGE, LA 70809
(225) 663-4600
LOUISIANA LICENSE NO. EF.0006994



SECTION F-F

1" = 100'
LD-SK-005

DRAWN KR
CHECKED MH
ISSUE DATE 11/21
PROJECT NO. 113.G000341.BR00

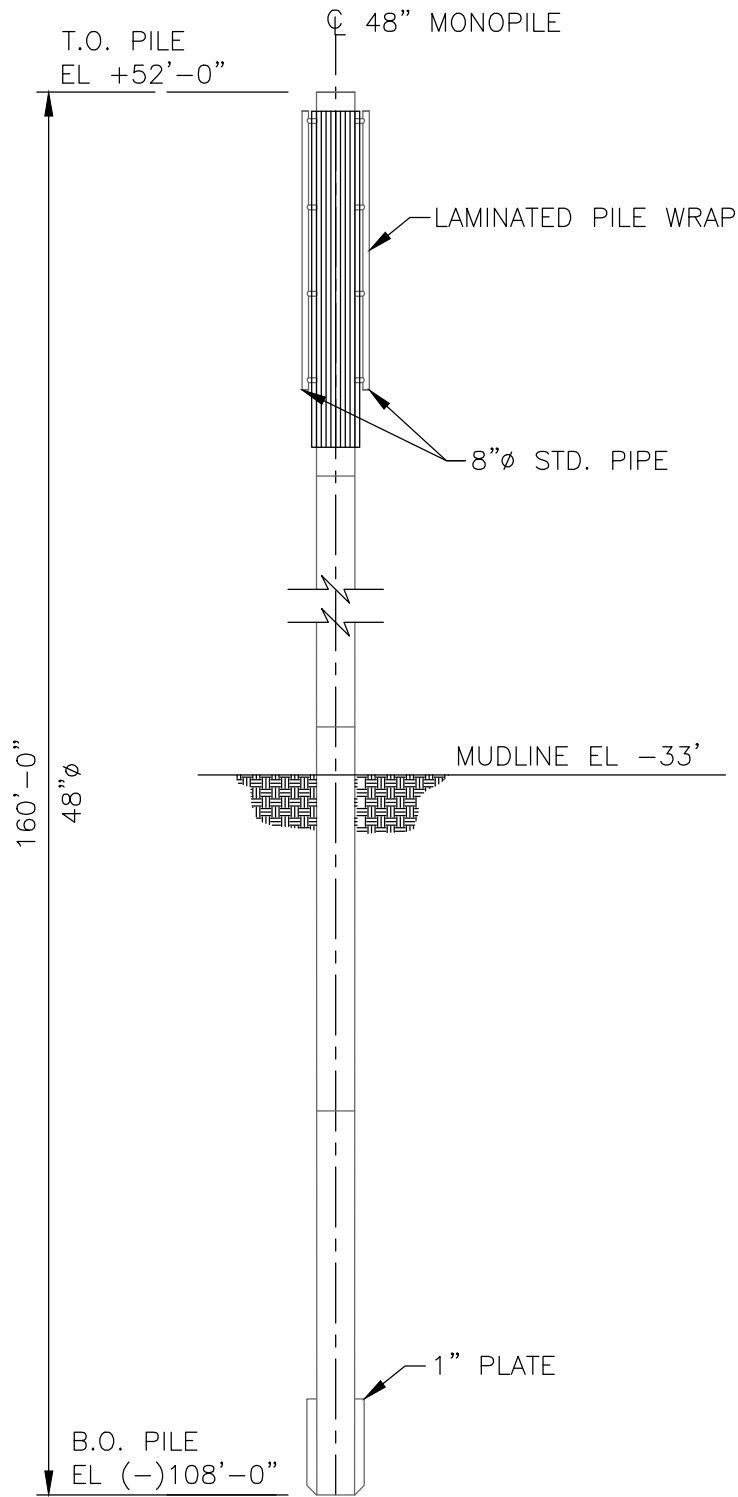
IMTT DOCK BRIDGE & PIPE RACK EXTENSION

GEISMAR, LOUISIANA
ASCENSION PARISH
FOR IMTT-GEISMAR

REVISION	BY	DRAWING NUMBER:
REVISION 0	KR/MH	LD-SK-032
PRELIMINARY		
FOR PERMIT PURPOSES ONLY		
MARK HUGHES LA PE # 30262 CDI ENGINEERING SOLUTIONS, LLC		

CDI Engineering Solutions

CDI ENGINEERING SOLUTIONS, LLC
4041 ESSEN LANE, SUITE 300
BATON ROUGE, LA 70809
(225) 663-4600
LOUISIANA LICENSE NO. EF.0006994



MONOPILE SECTION

1"=10'-0"
(3 REQD.)

DRAWN KR
CHECKED MH
ISSUE DATE 11/21
PROJECT NO. 113.G000341.BR00

IMTT DOCK BRIDGE &
PIPE RACK EXTENSION

GEISMAR, LOUISIANA
ASCENSION PARISH
FOR IMTT-GEISMAR

REVISION	BY
REVISION 0	KRM/H

DRAWING NUMBER: LD-SK-033
PRELIMINARY
FOR PERMIT PURPOSES ONLY
MARK HUGHES LA PE # 30262 CDI ENGINEERING SOLUTIONS, LLC

CDI Engineering Solutions

CDI ENGINEERING SOLUTIONS, LLC
4041 ESSEN LANE, SUITE 300
BATON ROUGE, LA 70809
(225) 663-4600
LOUISIANA LICENSE NO. EF.0006994