



DEPARTMENT OF THE ARMY
U.S. ARMY CORPS OF ENGINEERS, NEW ORLEANS DISTRICT
7400 LEAKE AVE
NEW ORLEANS, LA 70118-3651

PUBLIC NOTICE

August 8, 2022

United States Army
Corps of Engineers
New Orleans District
Attn: Regulatory Division, RGW
7400 Leake Ave.
New Orleans, Louisiana 70118-3651

Project Manager:
Sara Fortuna
(504) 862-2284
sara.b.fortuna@usace.army.mil
Application #: MVN-2022-00665 WKK

Interested parties are hereby notified that a permit application has been received by the New Orleans District of the U.S. Army Corps of Engineers pursuant to: [] Section 10 of the Rivers and Harbors Act of March 3, 1899 (30 Stat. 1151; 33 USC 403); and/or [] Section 404 of the Clean Water Act (86 Stat. 816; 33 USC 1344).

DREDGING, LOADING DOCK, AND BULKHEAD IN ST. MARY PARISH

NAME OF APPLICANT: Sterling Sugars, L.L.C., c/o: GIS Engineering, L.L.C., 450 Laurel Street, Suite 1500, Baton Rouge, Louisiana 70801.

LOCATION OF WORK: Located in St. Mary Parish, off Irish Bend Road, in the community of Franklin, Louisiana, (Latitude North: 29.802111°N, Longitude West: -91.492222°W), as shown within the enclosed drawings. (Hydrologic Unit Code 08080102, Vermilion-Teche Basin).

CHARACTER OF WORK: Work consists of dredging approximately 18,380 cubic yards of fill material in Bayou Teche, installing 1,100 feet of bulkhead and twenty-five mooring bollards, and placing approximately 2,400 cubic yards of crushed stone and 6,400 cubic yards of sand behind the bulkhead, all to expand the existing facility's loading area. Approximately 1.55 acres of non-wetland waters would be temporarily impacted via dredging operations and 0.67 of an acre of non-wetland waters would be permanently impacted via filling operations. The dredged fill material would be hauled off to a non-wetland location. It is anticipated that no wetlands would be impacted at the project site.

The comment period on the requested Department of the Army Permit will close **20 days** from the date of this public notice. Written comments, including suggestions for modifications or objections to the proposed work, stating reasons thereof, are being solicited from anyone having interest in this permit request, and must be submitted so as to be received before or by the last day of the comment period. Letters and/or comments concerning the subject permit application must reference the Applicant's Name and the Permit Application Number and can be preferably emailed to the Corps of Engineer's project manager listed above or forwarded to the Corps of Engineers at the address above, **ATTENTION: REGULATORY DIVISION, RGW, "Sara Fortuna"**. Individuals or parties may also request an extension of time in which to comment on the proposed work by mail or preferably by emailing the specified project manager listed above. Any request for an extension of time to comment must be specific and substantively supportive of the requested extension and received by this office prior to the end of the initial comment period. The Branch Chief will review the request and the requester will be promptly notified of the decision to grant or deny the request. If granted, the time extension will be continuous and inclusive of the initial comment period and will not exceed a total of 30 calendar days.

Corps of Engineers Permit Criteria

The decision whether to issue a permit will be based on an evaluation of the probable impacts, including cumulative impacts of the proposed activity on the public interest. That decision will reflect the national concern for both protection and utilization of important resources. The benefit which reasonably may be expected to accrue from the proposal must be balanced against its reasonably foreseeable detriments. All factors which may be relevant to the proposal will be considered including the cumulative effects thereof; among those are conservation, economics, aesthetics, general environmental concerns, wetlands, historic properties, fish and wildlife values, flood hazards, floodplain values, land use, navigation, shoreline erosion and accretion, recreation, water supply and conservation, water quality, energy needs, safety, food and fiber production, mineral needs, considerations of property ownership and, in general, the needs and welfare of the people.

The U.S. Army Corps of Engineers is soliciting comments from the public, federal, state, and local agencies and officials, Indian Tribes, and other interested parties in order to consider and evaluate the impacts of this proposed activity. Any comments received will be considered by the U.S. Army Corps of Engineers to determine whether to make, modify, condition, or deny a permit for this proposal. To make this decision, comments are used to assess impacts on endangered species, historic properties, water quality, general environmental effects, and other public interest factors listed above. Comments are used in the preparation of an Environmental Assessment and/or an Environmental Impact Statement pursuant to the National Environmental Policy Act. Comments are also used to determine the need for a public hearing and to determine the overall public interest of the proposed activity.

The New Orleans District is unaware of properties listed on the National Register of Historic Places near the proposed work. The possibility exists that the proposed work may damage or destroy presently unknown archeological, scientific, prehistorical, historical sites, or data. As deemed necessary, copies of this public notice will be sent

to the State Archeologist, State Historic Preservation Officer, and federally listed tribes regarding potential impacts to cultural resources.

Our initial finding is that the proposed work would neither affect any species listed as endangered by the U.S. Departments of Interior or Commerce, nor affect any habitat designated as critical to the survival and recovery of any endangered species. Based on the Information Planning and Consultation (IPaC) tool for Endangered Species in Louisiana, as signed on January 27, 2020, between the U.S. Army Corps of Engineers, New Orleans and the U.S. Fish and Wildlife Service, it has been determined that the project would have no effect to any listed species.

This notice initiates the Essential Fish Habitat (EFH) consultation requirements of the Magnuson-Stevens Fishery Conservation and Management Act. The applicant's proposal may result in the destruction, alteration, and/or disturbance of **2.22 acres** of EFH utilized by various life stages of red drum and penaeid shrimp. Our initial determination is that the proposed action would not have a substantial adverse impact on EFH or federally managed fisheries in the Gulf of Mexico. Our final determination relative to project impacts and the need for mitigation measures is subject to review by and coordination with the National Marine Fisheries Service.

If the proposed work involves deposits of dredged or fill material into navigable waters, the evaluation of the probable impacts will include the application of guidelines established by the Administrator of the Environmental Protection Agency. *Also, a certification that the proposed activity will not violate applicable water quality standards will be required from the Louisiana Department of Environmental Quality before a Department of the Army permit could be issued.*

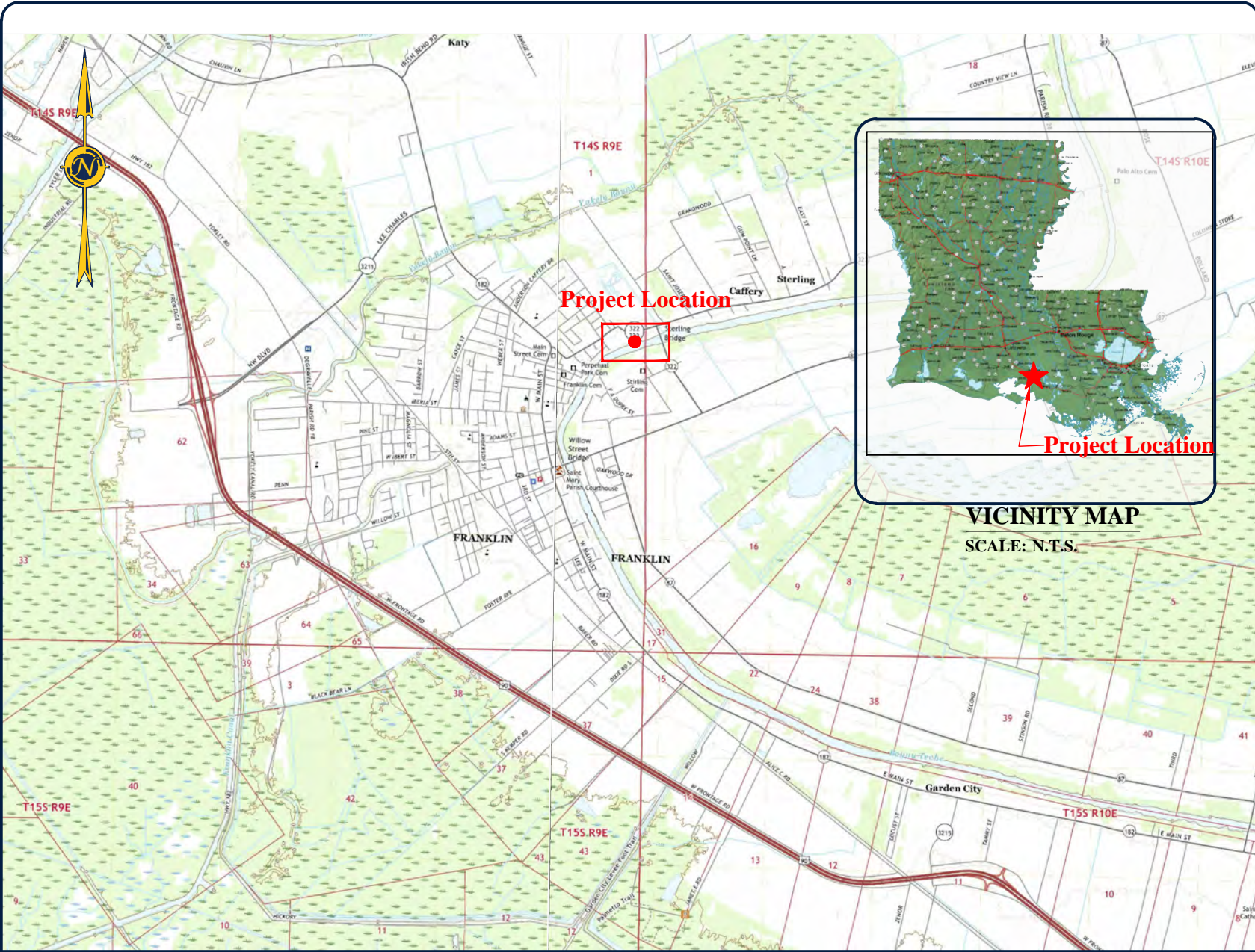
Any person may request, (preferably by email to the project manager, or in writing), within the comment period specified in this notice, that a public hearing be held to consider this application. Requests for public hearings shall state, with particularity, the reasons for holding a public hearing.

The applicant has certified that the proposed activity described in the application complies with and will be conducted in a manner that is consistent with the Louisiana Coastal Resources Program. The Department of the Army permit will not be issued unless the applicant receives approval or a waiver of the Coastal Use Permit by the Department of Natural Resources.

You are invited to communicate the information contained in this notice to any other parties whom you deem likely to have interest in the matter.

For: Darrell S. Barbara
Chief, Western Evaluation Branch
Regulatory Division

Enclosure

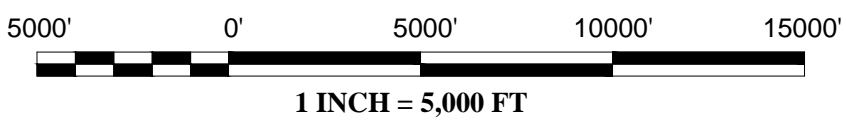


Project Location

Project Location

VICINITY MAP
SCALE: N.T.S.

NOTE: THE IMAGE ABOVE IS A GENERAL REPRESENTATION OF THE WORK AREA, ACTUAL FIELD CONDITIONS MAY DIFFER.



ENGINEERING LLC

Coastal Design & Infrastructure
197 Elysian Drive
Houma, LA 70363
O: (985) 219-1000 | F: (985) 475-7014
ENGINEERING • PLANNING • ENVIRONMENTAL CONSULTING

REVISIONS		
No.	Description	Date

FOR PERMIT APPLICATION ONLY
ENGINEER'S NAME
LA. LICENSE NO. 00000

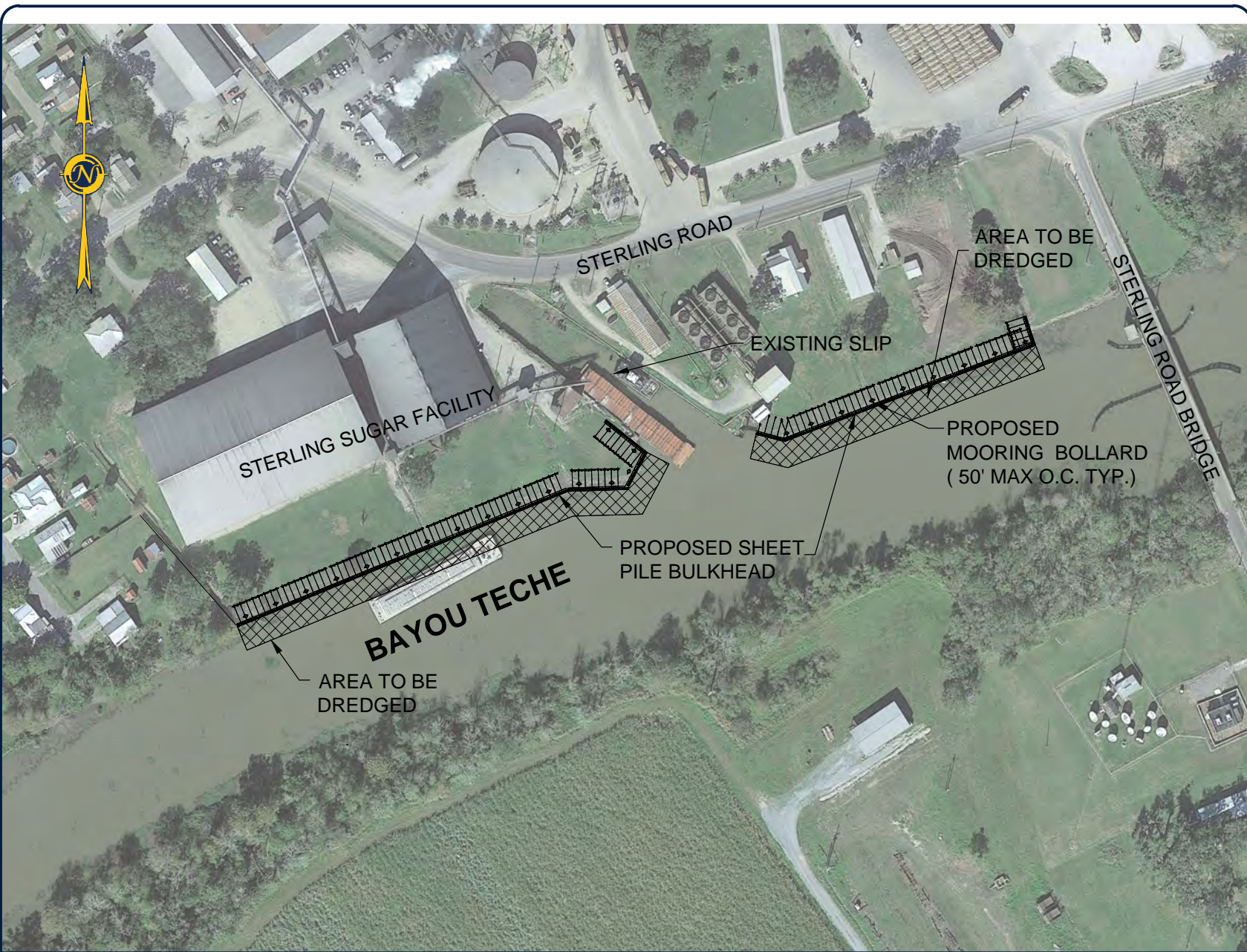
STERLING SUGAR LLC
BULKHEAD INSTALLATION PROJECT

VICINITY MAP

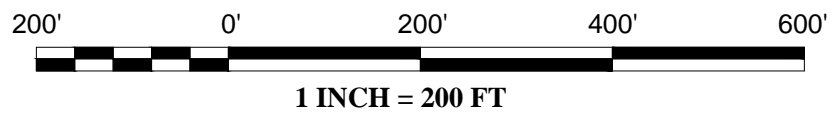
Project number	39145-1371
Date	APRIL 2021
Designed by	SDP
Drawn by	SDP
Checked by	MM
Checked by	MM
Plot Date	April 25, 2022

01

M:\Department_39\Client\STSU1 - Sterling Sugars, LLC\39145-1371_PO\5924\400_Execution\460_Drawings\461_DWG\Permit\CAD\01_Vicinity_Map.dwg



NOTE: THE IMAGE ABOVE IS A GENERAL REPRESENTATION OF THE WORK AREA. ACTUAL FIELD CONDITIONS MAY DIFFER.



ENGINEERING LLC

Coastal Design & Infrastructure
 197 Elysian Drive
 Houma, LA 70363
 O: (985) 219-1000 | F: (985) 475-7014
 ENGINEERING • PLANNING • ENVIRONMENTAL CONSULTING

REVISIONS

No.	Description	Date

FOR PERMIT APPLICATION ONLY

ENGINEER'S NAME
 LA. LICENSE NO. 00000

STERLING SUGAR LLC

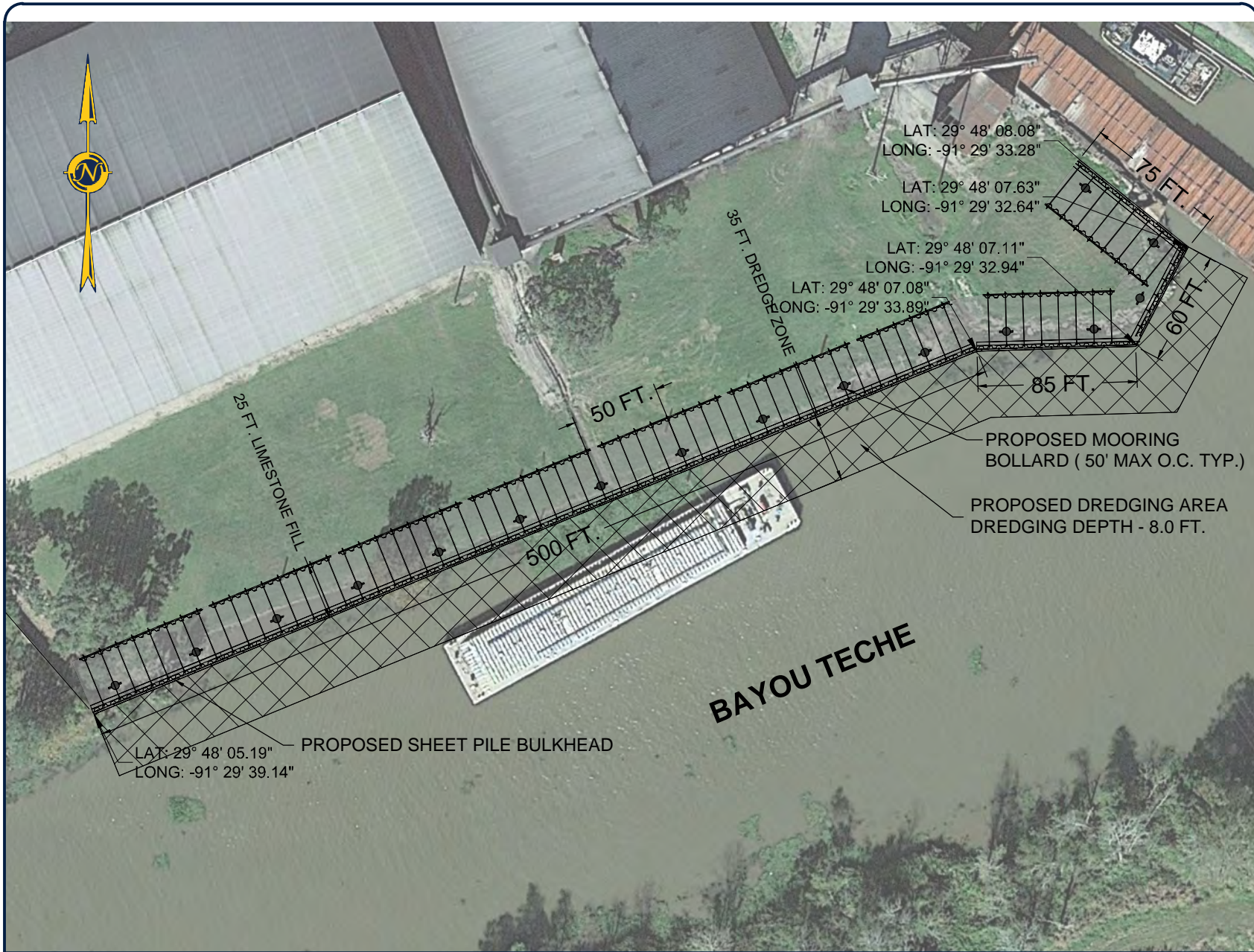
BULKHEAD INSTALLATION PROJECT

PLAN VIEW

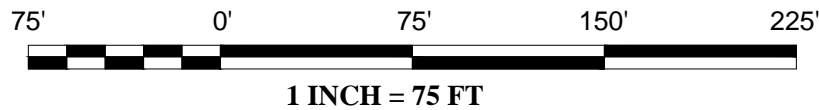
Project number	39145-1371
Date	APRIL 2021
Designed by	SDP
Drawn by	SDP
Checked by	MM
Checked by	MM
Plot Date	May 3, 2022

02

M:\Department_39\Client\STERLING - Sterling Sugar - LLC\39145-1371 - P018924\400 Excavation\460 Drawings\461 DWG\Permit\CA0\02 Plot View.dwg



NOTE: THE IMAGE ABOVE IS A GENERAL REPRESENTATION OF THE WORK AREA, ACTUAL FIELD CONDITIONS MAY DIFFER.



ENGINEERING LLC

Coastal Design & Infrastructure
197 Elysian Drive
Houma, LA 70363
O: (985) 219-1000 | F: (985) 475-7014

ENGINEERING • PLANNING • ENVIRONMENTAL CONSULTING

REVISIONS

No.	Description	Date

FOR PERMIT APPLICATION ONLY

ENGINEER'S NAME
LA. LICENSE NO. 00000

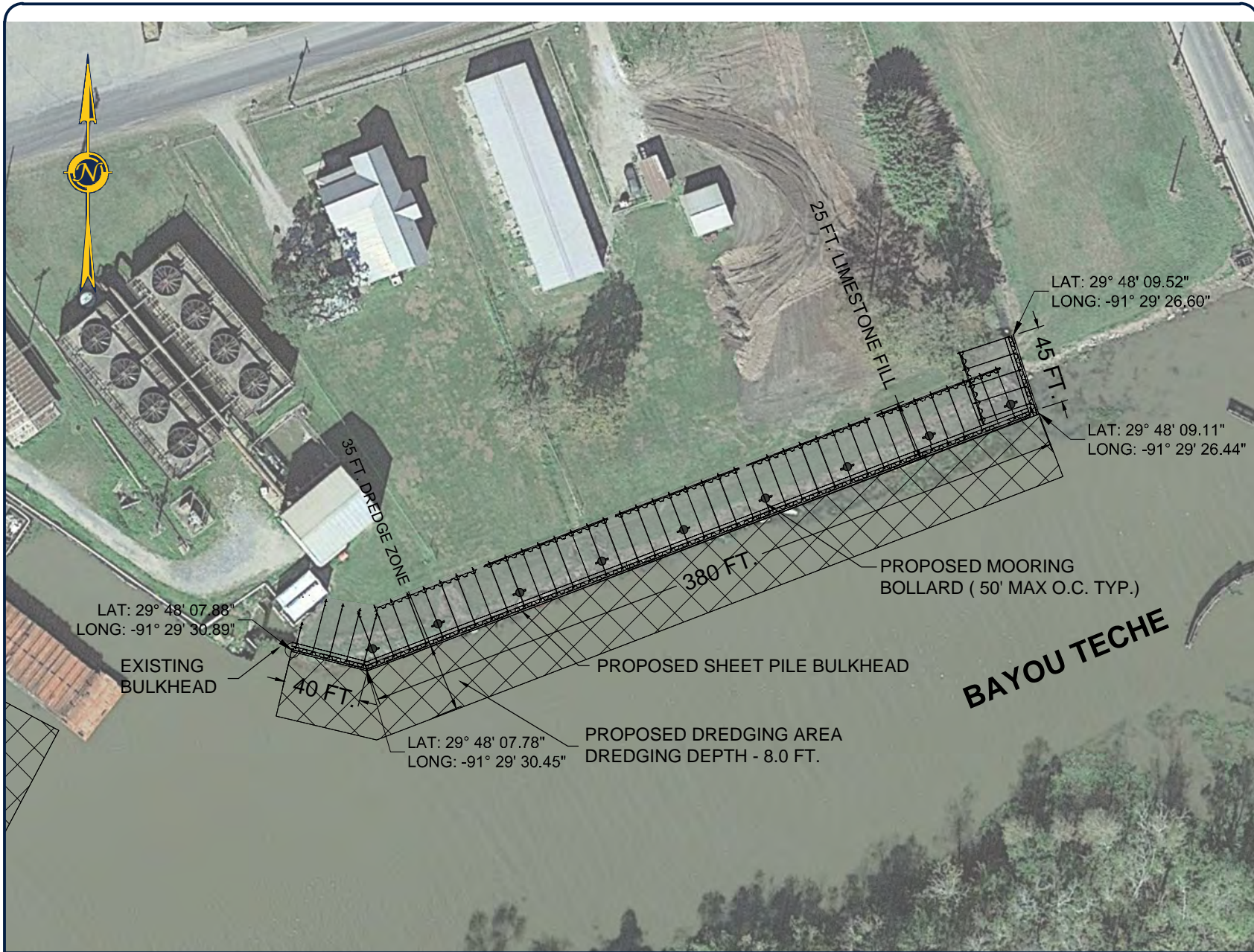
STERLING SUGAR LLC

BULKHEAD INSTALLATION PROJECT

**PLAN VIEW
WESTERN BULKHEAD**

Project number	39145-1371
Date	APRIL 2021
Designed by	SDP
Drawn by	SDP
Checked by	MM
Checked by	MM
Plot Date	May 12, 2022

03



NOTE: THE IMAGE ABOVE IS A GENERAL REPRESENTATION OF THE WORK AREA, ACTUAL FIELD CONDITIONS MAY DIFFER.



1 INCH = 75 FT



ENGINEERING LLC

Coastal Design & Infrastructure
197 Elysian Drive
Houma, LA 70363
O: (985) 219-1000 | F: (985) 475-7014

ENGINEERING • PLANNING • ENVIRONMENTAL CONSULTING

REVISIONS

No.	Description	Date

FOR PERMIT APPLICATION ONLY

ENGINEER'S NAME
LA LICENSE NO. 00000

STERLING SUGAR LLC

BULKHEAD INSTALLATION PROJECT

PLAN VIEW
EASTERN BULKHEAD

Project number	39145-1371
Date	APRIL 2021
Designed by	SDP
Drawn by	SDP
Checked by	MM
Checked by	MM
Plot Date	May 12, 2022

04

M:\Department_39\Client\STBU1 - Sterling Sugar, LLC\39130-1371_P015924\400_Excavation\460_Drawings\461_DWG3\Permit\CA0102_Plan_View.dwg



ENGINEERING LLC

Coastal Design & Infrastructure
 197 Elysian Drive
 Houma, LA 70363
 O: (985) 219-1000 | F: (985) 475-7014

ENGINEERING • PLANNING • ENVIRONMENTAL CONSULTING

REVISIONS

No.	Description	Date

FOR PERMIT APPLICATION ONLY

ENGINEER'S NAME
 LA LICENSE NO. 00000

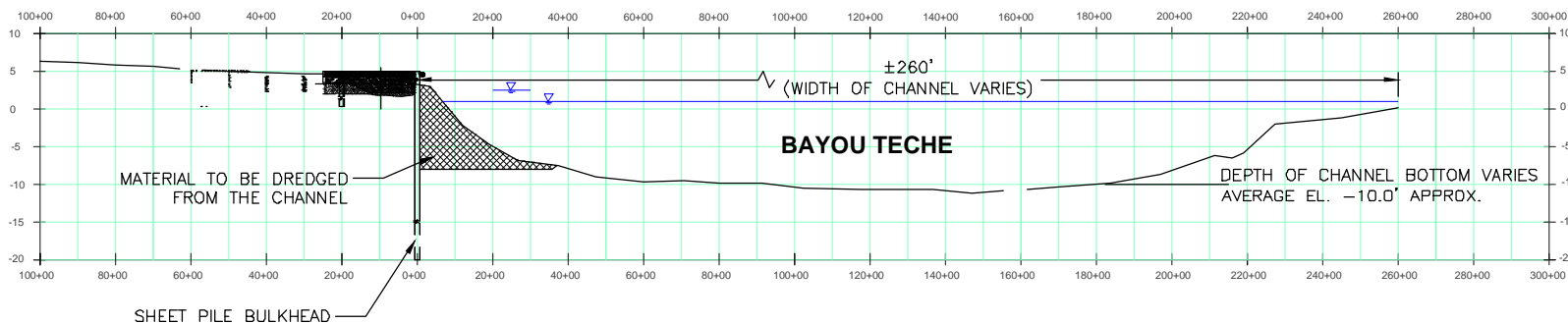
STERLING SUGAR LLC

BULKHEAD INSTALLATION PROJECT

SECTION

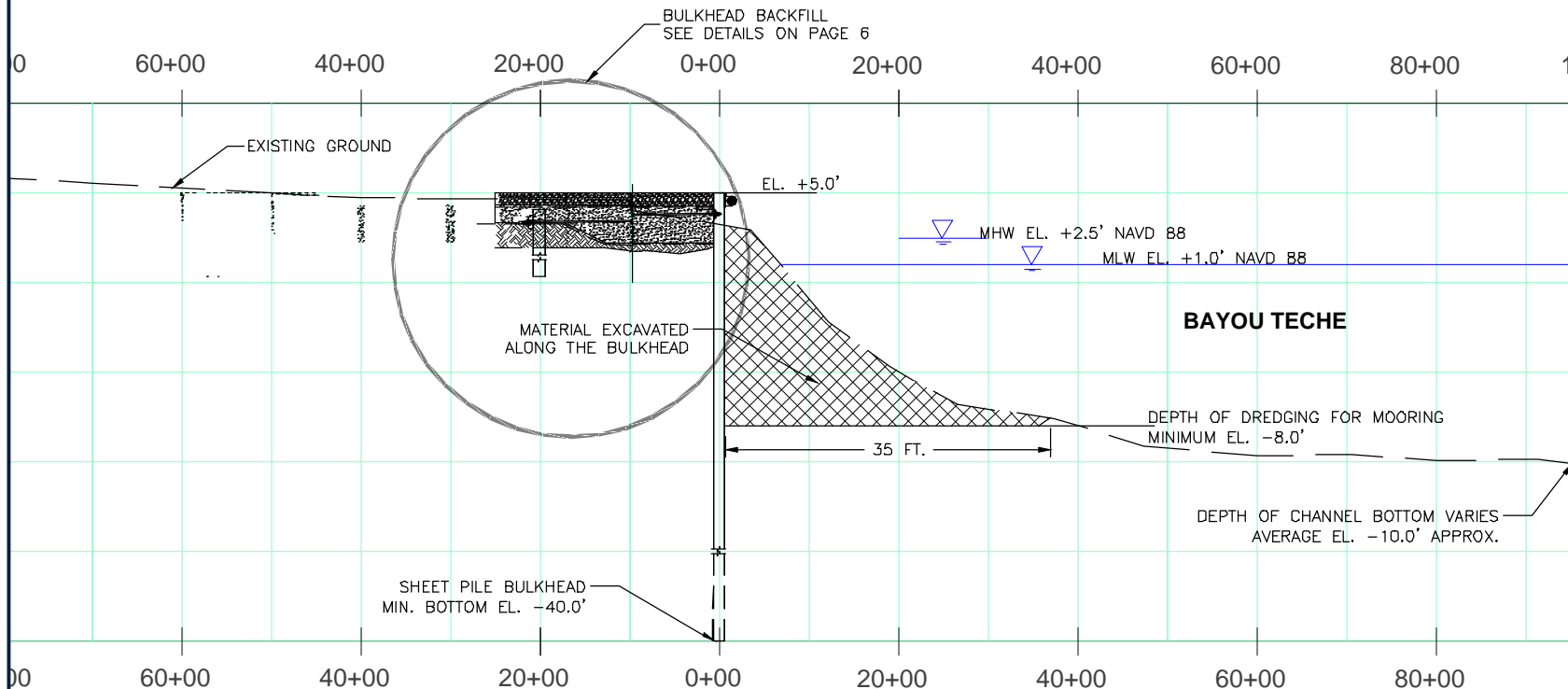
Project number	39145-1371
Date	APRIL 2021
Designed by	SDP
Drawn by	SDP
Checked by	MM
Checked by	MM
Plot Date	June 29, 2022

05



BAYOU TECHE CHANNEL CROSSSECTION

SCALE: 1 INCH = 50 FEET



DREDGING AND BULKHEAD CROSSSECTION

SCALE: 1 INCH = 20 FEET

LEGEND

- PROPOSED 18IN LIMESTONE LAYER (2,400 CY)
- PROPOSED 2FT COMPACTED RIVER SAND BACKFILL (6,400 CY)
- NATURAL GROUND
- MATERIAL DREDGED (12,700 CY.)

NOTE:

APPROXIMATELY 5,680 CY. OF MATERIAL WILL BE EXCAVATED AND HAULED TO AN OFFSITE LOCATION FROM THE AREA BEHIND THE BULKHEAD. THE MATERIAL WILL BE REPLACED BY APPROXIMATELY 8,800 CY OF COMPACTED SAND AND LIMESTONE.

MATERIAL EXCAVATED/ DREDGED WILL BE HAULED OFF SITE AND DISPOSED IN AN UPLAND AREA

M:\Department_39\Client\57511 - Sterling Sugar, LLC\39130-1371\060923\400 Execution\460 Drawings\461 DWG\Permit\DWG\05 Section.dwg



ENGINEERING LLC

Coastal Design & Infrastructure
 197 Elysian Drive
 Houma, LA 70363
 O: (985) 219-1000 | F: (985) 475-7014

ENGINEERING • PLANNING • ENVIRONMENTAL CONSULTING

REVISIONS

No.	Description	Date

FOR PERMIT APPLICATION ONLY

ENGINEER'S NAME
 LA. LICENSE NO. 00000

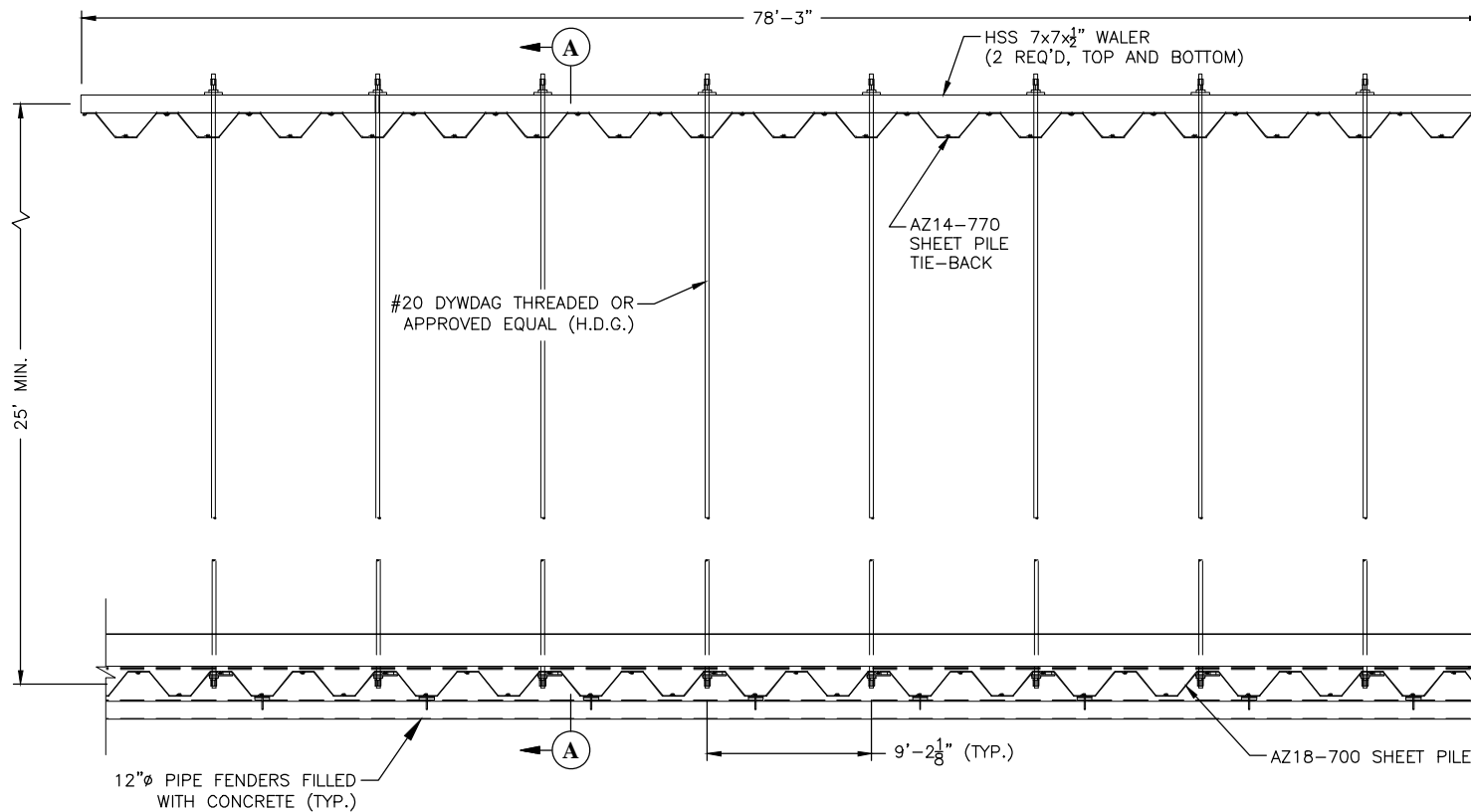
STERLING SUGAR LLC

BULKHEAD INSTALLATION PROJECT

SECTION

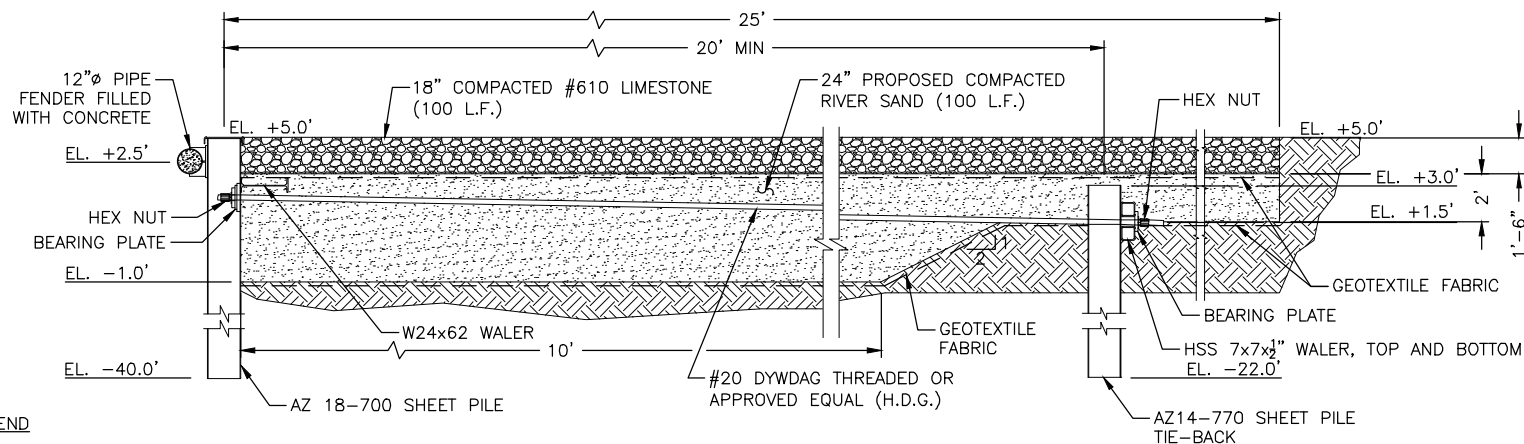
Project number	39145-1371
Date	APRIL 2021
Designed by	SDP
Drawn by	SDP
Checked by	MM
Checked by	MM
Plot Date	May 3, 2022

06



SHEET PILE ANCHOR LAYOUT PLAN

SCALE: NTS



A SECTION

SCALE: NTS

LEGEND

- PROPOSED 18IN LIMESTONE LAYER
- PROPOSED 2FT COMPACTED RIVER SAND BACKFILL
- NATURAL GROUND