



DEPARTMENT OF THE ARMY  
U.S. ARMY CORPS OF ENGINEERS, NEW ORLEANS DISTRICT  
7400 LEAKE AVE  
NEW ORLEANS, LA 70118-3651

February 14, 2022

Regulatory Division  
Central Evaluation Branch

Project Manager  
Dirreen Arnold  
(504) 862-2301  
Dirreen.S.Arnold@usace.army.mil

SUBJECT: MVN-2022-00182-CA

**PUBLIC NOTICE**

Interested parties are hereby notified that a permit application has been received by the New Orleans District of the US Army Corps of Engineers pursuant to: [X] Section 10 of the Rivers and Harbors Act of March 3, 1899 (30 Stat. 1151; 33 USC 403).

**PROPOSED BOAT SLIP, RIVERSCAPE WATERWAY  
LIVINGSTON PARISH**

**NAME OF APPLICANT:** AUSTIN SHELTON, 16670 Carthage Bluff Road, Springfield, Louisiana 70462.

**LOCATION OF WORK:** Riverscape Waterway, Lot 165-A Riverscape Drive, Springfield, Louisiana, (30.308611, -90.605694), in Livingston Parish, as shown on the enclosed drawings, within Hydrologic Unit Code 08070204, Lake Maurepas, Louisiana.

**CHARACTER OF WORK:** The applicant has requested Department of the Army authorization to install and maintain a 14-ft by 60-ft boat slip along the Riverscape Waterway, attached to an existing bulkhead, for private recreational purposes. The structure will extend approximately 14 feet channelward where the Riverscape Waterway's width is approximately 85 feet wide. No dredging or fill is required. Approximately 0.02 ac of Other Waters of the US will be impacted with the proposed activity. No special aquatic sites will be affected by this project and no mitigation is anticipated.

The comment period for the Department of the Army Permit will close **15 days** from the date of this public notice. Written comments, including suggestions for modifications or objections to the proposed work, stating reasons thereof, are being solicited from anyone having interest in this permit must be mailed so as to be received before or by the last day of the comment period. Letters concerning the Corps of Engineers permit application must reference the applicant's name and the Permit

Application Number, and be mailed to the Corps of Engineers at the address above, **ATTENTION: REGULATORY DIVISION, RGC, Dirreen Arnold**. Individuals or parties may request an extension of time in which to comment on the proposed work by writing or e-mailing the Corps of Engineers Project Manager listed above. Any request must be specific and substantively supportive of the requested extension, and received by this office prior to the end of the initial comment period. The Branch Chief will review the request and the requestor will be promptly notified of the decision to grant or deny the request. If granted, the time extension will be continuous to the initial comment period and, inclusive of the initial comment period, will not exceed a total of 30 calendar days.

### **Corps of Engineers Permit Criteria**

The decision whether to issue a permit will be based on an evaluation of the probable impacts, including cumulative impacts of the proposed activity on the public interest. That decision will reflect the national concern for both protection and utilization of important resources. The benefit which reasonably may be expected to accrue from the proposal must be balanced against its reasonably foreseeable detriments. All factors which may be relevant to the proposal will be considered including the cumulative effects thereof; among those are conservation, economics, aesthetics, general environmental concerns, wetlands, historic properties, fish and wildlife values, flood hazards, floodplain values, land use, navigation, shoreline erosion and accretion, recreation, water supply and conservation, water quality, energy needs, safety, food and fiber production, mineral needs, considerations of property ownership and, in general, the needs and welfare of the people.

The U.S. Army Corps of Engineers is soliciting comments from the public, federal, state, and local agencies and officials, Indian Tribes, and other interested parties in order to consider and evaluate the impacts of this proposed activity. Any comments received will be considered by the U.S. Army Corps of Engineers to determine whether to make, modify, condition, or deny a permit for this proposal. To make this decision, comments are used to assess impacts on endangered species, historic properties, water quality, general environmental effects, and other public interest factors listed above. Comments are used in the preparation of an Environmental Assessment and/or an Environmental Impact Statement pursuant to the National Environmental Policy Act. Comments are also used to determine the need for a public hearing and to determine the overall public interest of the proposed activity.

The New Orleans District is unaware of properties listed on the National Register of Historic Places near the proposed work. The possibility exists that the proposed work may damage or destroy presently unknown archeological, scientific, pre-historical, historical sites, or data. Issuance of this public notice solicits input from the State Archeologist and State Historic Preservation Officer regarding potential impacts to cultural resources.

The New Orleans District has determined that the proposed project is located within waters known to be occupied by the endangered West Indian Manatee (*Trichechus manatus*) and determined with the inclusion of the Standard Manatee Conditions for In-Water Activities the proposed activity is not likely to adversely affect the species based on the IPaC Project Code: 2022-0003936, dated February 4, 2022, utilizing the Louisiana DKey within the Information for Planning and Consultation (IPaC) system.

This notice initiates the Essential Fish Habitat (EFH) consultation requirements of the Magnuson-Stevens Fishery Conservation and Management Act. The applicant's proposal may result in the destruction or alteration of 0.02 acres of EFH utilized by various life stages of red drum and penaeid shrimp. Our initial determination is that the proposed action would not have a substantial adverse impact on EFH or federally managed fisheries in the Gulf of Mexico. Our final determination relative to project impacts and the need for mitigation measures is subject to review by and coordination with the National Marine Fisheries Service.

Any person may request, in writing, within the comment period specified in this notice, that a public hearing be held to consider this application. Requests for public hearings shall state, with particularity, the reasons for holding a public hearing.

The applicant has certified that the proposed activity described in the application complies with and will be conducted in a manner that is consistent with the Louisiana Coastal Resources Program. The Department of the Army permit will not be issued unless the applicant received approval or a waiver of the Coastal Use Permit by the Department of Natural Resources.

You are requested to communicate the information contained in this notice to any other parties whom you deem likely to have interest in the matter.

John M. Herman  
Chief, Central Evaluation Branch  
Regulatory Division

Place Name

Riverscape Drive Springfield Louisiana

Find

Add the country code for better results. Ex: London, UK

Latitude

30.308589

Longitude

-90.605698

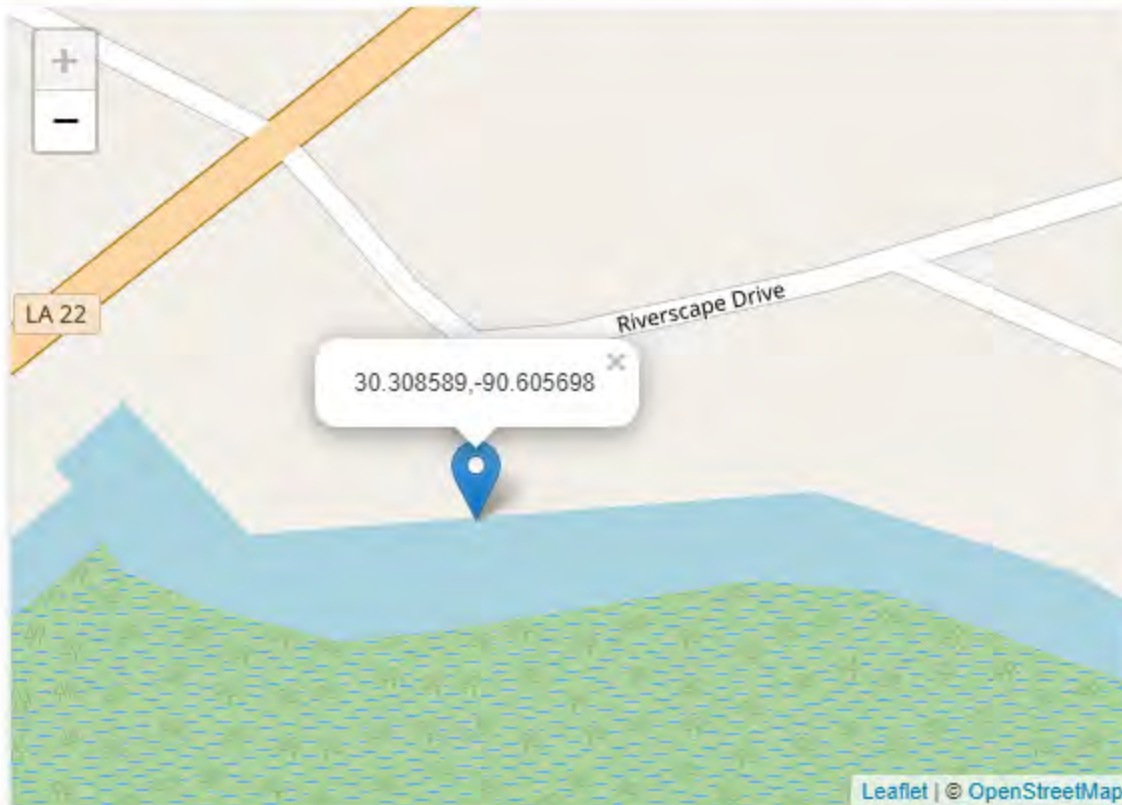


For better accuracy please type Name Address City State Zipcode.

Category : Plumbing

SHOP NOW

**GRAINGER** | Supplies and Solutions for Every Industry®



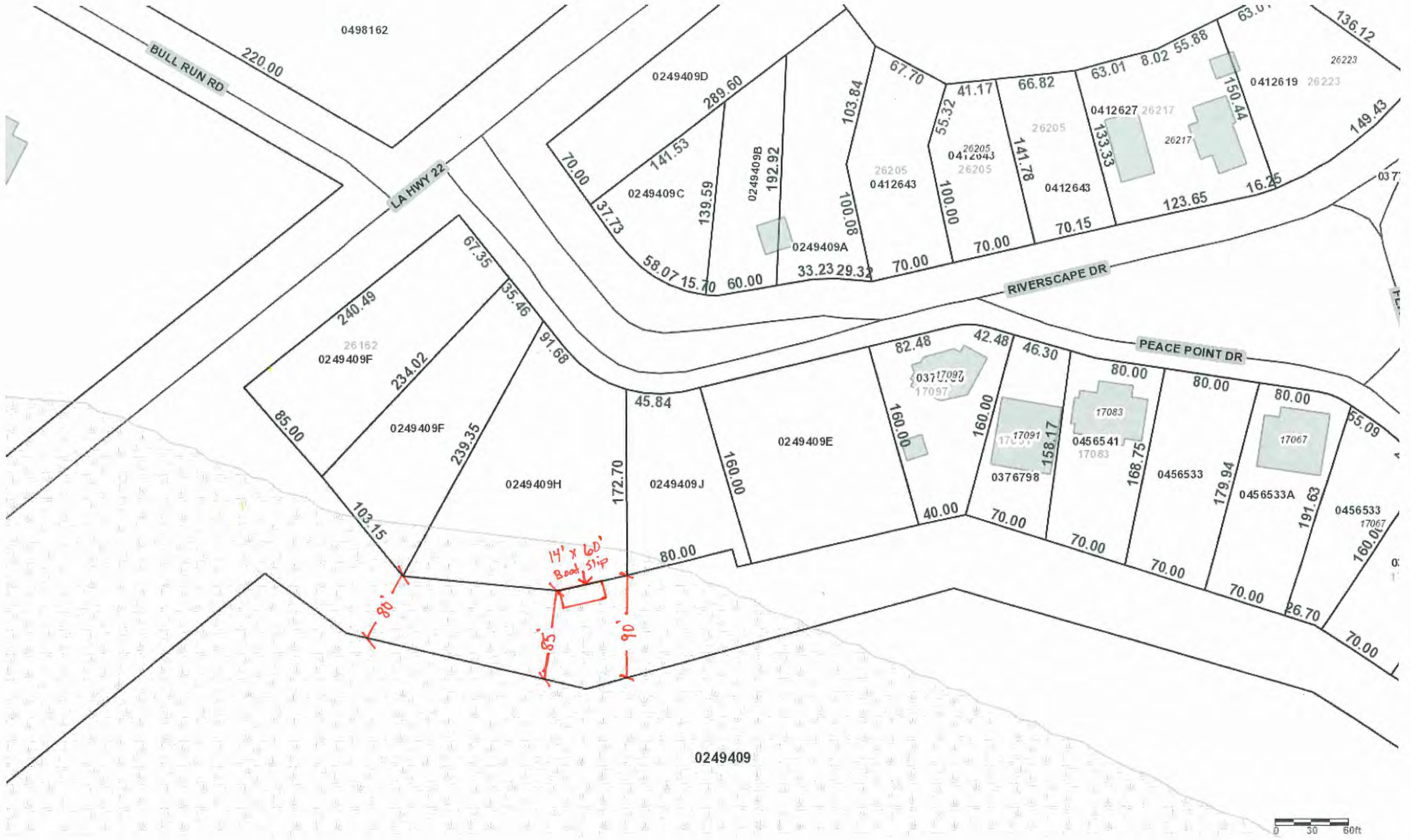
Lat Long

(30.308589, -90.605698)

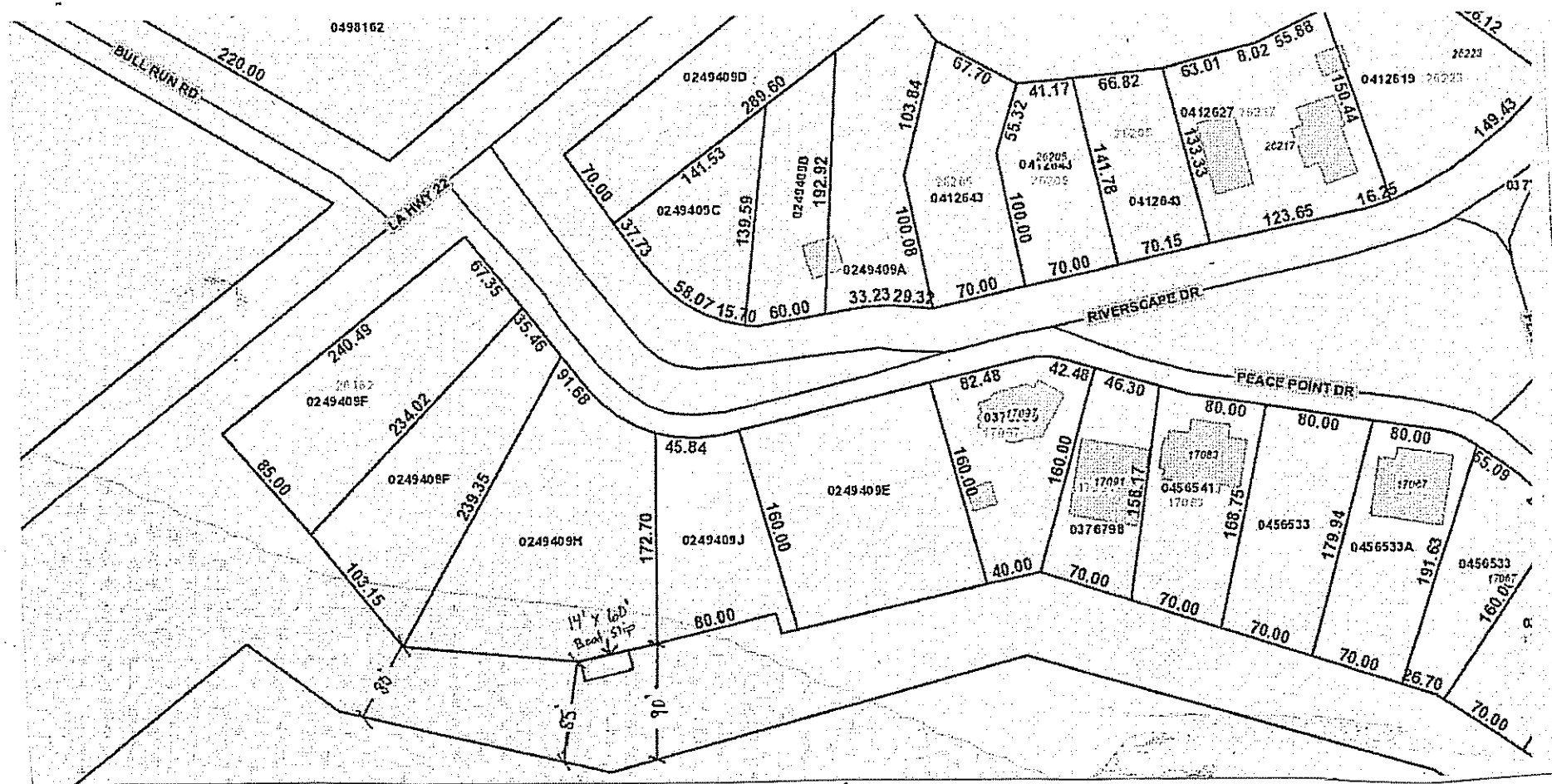
GPS Coordinates

30° 18' 30.9204" N  
90° 36' 20.5128" W

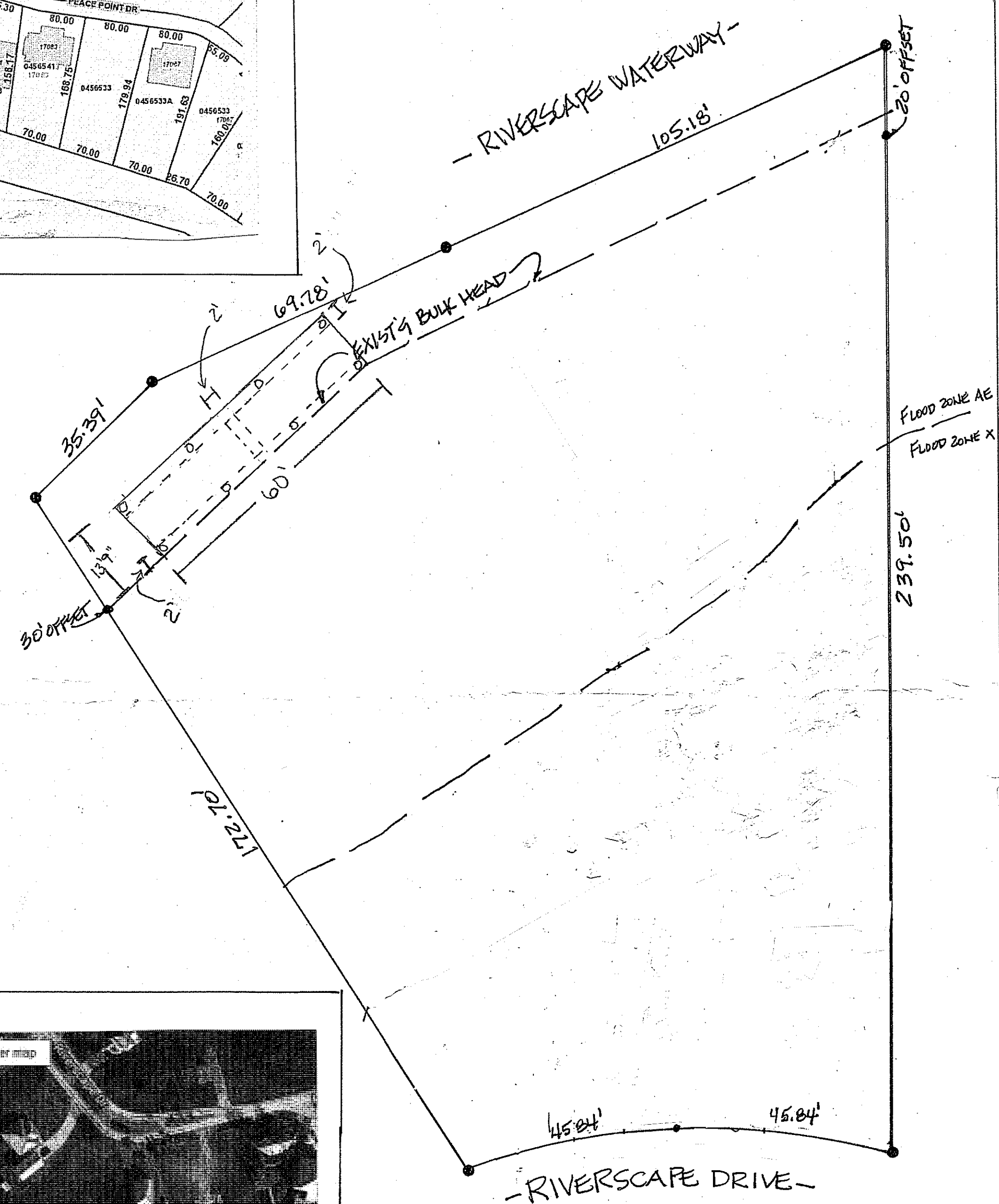






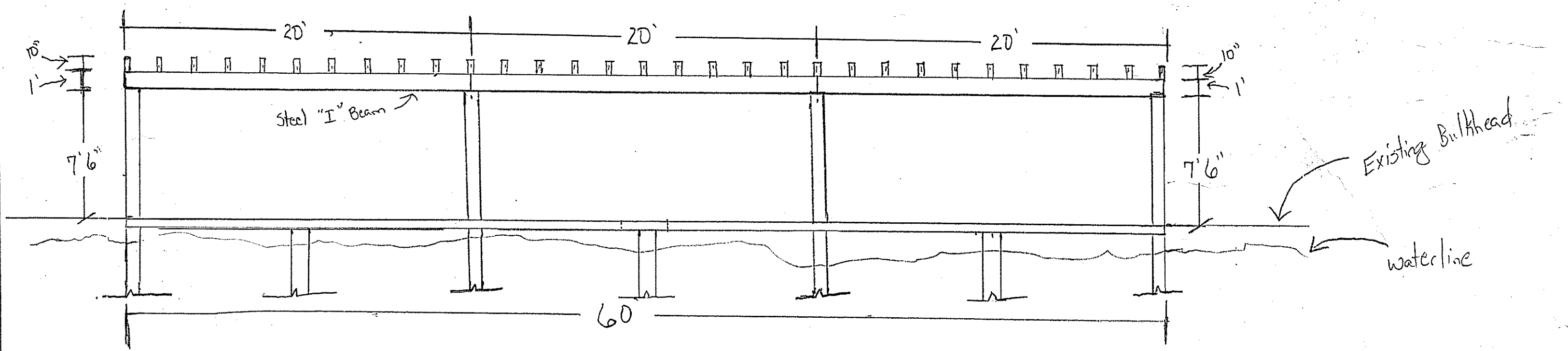


Plat

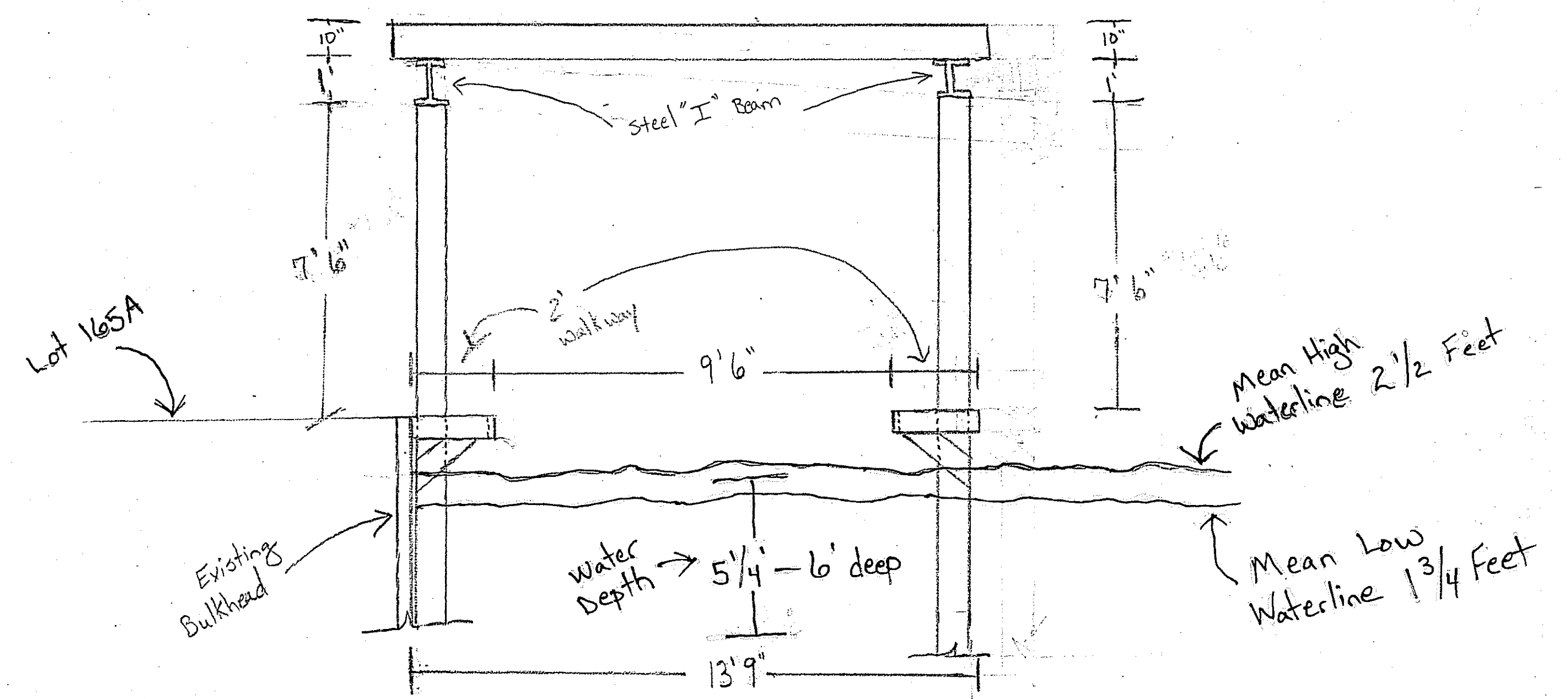


LOT# 165-A  
 RIVERSCAPE  
 PLOT PLAN SCALE: 1"=20'  
 FOR  
 AUSTIN & EMILY SHELTON

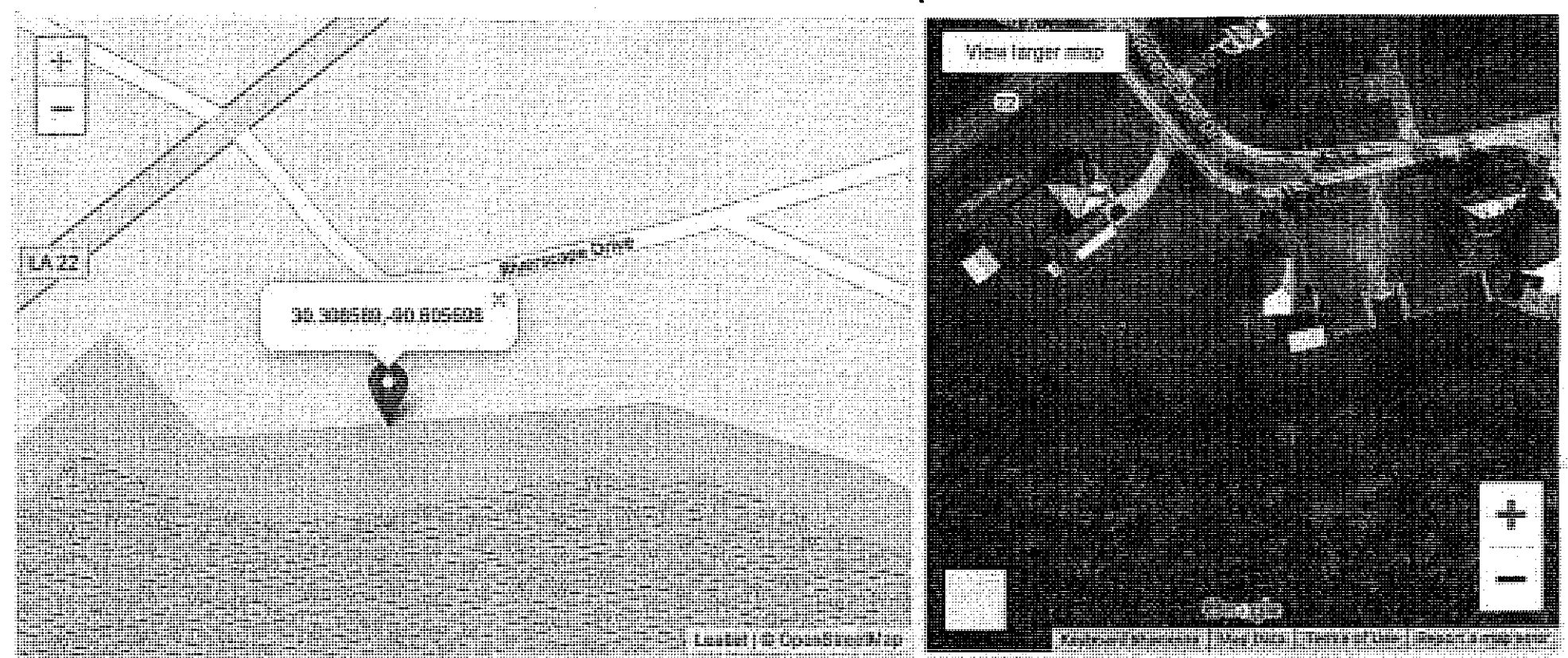
Riverscape at Clito  
 Springfield, Louisiana 70462



Scale 3/16" = 1'



Scale 3/8" = 1'



Lat Long	GPS Coordinates
(30.308589, -90.605698)	30° 18' 30.9204" N 90° 36' 20.5128" W

Coordinates