

JOINT PUBLIC NOTICE

December 13, 2021

United States Army
Corps of Engineers
New Orleans District
Regulatory Division (REG-E)
7400 Leake Avenue
New Orleans, Louisiana 70118
408# - 2021-0025

State of Louisiana
Department of Environmental
Quality
Attn: Water Quality Certifications
Post Office Box 4313
Baton Rouge, Louisiana 70821-4313

Permit Application Number:
MVN 2014-01518-2 EMM
Project Manager:
Scott Kennedy
(504) 862-2259
scott.n.kennedy@usace.army.mil

Project Manager:
Elizabeth Hill
(225) 219-3225
WQC Application Number
WQC 211207-03

Interested parties are hereby notified that a permit application has been received by the New Orleans District of the U.S. Army Corps of Engineers pursuant to: [X] Section 10 of the Rivers and Harbors Act of March 3, 1899 (30 Stat. 1151; 33 USC 403); and/or [X] Section 404 of the Clean Water Act (86 Stat. 816; 33 USC 1344).

Application has also been made to the Louisiana Department of Environmental Quality, Water Quality Certifications, for a Water Quality Certification (WQC) in accordance with statutory authority contained in LRS 30:2074 A(3) and provisions of Section 401 of the Clean Water Act.

**CLEAR, GRADE, AND FILL FOR THE CONSTRUCTION OF A
SECURITY VESSEL SERVICE DOCK AT MILE 53.1 ALONG THE RIGHT DESCENDING BANK
OF THE MISSISSIPPI RIVER IN PLAQUEMINES PARISH**

NAME OF APPLICANT: Plaquemines Port Harbor & Terminal District, c/o Matrix PDM Engineering, 3510 North Causeway Boulevard, Suite 515, New Orleans, Louisiana 70112.

LOCATION OF WORK: Section 20, Township 17 South, Range 26 East, along the RDB of the Mississippi River at approximately mile marker 53.1 AHP, near Davant, Louisiana, in Plaquemines Parish, as shown on the attached drawings.

Hydrologic Unit Code: 08090100: Lower Mississippi River – New Orleans
Latitude: 29.601664 Longitude: -89.857958

CHARACTER OF WORK: Clear, grade, and fill for the construction of a security vessel service dock, including mooring dolphins, a 120'x30' floating barge, an approximately 200' long pile supported access walkway, and appurtenant structures near Davant, Louisiana. The site is approximately 9.83 acres and approximately 0.05 acres of temporary impacts to jurisdictional wetlands are proposed.

The comment period for the Department of the Army Permit and the Louisiana Department of Environmental Quality WQC will close **30 days** from the date of this public notice. Written comments, including suggestions for modifications or objections to the proposed work, stating reasons thereof, are being solicited from anyone having interest in this permit and must be mailed so as to be received before or by the last day of the comment period. Letters concerning the Corps of Engineers permit application must reference the applicant's name and the Permit Application Number, and be mailed to the Corps of Engineers at the address above, **ATTENTION: REGULATORY DIVISION**. Similar letters concerning the Water Quality Certification must reference the applicant's name and the WQC Application number and be mailed to the Louisiana Department of Environmental Quality at the address above.

The application for this proposed project is on file with the Louisiana Department of Environmental Quality and may be examined weekdays between 8:00 a.m. and 4:30 p.m. Copies may be obtained upon payment of costs of reproduction.

Corps of Engineers Permit Criteria

The decision whether to issue a permit will be based on an evaluation of the probable impacts, including cumulative impacts of the proposed activity on the public interest. That decision will reflect the national concern for both protection and utilization of important resources. The benefit which reasonably may be expected to accrue from the proposal must be balanced against its reasonably foreseeable detriments. All factors which may be relevant to the proposal will be considered including the cumulative effects thereof; among those are conservation, economics, aesthetics, general environmental concerns, wetlands, historic properties, fish and wildlife values, flood hazards, floodplain values, land use, navigation, shoreline erosion and accretion, recreation, water supply and conservation, water quality, energy needs, safety, food and fiber production, mineral needs, considerations of property ownership and, in general, the needs and welfare of the people.

This request will also be reviewed pursuant to Section 408 and USACE Engineering Circular (EC) 1165-2-220, which provides policy and procedural guidance for processing request to alter USACE civil works projects. The decision whether to grant permission for the requested alteration will be based on several factors. The benefits that reasonably may be expected to accrue from the proposal will be balanced against its reasonably foreseeable detriments. Review of the requests for modification will be evaluated by a USACE technical review team considering the following factors:

- 1) Potential to Impair the Usefulness of the Project. Proposed alterations will be reviewed to determine whether the alteration would limit the ability of the USACE project to function as authorized, or would compromise or change any authorized project conditions, purposes or outputs. If USACE determines that the usefulness of the authorized project would be impaired, the request will be denied.

- 2) Potential to be Injurious to the Public Interest. Proposed alterations will be reviewed to determine the probable impacts, including cumulative impacts, on the public interest. Factors that may be relevant to the public interest depend upon the type of USACE project being altered and may include, but are not limited to, such things as conservation, economic development, historic properties, cultural resources, environmental impacts, water supply, water quality, flood hazards, floodplains, residual risk, induced damages, navigation, shore erosion or accretion, and recreation. This evaluation will consider information received from the interested parties, including tribes, agencies, and the public. The decision whether to approve an alteration will be determined by the consideration of whether benefits are commensurate with risks. If the potential detriments are found to outweigh the potential benefits, then it may be determined that the proposed alteration is injurious to the public interest.

The U.S. Army Corps of Engineers is soliciting comments from the public, federal, state, and local agencies and officials, Indian Tribes, and other interested parties in order to consider and evaluate the impacts of this proposed activity. Any comments received will be considered by the U.S. Army Corps of Engineers to determine whether to make, modify, condition, or deny a permit for this proposal. To make this decision, comments are used to assess impacts on endangered species, historic properties, water quality, general environmental effects, and other public interest factors listed above. Comments are used in the preparation of an Environmental Assessment and/or an Environmental Impact Statement pursuant to the National Environmental Policy Act. Comments are also used to determine the need for a public hearing and to determine the overall public interest of the proposed activity.

The New Orleans District is unaware of properties listed on the National Register of Historic Places near the proposed work. The possibility exists that the proposed work may damage or destroy presently unknown archeological, scientific, prehistorical, historical sites, or data. Issuance of this public notice solicits input from the State Archeologist and State Historic Preservation Officer regarding potential impacts to cultural resources.

The New Orleans District has determined that the project footprint is located in an area that may be known to be utilized by the West Indian Manatee (*Trichechus manatus*) and Pallid Sturgeon (*Scaphirhynchus albus*). It has been determined that the proposed activities are not likely to adversely affect the endangered West Indian Manatee or Pallid Sturgeon based on the Information & Planning Consultation for Endangered Species in Louisiana (IPaC), dated January 27, 2020 between the U.S. Army Corps of Engineers, New Orleans and U.S. Fish and Wildlife Service, Ecological Services Office.

Our initial finding is that the proposed work is Not Likely to Adversely Affect any species listed as endangered by the U.S. Departments of Commerce, nor affect any habitat designated as critical to the survival and recovery of such species.

This notice initiates the Essential Fish Habitat (EFH) consultation requirements of the Magnuson-Stevens Fishery Conservation and Management Act. The applicant's proposal is not expected to result in the destruction or alteration of EFH utilized by various life stages of red drum and penaeid shrimp. Our initial determination is that the proposed action would have no adverse impact on EFH or federally managed fisheries in the Gulf of Mexico. Our final determination relative to project impacts and the need for mitigation measures is subject to review by and coordination with the National Marine Fisheries Service.

If the proposed work involves deposits of dredged or fill material into navigable waters, the evaluation of the probable impacts will include the application of guidelines established by the Administrator of the Environmental Protection Agency. Also, a certification that the proposed activity will not violate applicable water quality standards will be required from the Department of Environmental Quality, Water Quality Certifications, before a permit is issued.

Any person may request, in writing, within the comment period specified in this notice, that a public hearing be held to consider this application. Requests for public hearings shall state, with particularity, the reasons for holding a public hearing.

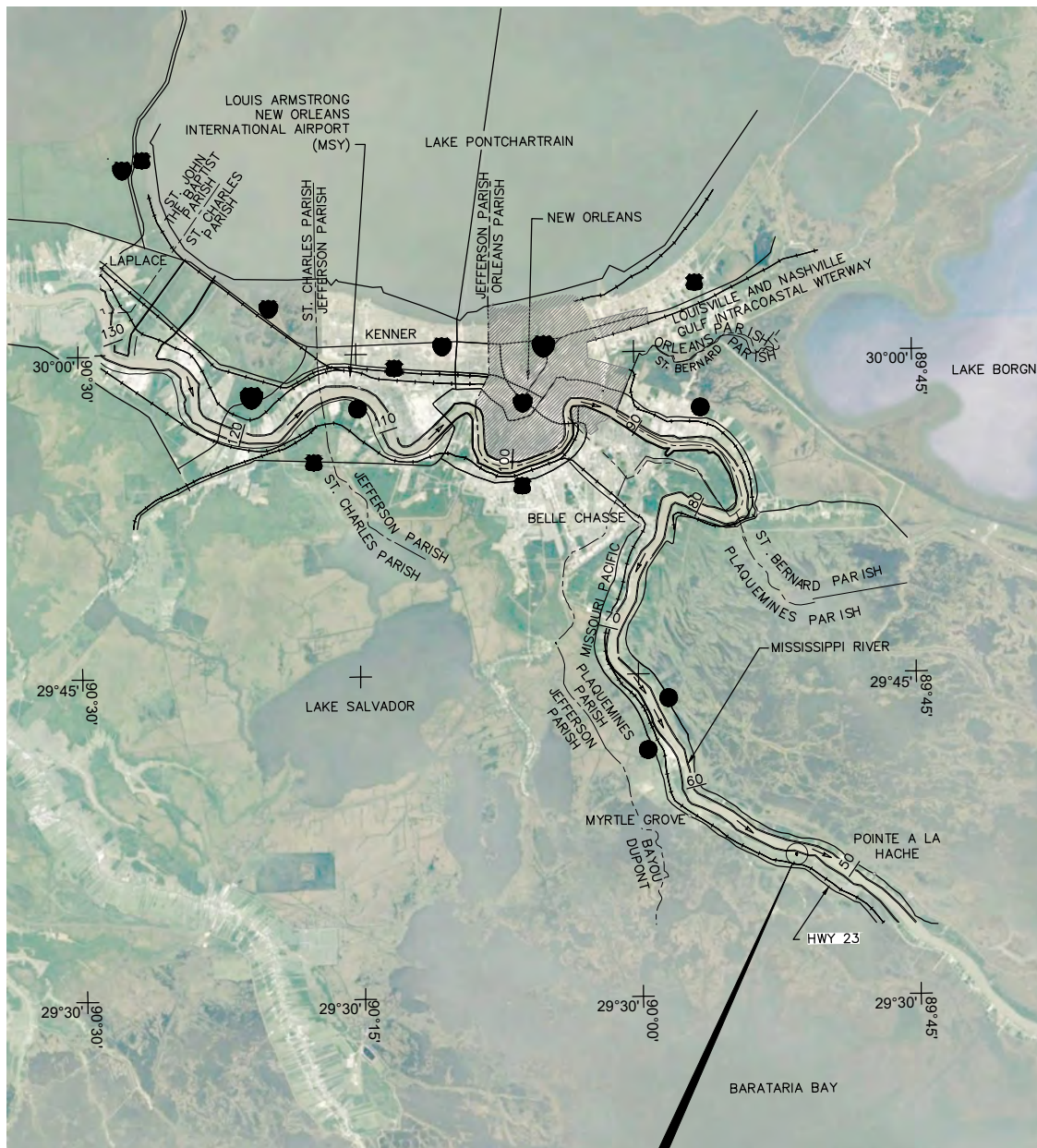
The applicant has certified that the proposed activity described in the application complies with and will be conducted in a manner that is consistent with the Louisiana Coastal Resources Program. The Department of the Army permit will not be issued unless the applicant received approval or a waiver of the Coastal Use Permit by the Department of Natural Resources.

-5-

You are requested to communicate the information contained in this notice to any other parties whom you deem likely to have interest in the matter.

Michael V. Farabee
Chief, Eastern Evaluation Branch

Enclosure

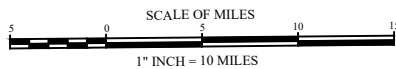


PROJECT LOCATION
 APPROX. RIVER MILE 53
 LAT = 29° 36' 05.99" N
 LONG = 89° 51' 28.65" W

VICINITY MAP

CERTIFICATION:

THIS DOCUMENT IS RELEASED FOR PERMITTING PURPOSES ONLY UNDER THE AUTHORITY OF WILLIAM GOHRES P.E. 36311 ON 06-11-2021



DRAWN	DATE
AML	06/11/21
CHECKED	DATE
WRG	06/11/21
APPROVED	DATE
WRG	06/11/21

SCALE 1"=10 MILES

PROJ NO 54091235

DRAWING NO

VM0001

REV

A

PLAQUEMINES PORT
 HARBOR AND TERMINAL DISTRICT
 SECURITY VESSEL SERVICE DOCK
 PLAQUEMINES PARISH, LOUISIANA

VICINITY MAP

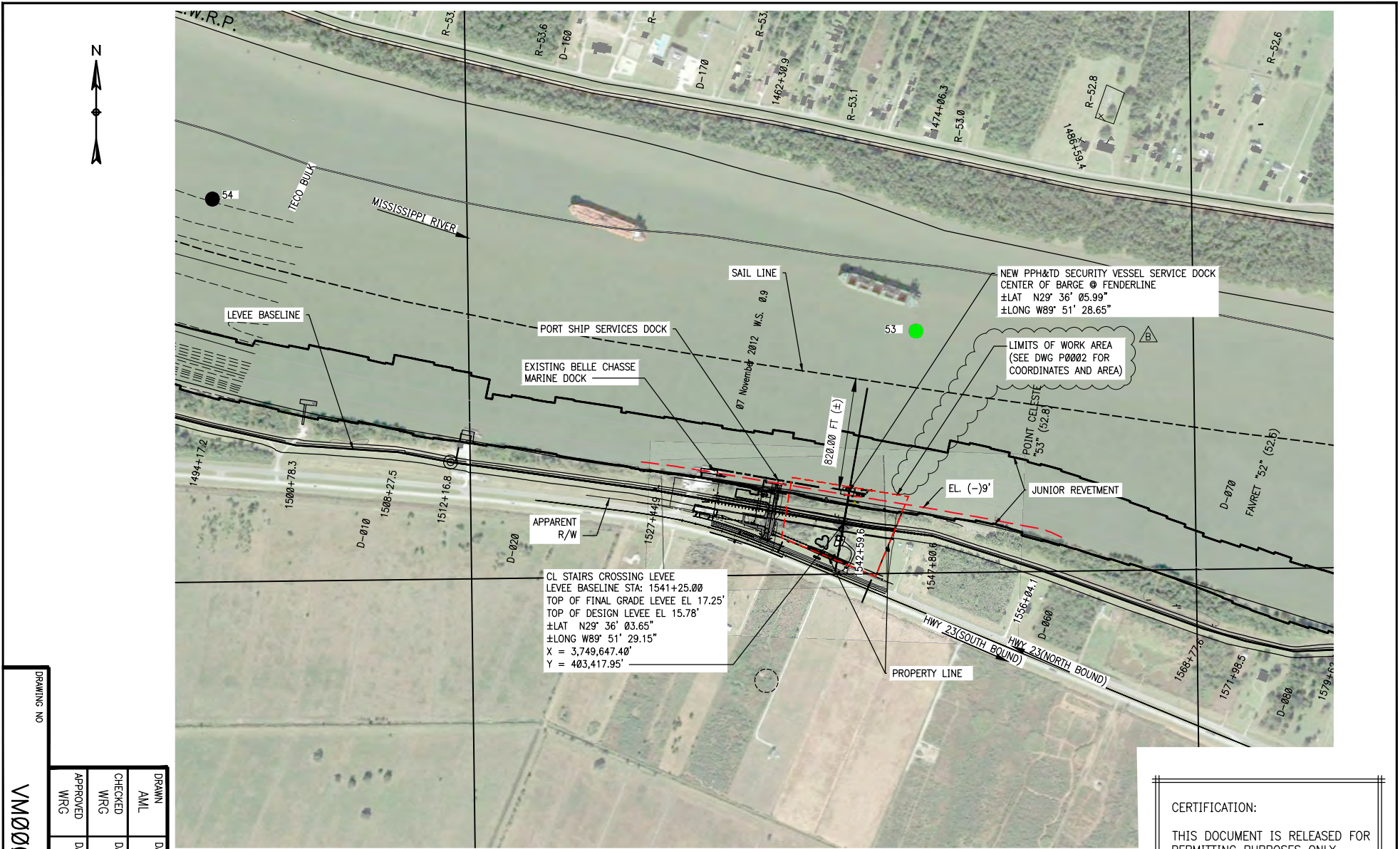
CONFIDENTIALITY
 STATEMENT

THIS DOCUMENT AND THE DATA AND INFORMATION CONTAINED HEREIN ARE THE CONFIDENTIAL AND PROPRIETARY PROPERTY OF MATRIX ENGINEERING, INC. AND SHALL BE USED ONLY FOR THE INTENDED PURPOSE AND PROJECT. IT MAY NOT BE REPRODUCED, COPIED, OR DISSEMINATED IN ANY MANNER WITHOUT THE WRITTEN PERMISSION OF MATRIX ENGINEERING, INC.'S EXPRESS.

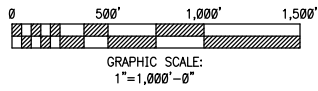
**MATRIX PDM
 ENGINEERING**



REV	DESCRIPTION	DATE	CHK'D	APP'D
A	ISSUED FOR PERMIT	06/11/21	WRG	WRG



ENLARGED VICINITY MAP



CERTIFICATION:
 THIS DOCUMENT IS RELEASED FOR PERMITTING PURPOSES ONLY UNDER THE AUTHORITY OF WILLIAM GOHRES P.E. 36311 ON 07-22-2021

DRAWING NO
VM0002
 REV
B

DRAWN	AML	DATE
CHECKED	WRG	DATE
APPROVED	WRG	DATE
		07/22/21

SCALE	PROJ NO	DATE	CHK'D	APP'D	
1" = 1,000' - 0"	54091235	07/22/21	WRG	WRG	
		06/11/21	WRG	WRG	
REV	DESCRIPTION	BY	DATE	CHK'D	APP'D
B	ISSUED FOR PERMIT	AML	07/22/21	WRG	WRG
A	ISSUED FOR PERMIT	AML	06/11/21	WRG	WRG

PLAQUEMINES PORT
HARBOR AND TERMINAL DISTRICT
SECURITY VESSEL SERVICE DOCK
PLAQUEMINES PARISH, LOUISIANA

ENLARGED VICINITY MAP



MATRIX PDM
ENGINEERING

CONFIDENTIALITY STATEMENT
 THIS DOCUMENT AND THE WORKS AND/OR INFORMATION CONTAINED THEREIN ARE THE CONFIDENTIAL AND PROPRIETARY PROPERTY OF MATRIX PDM ENGINEERING, INC. AND SHALL BE USED ONLY FOR THE INTENDED PURPOSE AND PROJECT. IT MAY NOT BE COPIED IN WHOLE OR IN PART, PARTS MAY NOT BE FABRICATED FROM THE DOCUMENT, AND THE INFORMATION THEREIN MAY NOT BE DIVULGED WITHOUT MATRIX PDM ENGINEERING, INC.'S EXPRESS, WRITTEN PERMISSION.

DRAWING LIST

VM0001	VICINITY MAP
VM0002	ENLARGED VICINITY MAP
P0001	DRAWING LIST AND NOTES
P0002	OVERALL SITE PLAN
P0003	PLAN & PROFILE
P0004	STAIRS - PLAN, ELEVATION, DETAILS
P0005	ACCESS PIER - PLAN, ELEVATION, DETAILS
P0006	CONCRETE ABUTMENT AND GUIDE PILE - PLAN & ELEVATIONS
P0007	TRANSFORMER FOUNDATION - PLAN AND ELEVATION

NOTES:

- AS-BUILT DRAWINGS WILL BE SUBMITTED WITHIN 30 DAYS OF COMPLETION OF THIS PROJECT TO THE LOUISIANA DEPARTMENT OF NATURAL RESOURCES, OFFICE OF CONSERVATION, PIPELINE DIVISION, P. O. BOX 94275, BATON ROUGE, LA 70804-9275, AND TO THE LOUISIANA DEPARTMENT OF NATURAL RESOURCES, COASTAL MANAGEMENT DIVISION, P. O. BOX 44487, BATON ROUGE, LA 70804-4487.
- MARINE STRUCTURES MUST ALSO BE MARKED/LIGHTED IN ACCORDANCE WITH U.S. COAST GUARD REGULATIONS.
- IN ORDER TO ENSURE THE SAFETY OF ALL PARTIES, THE PERMITTEE SHALL CONTACT THE LOUISIANA ONE CALL SYSTEM (1-800-272-3020) A MINIMUM OF 48 HOURS PRIOR TO THE COMMENCEMENT OF ANY EXCAVATION (DIGGING, DREDGING, JETTING, ETC.) OR DEMOLITION ACTIVITY.
- CONSTRUCTION OVER THE LEVEE AND CONSTRUCTION WITHIN 10 FEET OF THE LEVEE TOE IS LIMITED TO RIVER STAGES BELOW +11 FEET ON THE CARROLLTON GAGE.
- PILE DRIVING IS LIMITED TO RIVER STAGES BELOW +11 FEET ON THE CARROLLTON GAGE.
- RIP RAP SIZE IS TO BE $D_{50} = 15"$ (MAX) WITH A LAYER THICKNESS OF 24"(MIN.) TO 30" (MAX.)
- LEVEE FILL (TEMPORARY OR PERMANENT) DEFINED AS ANY MATERIAL PLACED WITHIN THE THEORETICAL LEVEE SECTION OR WITHIN 10 FEET OF THE LEVEE TOES MUST MEET THE FOLLOWING CRITERIA. FILL MUST HAVE AN ORGANIC CONTENT OF NO GREATER THAN 9%, AS DETERMINED BY ASTM D2974, METHOD C. THE PLASTICITY INDEX OF THE NEW FILL MUST BE 10 OR MORE BY ATTERBERG LIMITS BY ASTM D4318, AND THAT THE MATERIAL IS CLASSIFIED AS EITHER A CH OR CL BY ASTM D2487, WITH LESS THAN 35% SAND RETAINED ON THE No. 200 SIEVE BY ASTM D1140.
- LEVEE FILL (TEMPORARY OR PERMANENT) IS TO BE ADDED IN 6-INCH LIFTS AND COMPACTED TO 90% OF THE MAXIMUM DRY DENSITY AS DETERMINED BY ASTM D698, STANDARD TEST METHODS FOR LABORATORY COMPACTION OF SOIL USING STANDARD EFFORT OR ASTM D1557, STANDARD TEST METHODS FOR LABORATORY COMPACTION CHARACTERISTIC OF SOIL USING MODIFIED EFFORT.

APPLICABLE STANDARDS

- U.S.A.C.E. STANDARD DRAWING H-8-29027
TYPICAL RIVER LEVEE'S SURFACE CROSSING
- U.S.A.C.E. STANDARD DRAWING H-18-45204
REPAIR PROCEDURES REQUIRED WHEN PENETRATING REVETMENTS WITH PILES, CAISSONS AND/OR PILE CLUSTERS.
- U.S.A.C.E. STANDARD DRAWING H-2-29027
PIPELINE CROSSING OVER LEVEES & FLOODWALLS SURFACE CROSSINGS TYP. FOR RIVER LEVEES.

CERTIFICATION:

THIS DOCUMENT IS RELEASED FOR PERMITTING PURPOSES ONLY UNDER THE AUTHORITY OF WILLIAM COHRES P.E. 36311 ON 06-11-2021

CONFIDENTIALITY STATEMENT
 THIS DOCUMENT AND ITS CONTENTS ARE UNCLASSIFIED INFORMATION AND PROPRIETARY PROPERTY OF MATRIX ENGINEERING, INC. AND SHALL BE USED ONLY FOR THE INTENDED PURPOSE AND PROJECT. IT MAY NOT BE REPRODUCED, COPIED, OR TRANSMITTED IN ANY FORM OR BY ANY MEANS, WITHOUT THE WRITTEN PERMISSION OF MATRIX ENGINEERING, INC.'S EXPRESS.



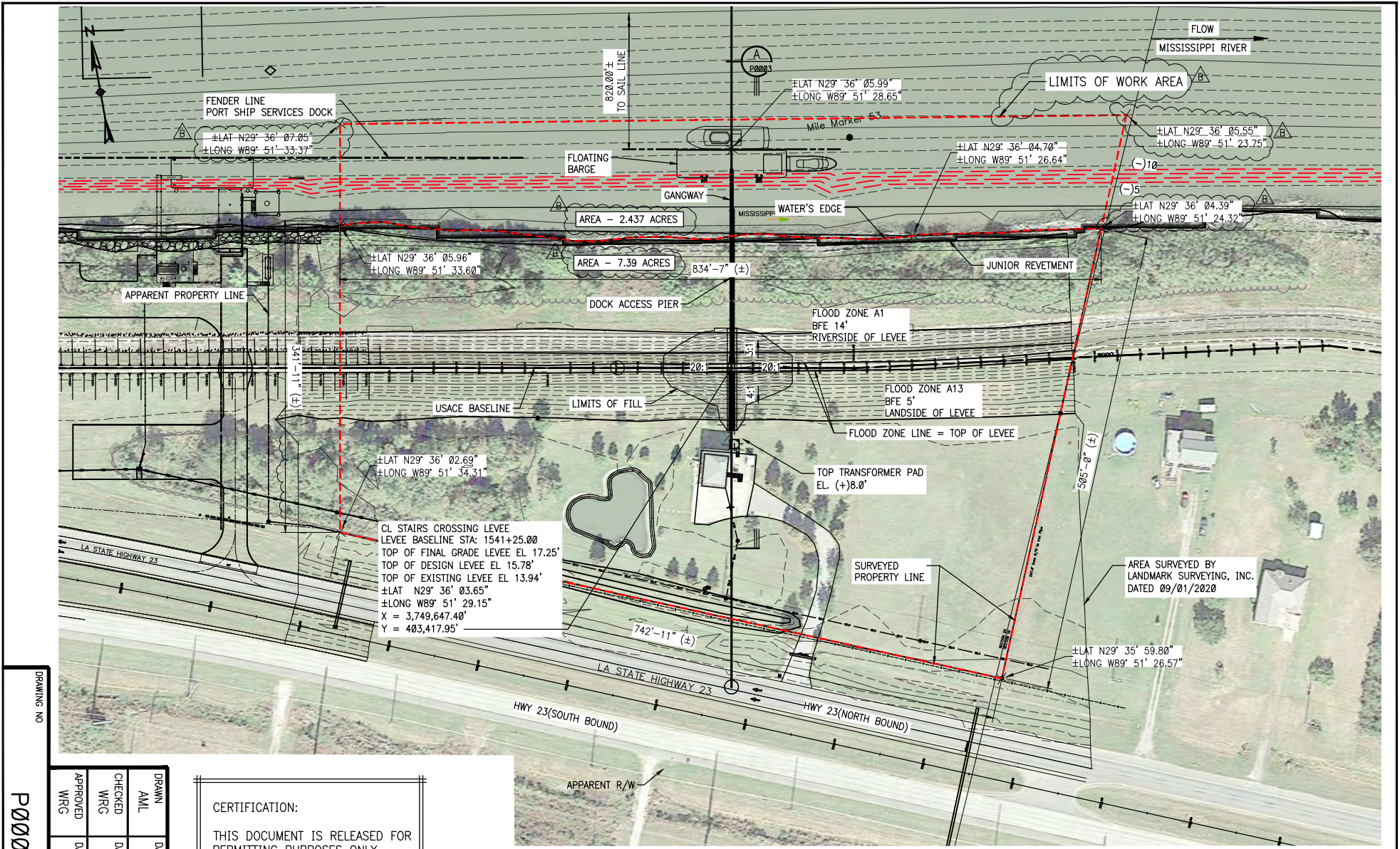
PLAQUEMINES PORT HARBOR AND TERMINAL DISTRICT SECURITY VESSEL SERVICE DOCK
 PLAQUEMINES PARISH, LOUISIANA
DRAWING LIST AND NOTES

REV	DESCRIPTION	DATE	CHKD	APP'D
A	ISSUED FOR PERMIT	06/11/21	WRG	WRG

SCALE	NTS
PROJ NO	54091235

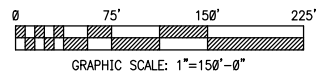
DRAWN	AML	DATE	06/11/21
CHECKED	WRG	DATE	06/11/21
APPROVED	WRG	DATE	06/11/21

DRAWING NO	P0001	REV	A
------------	-------	-----	---



CL STAIRS CROSSING LEVEE
 LEVEE BASELINE STA: 1541+25.00
 TOP OF FINAL GRADE LEVEE EL 17.25'
 TOP OF DESIGN LEVEE EL 15.78'
 TOP OF EXISTING LEVEE EL 13.94'
 ±LAT N29° 36' 03.65"
 ±LONG W89° 51' 29.15"
 X = 3,749,647.40'
 Y = 403,417.95'

CERTIFICATION:
 THIS DOCUMENT IS RELEASED FOR PERMITTING PURPOSES ONLY UNDER THE AUTHORITY OF WILLIAM GOHRES P.E. 36311 ON 07-22-2021



OVERALL SITE PLAN

DRAWING NO
P0002

DRAWN	DATE
AML	07/22/21

CHECKED	DATE
WRG	07/22/21

APPROVED	DATE
WFG	07/22/21

SCALE	PROJ NO	REV	DESCRIPTION	BY	DATE	CHK'D	APP'D
1"=100'-0"	54091235	B	ISSUED FOR PERMIT	AML	07/22/21	WRG	WRG
		A	ISSUED FOR PERMIT	AML	06/11/21	WRG	WRG
		REV					

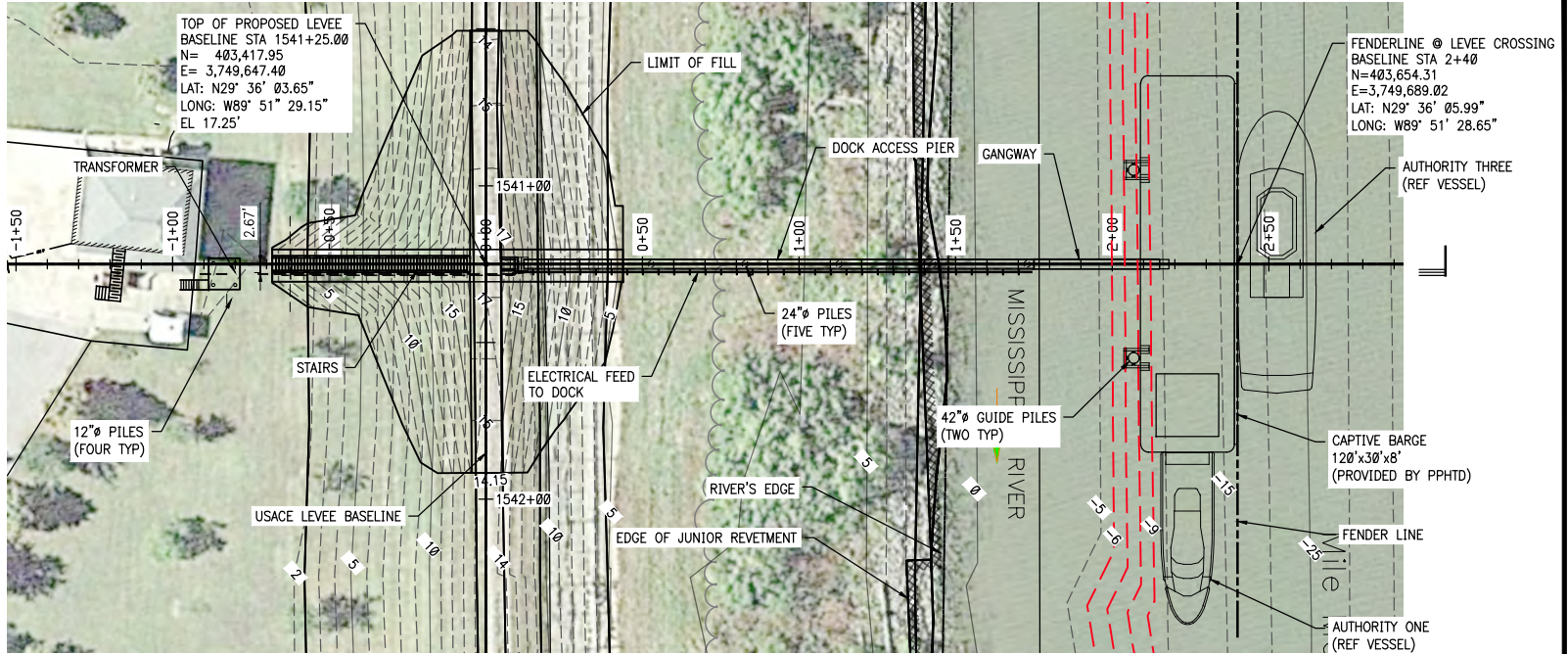
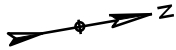
PLAQUEMINES PORT
 HARBOR AND TERMINAL DISTRICT
 SECURITY VESSEL SERVICE DOCK
 PLAQUEMINES PARISH, LOUISIANA

OVERALL SITE PLAN



MATRIX PDM
ENGINEERING

CONFIDENTIALITY STATEMENT
 THIS DOCUMENT AND THE WORKS AND/OR INFORMATION CONTAINED THEREIN ARE THE CONFIDENTIAL AND PROPRIETARY PROPERTY OF MATRIX PDM ENGINEERING, INC. AND SHALL BE USED ONLY FOR THE INTENDED PURPOSE AND PROJECT. IT MAY NOT BE COPIED IN WHOLE OR IN PART, PARTS MAY NOT BE FABRICATED FROM THE DOCUMENT, AND THE INFORMATION THEREIN MAY NOT BE DIVULGED WITHOUT MATRIX PDM ENGINEERING, INC.'S EXPRESS, WRITTEN PERMISSION.

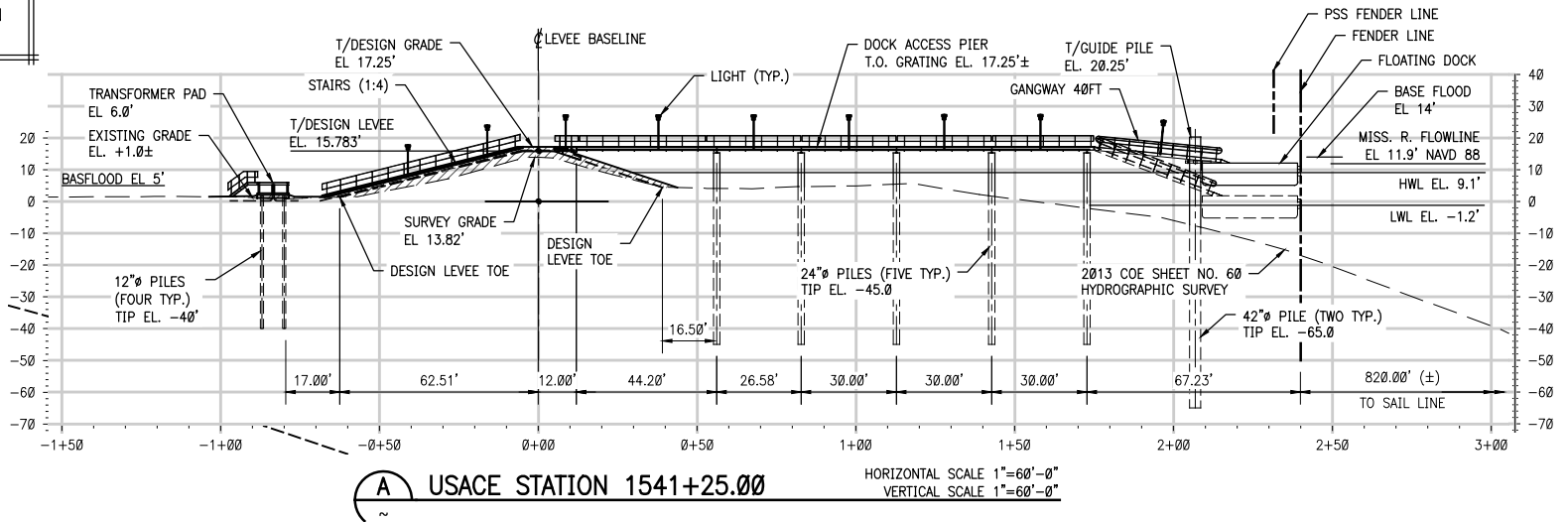


ENLARGED PLAN @ USACE STATION 1541+25.00

SCALE 1"=60'-0"

CERTIFICATION:

THIS DOCUMENT IS RELEASED FOR PERMITTING PURPOSES ONLY UNDER THE AUTHORITY OF WILLIAM GOHRES P.E. 36311 ON 06-11-2021



PROFILE @ USACE STATION 1541+25.00

HORIZONTAL SCALE 1"=60'-0"
VERTICAL SCALE 1"=60'-0"

DRAWING NO P0003	APPROVED	CHECKED	DRAWN
	WRG	WRG	AML
	DATE	DATE	DATE
	06/11/21	06/11/21	06/11/21

REV	SCALE	DESCRIPTION	BY	DATE	CHK'D	APP'D
A	AS NOTED	ISSUED FOR PERMIT	AML	06/11/21	WRG	WRG

**PLAQUEMINES PORT
HARBOR AND TERMINAL DISTRICT
SECURITY VESSEL SERVICE DOCK**
PLAQUEMINES PARISH, LOUISIANA

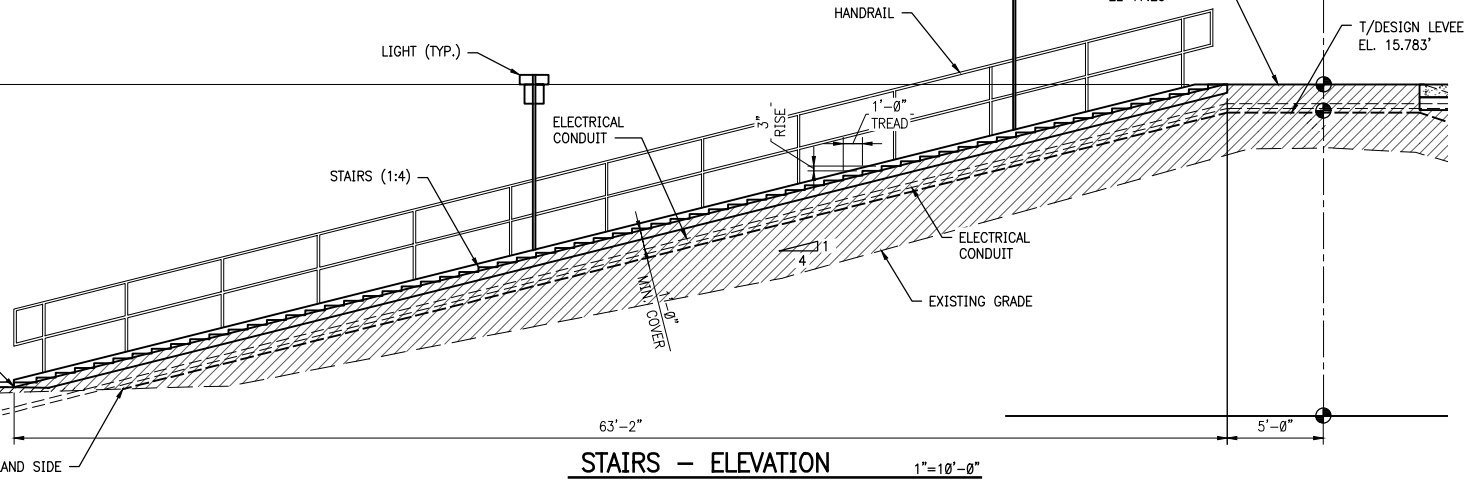
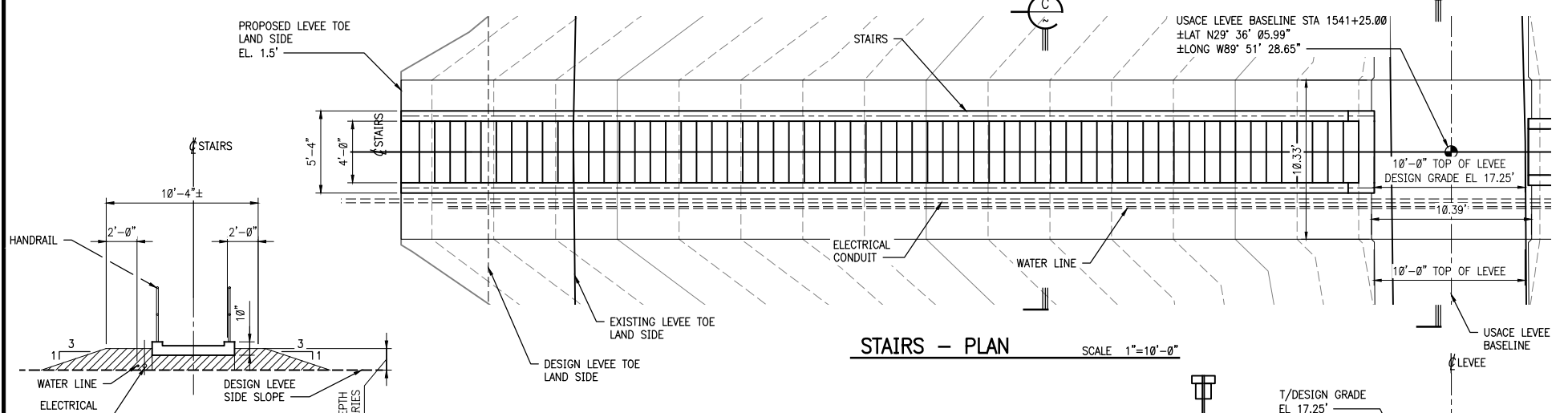
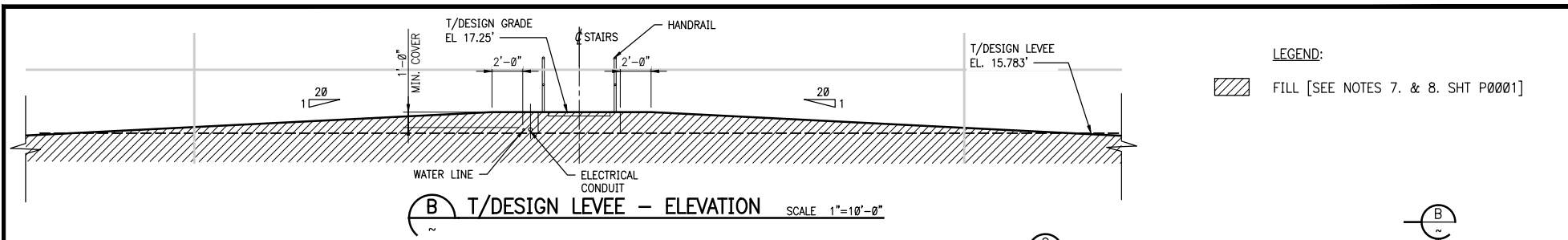
PLAN AND PROFILE



**MATRIX PDM
ENGINEERING**

**CONFIDENTIALITY
STATEMENT**

THIS DOCUMENT AND THE WORKS AND/OR INFORMATION CONTAINED THEREIN ARE THE CONFIDENTIAL AND PROPRIETARY PROPERTY OF MATRIX PDM ENGINEERING, INC. AND SHALL BE USED ONLY FOR THE INTENDED PURPOSE AND PROJECT. IT MAY NOT BE COPIED IN WHOLE OR IN PART, PARTS MAY NOT BE FABRICATED FROM THE DOCUMENT, AND THE INFORMATION THEREIN MAY NOT BE DIVULGED WITHOUT MATRIX PDM ENGINEERING, INC.'S EXPRESS, WRITTEN PERMISSION.



CERTIFICATION:
 THIS DOCUMENT IS RELEASED FOR PERMITTING PURPOSES ONLY UNDER THE AUTHORITY OF WILLIAM GOHRES P.E. 36311 ON 06-11-2021

DRAWN	CHECKED	APPROVED	DATE
AML	WRG	WRG	06/11/21

DATE	DESCRIPTION
06/11/21	ISSUED FOR PERMIT

PLAQUEMINES PORT
 HARBOR AND TERMINAL DISTRICT
 SECURITY VESSEL SERVICE DOCK
 PLAQUEMINES PARISH, LOUISIANA

STAIRS - PLAN, PROFILE, DETAILS



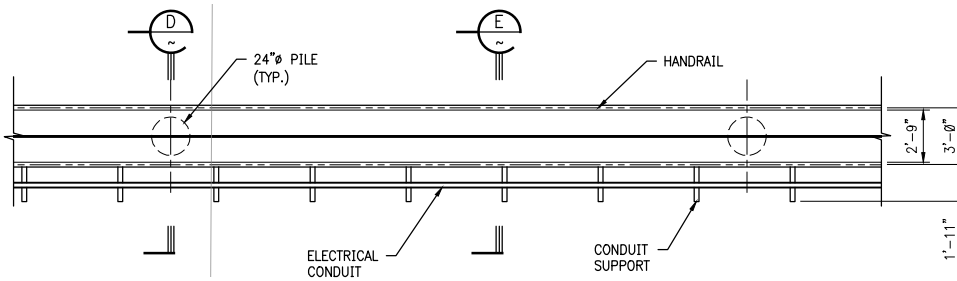
MATRIX PDM
ENGINEERING

CONFIDENTIALITY STATEMENT

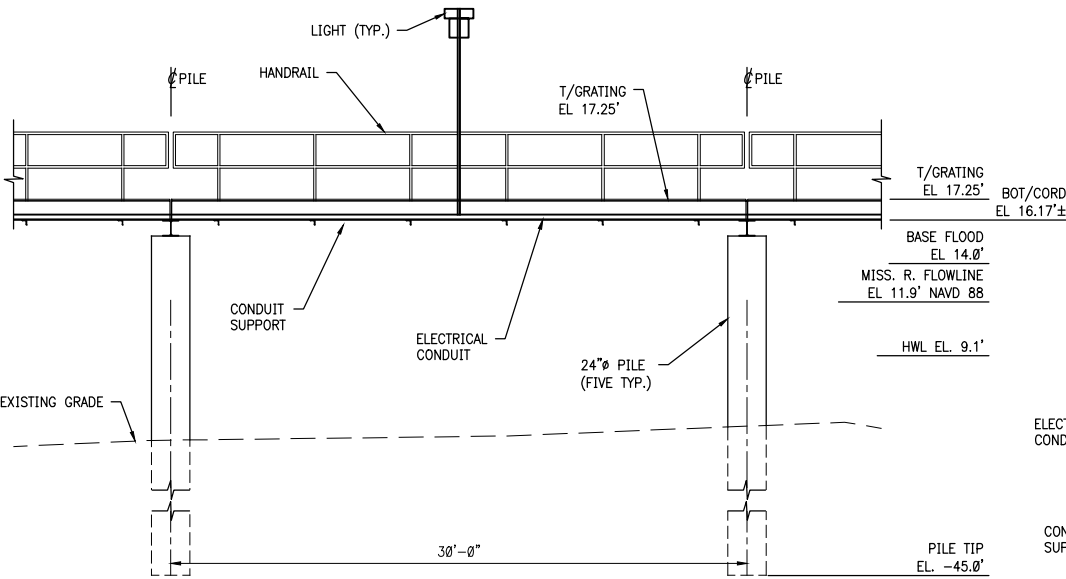
THIS DOCUMENT AND THE WORKS AND/OR INFORMATION CONTAINED THEREIN ARE THE CONFIDENTIAL AND PROPRIETARY PROPERTY OF MATRIX PDM ENGINEERING, INC. AND SHALL BE USED ONLY FOR THE INTENDED PURPOSE AND PROJECT. IT MAY NOT BE COPIED IN WHOLE OR IN PART, PARTS MAY NOT BE FABRICATED FROM THE DOCUMENT, AND THE INFORMATION THEREIN MAY NOT BE DIVULGED WITHOUT MATRIX PDM ENGINEERING, INC'S EXPRESS, WRITTEN PERMISSION.

DRAWING NO
P0004
 REV
A

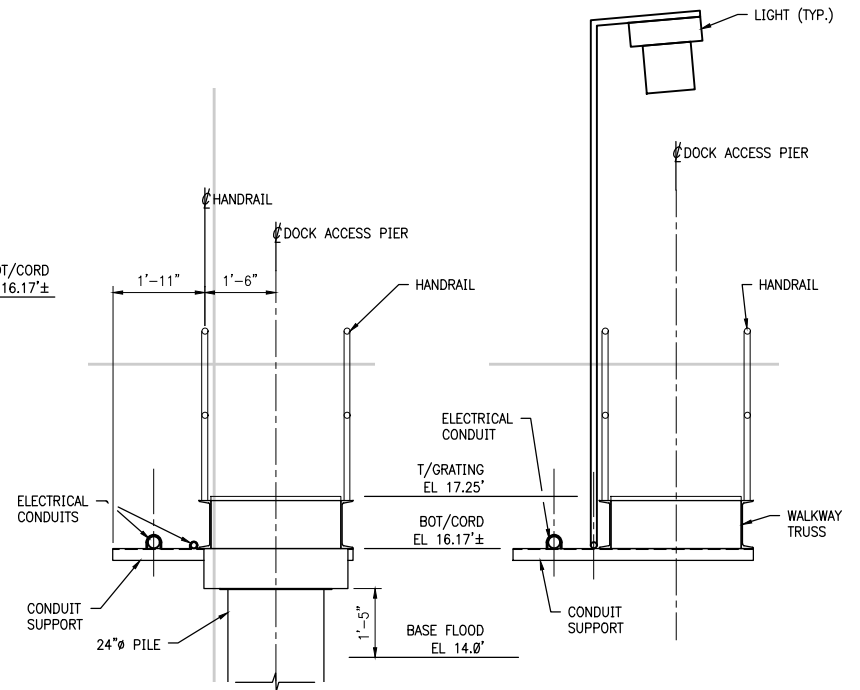
SCALE	BY	DATE	CHK'D	APP'D	
AS NOTED	AML	06/11/21	WRG	WRG	
REV	DESCRIPTION	BY	DATE	CHK'D	APP'D
1	ISSUED FOR PERMIT	AML	06/11/21	WRG	WRG



DOCK ACCESS PIER TRUSS PLAN
SCALE 1"=10'-0"



DOCK ACCESS PIER TRUSS ELEVATION
SCALE 1"=10'-0"



D SECTION SCALE: 1/4"=1'-0"

E SECTION SCALE: 1/4"=1'-0"

CERTIFICATION:

THIS DOCUMENT IS RELEASED FOR PERMITTING PURPOSES ONLY UNDER THE AUTHORITY OF WILLIAM GOHRES P.E. 36311 ON 06-11-2021

DRAWING NO P0005	DRAWN	DATE
	AML	06/11/21
	CHECKED	DATE
	WRG	06/11/21
APPROVED	DATE	
WRG	06/11/21	
SCALE	AS NOTED	
PROJ NO	54091235	
REV	A	

REV	DESCRIPTION	BY	DATE	CHK'D	APP'D
A	ISSUED FOR PERMIT	AML	06/11/21	WRG	WRG

PLAQUEMINES PORT HARBOR AND TERMINAL DISTRICT SECURITY VESSEL SERVICE DOCK
PLAQUEMINES PARISH, LOUISIANA

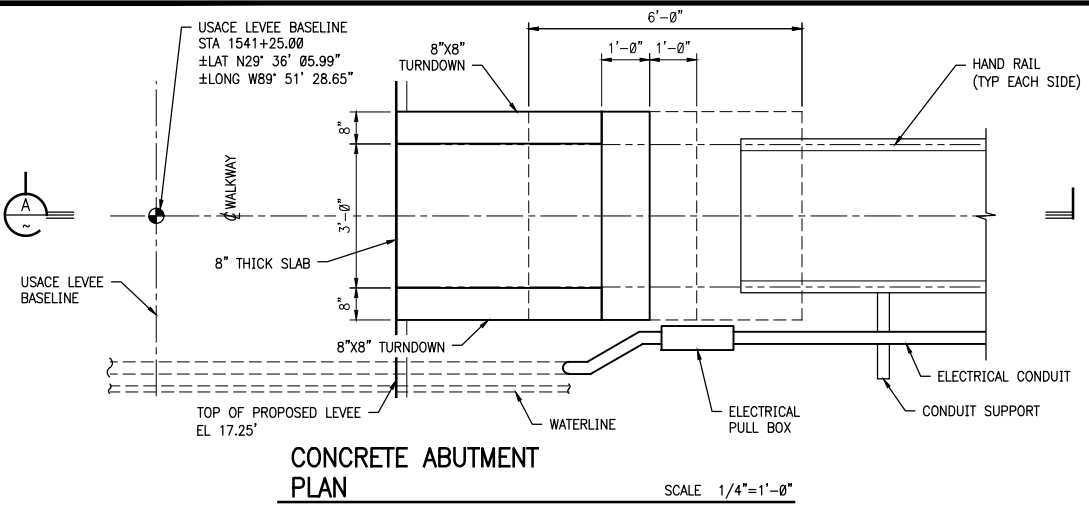
DOCK ACCESS PIER TRUSS - PLAN, PROFILE, DETAILS



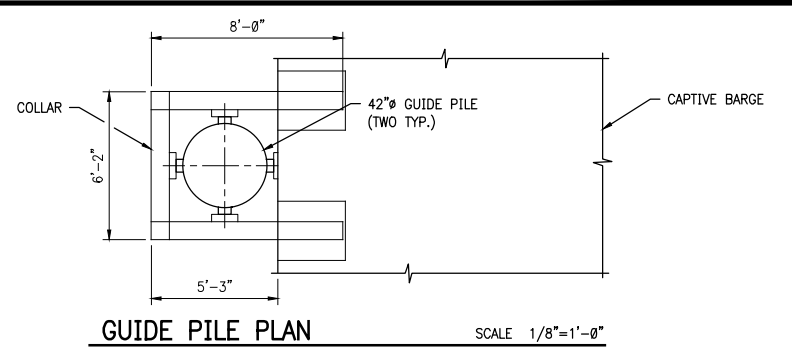
MATRIX PDM ENGINEERING

CONFIDENTIALITY STATEMENT

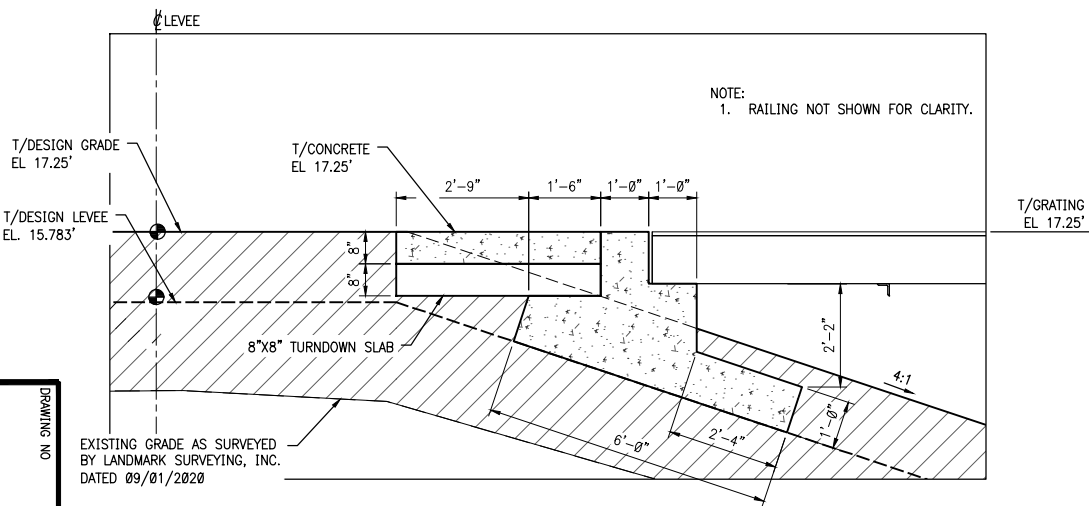
THIS DOCUMENT AND THE WORKS AND/OR INFORMATION CONTAINED THEREIN ARE THE CONFIDENTIAL AND PROPRIETARY PROPERTY OF MATRIX PDM ENGINEERING, INC. AND SHALL BE USED ONLY FOR THE INTENDED PURPOSE AND PROJECT. IT MAY NOT BE COPIED IN WHOLE OR IN PART, PARTS MAY NOT BE FABRICATED FROM THE DOCUMENT, AND THE INFORMATION THEREIN MAY NOT BE DIVULGED WITHOUT MATRIX PDM ENGINEERING, INC'S EXPRESS, WRITTEN PERMISSION.



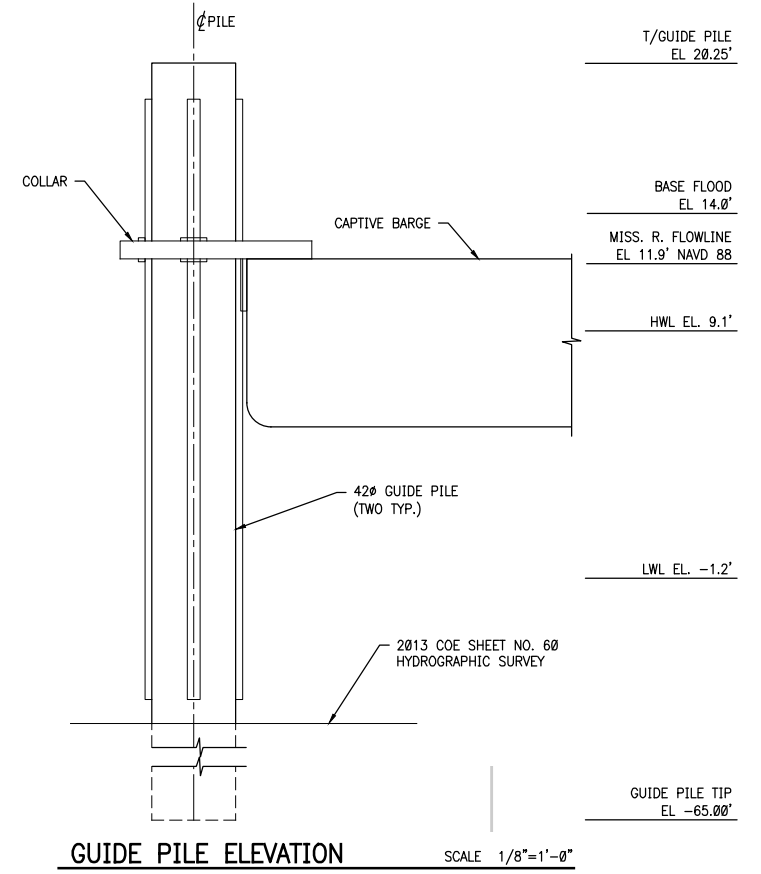
CONCRETE ABUTMENT PLAN
SCALE 1/4"=1'-0"



GUIDE PILE PLAN
SCALE 1/8"=1'-0"



CONCRETE ABUTMENT SECTION
SCALE 1/4"=1'-0"



GUIDE PILE ELEVATION
SCALE 1/8"=1'-0"

DRAWING NO
P0006

APPROVED	CHECKED	DRAWN
WRG	WRG	AML
DATE	DATE	DATE
06/11/21	06/11/21	06/11/21

LEGEND:
 FILL [SEE NOTES 7. & 8. SHT P0001]

CERTIFICATION:
 THIS DOCUMENT IS RELEASED FOR PERMITTING PURPOSES ONLY UNDER THE AUTHORITY OF WILLIAM GOHRES P.E. 36311 ON 06-11-2021

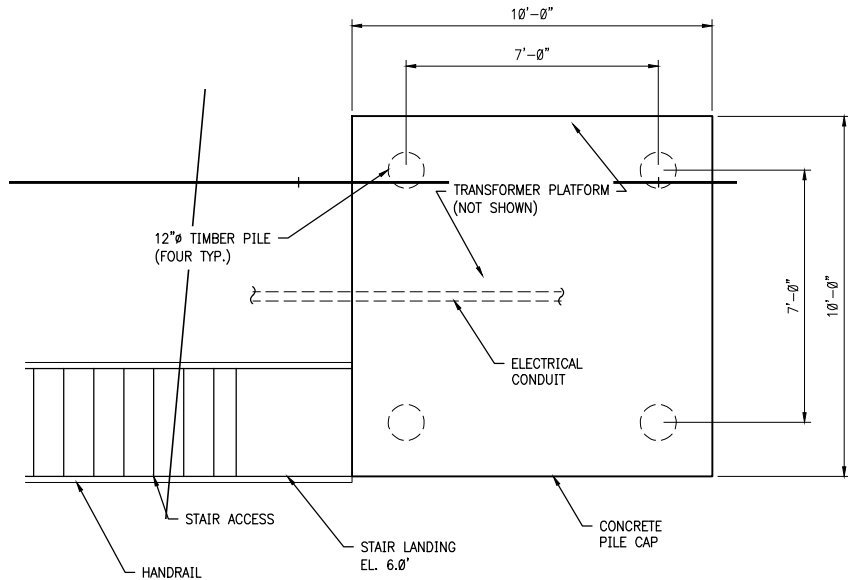
REV	DESCRIPTION	BY	DATE	CHK'D	APP'D
A	ISSUED FOR PERMIT	AML	06/11/21	WRG	WRG

PLAQUEMINES PORT HARBOR AND TERMINAL DISTRICT SECURITY VESSEL SERVICE DOCK
 PLAQUEMINES PARISH, LOUISIANA

CONCRETE ABUTMENT AND GUIDE PILE PLANS AND PROFILES

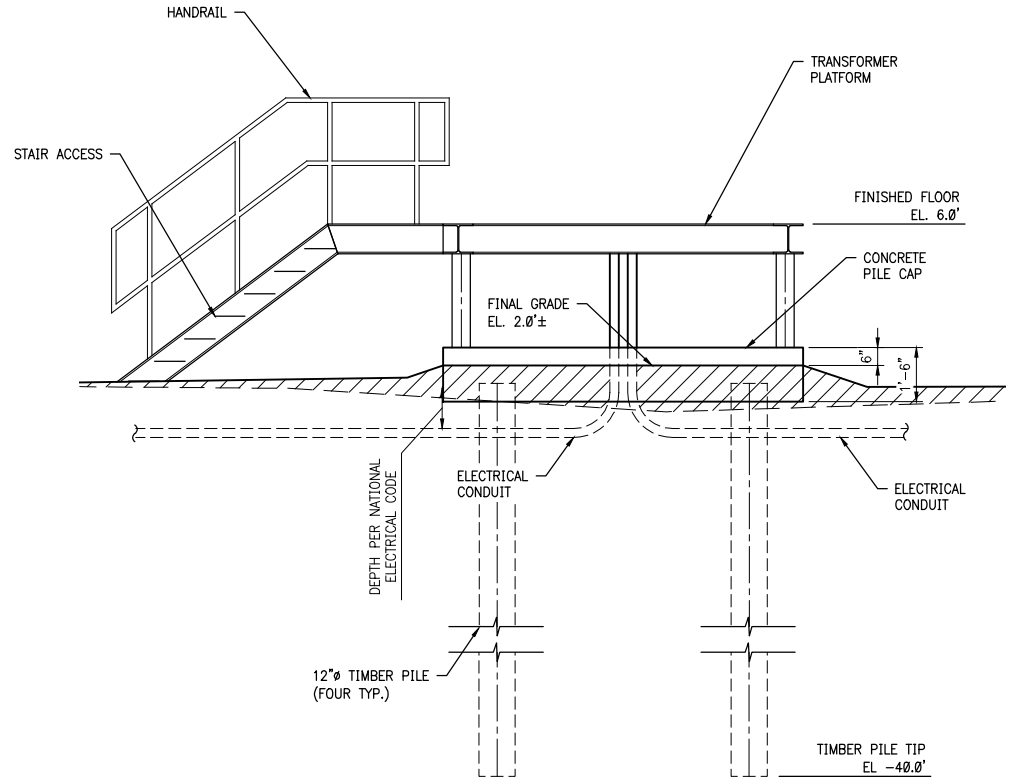


CONFIDENTIALITY STATEMENT
 THIS DOCUMENT AND THE WORKS AND/OR INFORMATION CONTAINED THEREIN ARE THE CONFIDENTIAL AND PROPRIETARY PROPERTY OF MATRIX PDM ENGINEERING, INC. AND SHALL BE USED ONLY FOR THE INTENDED PURPOSE AND PROJECT. IT MAY NOT BE COPIED IN WHOLE OR IN PART. PARTS MAY NOT BE REPRODUCED FROM THE DOCUMENT, AND THE INFORMATION THEREIN MAY NOT BE DIVULGED WITHOUT MATRIX PDM ENGINEERING, INC.'S EXPRESS, WRITTEN PERMISSION.



TRANSFORMER FOUNDATION PLAN

SCALE 3/16"=1'-0"



TRANSFORMER FOUNDATION ELEVATION

SCALE 3/16"=1'-0"

DRAWING NO
P0007
REV
A

DRAWN	DATE	CHECKED	DATE	APPROVED	DATE
AML	06/11/21	WRG	06/11/21	WRG	06/11/21

SCALE	PROJ NO
AS NOTED	54091235

CERTIFICATION:
THIS DOCUMENT IS RELEASED FOR PERMITTING PURPOSES ONLY UNDER THE AUTHORITY OF WILLIAM GOHRES P.E. 36311 ON 06-11-2021

PLAQUEMINES PORT HARBOR AND TERMINAL DISTRICT SECURITY VESSEL SERVICE DOCK
PLAQUEMINES PARISH, LOUISIANA

TRANSFORMER FOUNDATION PLANS AND ELEVATION

REV	DESCRIPTION	BY	DATE	CHK'D	APP'D
A	ISSUED FOR PERMIT	AML	06/11/21	WRG	WRG



MATRIX PDM ENGINEERING

CONFIDENTIALITY STATEMENT
THIS DOCUMENT AND THE WORKS AND/OR INFORMATION CONTAINED THEREIN ARE THE CONFIDENTIAL AND PROPRIETARY PROPERTY OF MATRIX PDM ENGINEERING, INC. AND SHALL BE USED ONLY FOR THE INTENDED PURPOSE AND PROJECT. IT MAY NOT BE COPIED IN WHOLE OR IN PART, PARTS MAY NOT BE FABRICATED FROM THE DOCUMENT, AND THE INFORMATION THEREIN MAY NOT BE DIVULGED WITHOUT MATRIX PDM ENGINEERING, INC.'S EXPRESS, WRITTEN PERMISSION.