

JOINT PUBLIC NOTICE

29 July 2019

United States Army
Corps of Engineers
New Orleans District
Regulatory Branch (ODR-E)
7400 Leake Avenue
New Orleans, Louisiana 70118

(504) 862-2279
angelle.v.greer@usace.army.mil
Project Manager
Angelle Greer
Permit Application Number
MVN-2019-00670-EG

State of Louisiana
Department of Environmental Quality
ATTN: Water Quality Certifications
Post Office Box 4313
Baton Rouge, Louisiana 70821-4313

(225) 219-3225
Project Manager
Elizabeth Hill
WQC Application Number
WQC 190723-01

Interested parties are hereby notified that a permit application has been received by the New Orleans District of the U.S. Army Corps of Engineers pursuant to: [X] Section 10 of the Rivers and Harbors Act of March 3, 1899 (30 Stat. 1151; 33 USC 403); and/or [X] Section 404 of the Clean Water Act (86 Stat. 816; 33 USC 1344).

Application has also been made to the Louisiana Department of Environmental Quality, Water Quality Certifications, for a Water Quality Certification (WQC) in accordance with statutory authority contained in LRS30:2047 A(3), and provisions of Section 401 of the Clean Water Act (P.L.95-17).

RESIDENTIAL BOAT DOCK IN PLAQUEMINES PARISH

NAME OF APPLICANT: Chris Pelas, P.O. Box 983, Port Sulphur, LA 70083

LOCATION OF WORK: At approximately Latitude: 29.506967, Longitude: -89.771092, on Grand Pere Canal, in Port Sulphur, in Plaquemines Parish, Louisiana, as shown on the enclosed drawings. Hydrologic Unit Code: 08090301 (East Central Louisiana Coastal)

CHARACTER OF WORK: Construction of an approximate 60-foot by 38-foot wooden boat dock on Grand Pere Canal for private residential use. 2-foot by 12-foot planks will be temporarily placed within marsh for access and removed upon construction completion. No permanent wetland impacts are anticipated as a result of the project, therefore no compensatory mitigation is proposed.

The comment period for the Department of the Army Permit and the Louisiana Department of Environmental Quality WQC will close **20 days** from the date of this joint public notice. Written comments, including suggestions for modifications or objections to the proposed work, stating reasons thereof, are being solicited from anyone having interest in this permit and/or this WQC request and must be mailed so as to be received before or by the last day of the comment period. Letters concerning the Corps of Engineers permit application must reference the applicant's name and the Permit Application Number, and be mailed to the Corps of Engineers at the address above, **ATTENTION: REGULATORY BRANCH**. **Similar letters concerning the Water Quality Certification must reference the applicant's name and the WQC Application number and be mailed to the Louisiana Department of Environmental Quality at the address above.**

Individuals or parties may request an extension of time in which to comment on the proposed work by writing or e-mailing the Corps of Engineers Project Manager listed above. Any request must be specific and substantively supportive of the requested extension, and received by this office prior to the end of the initial comment period. The Section Chief will review the request and the requestor will be promptly notified of the decision to grant or deny the request. If granted, the time extension will be continuous to the initial comment period and, inclusive of the initial comment period, will not exceed a total of 30 calendar days.

The application for this proposed project is on file with the Louisiana Department of Environmental Quality and may be examined during weekdays between 8:00 a.m. and 4:30 p.m. Copies may be obtained upon payment of costs of reproduction.

Corps of Engineers Permit Criteria

The decision whether to issue a permit will be based on an evaluation of the probable impacts, including cumulative impacts of the proposed activity on the public interest. That decision will reflect the national concern for both protection and utilization of important resources. The benefit which reasonably may be expected to accrue from the proposal must be balanced against its reasonably foreseeable detriments. All factors which may be relevant to the proposal will be considered including the cumulative effects thereof; among those are conservation, economics, aesthetics, general environmental concerns, wetlands, historic properties, fish and wildlife values, flood hazards, floodplain values, land use, navigation, shoreline erosion and accretion, recreation, water supply and conservation, water quality, energy needs, safety, food and fiber production, mineral needs, considerations of property ownership and, in general, the needs and welfare of the people.

The U.S. Army Corps of Engineers is soliciting comments from the public, federal, state, and local agencies and officials, Indian Tribes, and other interested parties in order to consider and evaluate the impacts of this proposed activity. Any comments received will be considered by the U.S. Army Corps of Engineers to determine whether to make, modify, condition, or deny a permit for this

proposal. To make this decision, comments are used to assess impacts on endangered species, historic properties, water quality, general environmental effects, and other public interest factors listed above. Comments are used in the preparation of an Environmental Assessment and/or an Environmental Impact Statement pursuant to the National Environmental Policy Act. Comments are also used to determine the need for a public hearing and to determine the overall public interest of the proposed activity.

The New Orleans District is unaware of properties listed on the National Register of Historic Places near the proposed work. The possibility exists that the proposed work may damage or destroy presently unknown archeological, scientific, prehistorical, historical sites, or data. Issuance of this public notice solicits input from the State Archeologist and State Historic Preservation Officer regarding potential impacts to cultural resources.

The New Orleans District has determined that the project footprint is located in an area known to be utilized by the West Indian Manatee. It has been determined that the activity is not likely to adversely affect the West Indian Manatee based on the Standard Local Operating Procedure for Endangered Species in Louisiana (SLOPES), dated October 22, 2014, between the U.S. Army Corps of Engineers, New Orleans and U.S. Fish and Wildlife Service, Ecological Services Office. Standard Manatee Conditions for In-Water Activities will be added to Corps' authorization, if approved.

Our initial finding is that the proposed work is Not Likely to Adversely Affect any species listed as endangered by the U.S. Departments of Interior or Commerce, nor affect any habitat designated as critical to the survival and recovery of any endangered species.

This notice initiates the Essential Fish Habitat (EFH) consultation requirements of the Magnuson-Stevens Fishery Conservation and Management Act. The applicant's proposal would result in the destruction or alteration of 0.05 acre of EFH utilized by various life stages of red drum and penaeid shrimp. Our initial determination is that the proposed action would not have a substantial adverse impact on EFH or federally managed fisheries in the Gulf of Mexico. Our final determination relative to project impacts and the need for mitigation measures is subject to review by and coordination with the National Marine Fisheries Service.

If the proposed work involves deposits of dredged or fill material into navigable waters, the evaluation of the probable impacts will include the application of guidelines established by the Administrator of the Environmental Protection Agency. Also, a certification that the proposed activity will not violate applicable water quality standards will be required from the Department of Environmental Quality, Water Quality Certifications, before a permit is issued.

Any person may request, in writing, within the comment period specified in this notice, that a public hearing be held to consider this application. Requests for public hearings shall state, with

particularity, the reasons for holding a public hearing.

The applicant has certified that the proposed activity described in the application complies with and will be conducted in a manner that is consistent with the Louisiana Coastal Resources Program. The Department of the Army permit will not be issued unless the applicant received approval or a waiver of the Coastal Use Permit by the Department of Natural Resources.

You are requested to communicate the information contained in this notice to any other parties whom you deem likely to have interest in the matter.

Michael V. Farabee
Chief, Eastern Evaluation Section

Enclosure

Untitled Map

Write a description for your map.

Legend

Bayer, Clene

Socola Canal

Grand Bayou Rd

23

Amberley
Martin Luther King Jr

Project Location



Google Earth

© 2018 Google



4000 ft

Untitled Map

Write a description for your map.

Legend

Project Location



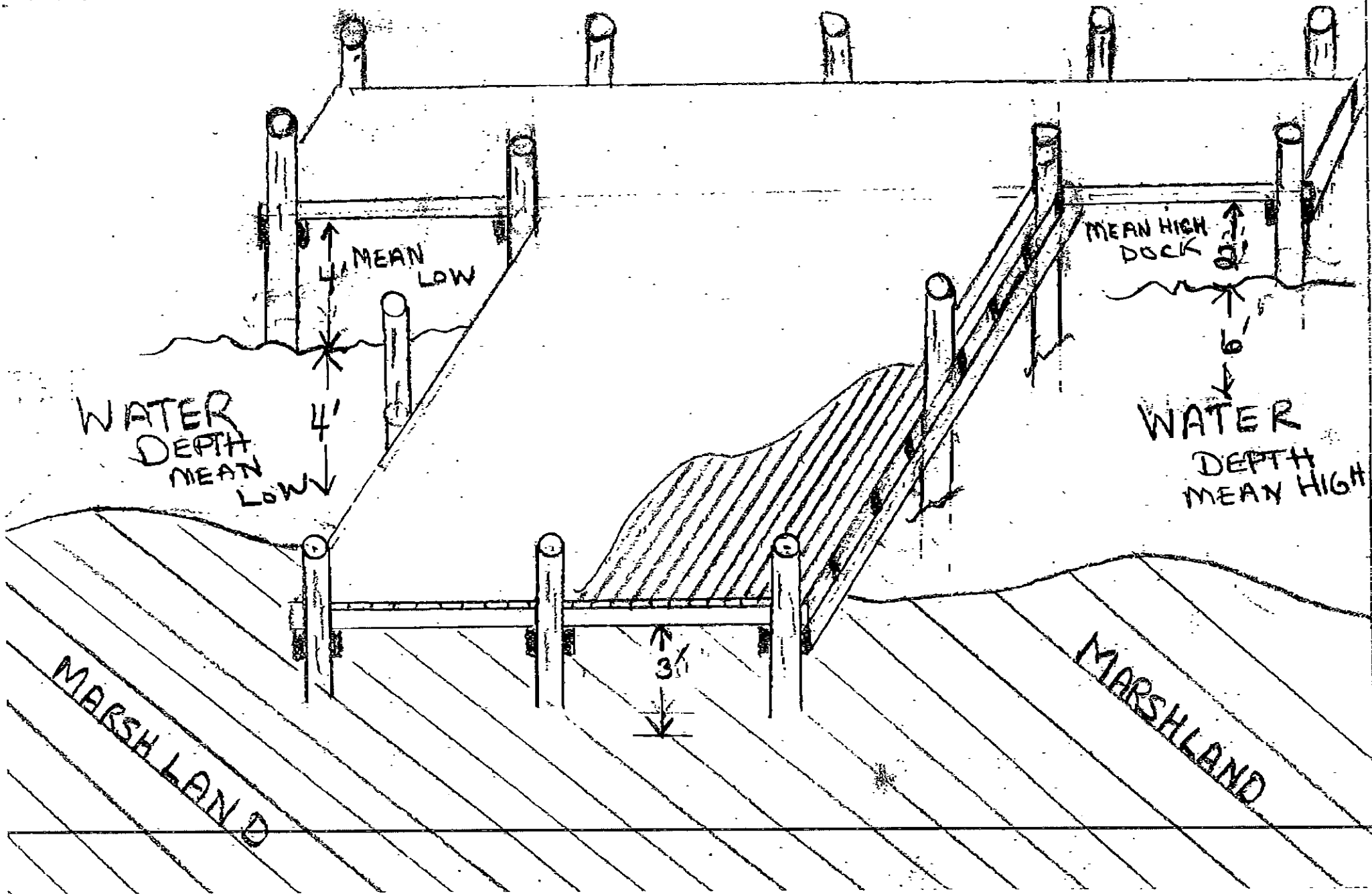
Google Earth

© 2018 Google

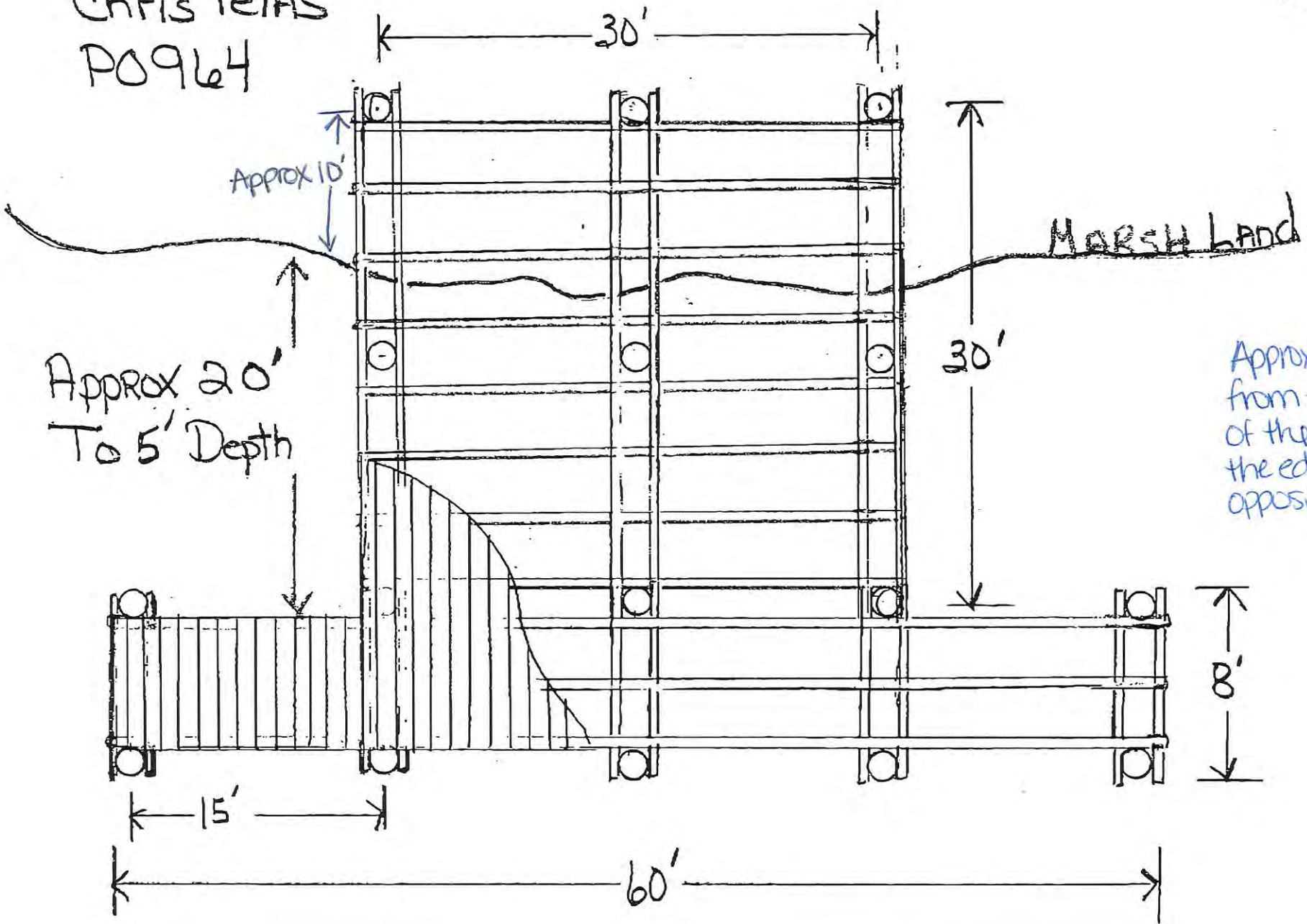
700 ft



VIEW FROM MARSH CHIEF PELAS

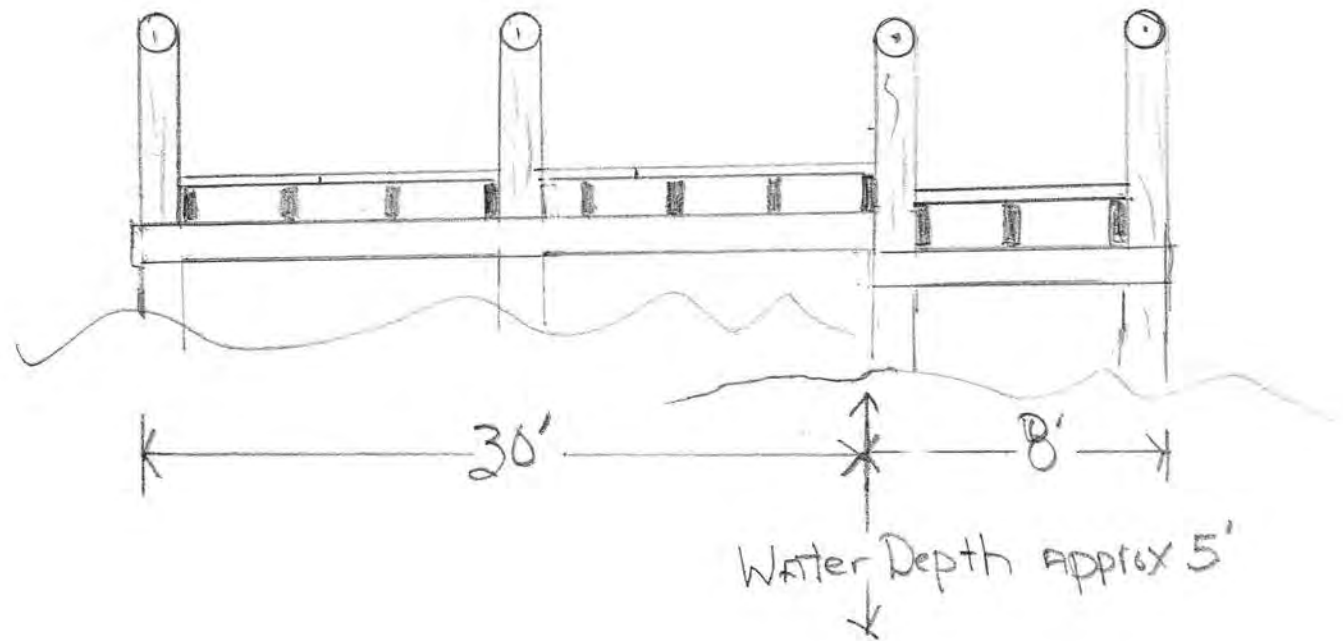


Top View
Chris Pelas
PO964



Scale 1/8" = 1'

Side View
Chris Pelas
PO 964
Grand PERE Bayou



FRONT VIEW

Chris Pelas

PO 964

Grand PERE Bayou

100 FEET FRONT ALONG SOUTH BANK

