

JOINT PUBLIC NOTICE

July 09, 2018

United States Army
Corps of Engineers
New Orleans District
Regulatory Branch, OD-SW
7400 Leake Avenue
New Orleans, Louisiana 70118

(504) 862-1445

Pierre.P.Castaing@usace.army.mil

Project Manager
Pierre Castaing
Permit Application Number
MVN-2017-01109-WRR

State of Louisiana
Department of Environmental Quality
ATTN: Water Quality Certifications
Post Office Box 4313
Baton Rouge, Louisiana 70821-4313

(225) 219-3225

Project Manager
Elizabeth Hill
WQC Application Number
WQC 180207-01

Interested parties are hereby notified that a permit application has been received by the New Orleans District of the U.S. Army Corps of Engineers pursuant to: [X] Section 10 of the Rivers and Harbors Act of March 3, 1899 (30 Stat. 1151; 33 USC 403); and/or [] Section 404 of the Clean Water Act (86 Stat. 816; 33 USC 1344).

Application has also been made to the Louisiana Department of Environmental Quality, Water Quality Certifications, for a Water Quality Certification (WQC) in accordance with statutory authority contained in LRS30:2047 A(3), and provisions of Section 401 of the Clean Water Act (P.L.95-17).

MAINTENACE DREDGING FOR DRAINAGE IMPROVEMENTS IN IBERIA PARISH

NAME OF APPLICANT: Iberia Parish Government, New Iberia, LA, c/o: Matthew Vincent, with Sellers & Associates, 148 B Easy Street, Lafayette, Louisiana 70506.

LOCATION OF WORK: Project site (7 unnamed canals) is located east of Avery Island Road and south of Andras Road, in Iberia Parish, as shown on the attached drawings.

Latitude: 29.9258 / Longitude: -91.8860 Hydrologic Unit Code: 08080103 Atchafalaya-Vermilion.

CHARACTER OF WORK: Proposed activity to dredge approximately 71,953 cubic yards of material from 11.24 acres of seven unnamed canals for drainage improvements. The dredged material will be placed on 23.39 acres of non-wetland areas adjacent to the canals. The applicant states the project has been designed to have the minimum amount of adverse impacts, to the maximum extent practical. No wetlands will be impacted as a result of the project.

The comment period for the Department of the Army Permit and the Louisiana Department of Environmental Quality WQC will close **20 days** from the date of this joint public notice. Written comments, including suggestions for modifications or objections to the proposed work, stating reasons thereof, are being solicited from anyone having interest in this permit and/or this WQC request and must be mailed so as to be received before or by the last day of the comment period. Letters concerning the Corps of Engineers permit application must reference the applicant's name and the Permit Application Number, and be mailed to the Corps of Engineers at the address above, **ATTENTION: REGULATORY BRANCH**. Similar letters concerning the Water Quality Certification must reference the applicant's name and the WQC Application number and be mailed to the Louisiana Department of Environmental Quality at the address above. Individuals or parties may request an extension of time in which to comment on the proposed work by writing or e-mailing the Corps of Engineers Project Manager listed above. Any request must be specific and substantively supportive of the requested extension, and received by this office prior to the end of the initial comment period. The Section Chief will review the request and the requestor will be promptly notified of the decision to grant or deny the request. If granted, the time extension will be continuous to the initial comment period and, inclusive of the initial comment period, will not exceed a total of 30 calendar days.

The application for this proposed project is on file with the Louisiana Department of Environmental Quality and may be examined during weekdays between 8:00 a.m. and 4:30 p.m. Copies may be obtained upon payment of costs of reproduction.

Corps of Engineers Permit Criteria

The decision whether to issue a permit will be based on an evaluation of the probable impacts, including cumulative impacts of the proposed activity on the public interest. That decision will reflect the national concern for both protection and utilization of important resources. The benefit which reasonably may be expected to accrue from the proposal must be balanced against its reasonably foreseeable detriments. All factors which may be relevant to the proposal will be considered including the cumulative effects thereof; among those are conservation, economics, aesthetics, general environmental concerns, wetlands, historic properties, fish and wildlife values, flood hazards, floodplain values, land use, navigation, shoreline erosion and accretion, recreation, water supply and conservation, water quality, energy needs, safety, food and fiber production, mineral needs, considerations of property ownership and, in general, the needs and welfare of the people.

The U.S. Army Corps of Engineers is soliciting comments from the public, federal, state, and local agencies and officials, Indian Tribes, and other interested parties in order to consider and evaluate the impacts of this proposed activity. Any comments received will be considered by the U.S. Army Corps of Engineers to determine whether to make, modify, condition, or deny a permit for this proposal. To make this decision, comments are used to assess impacts on endangered species, historic properties, water quality, general environmental effects, and other public interest factors listed above. Comments are used in the preparation of an Environmental Assessment and/or an Environmental Impact Statement pursuant to the National Environmental Policy Act. Comments are also used to determine the need for a public hearing and to determine the overall public interest of the proposed activity.

The New Orleans District is unaware of properties listed on the National Register of Historic Places near the proposed work. The possibility exists that the proposed work may damage or destroy presently unknown archeological, scientific, prehistorical, historical sites, or data. Copies of this public notice are being sent to the State Archeologist and State Historic Preservation Officer regarding potential impacts to cultural resources.

Our initial finding is that the proposed work will not likely adversely affect any species, nor affect any habitat designated as critical to the survival and recovery of such species, listed as endangered by the U.S. Department of Commerce.

The New Orleans District has determined that the proposed activity will not likely adversely affect the West Indian Manatee (with conditions added) based on the Standard Local Operating Procedure for Endangered Species of Louisiana (SLOPES), dated October 22, 2014, between the U.S. Army Corps of Engineers and U.S. Fish and Wildlife Service, Ecological Services Office.

This notice initiates the Essential Fish Habitat (EFH) consultation requirements of the Magnuson-Stevens Fishery Conservation and Management Act. The applicant's proposal would result in the destruction or alteration of 0 acres of EFH utilized by various life stages of red drum and penaeid shrimp. Our initial determination is that the proposed action would not have a substantial adverse impact on EFH or federally managed fisheries in the Gulf of Mexico. Our final determination relative to project impacts and the need for mitigation measures is subject to review by and coordination with the National Marine Fisheries Service.

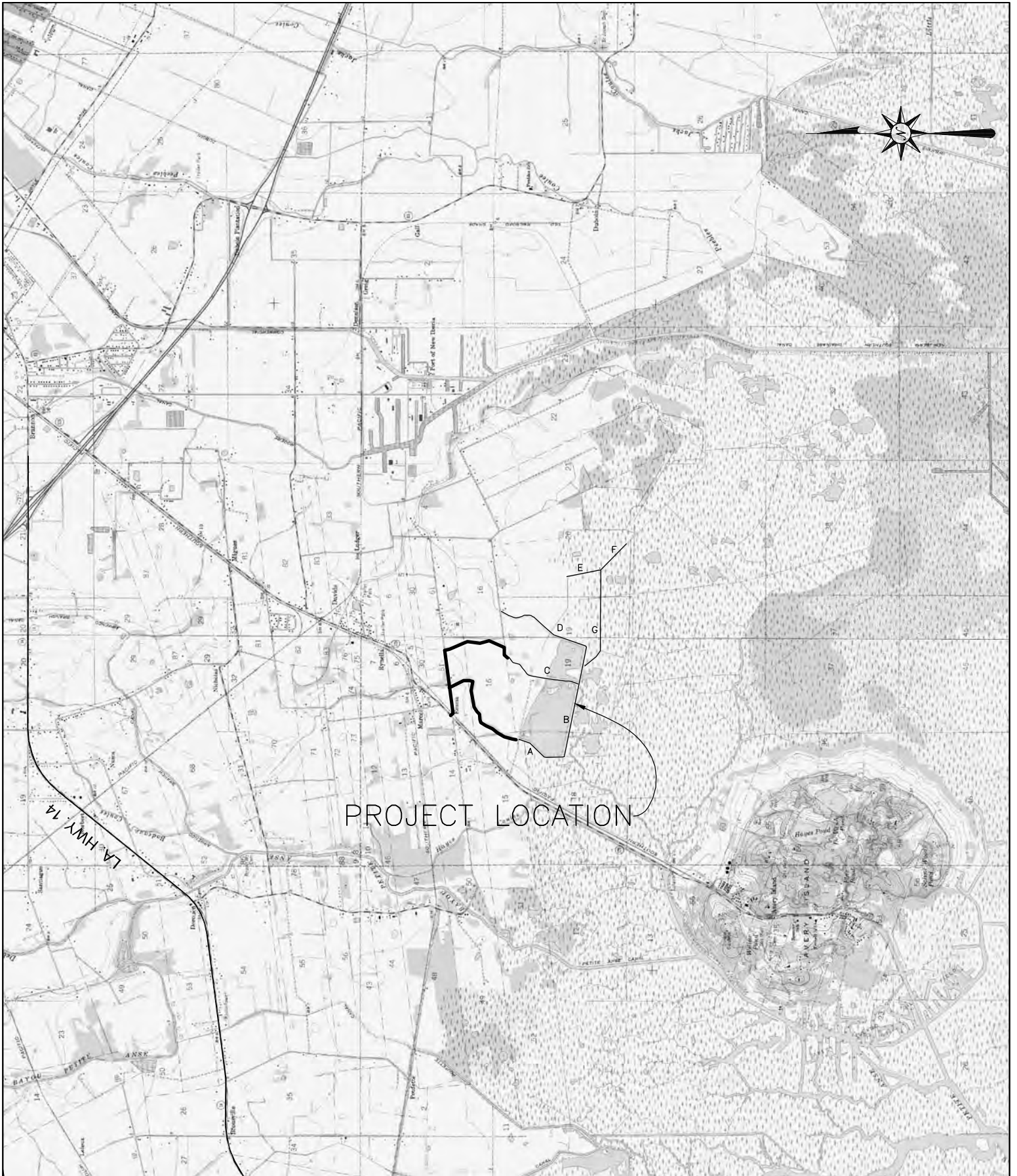
If the proposed work involves deposits of dredged or fill material into navigable waters, the evaluation of the probable impacts will include the application of guidelines established by the Administrator of the Environmental Protection Agency. Also, a certification that the proposed activity will not violate applicable water quality standards will be required from the Department of Environmental Quality, Water Quality Certifications, before a permit is issued.

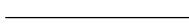

Any person may request, in writing, within the comment period specified in this notice, that a public hearing be held to consider this application. Requests for public hearings shall state, with particularity, the reasons for holding a public hearing.

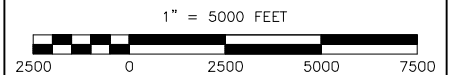
You are requested to communicate the information contained in this notice to any other parties whom you deem likely to have interest in the matter.

Darrell S. Barbara
Chief, Western Evaluation Section


Enclosure



 CHANNEL LOCATION
 ACCESS ROUTE



ENGINEER	M. VINCENT
DRAWN BY	M. VINCENT
DATE	3/7/2017
SCALE	1"=5000'
PROJECT	8747-04
FILE NO.	Permit.dwg



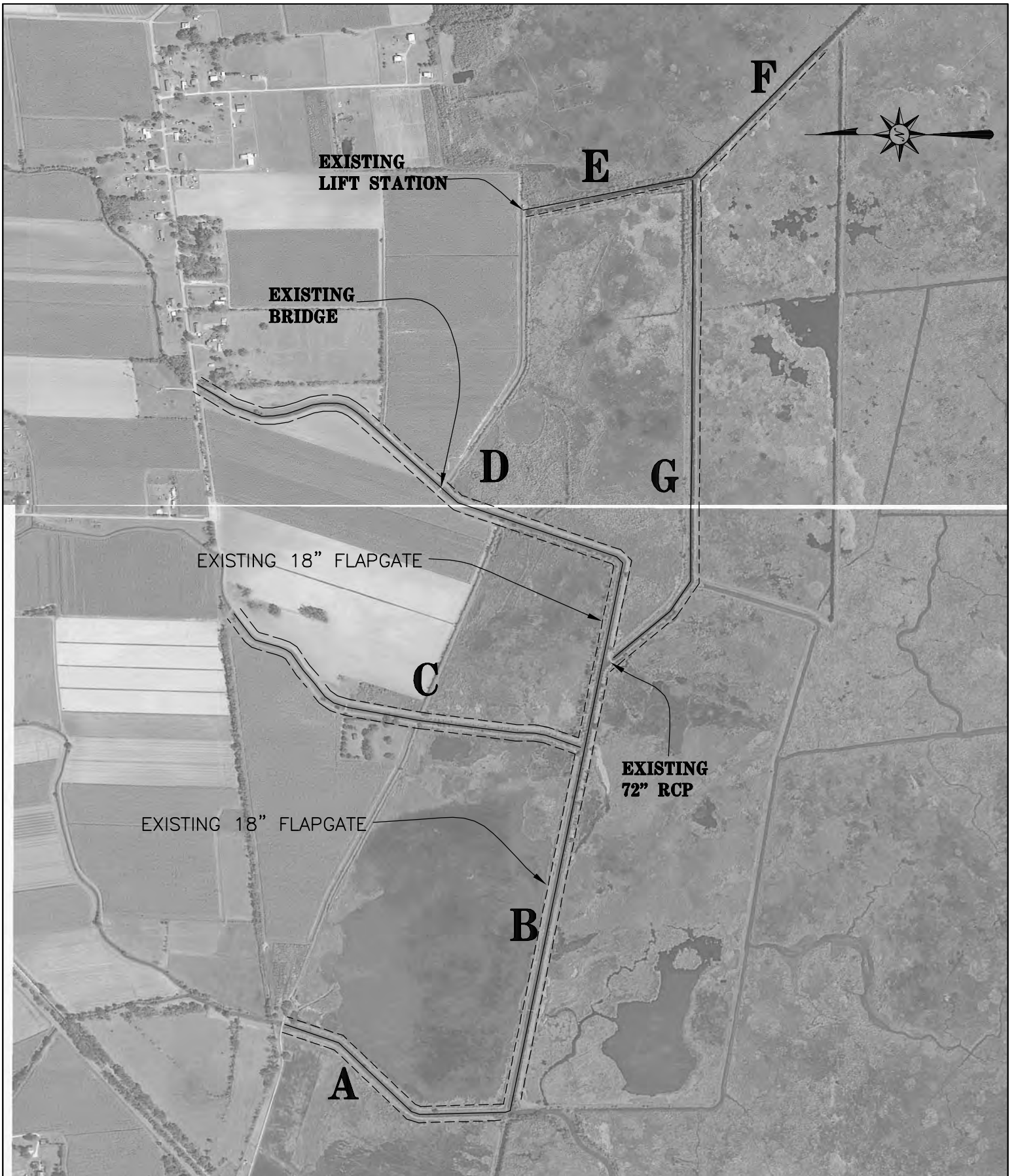
Sellers & Associates, Inc.
 ENGINEERS SURVEYORS
 148-B Easy Street, Lafayette, LA 70508 (337) 292-0777

DRAINAGE IMPROVEMENTS FOR
 IBERIA PARISH GOVERNMENT

VICINITY MAP

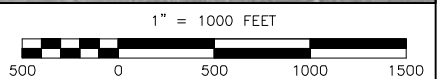
CLIENT	IBERIA PARISH GOVERNMENT
PROJECT	8747-04 COASTAL USE PERMIT
LOCATION	IBERIA PARISH, LOUISIANA

SHEET NO.
 1



——— CHANNEL LOCATION
 - - - - - SPOIL PLACEMENT

CHANNEL LENGTH (FT)	A	B	C	D	E	F	G
	2045'	4350'	3100'	3940'	4050'	1370'	1450'



ENGINEER	M. VINCENT
DRAWN BY	M. VINCENT
DATE	3/7/2017
SCALE	1"=1000'
PROJECT	8747-04
FILE NO.	Permit.dwg

Sellers & Associates, Inc.
 ENGINEERS SURVEYORS
 148-B Easy Street, Lafayette, LA 70508 (337) 232-0777

**DRAINAGE IMPROVEMENTS FOR
 IBERIA PARISH GOVERNMENT**

PLAN VIEW

CLIENT	IBERIA PARISH GOVERNMENT	SHEET NO. 2
PROJECT	8747-04 COASTAL USE PERMIT	
LOCATION	IBERIA PARISH, LOUISIANA	



LEGEND

① FIGURE NUMBER, LOCATION, AND DIRECTION OF PHOTOGRAPH

1" = 1000 FEET



ENGINEER	M. VINCENT
DRAWN BY	M. VINCENT
DATE	3/7/2017
SCALE	1"=1000'
PROJECT	8747-04
FILE NO.	Permit.dwg

Sellers & Associates, Inc.
ENGINEERS SURVEYORS
148-B Easy Street, Lafayette, LA 70508 (337) 232-0777

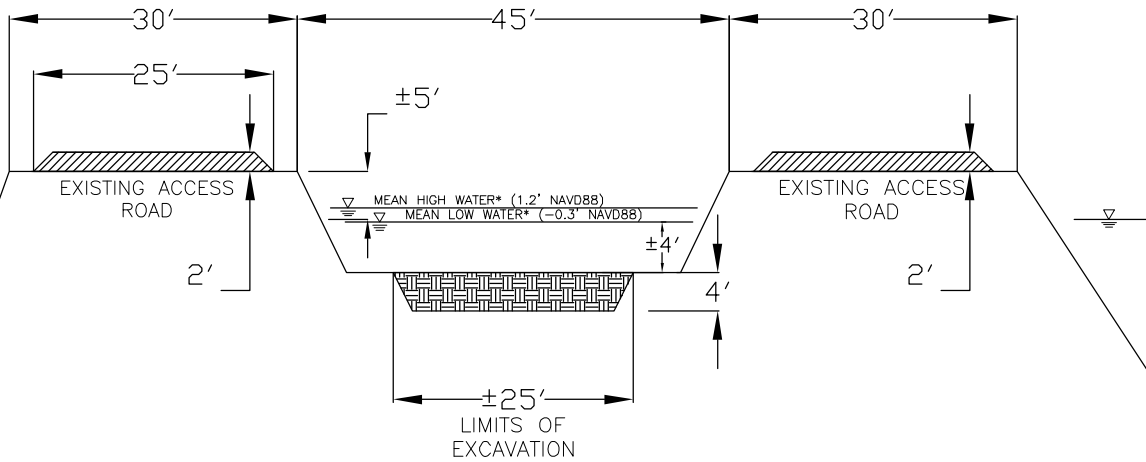
**DRAINAGE IMPROVEMENTS FOR
IBERIA PARISH GOVERNMENT**

FIGURE MAP

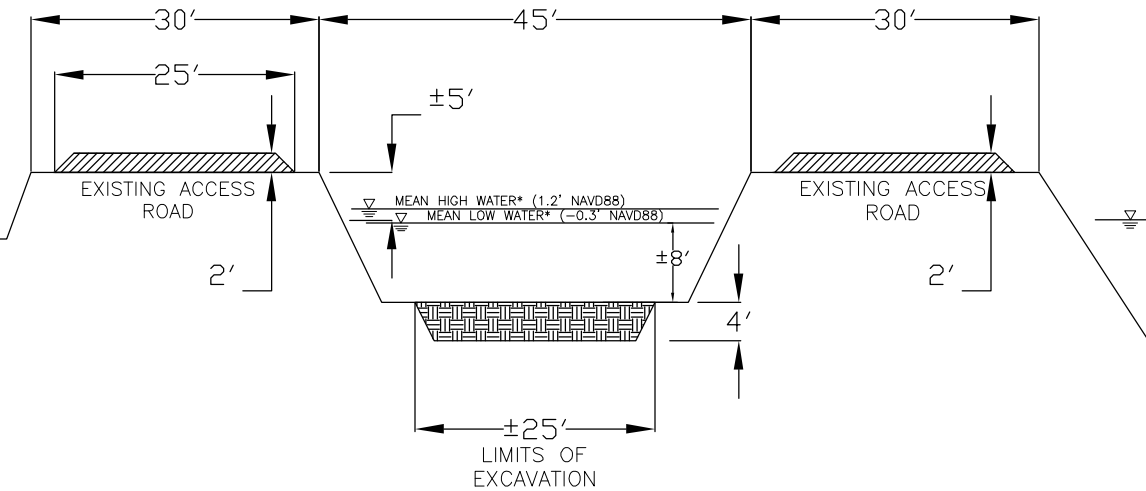
CLIENT	IBERIA PARISH GOVERNMENT
PROJECT	8747-04 COASTAL USE PERMIT
LOCATION	IBERIA PARISH, LOUISIANA

**SHEET
NO.**
3

CHANNELS A AND C TYPICAL SECTION



CHANNELS B AND D TYPICAL SECTION



* MEAN HIGH WATER AND MEAN LOW WATER TAKEN FROM TIDAL DATUM DATA AT THE FOLLOWING LOCATIONS:
 FRESHWATER BAYOU LOCK - NORTH (76592) SCHOONER BAYOU CONTROL STRUCTURE - EAST (76600) LELAND BOWMAN LOCK - EAST (76720)
 FRESHWATER BAYOU LOCK - SOUTH (76593) SCHOONER BAYOU CONTROL STRUCTURE - WEST (76680) LELAND BOWMAN LOCK - WEST (76800)

** ELEVATIONS TAKEN FROM LIDAR DATA PROVIDED BY CONCEPTS, WATERSHED, 200406, DIGITAL ELEVATION MODEL (USGS DEM), TASK AREA 8 - AVERY ISLAND, LOUISIANA, LOUISIANA / FEDERAL EMERGENCY MANAGEMENT AGENCY (FEMA) PROJECT - PHASE 3 OF LOUISIANA LIDAR DATA DEVELOPMENT: ST. MARY AND IBERIA PARISHES, LOUISIANA UNDER THE WATERSHED CONCEPTS CONTRACT NUMBER EMT-2002-CO-0048. [DEM_#####%.DEM].



FILL



EXCAVATION

1" = 20 FEET



ENGINEER	M. VINCENT
DRAWN BY	M. VINCENT
DATE	6/25/2018
SCALE	1"=20'
PROJECT	8747-04
FILE NO.	Permit.dwg

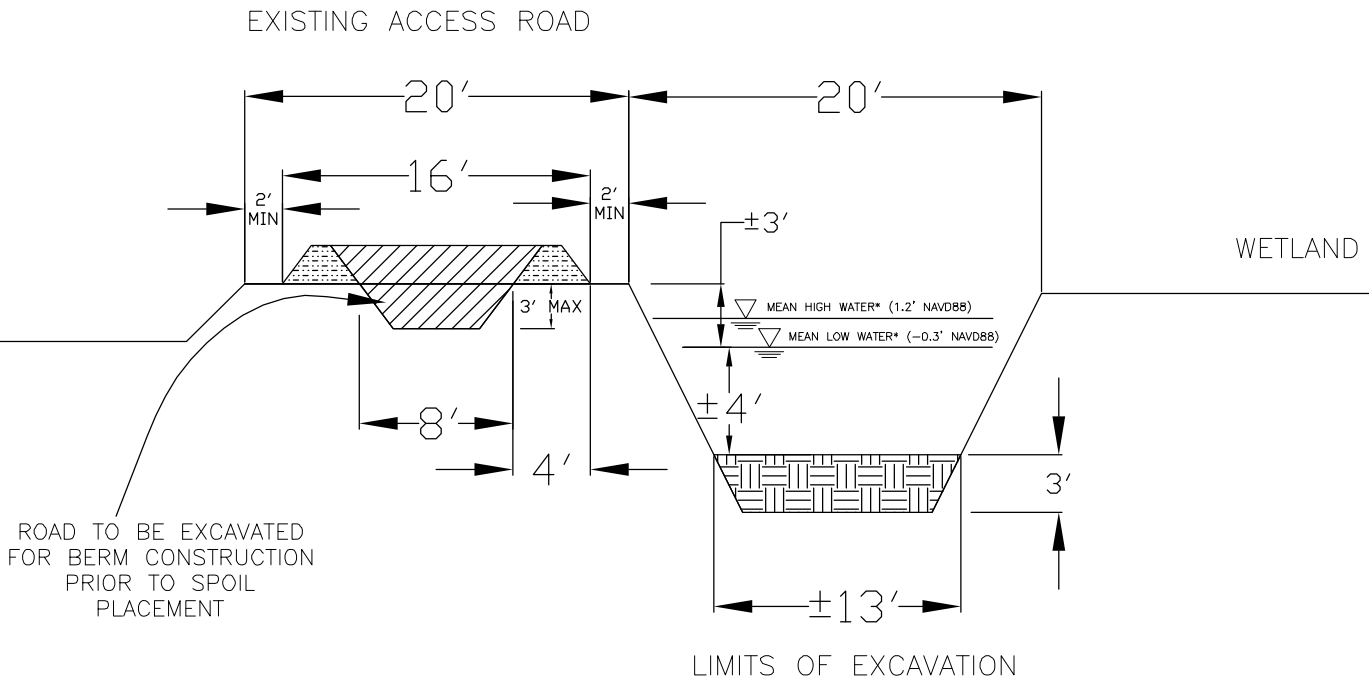
Sellers & Associates, Inc.
 ENGINEERS SURVEYORS
 148-B Easy Street, Lafayette, LA 70508 (337) 232-0777

DRAINAGE IMPROVEMENTS FOR IBERIA PARISH GOVERNMENT

TYPICAL SECTION

CLIENT	IBERIA PARISH GOVERNMENT	SHEET NO. 4
PROJECT	8747-04 COASTAL USE PERMIT	
LOCATION	IBERIA PARISH, LOUISIANA	

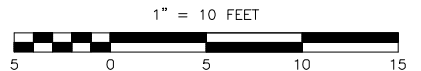
CHANNELS E AND F TYPICAL SECTION



* MEAN HIGH WATER AND MEAN LOW WATER TAKEN FROM TIDAL DATUM DATA AT THE FOLLOWING LOCATIONS:
 FRESHWATER BAYOU LOCK - NORTH (76592) SCHOONER BAYOU CONTROL STRUCTURE - EAST (76600) LELAND BOWMAN LOCK - EAST (76720)
 FRESHWATER BAYOU LOCK - SOUTH (76593) SCHOONER BAYOU CONTROL STRUCTURE - WEST (76680) LELAND BOWMAN LOCK - WEST (76800)

** ELEVATIONS TAKEN FROM LIDAR DATA PROVIDED BY CONCEPTS, WATERSHED, 200406, DIGITAL ELEVATION MODEL (USGS DEM), TASK AREA 8 - AVERY ISLAND, LOUISIANA, LOUISIANA / FEDERAL EMERGENCY MANAGEMENT AGENCY (FEMA) PROJECT - PHASE 3 OF LOUISIANA LIDAR DATA DEVELOPMENT: ST. MARY AND IBERIA PARISHES, LOUISIANA UNDER THE WATERSHED CONCEPTS CONTRACT NUMBER EMT-2002-CO-0048. [DEM_#####%.DEM].

FILL FROM CHANNEL BOTTOM EXCAVATION BERM FROM ROAD EXCAVATION



ENGINEER	M. VINCENT
DRAWN BY	M. VINCENT
DATE	6/25/2018
SCALE	1"=10'
PROJECT	8747-04
FILE NO.	Permit.dwg

Sellers & Associates, Inc.
 ENGINEERS SURVEYORS
 148-B Easy Street, Lafayette, LA 70508 (337) 232-0777

DRAINAGE IMPROVEMENTS FOR IBERIA PARISH GOVERNMENT

TYPICAL SECTION

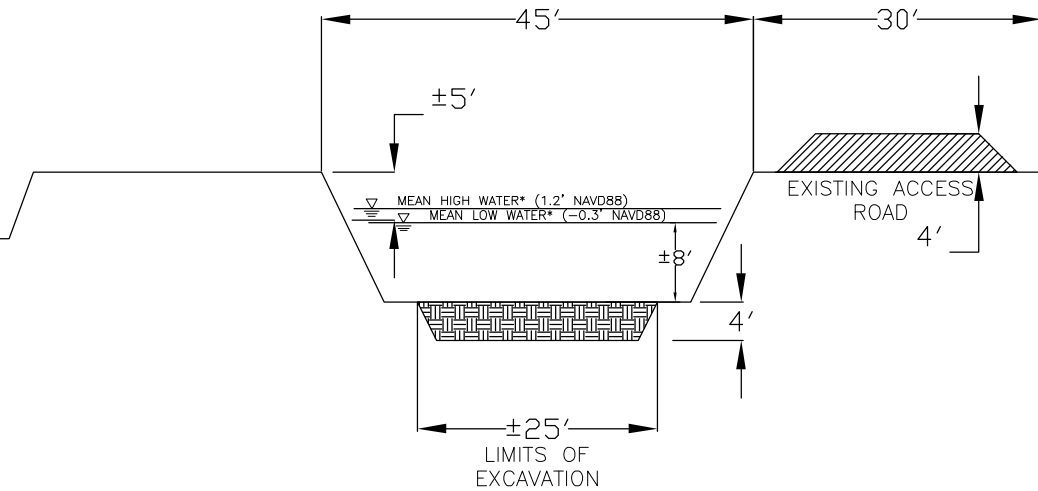
CLIENT	IBERIA PARISH GOVERNMENT
PROJECT	8747-04 COASTAL USE PERMIT
LOCATION	IBERIA PARISH, LOUISIANA

SHEET NO.
5

CHANNEL G TYPICAL SECTION

NORTHERN ACCESS ROAD

SOUTHERN ACCESS ROAD



NOTE: SPOIL MATERIAL WILL ONLY BE PLACED ON SOUTHERN SIDE OF CANAL

* MEAN HIGH WATER AND MEAN LOW WATER TAKEN FROM TIDAL DATUM DATA AT THE FOLLOWING LOCATIONS:
 FRESHWATER BAYOU LOCK - NORTH (76592) SCHOONER BAYOU CONTROL STRUCTURE - EAST (76600) LELAND BOWMAN LOCK - EAST (76720)
 FRESHWATER BAYOU LOCK - SOUTH (76593) SCHOONER BAYOU CONTROL STRUCTURE - WEST (76680) LELAND BOWMAN LOCK - WEST (76800)

** ELEVATIONS TAKEN FROM LIDAR DATA PROVIDED BY CONCEPTS, WATERSHED, 200406, DIGITAL ELEVATION MODEL (USGS DEM), TASK AREA 8 - AVERY ISLAND, LOUISIANA, LOUISIANA / FEDERAL EMERGENCY MANAGEMENT AGENCY (FEMA) PROJECT - PHASE 3 OF LOUISIANA LIDAR DATA DEVELOPMENT: ST. MARY AND IBERIA PARISHES, LOUISIANA UNDER THE WATERSHED CONCEPTS CONTRACT NUMBER EMT-2002-CO-0048. [DEM_#####%.DEM].



FILL



EXCAVATION

1" = 20 FEET



ENGINEER	M. VINCENT
DRAWN BY	M. VINCENT
DATE	6/25/2018
SCALE	1"=20'
PROJECT	8747-04
FILE NO.	Permit.dwg

Sellers & Associates, Inc.
 ENGINEERS SURVEYORS
 148-B Easy Street, Lafayette, LA 70508 (337) 232-0777

DRAINAGE IMPROVEMENTS FOR IBERIA PARISH GOVERNMENT

TYPICAL SECTION

CLIENT	IBERIA PARISH GOVERNMENT
PROJECT	8747-04 COASTAL USE PERMIT
LOCATION	IBERIA PARISH, LOUISIANA

SHEET NO.

6