

JOINT PUBLIC NOTICE

22 January 2018

United States Army Corps of Engineers
New Orleans District
Regulatory Branch
7400 Leake Avenue
New Orleans, Louisiana 70118

State of Louisiana
Department of Environmental Quality
Office of Environmental Services
Post Office Box 4313
Baton Rouge, Louisiana 70821-4313

(504) 862-1588
Project Manager
Glenn E. Dobson Jr.
glenn.e.dobson@usace.army.mil
MVN-2017-00267-CC

(225) 219-3225
Project Manager
Elizabeth Hill
WQC Application Number
WQC # 171108-01

Interested parties are hereby notified that a permit application has been received by the New Orleans District of the US Army Corps of Engineers pursuant to: [] Section 10 of the Rivers and Harbors Act of March 3, 1899 (30 Stat. 1151; 33 USC 403); and/or [X] Section 404 of the Clean Water Act (86 Stat. 816; 33 USC 1344).

Application has also been made to the Louisiana Department of Environmental Quality, Office of Environmental Services, for a Water Quality Certification (WQC) in accordance with statutory authority contained in LRS 30:2074 A(3) and provisions of Section 401 of the Clean Water Act.

PROPOSED POWER POLES (2) in ASCENSION PARISH

NAME OF APPLICANT: Entergy Louisiana, c/o Tim Morton and Associates, 730 East Kaliste Saloom Road, Lafayette, Louisiana 70508.

LOCATION OF WORK: Jurisdictional wetlands in Section 14, Township 10S, Range 2E, in Geismar, Louisiana, in Ascension Parish, within the Lake Pontchartrain Basin in hydrologic unit (HUC 08070204), as shown on the attached drawings (Latitude 30.195860 N, Longitude -91.013658 W).

CHARACTER OF WORK: The applicant has requested Department of the Army authorization to clear approximately 0.72 of an acre of forested wetlands for the purpose of installing two power poles in their adjacent right-of-way to supply the proposed Mt. Houmas substation with power. Trees cleared from the area will be chipped and spread evenly on-site as not to exceed 4-inches in depth. The cleared bottom land hardwoods area will be converted to herbaceous wetlands. Approximately 581 cubic yards of mulch will be spread evenly on site not exceeding 4 inches in depth. Additionally, approximately 42 cubic yards of native soil material from drilling the power poles will be spread around the poles as not to exceed 4-inches. A Corps Preliminary Jurisdictional Determination indicated that the proposed project would impact approximately 0.72 of an acre of bottomland hardwoods and 0.01 of an acre of herbaceous wetlands.

It is presumed that the applicant has designed the project to avoid and minimize direct and secondary adverse impacts to the maximum extent practicable. As compensation for unavoidable wetland impacts, the applicant proposes to use a Corps approved mitigation bank within the watershed of impact.

The comment period for the Department of Army will close in **20 days** from the date of this joint public notice. Written comments, including suggestions for modifications or objections to the proposed work, stating reasons thereof, are being solicited from anyone having interest in this permit and/or this WQC request and must be mailed so as to be received before or by the last day of the comment period. Letters concerning the Corps of Engineers permit application must reference the applicant's name and the Permit Application Number, and be mailed to the Corps of Engineers at the address above, **ATTENTION: REGULATORY BRANCH**. Similar letters concerning the Water Quality Certification must reference the applicant's name and the WQC application number and be mailed to the Louisiana Department of Environmental Quality at the address above. Individuals or parties may request an extension of time in which to comment on the proposed work by writing or e-mailing the Corps of Engineers Project Manager listed above. Any request must be specific and substantively supportive of the requested extension, and received by this office prior to the end of the initial comment period. The Section Chief will review the request and the requestor will be promptly notified of the decision to grant or deny the request. If granted, the time extension will be continuous to the initial comment period and, inclusive of the initial comment period, will not exceed a total of 30 calendar days.

The application for this proposed project is on file with the Louisiana Department of Environmental Quality and may be examined during weekdays between 8:00 a.m. and 4:30 p.m. Copies may be obtained upon payment of costs of reproduction.

Corps of Engineers Permit Criteria

The decision whether to issue a permit will be based on an evaluation of the probable impacts, including cumulative impacts of the proposed activity on the public interest. That decision will reflect the national concern for both protection and utilization of important resources. The benefit which reasonably may be expected to accrue from the proposal must be balanced against its reasonably foreseeable detriments. All factors which may be relevant to the proposal will be considered including the cumulative effects thereof; among those are conservation, economics, aesthetics, general environmental concerns, wetlands, historic properties, fish and wildlife values, flood hazards, floodplain values, land use, navigation, shoreline erosion and accretion, recreation, water supply and conservation, water quality, energy needs, safety, food and fiber production, mineral needs, considerations of property ownership and, in general, the needs and welfare of the people.

The US Army Corps of Engineers is soliciting comments from the public, federal, state, and local agencies and officials, Indian Tribes, and other interested parties in order to consider and evaluate the impacts of this proposed activity. Any comments received will be considered by the US Army Corps of Engineers to determine whether to make, modify, condition, or deny a permit for this proposal. To make this decision, comments are used to assess impacts on endangered species, historic properties, water quality, general environmental effects, and other public interest factors listed above. Comments are used

in the preparation of an Environmental Assessment and/or an Environmental Impact Statement pursuant to the National Environmental Policy Act. Comments are also used to determine the need for a public hearing and to determine the overall public interest of the proposed activity.

The New Orleans District is unaware of properties listed on the National Register of Historic Places near the proposed work. The possibility exists that the proposed work may damage or destroy presently unknown archeological, scientific, prehistorical, historical sites, or data. Copies of this notice are being sent to the State Archeologist and the State Historic Preservation Officer.

Our initial finding is that the proposed work would neither affect any species listed as endangered by the U.S. Departments of Interior or Commerce, nor affect any habitat designated as critical to the survival and recovery of any endangered species. Utilizing Standard Local Operating Procedure for Endangered Species in Louisiana (SLOPES), dated October 22, 2014, between the U.S. Army Corps of Engineers, New Orleans and U.S. Fish and Wildlife Service, Ecological Services Office, the Corps has determined that the proposed activity would have no effect on any listed species.

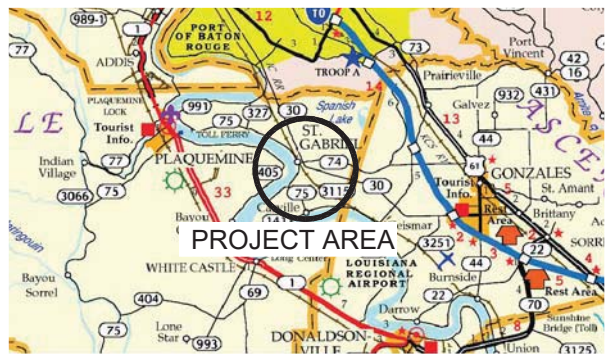
This notice initiates the Essential Fish Habitat (EFH) consultation requirements of the Magnuson-Stevens Fishery Conservation and Management Act. The applicant's proposal would result in the destruction or alteration of 0 acres of EFH. Our initial determination is that the proposed action would not have a substantial adverse impact on EFH or federally managed fisheries in the Gulf of Mexico. Our final determination relative to project impacts and the need for mitigation measures is subject to review by and coordination with the National Marine Fisheries Service.

If the proposed work involves deposits of dredged or fill material into navigable waters, the evaluation of the probable impacts will include the application of guidelines established by the Administrator of the Environmental Protection Agency. Also, a certification that the proposed activity will not violate water quality standards will be required from the Department of Environmental Quality, Office of Environmental Services before a permit is issued.

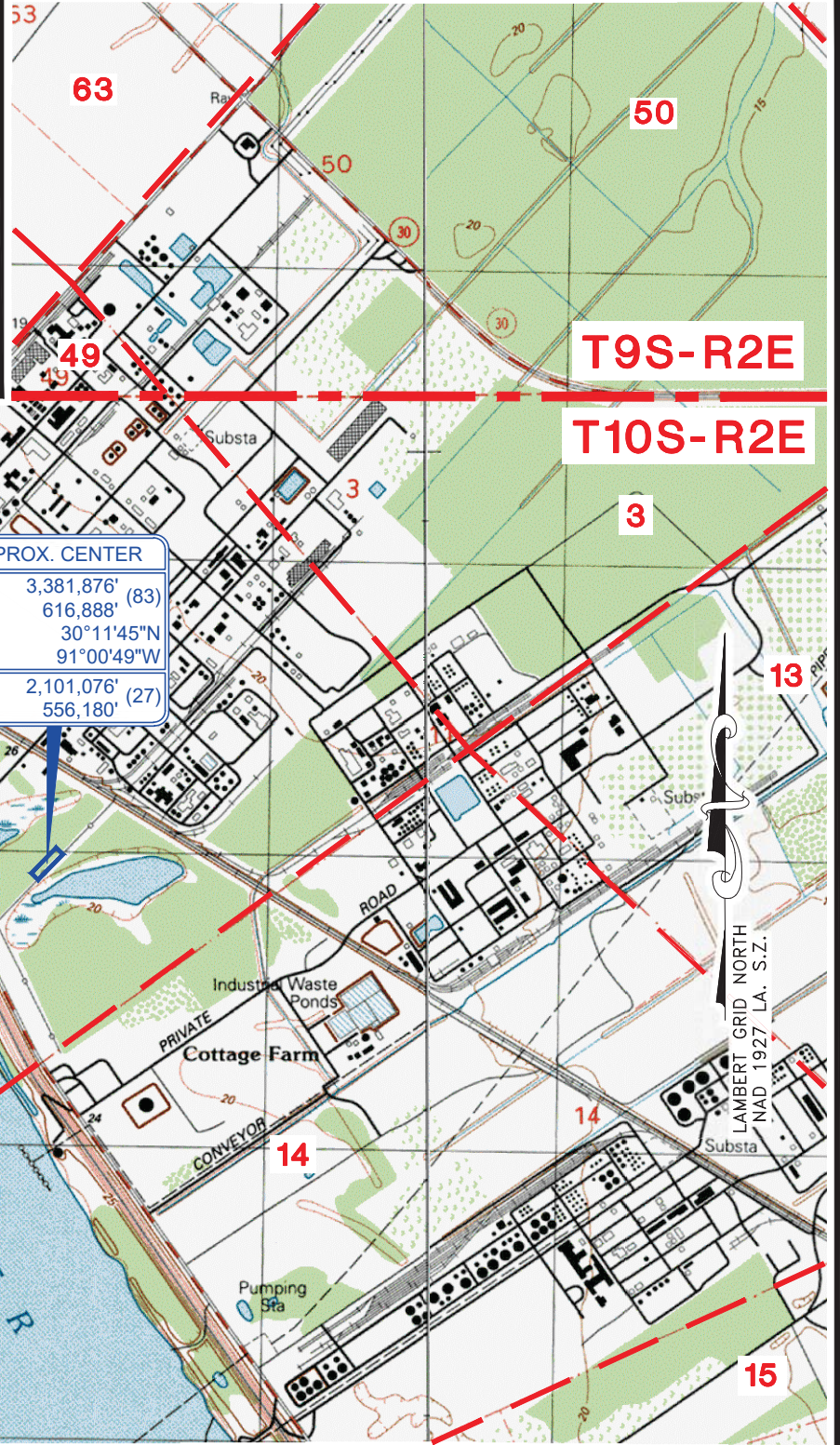
Any person may request, in writing, within the comment period specified in this notice, that a public hearing be held to consider this application. Requests for public hearings shall state, with particularity, the reasons for holding a public hearing. You are requested to communicate the information contained in this notice to any other parties whom you deem likely to have interest in the matter.

JOHN M. HERMAN
Chief, Central Evaluation Section
Regulatory Branch

Enclosures



VICINITY MAP
REPRODUCED FROM STATE HIGHWAY MAP



APPROX. CENTER	
X=	3,381,876' (83)
Y=	616,888' (27)
Lat=	30°11'45"N
Lon=	91°00'49"W
X=	2,101,076' (27)
Y=	556,180' (27)

LAMBERT GRID NORTH
 NAD 1927 LA, S.Z.

ENTERGY LOUISIANA, LLC
NEW ORLEANS, LOUISIANA

VICINITY PLAT
PRAXAIR T-LINE CUT-IN
ASCENSION PARISH, LOUISIANA

FIGURE A

MAP NO. FIG1

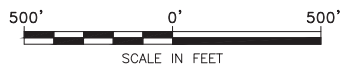
JANUARY 25, 2017

REFERENCE: BASE MAP FROM U.S.G.S. QUADRANGLE MAP
"CARVILLE, LA" 1992, AND "GONZALES, LA" 1991, AT A SCALE
OF 1:24000.

PREPARED BY:



JOB NO. 17-005



PREPARED BY:

TIM MORTON & ASSOCIATES, INC.
 REGULATORY & ENVIRONMENTAL CONSULTANTS
 LAFAYETTE, LOUISIANA
 JOB NO. 17-096

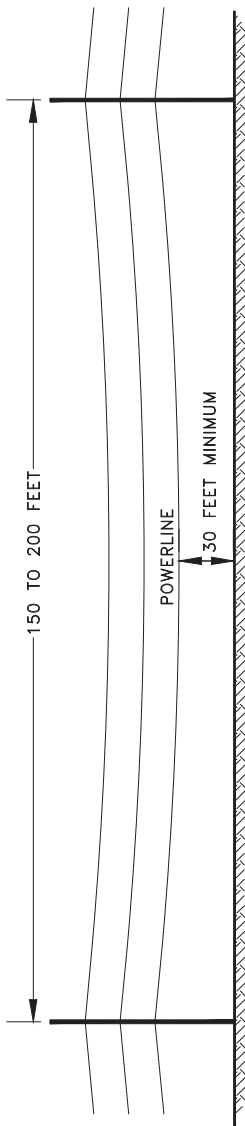
FIGURE B

ENERGY LOUISIANA
 NEW ORLEANS, LOUISIANA

MT. HOUMAS T-LINE CUT-IN
 ASCENSION PARISH, LOUISIANA

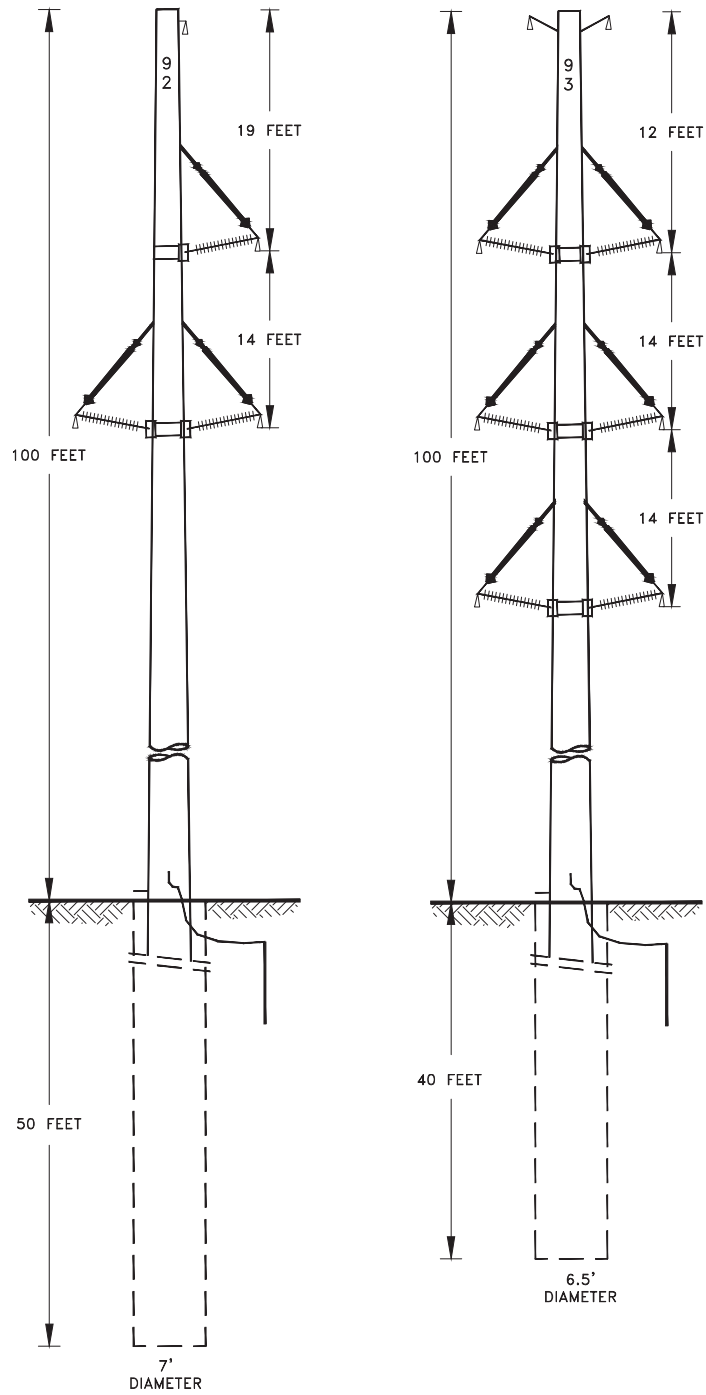
SCALE: 1" = 500'

OCTOBER 17, 2017



TYPICAL POLE SPACING
NO SCALE

TYPICAL POLE INSTALLATION
NO SCALE



PREPARED BY:



TIM MORTON & ASSOCIATES, INC.
REGULATORY & ENVIRONMENTAL CONSULTANTS
LAFAYETTE, LOUISIANA

JOB NO. 17-096

FIGURE C

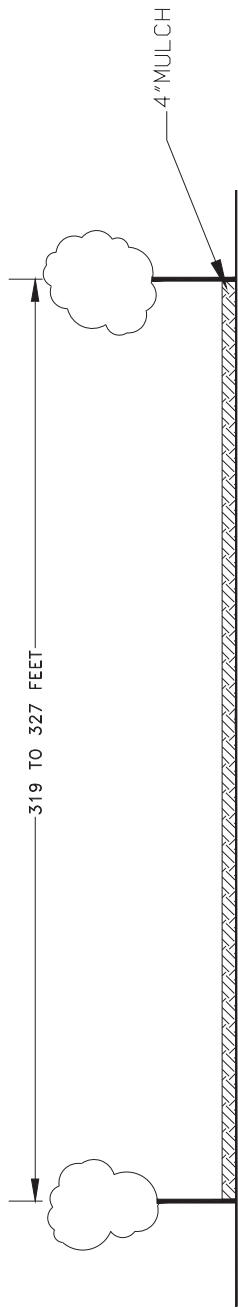
ENERGY LOUISIANA, INC
NEW ORLEANS, LOUISIANA

MT. HOUMAS T-LINE CUT-IN
ASCENSION PARISH, LOUISIANA

NOT TO SCALE

OCTOBER 17, 2017

TYPICAL MULCH
NO SCALE



TYPICAL POLE SPOIL
NO SCALE

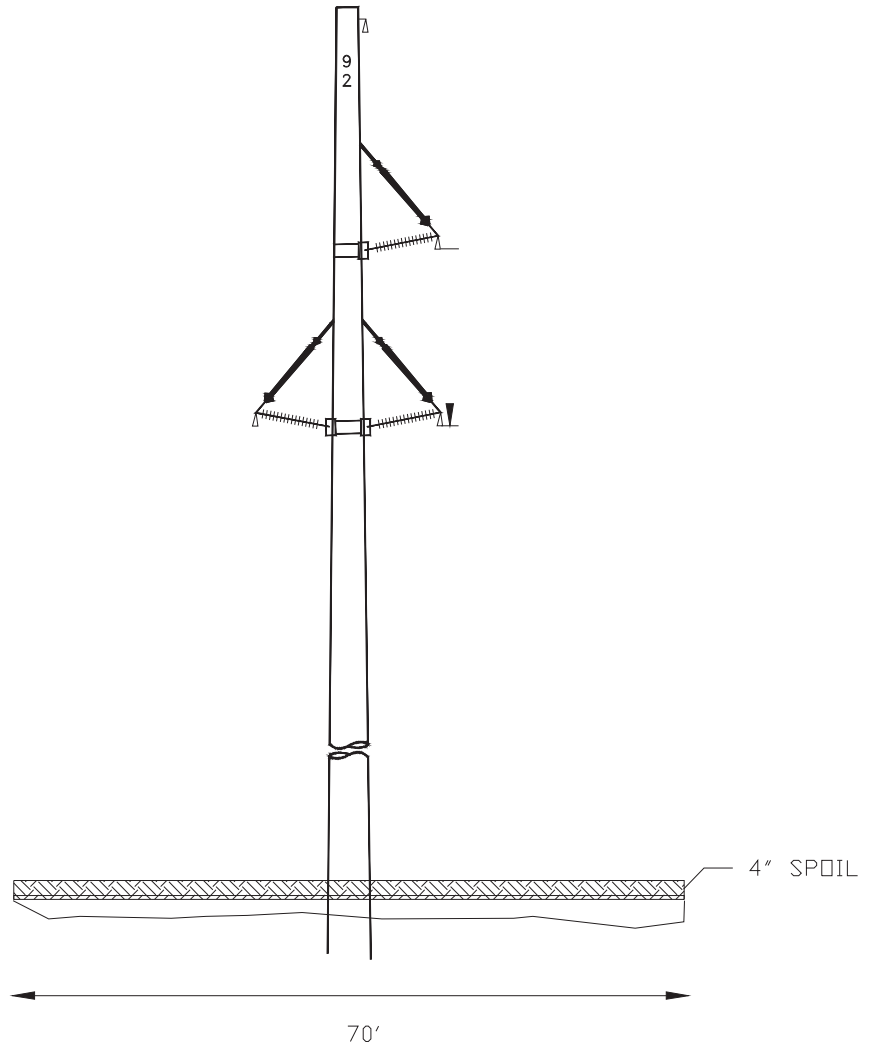


FIGURE D

PREPARED BY:



TIM MORTON & ASSOCIATES, INC.
REGULATORY & ENVIRONMENTAL CONSULTANTS
LAFAYETTE, LOUISIANA

JOB NO. 17-096

ENTERGY LOUISIANA, INC
NEW ORLEANS, LOUISIANA

MT. HOUMAS T-LINE CUT-IN
ASCENSION PARISH, LOUISIANA

NOT TO SCALE

NOVEMBER 13, 2017