

JOINT PUBLIC NOTICE

17 July 2017

United States Army
Corps of Engineers
New Orleans District
Regulatory Branch
7400 Leake Avenue
New Orleans, Louisiana 70118

(504) 862-2045
jennifer.e.burkett@usace.army.mil
Project Manager
Jennifer Burkett
Permit Application Number
MVN 2016-0703 EBB

State of Louisiana
Department of Environmental Quality
ATTN: Water Quality Certifications
Post Office Box 4313
Baton Rouge, Louisiana 70821-4313

(225) 219-3225
Project Manager
Elizabeth Hill
WQC Application Number
WQC 170710-01

Interested parties are hereby notified that a permit application has been received by the New Orleans District of the U.S. Army Corps of Engineers pursuant to: [] Section 10 of the Rivers and Harbors Act of March 3, 1899 (30 Stat. 1151; 33 USC 403); and/or [X] Section 404 of the Clean Water Act (86 Stat. 816; 33 USC 1344).

Application has also been made to the Louisiana Department of Environmental Quality for a Water Quality Certification (WQC) in accordance with statutory authority contained in LRS30:2047 A(3), and provisions of Section 401 of the Clean Water Act (P.L.95-17).

ABITA RIVER PARK SUBDIVISION IN SAINT TAMMANY PARISH

NAME OF APPLICANT: Abita Springs Estates c/o D. R. Sanders and Associates, Inc. at 7129 East Central Park Drive, Moss Point, Mississippi 39562.

LOCATION OF WORK: Adjacent to the Abita River, on the north side of Harrison Avenue, approximately half a mile east of Highway 190, in Covington, Saint Tammany Parish, Louisiana, as shown on the attached drawings.

Hydrologic Unit Code: 08090201; Liberty Bayou – Tchefuncte River
Latitude: 30.46268, Longitude: -90.0732

CHARACTER OF WORK: To clear, grade, excavate, and install and maintain fill to construct lots, streets, a detention pond, and other associated infrastructure for a 138-lot subdivision. Construction will permanently impact 4.35 acres of non-tidal forested wetlands and will require 3,300 cubic yards of fill. The jurisdictional wetlands along the Abita River, as well as a green space between the development and these wetlands, will be avoided. The applicant proposes to buy credits from a mitigation bank to offset any unavoidable losses to wetland functions caused by project implementation.

The comment period for the Department of the Army Permit and the Louisiana Department of Environmental Quality WQC will close **20 days** from the date of this joint public notice. Written comments, including suggestions for modifications or objections to the proposed work, stating

reasons thereof, are being solicited from anyone having interest in this permit and/or this WQC request and must be mailed so as to be received before or by the last day of the comment period. Letters concerning the Corps of Engineers permit application must reference the applicant's name and the Permit Application Number, and be mailed to the Corps of Engineers at the address above, **ATTENTION: REGULATORY BRANCH**. Similar letters concerning the Water Quality Certification must reference the applicant's name and the WQC Application number and be mailed to the Louisiana Department of Environmental Quality at the address above. **Individuals or parties may request an extension of time in which to comment on the proposed work by writing or e-mailing the Corps of Engineers Project Manager listed above. Any request must be specific and substantively supportive of the requested extension, and received by this office prior to the end of the initial comment period. The Section Chief will review the request and the requestor will be promptly notified of the decision to grant or deny the request. If granted, the time extension will be continuous to the initial comment period and, inclusive of the initial comment period, will not exceed a total of 30 calendar days.**

The application for this proposed project is on file with the Louisiana Department of Environmental Quality and may be examined during weekdays between 8:00 a.m. and 4:30 p.m. Copies may be obtained upon payment of costs of reproduction.

Corps of Engineers Permit Criteria

The decision whether to issue a permit will be based on an evaluation of the probable impacts, including cumulative impacts of the proposed activity on the public interest. That decision will reflect the national concern for both protection and utilization of important resources. The benefit which reasonably may be expected to accrue from the proposal must be balanced against its reasonably foreseeable detriments. All factors which may be relevant to the proposal will be considered including the cumulative effects thereof; among those are conservation, economics, aesthetics, general environmental concerns, wetlands, historic properties, fish and wildlife values, flood hazards, floodplain values, land use, navigation, shoreline erosion and accretion, recreation, water supply and conservation, water quality, energy needs, safety, food and fiber production, mineral needs, considerations of property ownership and, in general, the needs and welfare of the people.

The U.S. Army Corps of Engineers is soliciting comments from the public, federal, state, and local agencies and officials, Indian Tribes, and other interested parties in order to consider and evaluate the impacts of this proposed activity. Any comments received will be considered by the U.S. Army Corps of Engineers to determine whether to make, modify, condition, or deny a permit for this proposal. To make this decision, comments are used to assess impacts on endangered species, historic properties, water quality, general environmental effects, and other public interest factors listed above. Comments are used in the preparation of an Environmental Assessment and/or an Environmental Impact Statement pursuant to the National Environmental Policy Act. Comments are also used to determine the need for a public hearing and to determine the overall public interest of the proposed activity.

The New Orleans District is unaware of properties listed on the National Register of Historic Places near the proposed work. The possibility exists that the proposed work may damage or destroy presently unknown archeological, scientific, prehistorical, historical sites, or data. Issuance of this public notice solicits input from the State Archeologist and State Historic Preservation Officer regarding potential impacts to cultural resources.

Our initial finding is that the proposed work would neither affect any species, nor habitat designated as critical to the recovery of any species, listed as endangered by the U.S. Department of Commerce.

Utilizing Standard Local Operating Procedure for Endangered Species in Louisiana (SLOPES), dated October 22, 2014, between the U.S. Army Corps of Engineers, New Orleans and U.S. Fish and Wildlife Service, Ecological Services Office, the Corps has determined that the proposed activity would have no effect on any species listed as endangered by the U.S. Department of Interior.

This notice initiates the Essential Fish Habitat (EFH) consultation requirements of the Magnuson-Stevens Fishery Conservation and Management Act. The applicant's proposal would result in the destruction or alteration of **N/A** acres of **EFH** utilized by various life stages of red drum and penaeid shrimp. Our initial determination is that the proposed action would not have a substantial adverse impact on EFH or federally managed fisheries in the Gulf of Mexico. Our final determination relative to project impacts and the need for mitigation measures is subject to review by and coordination with the National Marine Fisheries Service.

If the proposed work involves deposits of dredged or fill material into navigable waters, the evaluation of the probable impacts will include the application of guidelines established by the Administrator of the Environmental Protection Agency. Also, a certification that the proposed activity will not violate applicable water quality standards will be required from the Department of Environmental Quality before a permit is issued.

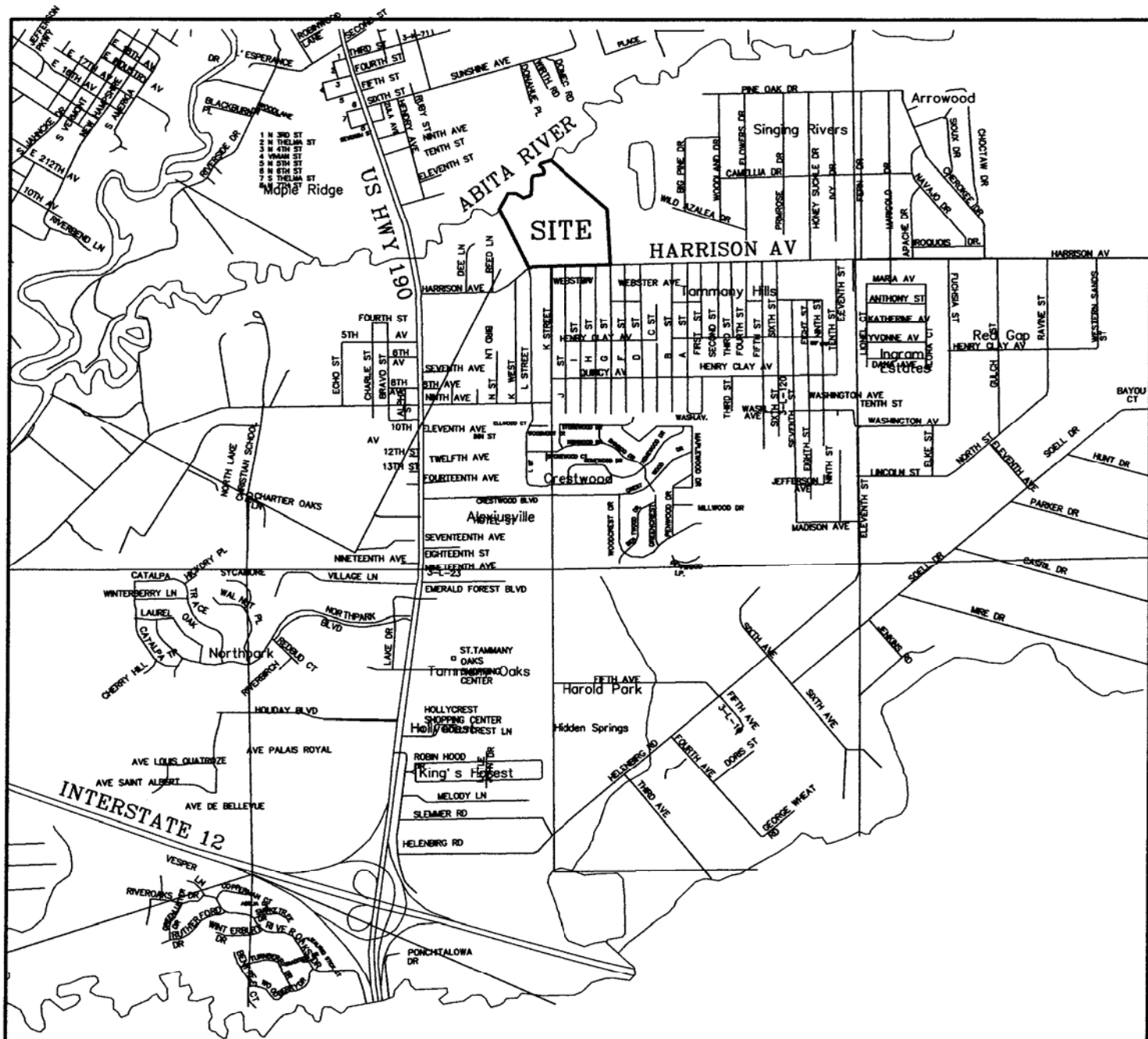
Any person may request, in writing, within the comment period specified in this notice, that a public hearing be held to consider this application. Requests for public hearings shall state, with particularity, the reasons for holding a public hearing.

You are requested to communicate the information contained in this notice to any other parties whom you deem likely to have interest in the matter.

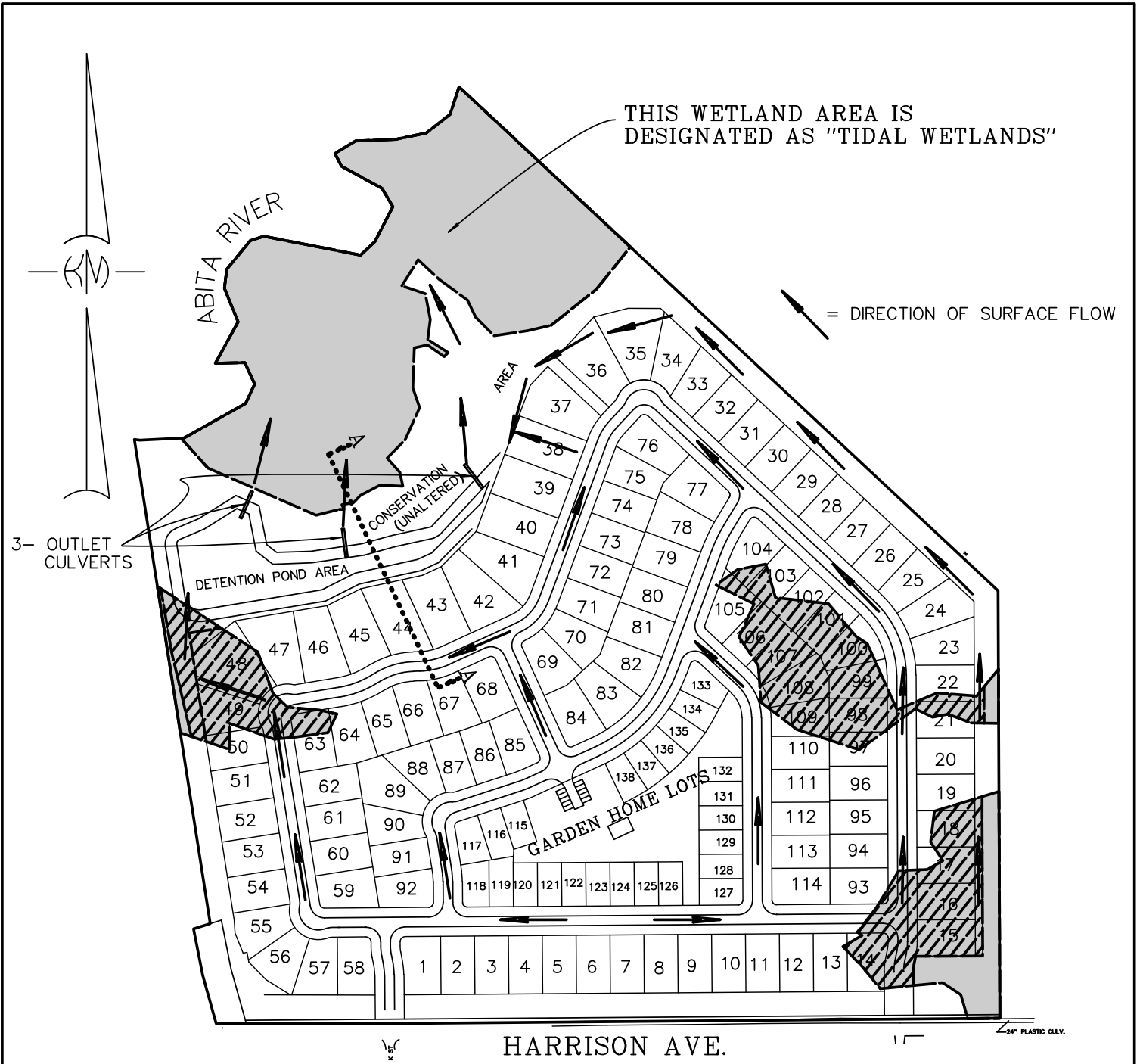
Michael V. Farabee
Chief, Eastern Evaluation Section

Enclosures

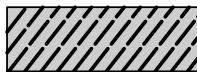
SITE LOCATION MAP FOR ABITA RIVER PARK, ST. TAMMANY PARISH, LA



VICINITY MAP		
SCALE:	N.T.S.	DATE: 04-07-16
DRAWN:	DRJ	JOB NO.: 15-224
REVISED:		

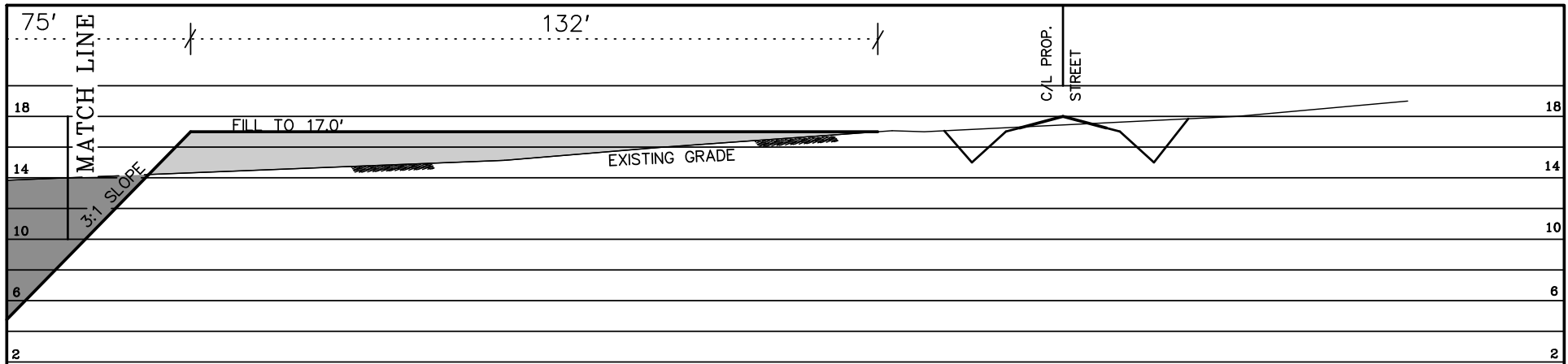


AREA OF WETLANDS
= 13.29 ac.

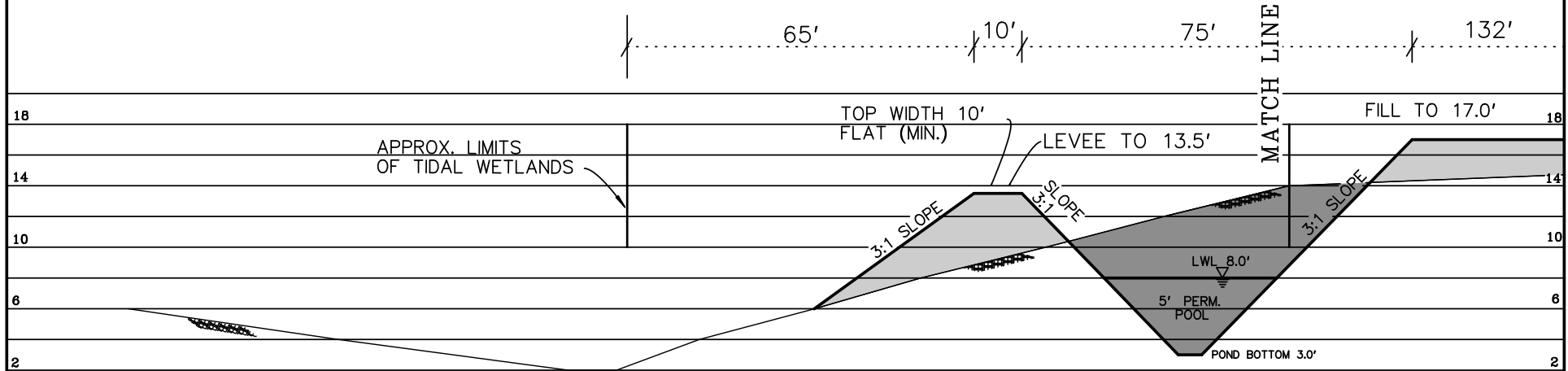


AREA OF IMPACTED
WETLANDS = 4.35 ac.

WETLANDS MAP AND DRAINAGE SCHEMATIC	
SCALE: 1" = 300'	DATE: 02-20-17
DRAWN: DRJ	JOB NO.: 15-224
REVISED: 06-14-17, 07-07-17	



SECTION A-A



CUT & FILL DATA

SECTION A-A

 = AREAS OF FILL

 = AREAS OF EXCAVATION

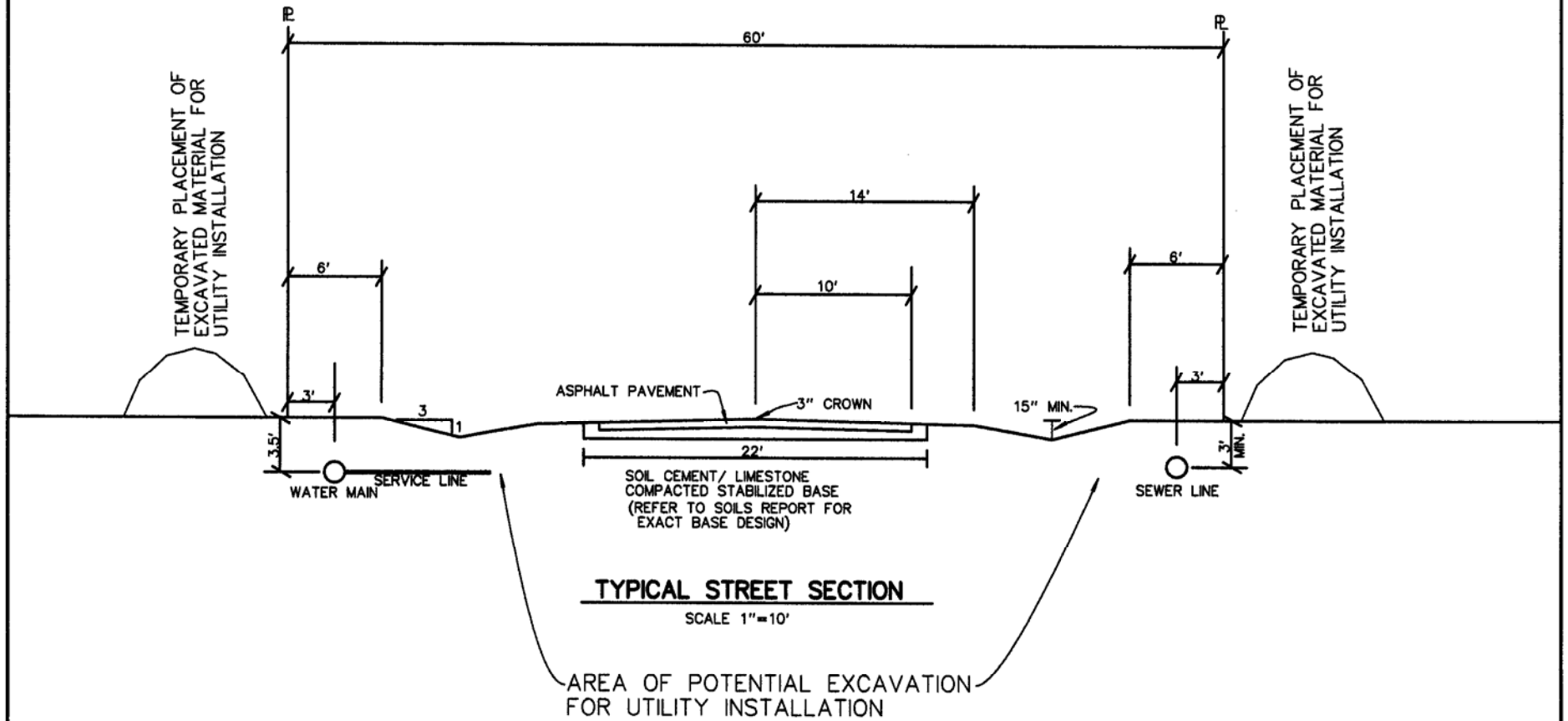
POND SECTION

SCALE H. 1" = 30'
V. 1" = 12'

DATE 02-20-17
JOB NO. 15-224

REVISIONS 06-14-17

TYPICAL STREET CROSS SECTION FOR ABITA RIVER PARK PROJECT, ST. TAMMANY PARISH, LA



TYPICAL STREET SECTION

SCALE 1"=10'

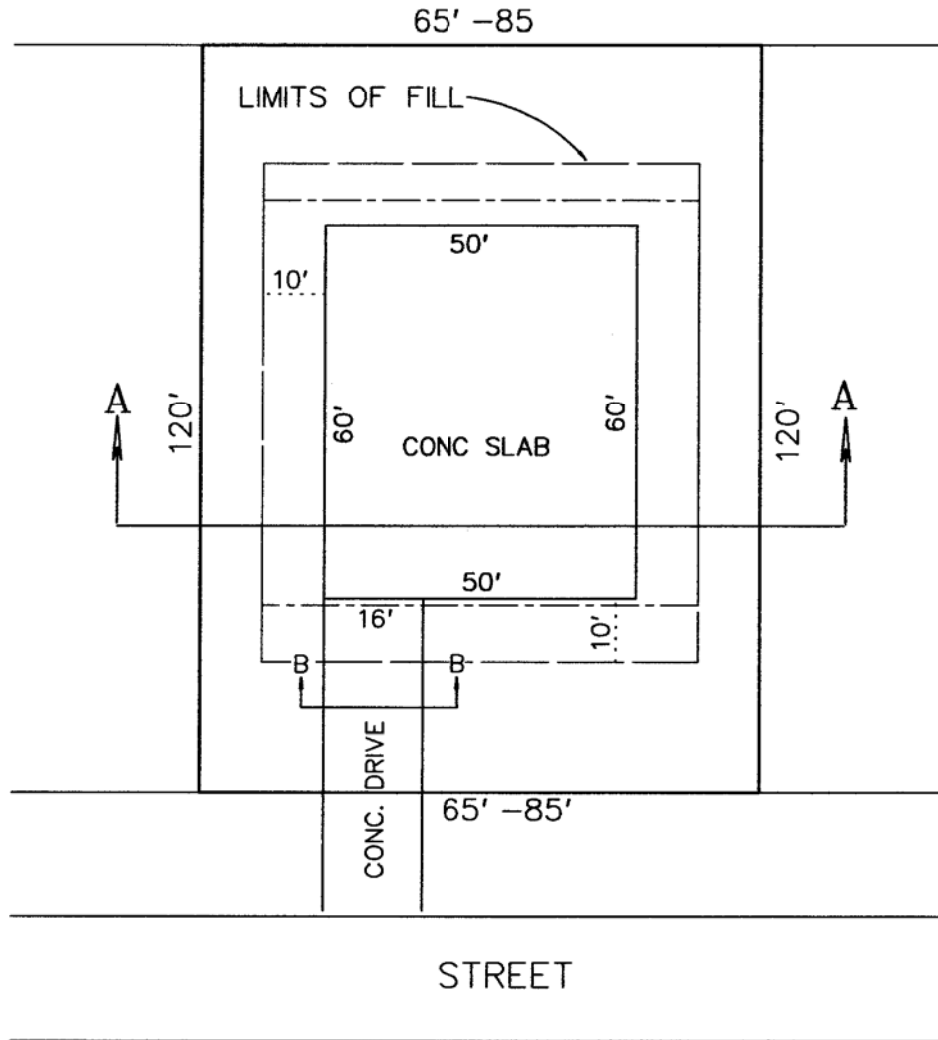
AREA OF POTENTIAL EXCAVATION FOR UTILITY INSTALLATION



TYPICAL STREET SECTION

SCALE	DRJ	DATE	04-06-16
DRAWN	1" = 10'	JOB NO.	15-224
REVISIONS			

ABITA RIVER PARK CONVENTIONAL LOT PLAN VIEW



QUANTITIES

FILL = 151 CU. YD.
 CONCRETE = 74 CU. YD.

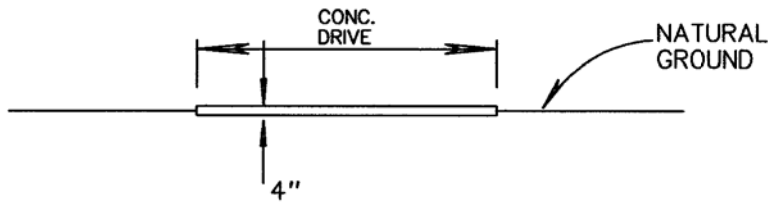
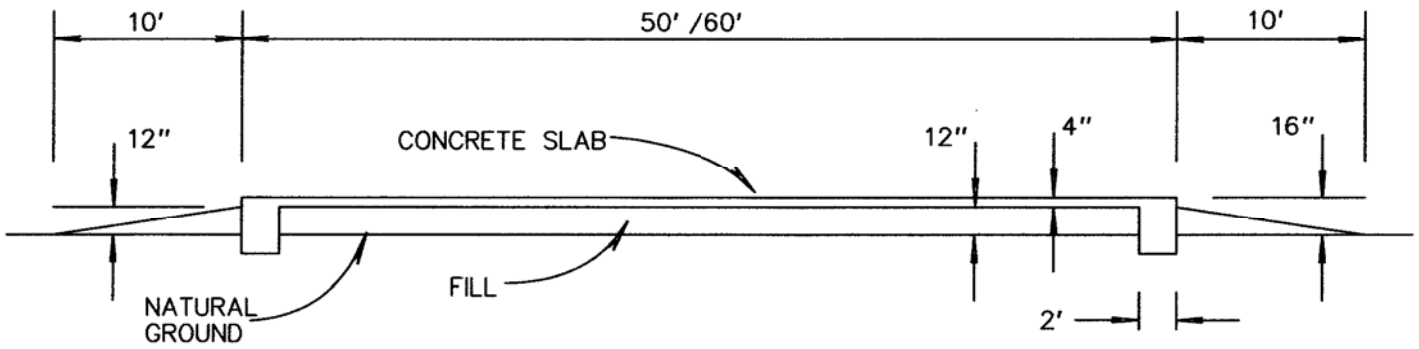


TYPICAL FILL FOR
 CONVENTIONAL LOT

PLAN VIEW

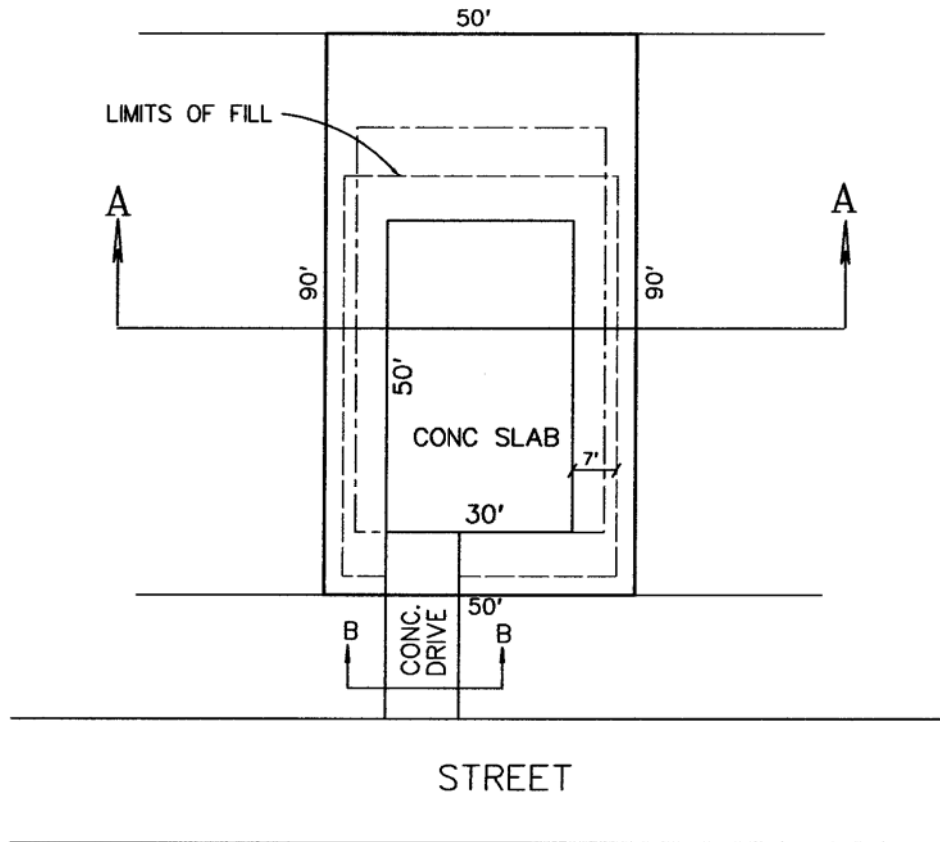
SCALE:	1" = 30'	DATE:	04-06-16
DRAWN:	DRJ	JOB NO.:	15-224
REVISED:			

ABITA SPRINGS PARK CONVENTIONAL LOT CROSS SECTION VIEW



SECTION VIEW CONVENTIONAL LOT	
SCALE: 1" = 10'	DATE: 04-07-16
DRAWN: DRJ	JOB NO.: 15-224
REVISED:	

ABITA RIVER PARK TYPICAL GARDEN HOME LOT LAYOUT



QUANTITIES

FILL = 80 CU. YD.
 CONCRETE = 40 CU. YD.

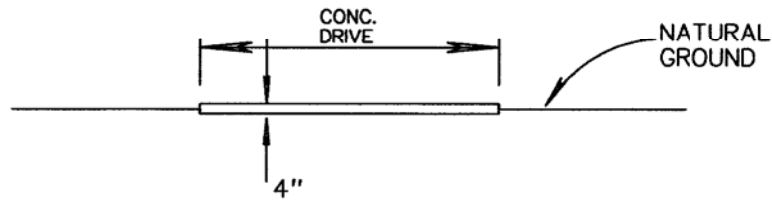
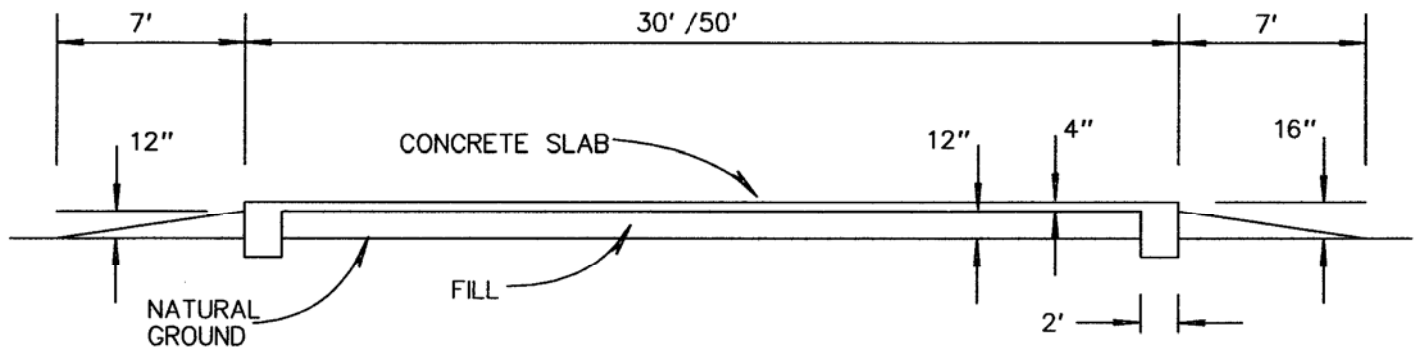


TYPICAL FILL FOR
 GARDEN HOME LOT

PLAN VIEW

SCALE:	1" = 30'	DATE:	04-06-16
DRAWN:	DRJ	JOB NO.:	15-224
REVISED:			

ABITA RIVER PARK GARDEN HOME LOT CROSS SECTION VIEW



SECTION VIEW GARDEN HOME LOT	
SCALE: 1" = 10'	DATE: 04-07-16
DRAWN: DRJ	JOB NO.: 15-224
REVISED:	