



DEPARTMENT OF THE ARMY
U.S. ARMY CORPS OF ENGINEERS, NEW ORLEANS DISTRICT
7400 LEAKE AVE
NEW ORLEANS, LA 70118-3651

July 29, 2024

Regulatory Division
Central Evaluation Branch

Project Manager:
Dirreen Arnold
(504) 862-2301
dirreen.s.arnold@usace.army.mil

Application #: MVN-2016-00979-CA
408 Application #: 2024-0731

PUBLIC NOTICE

Interested parties are hereby notified that a permit application has been received by the New Orleans District of the U.S. Army Corps of Engineers pursuant to: [X] Section 10 of the Rivers and Harbors Act of March 3, 1899 (30 Stat. 1151; 33 USC 403); and/or [X] Section 404 of the Clean Water Act (86 Stat. 816; 33 USC 1344), and/or [X] Section 14 of the Rivers and Harbors Act of 1899 (33 U.S.C. Section 408).

PROPOSED BURNSIDE MARINE FACILITY FLOATING DOCK BARGE **MISSISSIPPI RIVER, LDB, MM 169.20** **ASCENSION PARISH**

NAME OF APPLICANT: VEOLIA NORTH AMERICA, c/o Duplantis Design Group,
Attn: Brad Hester, 314 East Bayou Road, Thibodaux, Louisiana, 70301.

LOCATION OF WORK: Mississippi River, left descending bank, Mile Marker 169.20, near Darrow, Louisiana, (30.124166, -90.915277), in Ascension Parish, within the Mississippi River Basin in hydrologic unit (HUC 08070100), as shown on the attached drawings.

CHARACTER OF WORK: The applicant has requested Department of the Army authorization to install and maintain a 60-ft by 150-ft floating dock, four (4) 60-inch support monopiles, and two (2) 48-inch pipe rack support piles, all for maintenance of a dilapidated structure associated with the existing marine facility/dock area. Approximately 250 cubic yards of rip-rap material will be installed around the monopoles.

MITIGATION: The applicant states that the proposed project has been designed to avoid and minimize direct and secondary adverse impacts to the maximum amount practicable. No permanent impacts to vegetated wetlands are expected, and no mitigation is anticipated.

The comment period for the Department of the Army Permit will close **30 days** from the date of this public notice. Written comments, including suggestions for modifications or objections to the proposed work, stating reasons thereof, are being solicited from anyone having interest in this permit must be mailed so as to be received before or by the last day of the comment period. Letters concerning the Corps of Engineers permit application must reference the applicant's name and the Permit Application Number and be preferably emailed to the Corps of Engineers project manager listed above or mailed to the Corps of Engineers at the address above, **ATTENTION: REGULATORY DIVISION, RGC, Dirreen Arnold**. This public notice is also available for review online at <https://go.usa.gov/xennJ>

Corps of Engineers Permit Criteria

The decision whether to issue a permit will be based on an evaluation of the probable impacts, including cumulative impacts of the proposed activity on the public interest. That decision will reflect the national concern for both protection and utilization of important resources. The benefit which reasonably may be expected to accrue from the proposal must be balanced against its reasonably foreseeable detriments. All factors which may be relevant to the proposal will be considered including the cumulative effects thereof; among those are conservation, economics, aesthetics, general environmental concerns, wetlands, historic properties, fish and wildlife values, flood hazards, floodplain values, land use, navigation, shoreline erosion and accretion, recreation, water supply and conservation, water quality, energy needs, safety, food and fiber production, mineral needs, considerations of property ownership and, in general, the needs and welfare of the people.

This request will also be reviewed pursuant to Section 408 and USACE Engineering Circular (EC) 1165-2-220, which provides policy and procedural guidance for processing requests to alter USACE civil works projects.

The decision whether to grant permission for the requested alteration will be based on several factors. The benefits that reasonably may be expected to accrue from the proposal will be balanced against its reasonably foreseeable detriments. Review of the requests for modification will be reviewed by a USACE technical review team considering the following factors:

1) Potential to Impair the Usefulness of the Project. Proposed alterations will be reviewed to determine whether the alteration would limit the ability of the USACE project to function as authorized, or would compromise or change any authorized project conditions, purposes or outputs. If USACE determines that the usefulness of the authorized project would be impaired, the request will be denied.

2) Potential to be Injurious to the Public Interest. Proposed alterations will be reviewed to determine the probable impacts, including cumulative impacts, on the public interest. Factors that may be relevant to the public interest depend upon the type of USACE project being altered and may include, but are not limited to, such things as conservation,

economic development, historic properties, cultural resources, environmental impacts, water supply, water quality, flood hazards, floodplains, residual risk, induced damages, navigation, shore erosion or accretion, and recreation. This evaluation will consider information received from the interested parties, including tribes, agencies, and the public. The decision whether to approve an alteration will be determined by the consideration of whether benefits are commensurate with risks. If the potential detriments are found to outweigh the potential benefits, then it may be determined that the proposed alteration is injurious to the public interest.

The U.S. Army Corps of Engineers is soliciting comments from the public, federal, state, and local agencies and officials, Indian Tribes, and other interested parties in order to consider and evaluate the impacts of this proposed activity. Any comments received will be considered by the U.S. Army Corps of Engineers to determine whether to make, modify, condition, or deny a permit for this proposal. To make this decision, comments are used to assess impacts on endangered species, historic properties, water quality, general environmental effects, and other public interest factors listed above. Comments are used in the preparation of an Environmental Assessment and/or an Environmental Impact Statement pursuant to the National Environmental Policy Act. Comments are also used to determine the need for a public hearing and to determine the overall public interest of the proposed activity. Further, all factors that may be relevant to the proposal will be considered, including the potential cumulative effects associated with the proposed project. The Section 408 review will consider the potential impact to the usefulness of the Federal project and whether the proposed alteration would be injurious to the public interest. Policy and legal compliance will also be considered.

The New Orleans District is presently unaware of properties listed on the National Register of Historic Places near the proposed work. The possibility exists that the proposed work may damage or destroy presently unknown archeological, scientific, pre-historical, historical sites, or data. As deemed necessary, copies of this public notice will be sent to the State Archeologist, State Historic Preservation Officer, and federally listed tribes regarding potential impacts to cultural resources.

Our initial finding is that the proposed work is Not Likely to Adversely Affect any species as endangered by the U.S. Department of Commerce, nor affect any habitat designated as critical to the survival and recovery of any endangered species.

The New Orleans District has determined that the proposed project is located in waters known to be utilized by the pallid sturgeon (*Scaphirhynchus albus*) and determined that the proposed activity is not likely to adversely affect the species based on the Information Planning and Consultation (IPaC) procedure for Endangered Species in Louisiana, as signed on January 27, 2020, between the U.S. Army Corps of Engineers, New Orleans, and the U.S. Fish and Wildlife Service.

This notice initiates the Essential Fish Habitat (EFH) consultation requirements of the Magnuson-Stevens Fishery Conservation and Management Act. The applicant's proposal may result in the destruction or alteration of 0.0 acres of EFH utilized by

various life stages of red drum and penaeid shrimp. Our initial determination is that the proposed action would not have a substantial adverse impact on EFH or federally managed fisheries in the Gulf of Mexico. Our final determination relative to project impacts and the need for mitigation measures is subject to review by and coordination with the National Marine Fisheries Service.

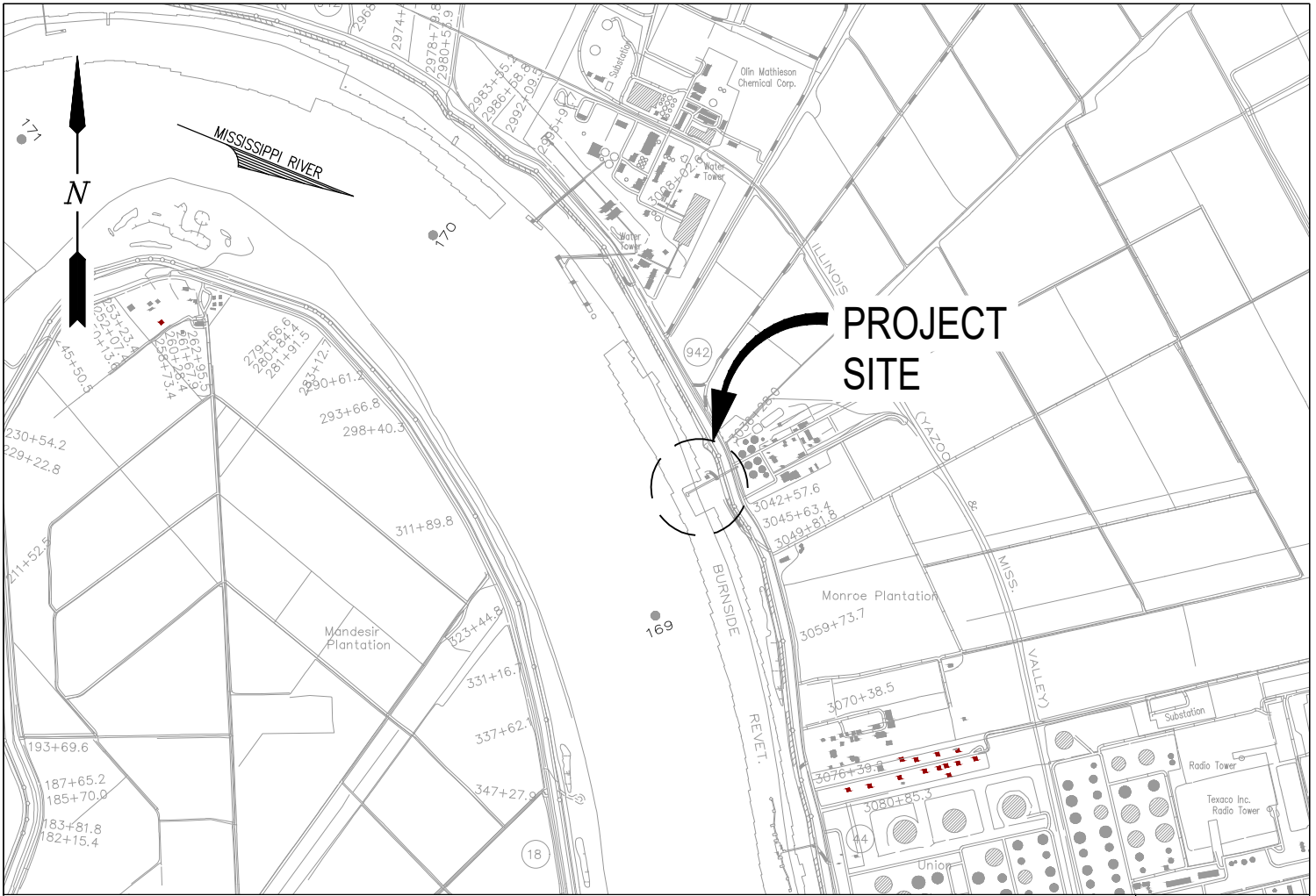
If the proposed work involves deposits of dredged or fill material into navigable waters, the evaluation of the probable impacts will include the application of guidelines established by the Administrator of the Environmental Protection Agency. Also, a certification that the proposed activity will not violate applicable water quality standards will be required from the Louisiana Department of Environmental Quality, Office of Environmental Services, before a permit is issued.

Any person may request, (preferably by email to the project manager, or in writing), within the comment period specified in this notice, that a public hearing be held to consider this application. Requests for public hearings shall state, with particularity, the reasons for holding a public hearing.

You are invited to communicate the information contained in this notice to any other parties whom you deem likely to have interest in the matter.

John M. Herman
Chief, Central Evaluation Branch
Regulatory Division

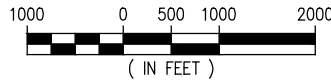
Enclosures



VICINITY MAP

SCALE: 1" = 2000'

ASCENSION PARISH
LAT: 30° 07' 27" N
LONG: 90° 54' 55" W



AREA MAP

NOTES

1. NO IMPACTS TO RARE, THREATENED OR ENDANGERED SPECIES OR CRITICAL HABITATS ARE ANTICIPATED FROM THE PROPOSED PROJECT. NO STATE OR FEDERAL PARKS, WILDLIFE REFUGES, WILDLIFE MANAGEMENT AREAS OR SCENIC RIVERS ARE KNOWN AT THE SPECIFIED SITE OR WITHIN ¼ MILE OF THE PROPOSED PROJECT. THE WILDLIFE DIVERSITY PROGRAM (WDP) REPORTS SUMMARIZE THE EXISTING INFORMATION KNOWN AT THE TIME OF THE REQUEST REGARDING THE LOCATION IN QUESTION. WDP REPORTS SHOULD NOT BE CONSIDERED FINAL STATEMENTS ON THE BIOLOGICAL ELEMENTS OR AREAS BEING CONSIDERED, NOR SHOULD THEY BE SUBSTITUTED FOR ON-SITE SURVEYS REQUIRED FOR ENVIRONMENTAL ASSESSMENTS. IF AT ANY TIME WPD TRACKED SPECIES ARE ENCOUNTERED WITHIN THE PROJECT AREA, PLEASE CONTACT OUR BIOLOGIST AT 225-763-3554.
2. AS-BUILT DRAWINGS AND/OR PLATS SHALL HAVE WRITTEN ON THEM THE DATE OF COMPLETION OF SAID ACTIVITIES AND SHALL BE SUBMITTED TO THE LOUISIANA DEPARTMENT OF NATURAL RESOURCES, OFFICE OF COASTAL MANAGEMENT, P. O. BOX 44487, BATON ROUGE, LA 70804-4487 WITHIN 30 DAYS FOLLOWING PROJECT COMPLETION.
3. ALL STRUCTURES BUILT UNDER THE AUTHORIZATION AND CONDITIONS OF THIS PERMIT SHALL BE REMOVED FROM THE SITE WITHIN 120 DAYS OF ABANDONMENT OF THE FACILITIES FOR THE HEREIN PERMITTED USE, OR WHEN THESE STRUCTURES FALL INTO A STATE OF DISREPAIR SUCH THAT THEY CAN NO LONGER FUNCTION AS INTENDED. THIS CONDITION DOES NOT PRECLUDE THE NECESSITY FOR REVISING THE CURRENT PERMIT OR OBTAINING A SEPARATE COASTAL USE PERMIT, SHOULD ONE BE REQUIRED, FOR SUCH REMOVAL ACTIVITIES.
4. STRUCTURES MUST ALSO BE MARKED/LIGHTED IN ACCORDANCE WITH U. S. COAST GUARD REGULATIONS.
5. IN ORDER TO ENSURE THE SAFETY OF ALL PARTIES, THE PERMITTEE SHALL CONTACT THE LOUISIANA ONE CALL SYSTEM (1-800-272-3020) A MINIMUM OF 48 HOURS PRIOR TO THE COMMENCEMENT OF ANY EXCAVATION (DIGGING, DREDGING, JETTING, ETC.) OR DEMOLITION ACTIVITY.
6. ALL ELEVATIONS REFER TO NAVD 88 UNLESS NOTED OTHERWISE.

ALBERT R. FAVALORA III
LA PE #35134

PRELIMINARY - FOR PERMITTING PURPOSES ONLY, NOT FOR CONSTRUCTION

REV
A



LANIER & ASSOCIATES
CONSULTING ENGINEERS, INC.

LA: EF-1120 TX: F-2981
VF-185 LSF-10194817

NEW ORLEANS • BEAUMONT • CORPUS CHRISTI • HOUSTON • MANDEVILLE

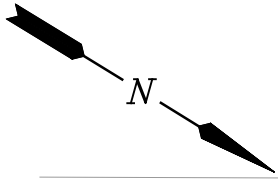
DARROW

VEOLIA

LOUISIANA

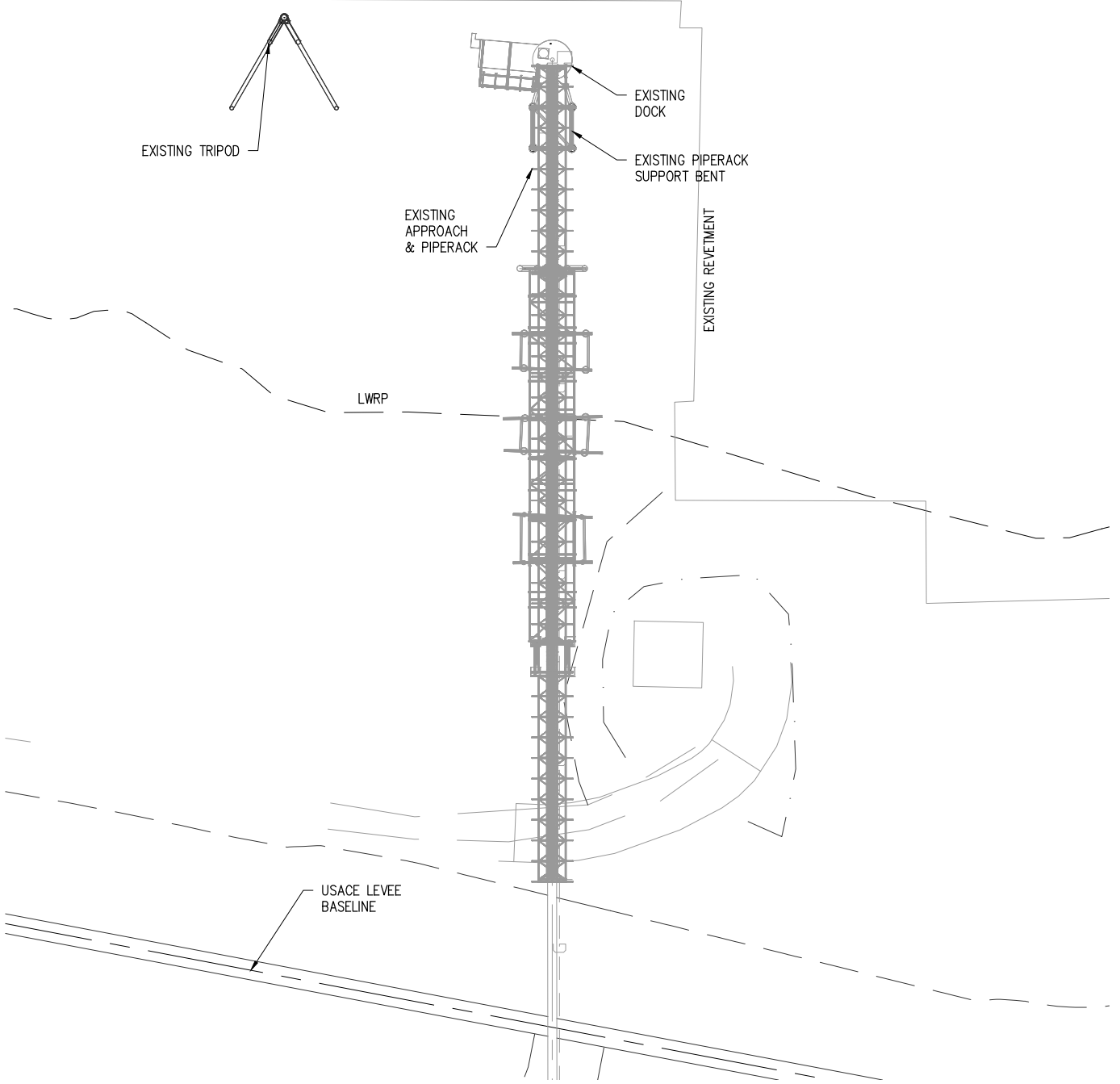
**BURNSIDE MARINE FACILITY
FLOATING BARGE DOCK
VICINITY MAP, AREA MAP & NOTES**

DATE NOV. '23
DESIGN ARF
DRAWN SWF
CHECK ARF
JOB NO 12639
SHEET No.
1 OF 6



MILE POINT
169.2

MISSISSIPPI RIVER



EXISTING SITE PLAN

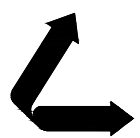
SCALE: 1" = 80'



ALBERT R. FAVALORA III
LA PE #35134

PRELIMINARY - FOR PERMITTING PURPOSES ONLY, NOT FOR CONSTRUCTION

REV
A



LANIER & ASSOCIATES
CONSULTING ENGINEERS, INC.

LA: EF-1120 TX: F-2981
VF-185 LSF-10194817

NEW ORLEANS • BEAUMONT • CORPUS CHRISTI • HOUSTON • MANDEVILLE

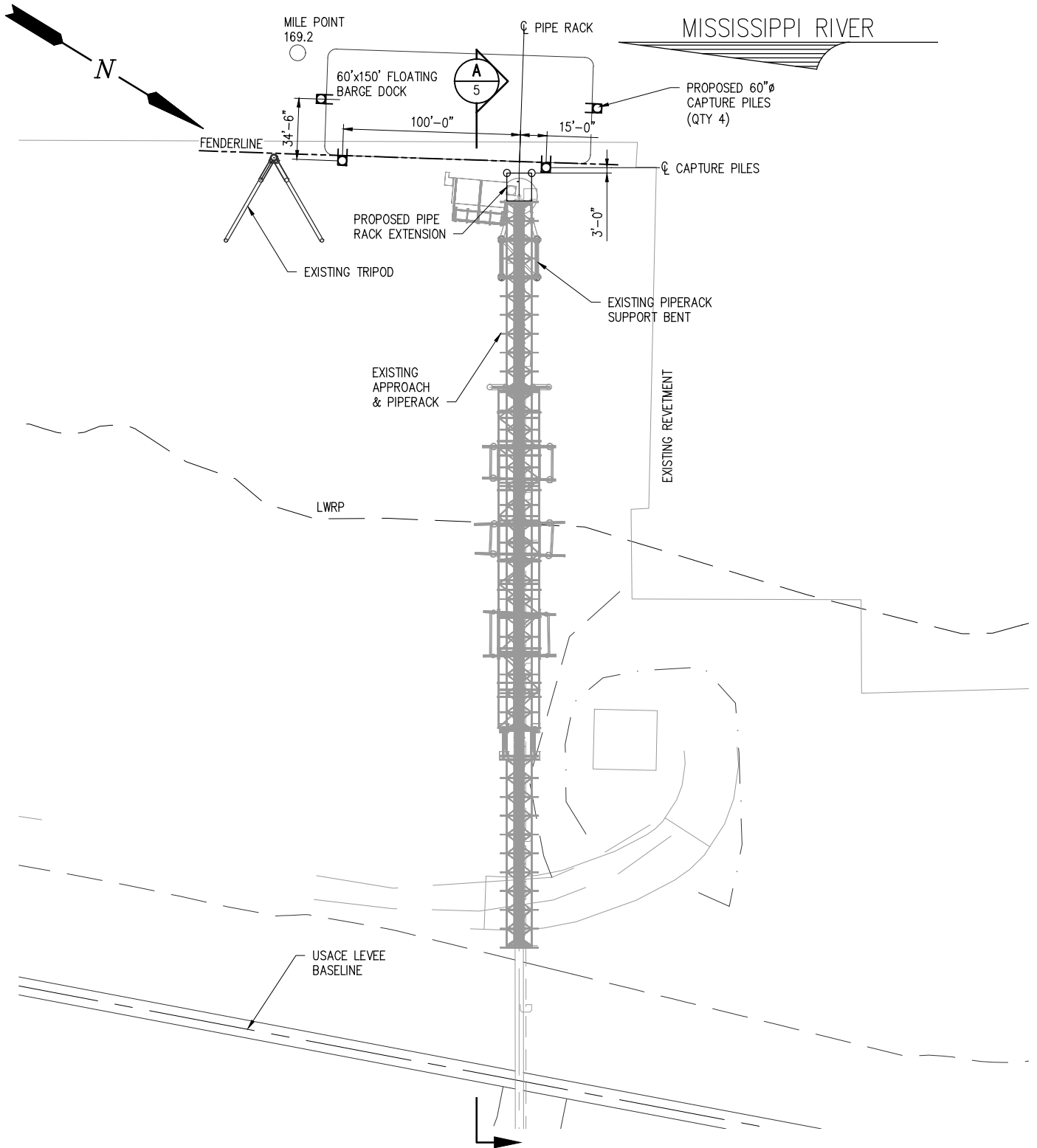
DARROW

VEOLIA

LOUISIANA

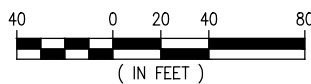
**BURNSIDE MARINE FACILITY
FLOATING BARGE DOCK
EXISTING SITE PLAN**

DATE	NOV. 23
DESIGN	ARF
DRAWN	SWF
CHECK	ARF
JOB NO	12639
SHEET No.	2 OF 6



PROPOSED NEW SITE PLAN

SCALE: 1" = 80'



ALBERT R. FAVALORA III
LA PE #35134

PRELIMINARY - FOR PERMITTING PURPOSES ONLY, NOT FOR CONSTRUCTION

REV
A



LANIER & ASSOCIATES
CONSULTING ENGINEERS, INC.

LA: EF-1120 TX: F-2981
VF-185 LSF-10194817

NEW ORLEANS • BEAUMONT • CORPUS CHRISTI • HOUSTON • MANDEVILLE

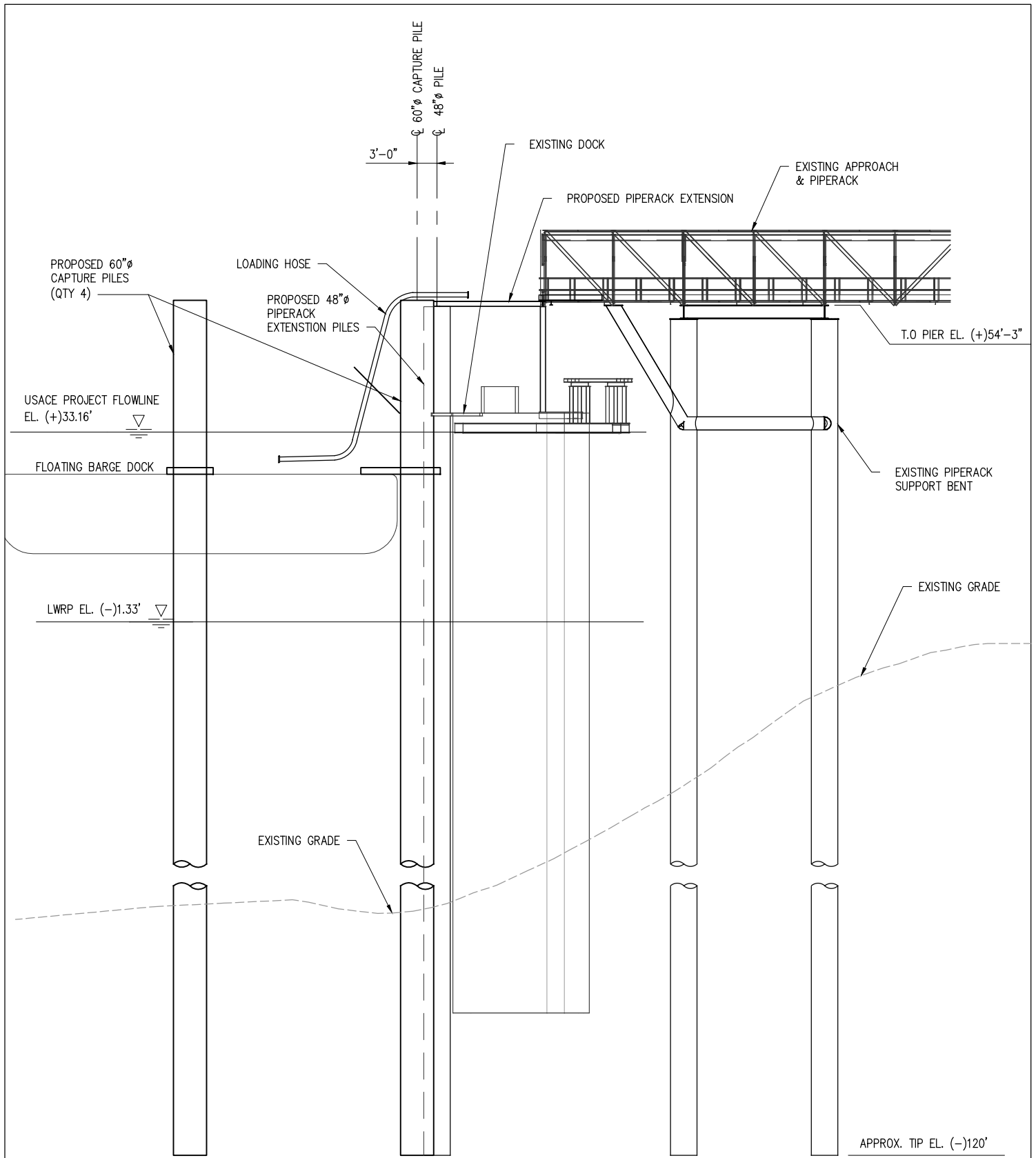
DARROW

VEOLIA

STATE

**BURNSIDE MARINE FACILITY
FLOATING BARGE DOCK
PROPOSED NEW SITE PLAN**

DATE	NOV. 23
DESIGN	ARF
DRAWN	SWF
CHECK	ARF
JOB NO.	12639
SHEET No.	3 OF 6



SECTION THROUGH DOCK / PIPE RACK

SCALE: 1" = 20'

ALBERT R. FAVALORA III
LA PE #35134

PRELIMINARY - FOR PERMITTING PURPOSES ONLY, NOT FOR CONSTRUCTION

REV
A



LANIER & ASSOCIATES
CONSULTING ENGINEERS, INC.

LA: EF-1120 TX: F-2981
VF-185 LSF-10194817

NEW ORLEANS • BEAUMONT • CORPUS CHRISTI • HOUSTON • MANDEVILLE

DARROW

VEOLIA

STATE

**BURNSIDE MARINE FACILITY
FLOATING BARGE DOCK
SECTION THROUGH DOCK / PIPE RACK**

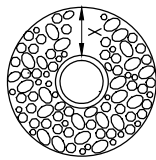
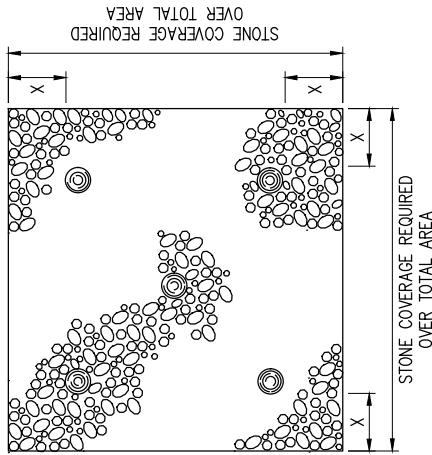
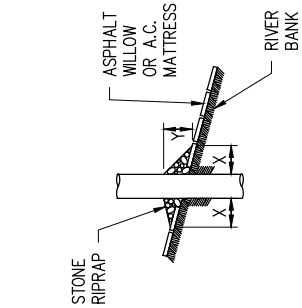
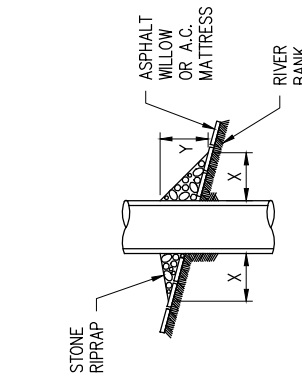
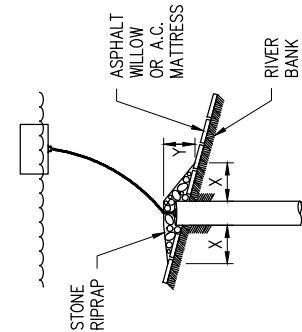
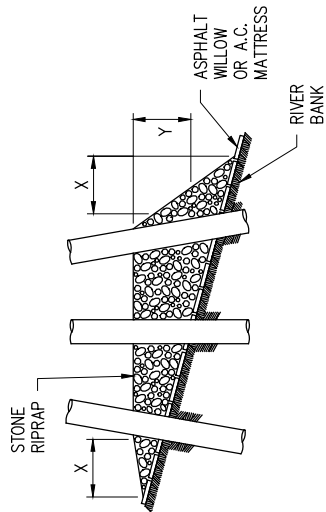
DATE	NOV. 23
DESIGN	ARF
DRAWN	SWF
CHECK	ARF
JOB NO	12639
SHEET No.	
	4 OF 6

PILE

CAISSON

SPUD PILE
(BOUY AND ANCHOR CHAIN)

PILE CLUSTER



NOTES:

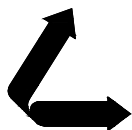
1. SIZE OF RIPRAP TO VARY BETWEEN 6 POUNDS AND 125 POUNDS WITH 40 PERCENT TO 60 PERCENT OF THE STONE WITHIN THE RANGE OF 25 POUNDS TO 75 POUNDS.
2. WHEN PENETRATING THE UPPER BANK PAVING IN A REVETMENT AREA WITH PILES, CAISSONS AND/OR PILE CLUSTERS, A 10 INCH THICK RIPRAP STONE LAYER SHALL BE PLACED OVER ALL AREAS WHERE THE BANK PAVING IS DISTURBED BY DRIVING OPERATIONS.
3. WHEN USING AN ANCHOR CHAIN AND BUOY SYSTEM, THE ANCHOR CHAIN MUST BE ATTACHED AT THE TOP OF THE PILE TO MINIMIZE REVETMENT DAMAGE.

DEPTH OF WATER IN FEET AT POINT OF PENETRATION AT TIME OF STONE PLACEMENT	DIMENSIONS IN FEET FOR PROTECTION AREA REQUIRED									
	PILE		CAISSON			SPUD PILE (BUOY AND ANCHOR CHAIN)			PILE CLUSTER	
	X	Y	X	Y	X	Y	X	Y	X	Y
1' - 10'	3	1.5	5	2					3	1
11' - 40'	5	2	8	3	7	3			6	2
41' - 60'	8	3	12	4	12	4			10	3

ALBERT R. FAVAORA III
LA PE #35134

PRELIMINARY - FOR PERMIT PURPOSES ONLY

REV
A



LANIER & ASSOCIATES
CONSULTING ENGINEERS
INCORPORATED

LA: EF-1120 TX: F-2981
NEW ORLEANS • BEAUMONT • CORPUS CHRISTI • HOUSTON

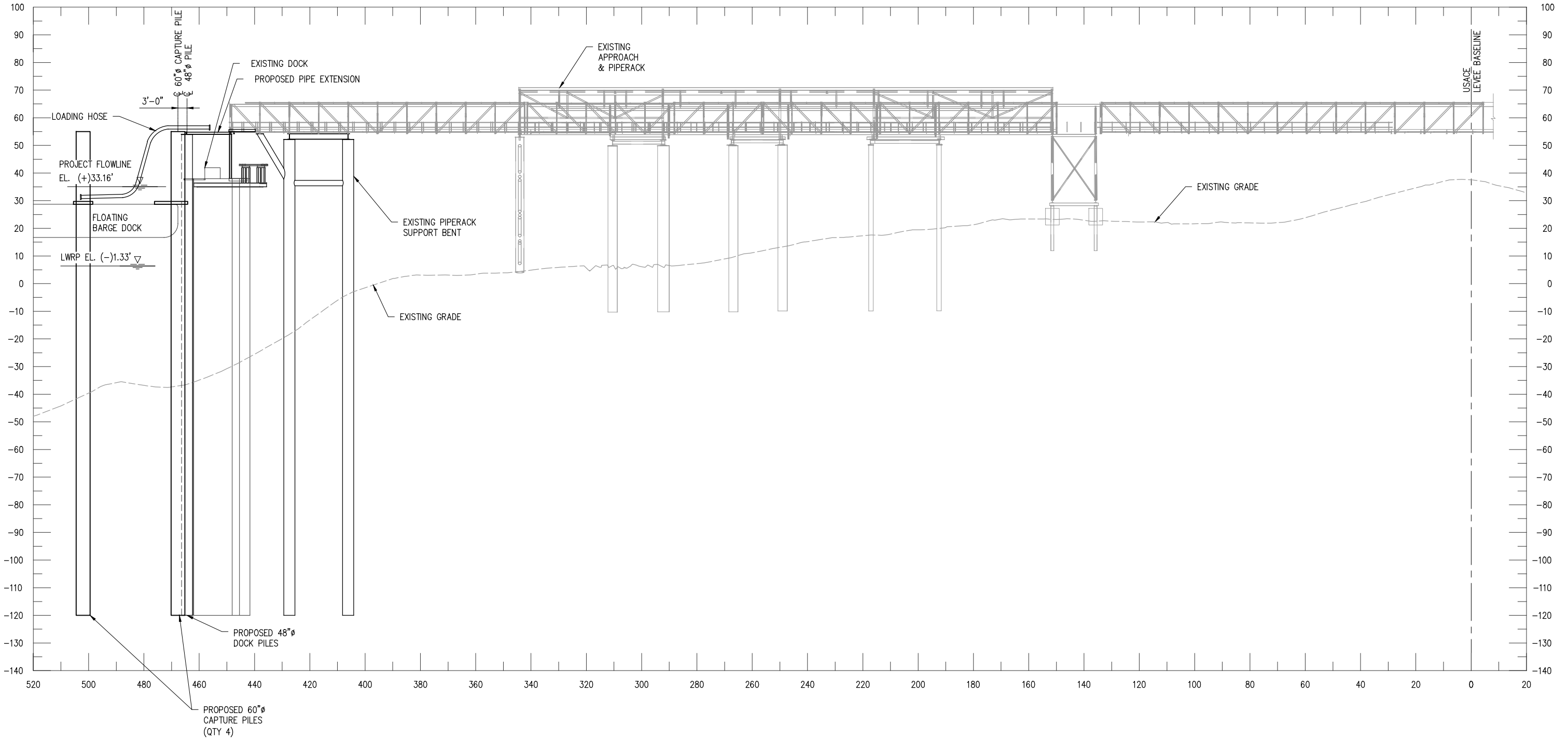
DARROW

VEOLIA

LOUISIANA

**BURNSIDE MARINE FACILITY
FLOATING BARGE DOCK
STANDARD REVETMENT REPAIR DETAILS**

DATE NOV. '23
DESIGN ARF
DRAWN MEW
CHECK ARF
JOB NO 12639
SHEET No.
5 OF 6



SECTION A
SCALE: 1" = 40'

LANIER & ASSOCIATES
CONSULTING ENGINEERS, INC.
LA: EF-1120 TX: F-2981
VF-185 LSF-10194817
NEW ORLEANS • BEAUMONT • CORPUS CHRISTI • HOUSTON • MANDEVILLE

REV	DATE	BY	DESCRIPTION	REV	DATE	BY	DESCRIPTION

THIS DOCUMENT IS RELEASED FOR THE PURPOSE OF PERMITTING UNDER THE AUTHORITY OF ALBERT R. FAVALORA, P.E. 35134 ON 11/30/23. IT IS NOT TO BE USED FOR BIDDING OR CONSTRUCTION PURPOSES.

ALBERT R. FAVALORA III
LA PE #35134

DATE NOV. 23
SHT SIZE 11"x17"
DESIGN ARF
DRAWN SWF
CHECK ARF
APPR'D *
JOB NO 12639

PRELIMINARY - FOR PERMITTING PURPOSES ONLY, NOT FOR CONSTRUCTION

DARROW **VEOLIA** LOUISIANA
BURNSIDE MARINE FACILITY
FLOATING BARGE DOCK
SECTION

SHEET NO.
6