

# JOINT PUBLIC NOTICE

August 3, 2015

United States Army  
Corps of Engineers  
New Orleans District  
Regulatory Branch  
Post Office Box 60267  
New Orleans, Louisiana 70160-0267

State of Louisiana  
Department of Environmental Quality  
Water Quality Certifications Section  
Post Office Box 4313  
Baton Rouge, Louisiana 70821-4313

(504) 862-1588  
Project Manager: Doris Terrell  
[Doris.Terrell@usace.army.mil](mailto:Doris.Terrell@usace.army.mil)  
Permit Application Number: MVN-2015-1219-CU

(225) 219-3225  
Project Manager: Elizabeth Johnson  
WQC Application Number: WQC 150731-02

Interested parties are hereby notified that a permit application has been received by the New Orleans District of the U.S. Army Corps of Engineers pursuant to: [ ] Section 10 of the Rivers and Harbors Act of March 3, 1899 (30 Stat. 1151; 33 USC 403); and/or [X] Section 404 of the Clean Water Act (86 Stat. 816; 33 USC 1344).

Application has also been made to the Louisiana Department of Environmental Quality for a Water Quality Certification (WQC) in accordance with statutory authority contained in Louisiana Revised Statutes of 1950, Title 30, Chapter 11, Part IV, Section 2074 A(3) and provisions of Section 401 of the Clean Water Act (P.L.95-17).

## **CLEARING, GRADING, EXCAVATION AND FILL IN ASCENSION PARISH**

**NAME OF APPLICANT:** Hidden Cove, L.L.C., c/o Chenier Environmental Consulting, L.L.C., ATTN: Aaron S. Bass, Post Office Box 82466, Baton Rouge, Louisiana 70884

**LOCATION OF WORK:** Wetlands near the intersection of North Burnside Avenue (Highway 44) and Wallace Acres Road, in Section 4, Township 9 South – Range 3 East, within the Lake Pontchartrain – Lake Maurepas Basin (HUC 08070204), near Gonzales, Louisiana, in ASCENSION PARISH, as shown on the attached drawings.

**CHARACTER OF WORK:** Clear, grad, excavate and place fill in an area to construct a single-family residential subdivision (Hidden Cove). The proposed project consists of the excavation and deposition of fill to construct 35 lots, including asphalt road, sidewalks, curbs, gutters, utility and drainage servitudes, detention pond, common areas and green spaces. Approximately 2,262 cubic yards of earthen material will be deposited during construction of the project, as shown on the drawings. Preliminary review of the information furnished by the applicant indicates that approximately 4.12 acres of jurisdictional wetlands will be directly impacted by project implementation.

The applicant has designed the project to avoid and minimize direct and secondary adverse impacts to the maximum extent practicable. As compensation for unavoidable wetland impacts, the applicant proposes to mitigate in-kind wetland credits from a Corps approved mitigation bank located in the watershed.

The comment period for the Department of the Army Permit and the Louisiana Department of Environmental Quality WQC will close **20 days** from the date of this joint public notice. Written comments, including suggestions for modifications or objections to the proposed work, stating reasons thereof, are being solicited from anyone having interest in this permit and/or this WQC request and must be mailed so as to be received before or by the last day of the comment period.

Letters concerning the Corps of Engineers permit application must reference the applicant's name and the Permit Application Number, and be mailed to the Corps of Engineers at the address above, **ATTENTION: REGULATORY BRANCH**. Individuals or parties may request an extension of time in which to comment on the proposed work by writing or emailing the project manager listed above. Any request must be specific and substantively supportive of the requested extension, and received by this office prior to the end of the initial comment period. The Section Chief will review the request and the requestor will be promptly notified of the decision to grant or deny the request. If granted, the time extension will be continuous to the initial comment period and, inclusive of the initial comment period, will not exceed a total of 30 calendar days. Similar letters concerning the Water Quality Certification must reference the applicant's name and the WQC Application number and be mailed to the Louisiana Department of Environmental Quality at the address above.

The application for this proposed project is on file with the Louisiana Department of Environmental Quality and may be examined during weekdays between 8:00 a.m. and 5:00 p.m. Copies may be obtained upon payment of costs of reproduction.

### **Corps of Engineers Permit Criteria**

The decision whether to issue a permit will be based on an evaluation of the probable impacts, including cumulative impacts of the proposed activity on the public interest. That decision will reflect the national concern for both protection and utilization of important resources. The benefit which reasonably may be expected to accrue from the proposal must be balanced against its reasonably foreseeable detriments. All factors which may be relevant to the proposal will be considered including the cumulative effects thereof; among those are conservation, economics, aesthetics, general environmental concerns, wetlands, historic properties, fish and wildlife values, flood hazards, floodplain values, land use, navigation, shoreline erosion and accretion, recreation, water supply and conservation, water quality, energy needs, safety, food and fiber production, mineral needs, considerations of property ownership and, in general, the needs and welfare of the people.

The U.S. Army Corps of Engineers is soliciting comments from the public, federal, state, and local agencies and officials, Indian Tribes, and other interested parties in order to consider and evaluate the impacts of this proposed activity. Any comments received will be considered by the U.S. Army Corps of Engineers to determine whether to make, modify, condition, or deny a permit for this proposal. To make this decision, comments are used to assess impacts on endangered species, historic properties, water quality, general environmental effects, and other public interest factors listed above. Comments are used in the preparation of an Environmental Assessment and/or an Environmental Impact Statement pursuant to the National Environmental Policy Act. Comments are also used to determine the need for a public hearing and to determine the overall public interest of the proposed activity.

The New Orleans District is unaware of properties listed on the National Register of Historic Places near the proposed work. The possibility exists that the proposed work may damage or destroy presently unknown archeological, scientific, prehistorical, historical sites, or data. Issuance of this public notice solicits input from the State Archeologist and State Historic Preservation Officer regarding potential impacts to cultural resources.

Our initial finding is that the proposed work would neither affect any species listed as endangered by the U.S. Departments of Interior or Commerce, nor affect any habitat designated as critical to the survival and recovery of any endangered species. Utilizing Standard Local Operating Procedure for Endangered Species in Louisiana (SLOPES), dated October 22, 2014, between the U.S. Army Corps of Engineers, New Orleans and U.S. Fish and Wildlife Service, Ecological Services Office, the Corps has determined that the proposed activity would have no effect on any listed species.

This notice initiates the Essential Fish Habitat (EFH) consultation requirements of the Magnuson-Stevens Fishery Conservation and Management Act. The applicant's proposal would result in the destruction or alteration of 0 acre(s) of EFH utilized by various life stages of red drum and penaeid

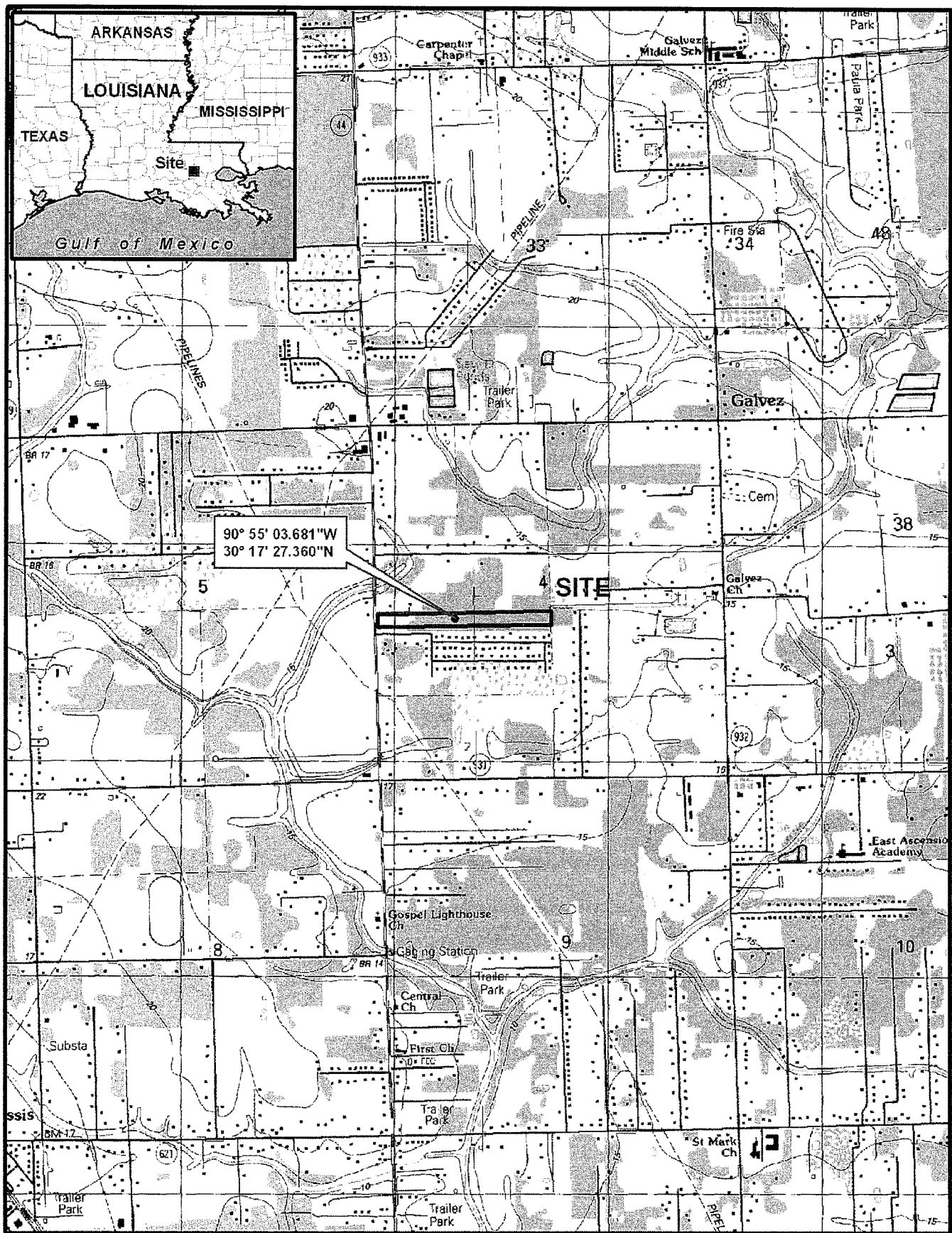
shrimp. Our initial determination is that the proposed action would not have a substantial adverse impact on EFH or federally managed fisheries in the Gulf of Mexico. Our final determination relative to project impacts and the need for mitigation measures is subject to review by and coordination with the National Marine Fisheries Service.

If the proposed work involves deposits of dredged or fill material into navigable waters, the evaluation of the probable impacts will include the application of guidelines established by the Administrator of the Environmental Protection Agency. Also, a certification that the proposed activity will not violate applicable water quality standards will be required from the Department of Environmental Quality, Water Quality Certifications Section, before a permit is issued.

Any person may request, in writing, within the comment period specified in this notice, that a public hearing be held to consider this application. Requests for public hearings shall state, with particularity, the reasons for holding a public hearing.

You are requested to communicate the information contained in this notice to any other parties whom you deem likely to have interest in the matter.

John M. Herman  
Chief, Central Evaluation Section



Map Scale: 1:24,000  
1 Inch = 2,000 Feet

0 500 1,000 2,000 Feet



**FIGURE 1**  
**USGS Topographic Map**

Section 404 Permit Application  
Hidden Cove Residential Subdivision  
Corbin Ladner Custom Homes, LLC

Date: 04/29/15  
Map ID: CMS2014-106a

**Chenier Environmental  
Consulting, LLC**

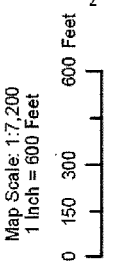
Source: State of Louisiana; Projection: UTM Z15N, NAD 83; 1:24,000 USGS Quadrangle Map






Date: 04/29/15  
 Map ID: CMS2015-074

Map Scale: 1:7,200  
 1 inch = 600 Feet



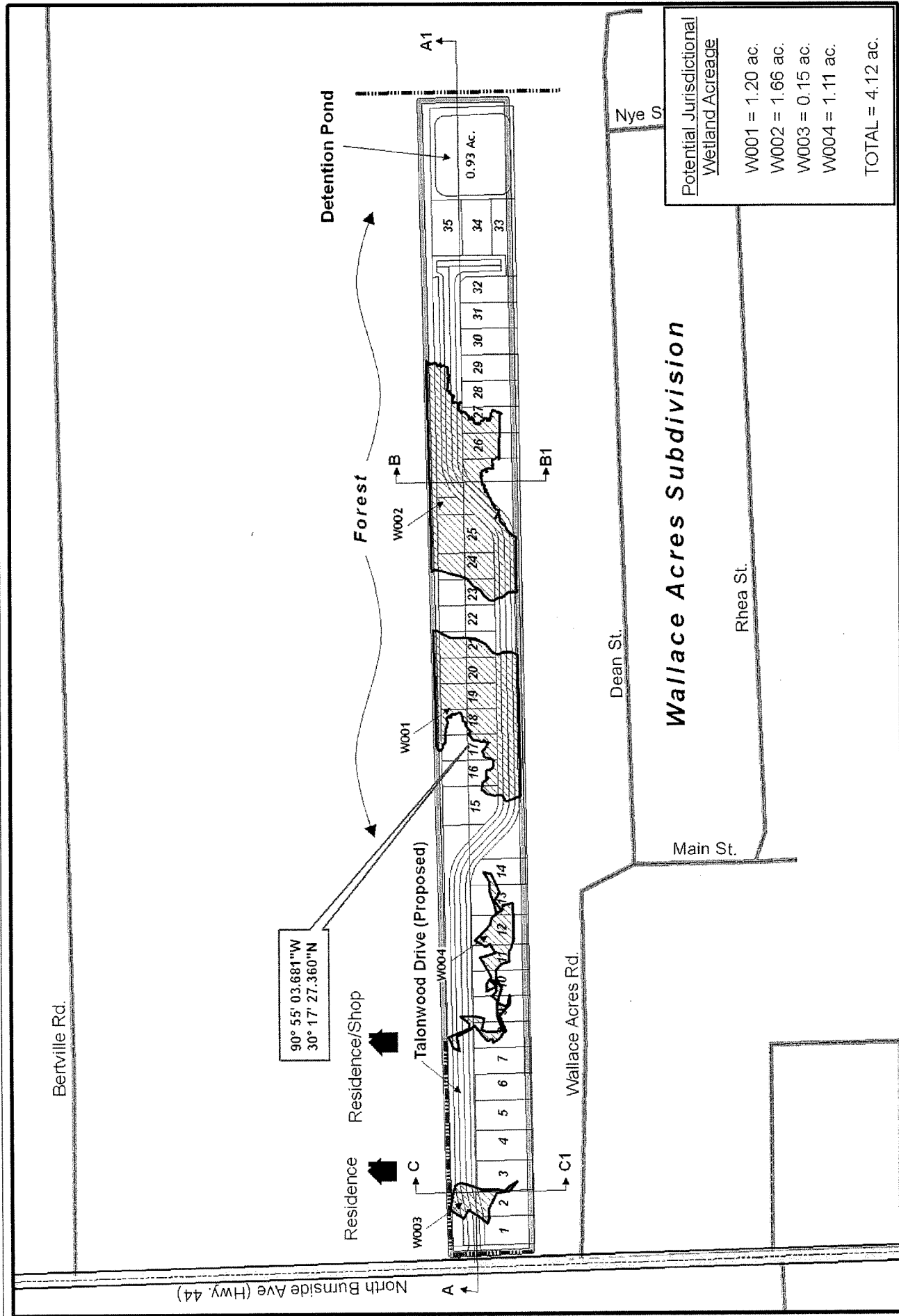
**FIGURE 2**  
 Existing Conditions

Section 404 Permit Application  
 Hidden Cove Residential Subdivision  
 Corbin Lathier Custom Homes, LLC

- LEGEND**
-  Project Area
  -  USGS NHD Stream

**Chenier Environmental Consulting, LLC**

Source: State of Louisiana, Projection: UTM 215W, NAD 83, 2012 DOQQ Imagery



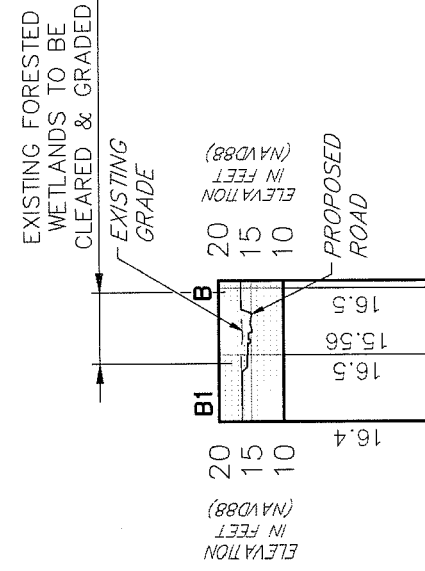
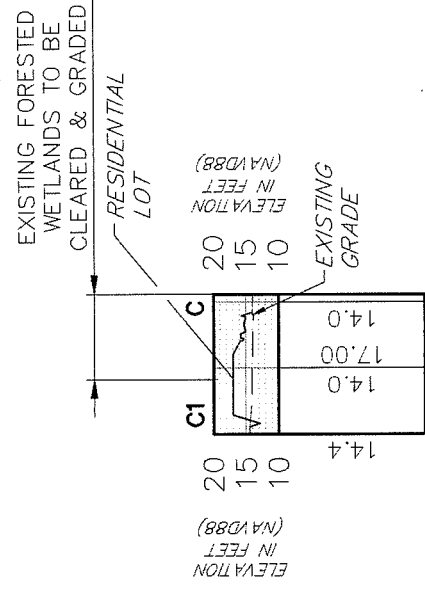
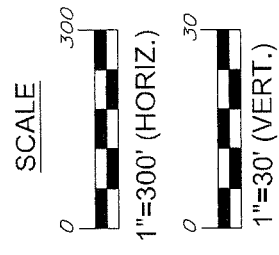
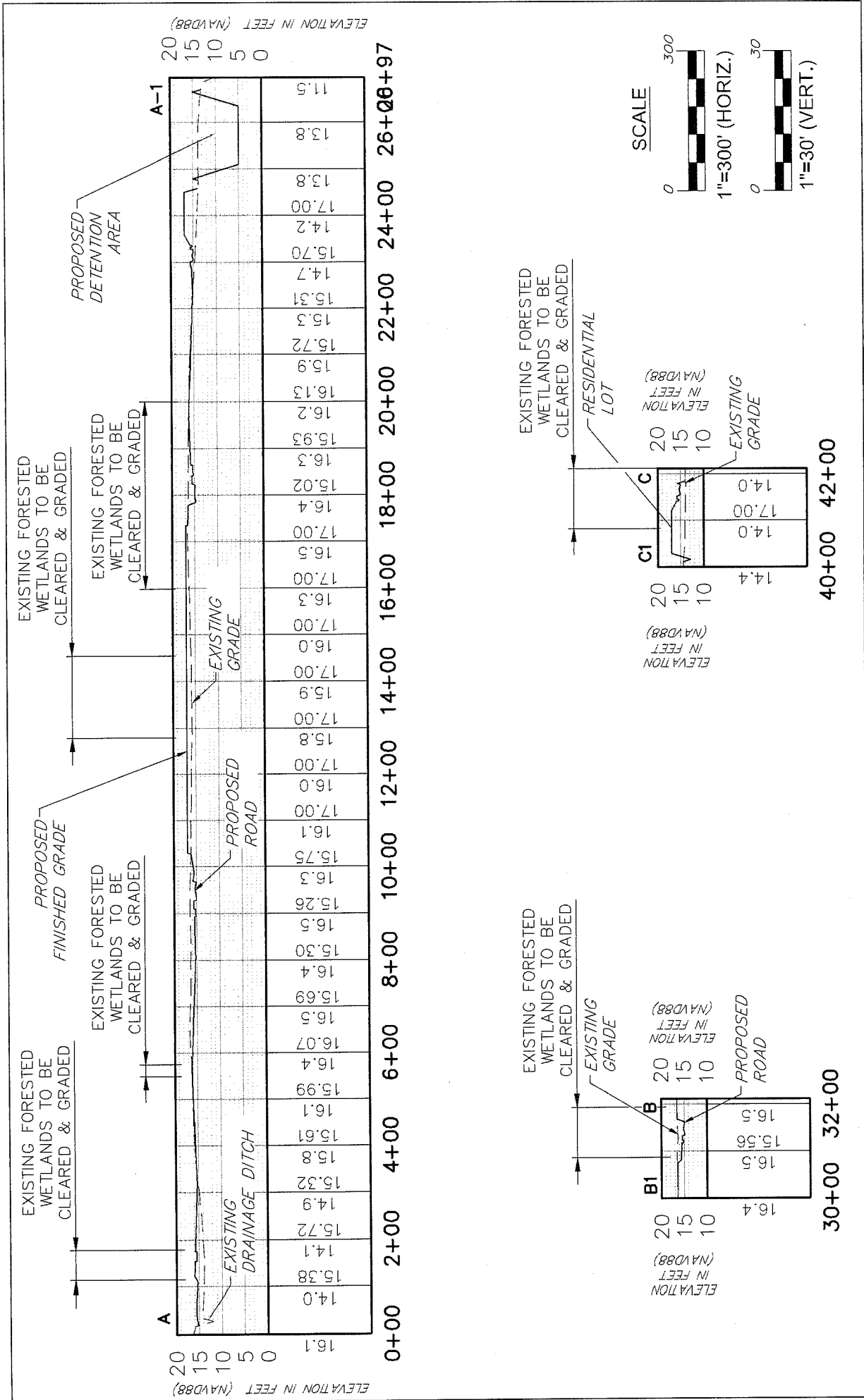
**FIGURE 3**  
Plan View

Section 404 Permit Application  
Hidden Cove Residential Subdivision  
Corbin Ladner Custom Homes, LLC

Date: 04/29/15  
Map ID: CIMS2015-039a

**Chenier Environmental Consulting, LLC**  
PN: 0012

Source: State of Louisiana, Projection: UTM Z15N, NAD 83



**LEGEND**

- PROPOSED FINISHED GRADE
- - - EXISTING GRADE

**FIGURE 4**  
**CROSS-SECTIONS**  
**HIDDEN COVE RESIDENTIAL SUBDIVISION**  
**CORBIN LADNER CUSTOM HOMES, LLC**

**CHENIER**  
**ENVIRONMENTAL**  
**CONSULTING, LLC**

# Attachment C

## ENG Form 4345, Block 18 – Nature of Activity

---

### Hidden Cove Residential Subdivision

Clear, grade, excavate, and fill portions of selected parcel in order to construct a single-family residential development consisting of 35 home sites, asphalt roads, sidewalks, curbs, gutters, utility and drainage servitudes, detention pond, common areas, and green spaces. Approximately 2,262 cubic yards of clean fill material will be placed in jurisdictional wetlands on the site to raise the elevation to approximately 18 feet NAVD 88.

#### Proposed Project Feature Dimensions:

Typical lots: 60 feet X 134 feet (varies)

Road right-of-way widths: 50 feet

Utility servitude: 12 feet wide (2)

Detention Pond: 208 feet X 197 feet (0.93 acres)



# Attachment D

## ENG Form 4345, Block 21 – Type(s) of Material Being Discharged and the Amount and Type of Each in Cubic Yards

---

### Hidden Cove Residential Subdivision

Feature	Wetland Excavation (cy)	Wetland Fill (cy) by type
Roads	162	67
Lots	0	2195
Dry Detention	0	0
Total	162	2,262