

JOINT PUBLIC NOTICE

January 19, 2015

United States Army
Corps of Engineers
New Orleans District
Regulatory Branch
Post Office Box 60267
New Orleans, Louisiana 70160-0267

(504) 862-1954
Michael.h.herrmann@usace.army.mil
Project Manager
Michael Herrmann
Permit Application Number
MVN-2014-02593-WLL

State of Louisiana
Department of Environmental Quality
ATTN: Water Quality Certifications
Post Office Box 4313
Baton Rouge, Louisiana 70821-4313

(225) 219-3225

Project Manager
Elizabeth Johnson
WQC Application Number
WQC 150114-01

Interested parties are hereby notified that a permit application has been received by the New Orleans District of the U.S. Army Corps of Engineers pursuant to: [X] Section 10 of the Rivers and Harbors Act of March 3, 1899 (30 Stat. 1151; 33 USC 403); and/or [X] Section 404 of the Clean Water Act (86 Stat. 816; 33 USC 1344).

Application has also been made to the Louisiana Department of Environmental Quality, Water Quality Certifications, for a Water Quality Certification (WQC) in accordance with statutory authority contained in LRS30:2047 A(3), and provisions of Section 401 of the Clean Water Act (P.L.95-17).

LAND CLEARING, EXCAVATION AND TEMPORARY SPOIL FOR PIPELINE REMOVAL IN SAINT MARY PARISH

NAME OF APPLICANT: Kinder Morgan, Inc., C/O: Cardno ENTRIX, 9821 Katy Freeway, Suite 600, Houston, TX 77024.

LOCATION OF WORK: Beginning in Atchafalaya Bay and ending at the Lower Atchafalaya River at Big Hog Bayou all located in St. Mary Parish, Louisiana, Location: (POB: Latitude: 29.4379948 / Longitude: -91.416632) (POE: Latitude: 29.5505255, Longitude -91.2556876) Hydrologic Unit Code: 08080101 – Atchafalaya Basin, as shown on the enclosed drawings.

CHARACTER OF WORK: Clear a 75-foot ROW to remove 6.9 miles of 10-inch pipeline by excavating a trench, exposing and floating the pipe to pull cut and remove from 2-3 locations along the ROW and additionally abandon in place the remaining 14.5 miles of pipeline within open water of Atchafalaya Bay.

The proposed project will temporarily impact a total of 49.9 acres of emergent wetlands and 16.6

acres of forested wetlands by conversion to emergent wetlands.

The applicant has proposed that project related impacts will be primarily temporary impacts to scrub shrub habitat with some forested habitat. The applicant proposes to utilize an approved mitigation bank for all unavoidable impacts due to conversion of forested wetlands.

The comment period for the Department of the Army Permit and the Louisiana Department of Environmental Quality WQC will close **20 days** from the date of this joint public notice. Written comments, including suggestions for modifications or objections to the proposed work, stating reasons thereof, are being solicited from anyone having interest in this permit and/or this WQC request and must be mailed so as to be received before or by the last day of the comment period. Letters concerning the Corps of Engineers permit application must reference the applicant's name and the Permit Application Number, and be mailed to the Corps of Engineers at the address above, **ATTENTION: REGULATORY BRANCH**. **Similar letters concerning the Water Quality Certification must reference the applicant's name and the WQC Application number and be mailed to the Louisiana Department of Environmental Quality at the address above.** Individuals or parties may request an extension of time in which to comment on the proposed work by writing or e-mailing the Corps of Engineers Project Manager listed above. Any request must be specific and substantively supportive of the requested extension, and received by this office prior to the end of the initial comment period. The Section Chief will review the request and the requestor will be promptly notified of the decision to grant or deny the request. If granted, the time extension will be continuous to the initial comment period and, inclusive of the initial comment period, will not exceed a total of 30 calendar days.

The application for this proposed project is on file with the Louisiana Department of Environmental Quality and may be examined during weekdays between 8:00 a.m. and 4:30 p.m. Copies may be obtained upon payment of costs of reproduction.

Corps of Engineers Permit Criteria

The decision whether to issue a permit will be based on an evaluation of the probable impacts, including cumulative impacts of the proposed activity on the public interest. That decision will reflect the national concern for both protection and utilization of important resources. The benefit which reasonably may be expected to accrue from the proposal must be balanced against its reasonably foreseeable detriments. All factors which may be relevant to the proposal will be considered including the cumulative effects thereof; among those are conservation, economics, aesthetics, general environmental concerns, wetlands, historic properties, fish and wildlife values, flood hazards, floodplain values, land use, navigation, shoreline erosion and accretion, recreation, water supply and conservation, water quality, energy needs, safety, food and fiber production, mineral needs, considerations of property ownership and, in general, the needs and welfare of the people.

The U.S. Army Corps of Engineers is soliciting comments from the public, federal, state, and local agencies and officials, Indian Tribes, and other interested parties in order to consider and evaluate the impacts of this proposed activity. Any comments received will be considered by the U.S. Army Corps of Engineers to determine whether to make, modify, condition, or deny a permit for this proposal. To make this decision, comments are used to assess impacts on endangered species, historic properties, water quality, general environmental effects, and other public interest factors listed above. Comments are used in the preparation of an Environmental Assessment and/or an Environmental Impact Statement pursuant to the National Environmental Policy Act. Comments are

also used to determine the need for a public hearing and to determine the overall public interest of the proposed activity.

The New Orleans District is unaware of properties listed on the National Register of Historic Places near the proposed work. The possibility exists that the proposed work may damage or destroy presently unknown archeological, scientific, prehistorical, historical sites, or data. Issuance of this public notice solicits input from the State Archeologist and State Historic Preservation Officer regarding potential impacts to cultural resources.

Our initial finding is that the proposed work is Not Likely to Adversely Affect any species listed as endangered by the U.S. Departments of Interior or Commerce, nor affect any habitat designated as critical to the survival and recovery of any endangered species.

This notice initiates the Essential Fish Habitat (49.9 acres) consultation requirements of the Magnuson-Stevens Fishery Conservation and Management Act. The applicant's proposal would result in the destruction or alteration of acres of EFH utilized by various life stages of red drum and penaeid shrimp. Our initial determination is that the proposed action would not have a substantial adverse impact on EFH or federally managed fisheries in the Gulf of Mexico. Our final determination relative to project impacts and the need for mitigation measures is subject to review by and coordination with the National Marine Fisheries Service.

If the proposed work involves deposits of dredged or fill material into navigable waters, the evaluation of the probable impacts will include the application of guidelines established by the Administrator of the Environmental Protection Agency. Also, a certification that the proposed activity will not violate applicable water quality standards will be required from the Department of Environmental Quality, Water Quality Certifications, before a permit is issued.

Any person may request, in writing, within the comment period specified in this notice, that a public hearing be held to consider this application. Requests for public hearings shall state, with particularity, the reasons for holding a public hearing.

The applicant has certified that the proposed activity described in the application complies with and will be conducted in a manner that is consistent with the Louisiana Coastal Resources Program. The Department of the Army permit will not be issued unless the applicant received approval or a waiver of the Coastal Use Permit by the Department of Natural Resources.

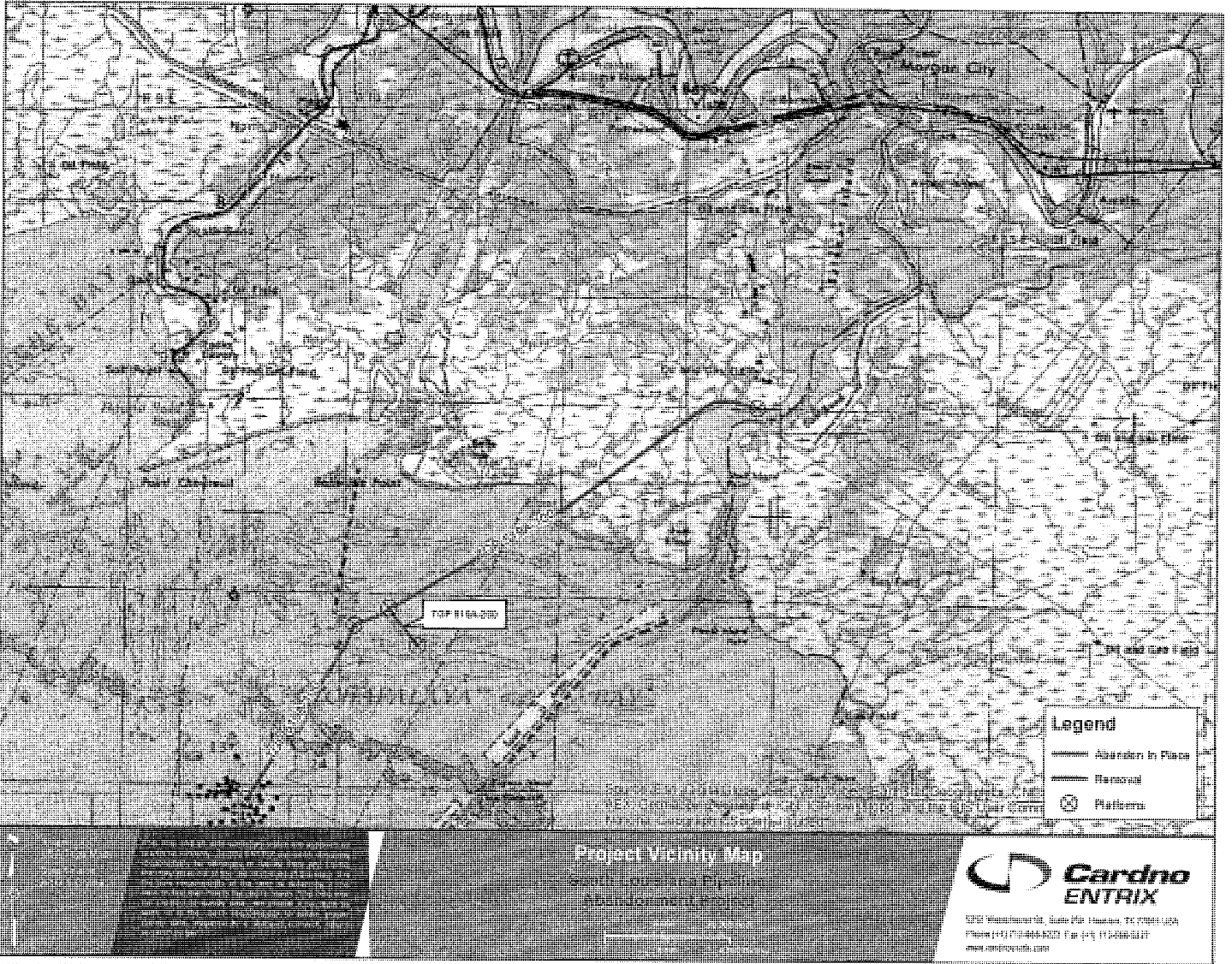
You are requested to communicate the information contained in this notice to any other parties whom you deem likely to have interest in the matter.

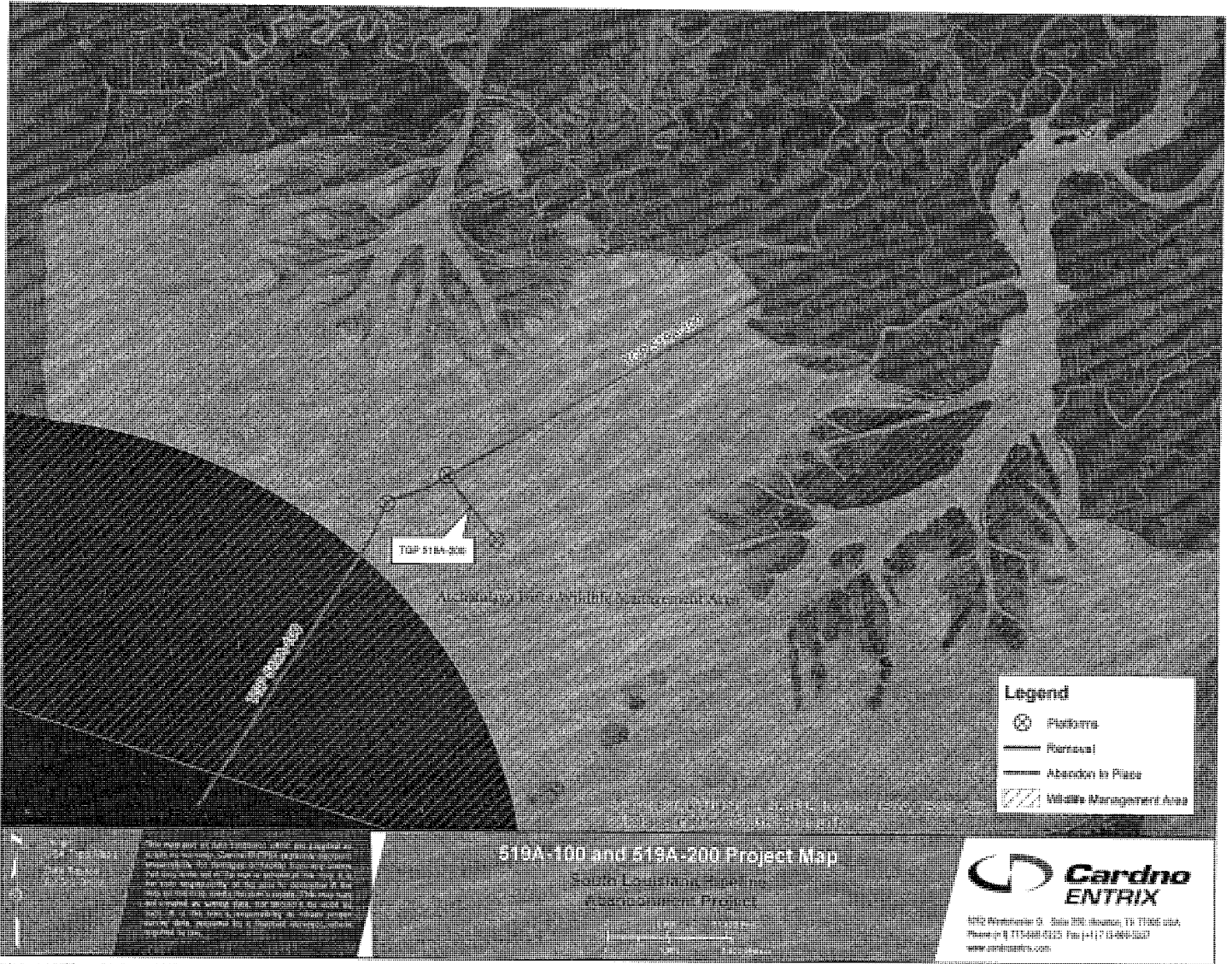
Darrell S. Barbara
Chief, Western Evaluation Section

Enclosure

Figure 1-1

Project Site Vicinity Map





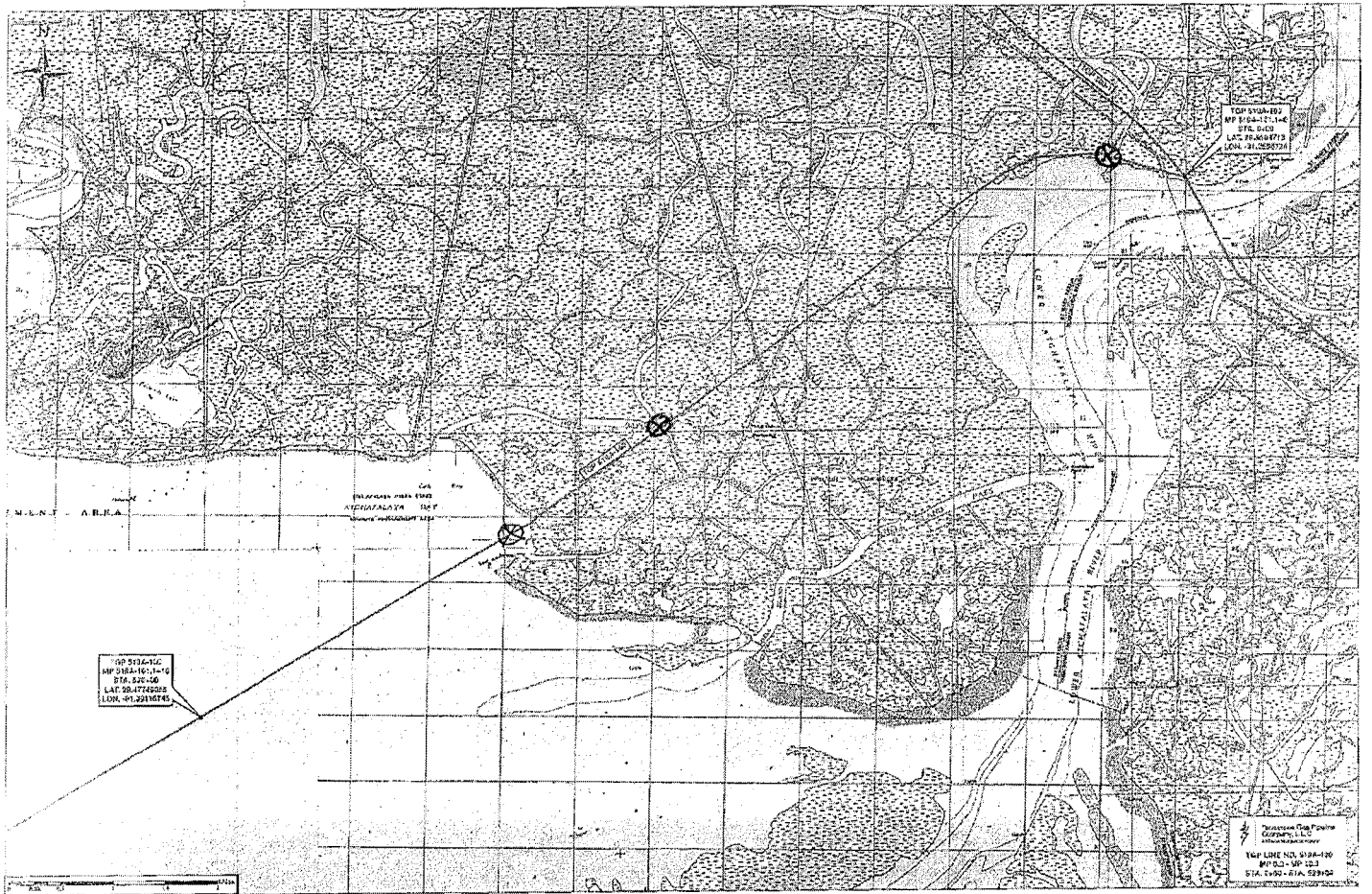
519A-100 and 519A-200 Project Map



1010 Westchester Dr. Suite 200 Houston, TX 77066 USA
Phone: 832.468.0125 Fax: +1 713.468.0527
www.cardnoentrix.com

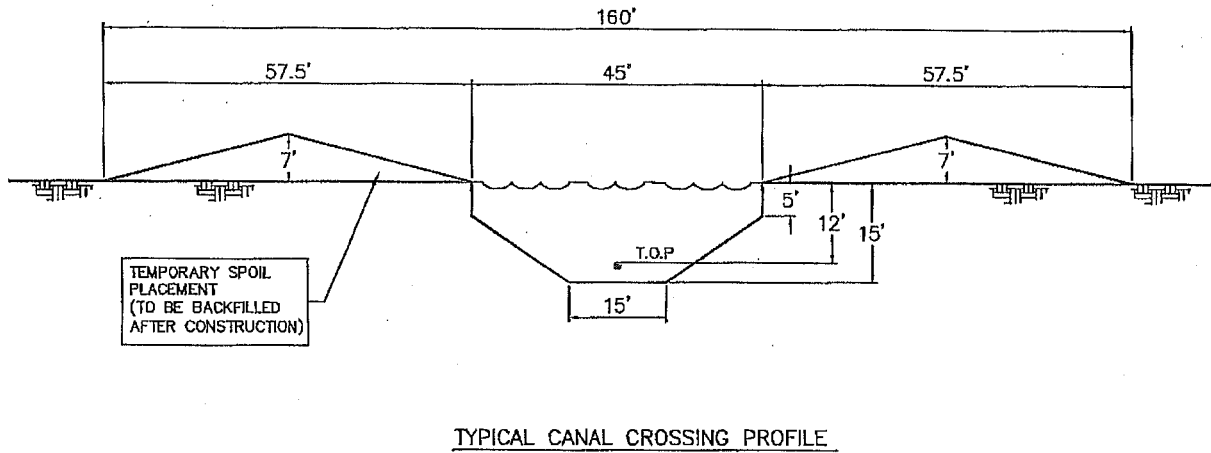
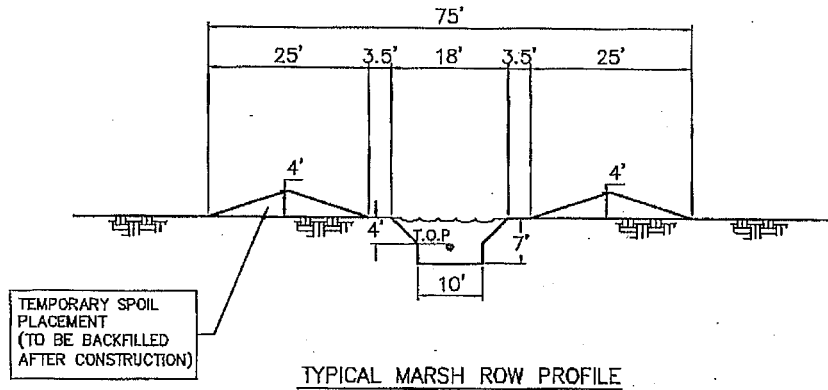
Small text at the bottom left corner, likely a disclaimer or metadata.


519A-100 South Louisiana Pipeline Abandonment Project
 * Pipe pulling/removal locations *



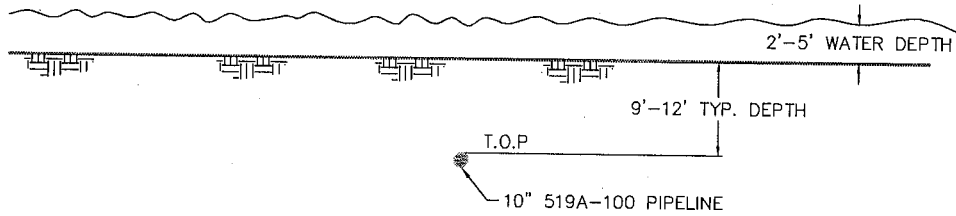
Pipe Pulling/Removal Locations

Appendix C - 519A-100/200

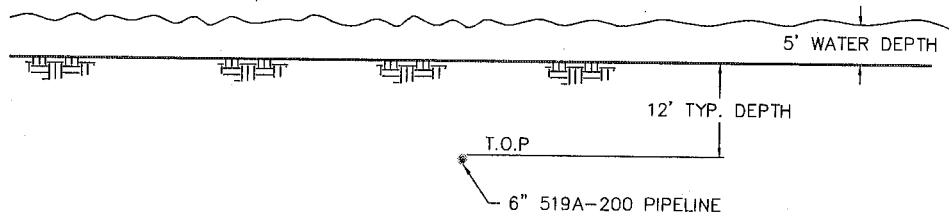


A		8/15/14	HT	ISSUED FOR APPROVAL	N/A	AS
NO.		DATE	BY	DESCRIPTION	PROJ. ID	APPR.
REVISIONS						
Division:		Op. Area:				
St.: LOUISIANA		Co./Par.: ST. MARY				
Section:		Township:		Range:		
Dft: HT	Date: 8-14-14	Project ID: N/A		519A-100 PIPELINE ABANDONMENT 10" TGP LINE NO. 519A-100 TYPICAL PROFILES		
Chk: MTL	Date: 8-15-14	Scale: N.T.S.				
Appr:	Date:	Filename: TA-F2-519A-100-1D				
						
				TA-F2-519A-100-1D	Sheet: 1 of 1	Rev. A
				Type: ACAD		


Typical Cross-section Drawing - Abandon In Place Portion



TYPICAL PROFILE - ATCHAFALAYA BAY

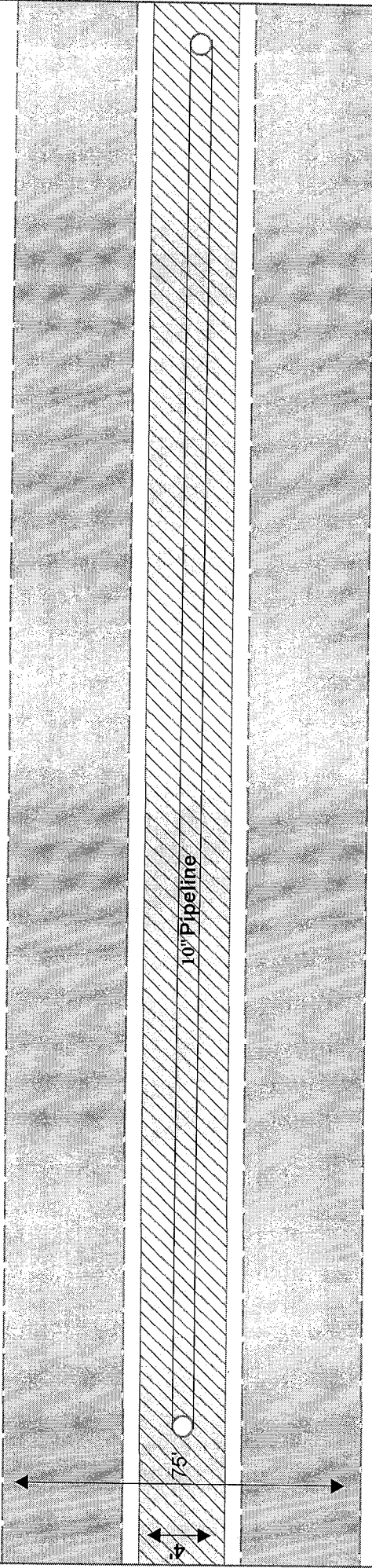


TYPICAL PROFILE - ATCHAFALAYA BAY

NO.		DATE	BY	DESCRIPTION	PROJ. ID	APPR.
A		8-26-14	QD	ISSUED FOR APPROVAL	N/A	AS
REVISIONS						
Division:		Op. Area:				
St.: LOUISIANA		Co./Par.: ST. MARY				
Section:		Township:		Range:		
Dft: QD	Date: 8-26-14	Project ID: N/A				
Chk: MTL	Date: 8-26-14	Scale: N.T.S.				
Appr:	Date:	Filename: TA-F2-519A-100-1E				
PIPELINE ABANDONMENT 10" TGP LINE NO. 519A-100 6" TGP LINE NO. 519A-200 TYPICAL PROFILES				 Tennessee Gas Pipeline Company, L.L.C. a Kinder Morgan company		
						TA-F2-519A-100-1E

Wetlands Impacted:
 -Excavation Activities: 0.09 acres
 -Fill Activities: N/A
 Total Acres Impacted: 0.09 acres
 ROW - 75 Feet

Total Length: 1,000'



Legend

- Jetted
- ROW Extent

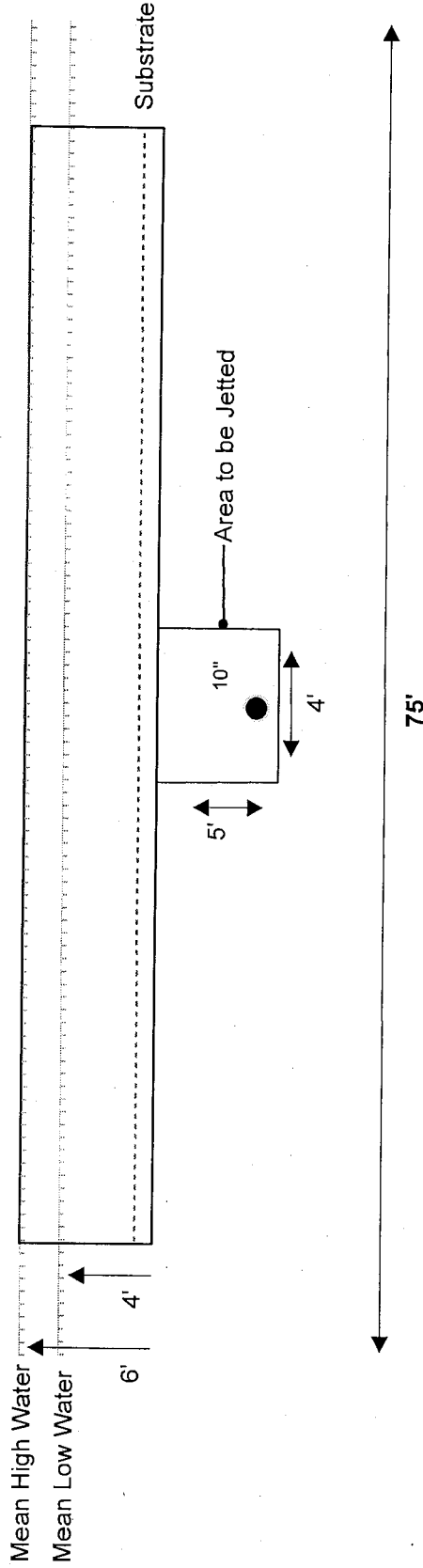
This map and all data contained within are supplied as is with no warranty. Cardno ENTRIX expressly disclaims responsibility for damages or liability from any claims that may arise out of the use or misuse of this map. It is the sole responsibility of the user to determine if the data is appropriate for their needs. The map was not created, amended, or updated for this use. Proper survey data, prepared by a licensed surveyor, must be required by law.

Typical Excavation Activities
 South Louisiana Pipeline Abandonment Project
 515A-100 Typical Excavation / Jetted Activities - St. Mary Parish, LA



9821 Katy Freeway, Suite 600, Houston, TX 77024 USA
 Phone (+1) 713-464-2300 Fax (+1) 713-722-5346
 www.cardnoentrix.com

Wetlands Impacted:
 -Excavation Activities: 0.09 acres
 -Fill Activities: N/A
 Total Acres Impacted: 0.09 acres
 ROW - 75 Feet



This map and all data contained within are supplied as is with no warranty. Cardno ENTRIX expressly disclaims responsibility for damages or liability from any claims that may arise out of the use or misuse of this map. It is the sole responsibility of the user to determine if the data on this map meets the user's needs. This map was not created as survey data, nor should it be used as such. All users' responsibility to obtain proper survey data is prepared by a licensed surveyor, where required by law.

Typical Excavation Activities
 South Louisiana Pipeline Abandonment Project
 519A-100 Typical Excavation / Jetted Activities - St. Mary Parish, LA

Image
 Words/images
 Luke Schaefer
 ArcGIS Online



9821 Katy Freeway, Suite 600, Houston, TX 77024 USA
 Phone (+1) 713-464-2200 Fax (+1) 713-722-5346
 www.cardnoentrix.com

Wetlands Impacted:
 -Excavation Activities: 15.4 acres
 -Fill Activities: 42.5 acres
 -Additional Workspace: 8.6 acres
 Total Acres Impacted: 66.5
 ROW - 75 Feet




Spoil Placement Area

Trench

Spoil Placement Area

75' Right-of-Way

Legend

-  Removal
-  Excavation Area
-  Temporary Fill Placement

Typical Excavation Activities

South Wichita Pipeline Abandonment Project
 53A-100 (United Section) - SD Utility Parish, LA

South Wichita Pipeline Abandonment Project
 53A-100 (United Section) - SD Utility Parish, LA
 Prepared by: Environmental Sciences, Inc. (ESI)
 5300 West Loop South, Suite 200, Houston, TX 77024 USA
 Phone: (+1) 713-464-2300 Fax: (+1) 713-725-9346
 www.environmental-sci.com



9621 Faby Freeway, Suite 600, Houston, TX 77024 USA
 Phone: (+1) 713-464-2300 Fax: (+1) 713-725-9346
 www.cardnoentrinx.com

Scale: 1" = 100'
 North Arrow