

# JOINT PUBLIC NOTICE

February 5, 2018

United States Army  
Corps of Engineers  
New Orleans District  
Attn: Regulatory Branch  
Post Office Box 60267  
New Orleans, Louisiana 70160-0267

State of Louisiana  
Department of Environmental Quality  
Attn: Water Quality Certification Sec.  
Post Office Box 4313  
Baton Rouge, Louisiana 70821-4313

Project Manager: Dirreen Arnold  
(504) 862-2301 / fax: (504) 862-2574  
dirreen.s.arnold@usace.army.mil  
Permit Application Number:  
MVN-2014-02629-CA

Project Manager:  
Elizabeth Hill  
(225) 219-3225 / fax: (225) 219-3156  
WQC Application Number:  
WQC-160422-04

Interested parties are hereby notified that a permit application has been received by the New Orleans District of the US Army Corps of Engineers pursuant to: [X] Section 10 of the Rivers and Harbors Act of March 3, 1899 (30 Stat. 1151; 33 USC 403); and/or [X] Section 404 of the Clean Water Act (86 Stat. 816; 33 USC 1344).

Application has also been made to the Louisiana Department of Environmental Quality, Office of Environmental Services, for a Water Quality Certification (WQC) in accordance with statutory authority contained in LRS 30:2074 A(3) and provisions of Section 401 of the Clean Water Act.

## **BARGE FLEETING, MIDSTREAM MOORING FACILITY, MOORING STRUCTURES AND BATTURE DEGRADING, MISSISSIPPI RIVER, ST. JAMES PARISH**

**NAME OF APPLICANT:** THE MOSAIC COMPANY, c/o River Consulting, LLC, 3510 North Causeway Boulevard, Suite 515, Metairie, Louisiana, 70002

**LOCATION OF WORK:** Mississippi River, left descending bank, at the Mosaic Fertilizer Uncle Sam Plant, approximately 160.7 miles above Head of Passes, Convent, Louisiana, (30.041242, -90.835744), in St. James Parish, as shown on the enclosed drawings, within Hydrologic Unit Code 08070100, Lower Mississippi Baton Rouge.

**CHARACTER OF WORK:** The applicant has requested Department of the Army authorization to install and maintain five (5) submerged mooring piles with associated mooring buoys for a new mid-stream operation; eight (8) barge fleeting mooring monopoles; four (4) ship mooring dolphins and associated walkways at the existing dock; two (2) ship breasting dolphins along the front of the existing dock; and two (2) barge mounted crane off-loaders. As a result of the U.S. Army Corps of Engineers Section 408 review, the applicant is required to clear approximately 4.14 acres of forested batture wetland habitat to adhere to the required stabilization safety factor of the levee. Approximately 50,863 cubic yards of material will be excavated, cleared and graded in accordance with the project plans. The applicant agrees to compensate for wetland impacts by purchasing credits at a Department of the Army mitigation bank.

The comment period for the Department of the Army Permit and the Louisiana Department of Environmental Quality WQC will close **30 days** from the date of this joint public notice. Written comments, including suggestions for modifications or objections to the proposed work, stating reasons thereof, are being solicited from anyone having interest in this permit and/or this WQC request and must be submitted so as to be received before or by the last day of the comment period. Letters concerning the Corps of Engineers permit application must reference the applicant's name and the Permit Application Number, and be forwarded to the Corps of Engineers at the address above, **ATTENTION: REGULATORY BRANCH**. Similar letters concerning the Water Quality Certification must reference the applicant's name and the WQC application number and be mailed to the Louisiana Department of Environmental Quality at the address above. Individuals or parties may request an extension of time in which to comment on the proposed work by writing, faxing, or e-mailing the Corps of Engineers Project Manager listed above. Any request must be specific and substantively supportive of the requested extension, and received by this office prior to the end of the initial comment period. The Section Chief will review the request and the requestor will be promptly notified of the decision to grant or deny the request. If granted, the time extension will be continuous to the initial comment period and, inclusive of the initial comment period, will not exceed a total of 30 calendar days.

The application for this proposed project is on file with the Louisiana Department of Environmental Quality and may be examined during weekdays between 8:00 a.m. and 4:30 p.m. Copies may be obtained upon payment of costs of reproduction.

### **Corps of Engineers Permit Criteria**

The decision whether to issue a permit will be based on an evaluation of the probable impacts, including cumulative impacts of the proposed activity on the public interest. That decision will reflect the national concern for both protection and utilization of important resources. The benefit which reasonably may be expected to accrue from the proposal must be balanced against its reasonably foreseeable detriments. All factors which may be relevant to the proposal will be considered including the cumulative effects thereof; among those are conservation, economics, aesthetics, general environmental concerns, wetlands, historic properties, fish and wildlife values, flood hazards, floodplain values, land use, navigation, shoreline erosion and accretion, recreation, water supply and conservation, water quality, energy needs, safety, food and fiber production, mineral needs, considerations of property ownership and, in general, the needs and welfare of the people.

The U.S. Army Corps of Engineers is soliciting comments from the public, federal, state, and local agencies and officials, Indian Tribes, and other interested parties in order to consider and evaluate the impacts of this proposed activity. Any comments received will be considered by the U.S. Army Corps of Engineers to determine whether to make, modify, condition, or deny a permit for this proposal. To make this decision, comments are used to assess impacts on endangered species, historic properties, water quality, general environmental effects, and other public interest factors listed above. Comments are used in the preparation of an Environmental Assessment and/or an Environmental Impact Statement pursuant to the National Environmental Policy Act. Comments are also used to determine the need for a public hearing and to determine the overall public interest of the proposed activity.

The New Orleans District is unaware of properties listed on the National Register of Historic Places near the proposed work. The possibility exists that the proposed work may damage or destroy presently unknown archeological, scientific, pre-historical, historical sites, or data. Copies of this notice are being sent to the State Archeologist and State Historic Preservation Officer.

The New Orleans District has determined that the proposed project is located in waters known to be utilized by the pallid sturgeon (*Scaphirhynchus albus*) and determined that the proposed activity is not likely to adversely affect the species based on the Standard Local Operating Procedure for Endangered Species of Louisiana (SLOPES), dated October 22, 2014, between the U.S. Army Corps of Engineers and the U.S. Fish and Wildlife Service, Ecological Services Office.

This notice initiates the Essential Fish Habitat (EFH) consultation requirements of the Magnuson-Stevens Fishery Conservation and Management Act. The applicant's proposal may result in the destruction or alteration of 0.0 acres of EFH utilized by various life stages of red drum and penaeid shrimp. Our initial determination is that the proposed action would not have a substantial adverse impact on EFH or federally managed fisheries in the Gulf of Mexico. Our final determination relative to project impacts and the need for mitigation measures is subject to review by and coordination with the National Marine Fisheries Service.

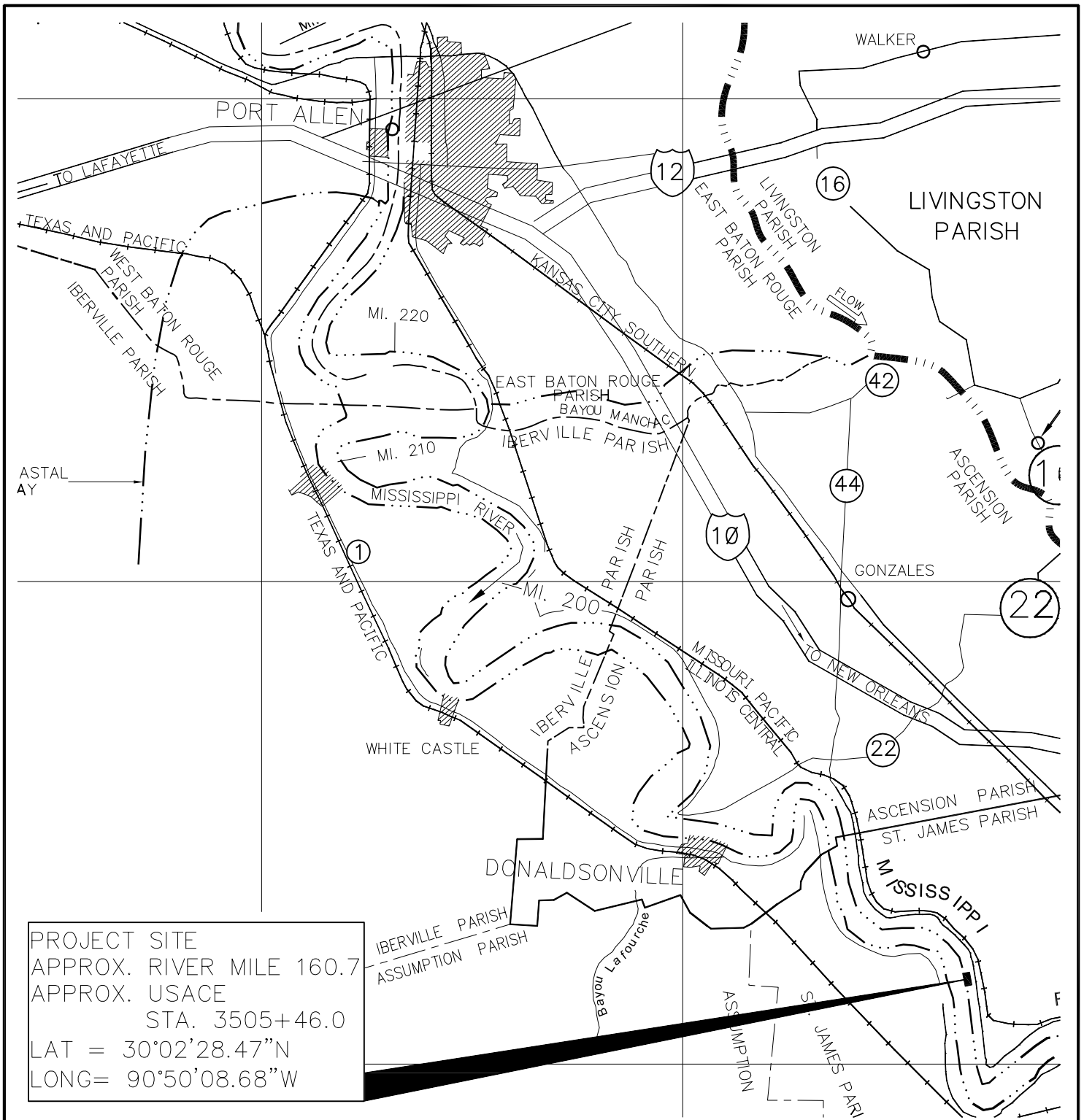
If the proposed work involves deposits of dredged or fill material into navigable waters, the evaluation of the probable impacts will include the application of guidelines established by the Administrator of the Environmental Protection Agency. Also, a certification that the proposed activity will not violate applicable water quality standards will be required from the Department of Environmental Quality, before a permit is issued.

Any person may request, in writing, within the comment period specified in this notice, that a public hearing be held to consider this application. Requests for public hearings shall state, with particularity, the reasons for holding a public hearing. You are requested to communicate the information contained in this notice to any other parties whom you deem likely to have interest in the matter.

The applicant has certified that the proposed activity described in the application complies with and will be conducted in a manner that is consistent with the Louisiana Coastal Resources Program. The Department of the Army permit will not be issued unless the applicant received approval or a waiver of the Coastal Use Permit by the Department of Natural Resources.

JOHN M. HERMAN  
Chief, Central Evaluation Section  
Regulatory Branch

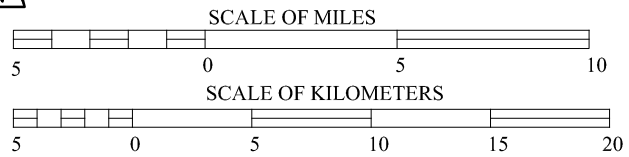
Enclosure



PROJECT SITE  
 APPROX. RIVER MILE 160.7  
 APPROX. USACE  
 STA. 3505+46.0  
 LAT = 30°02'28.47"N  
 LONG = 90°50'08.68"W

### VICINITY MAP

SCALE 1" = 5 MILES



Rev: 2	Description: RE-ISSUED FOR PERMIT	Date: 10/14/16	By: EAW
Rev: 1	Description: RE-ISSUED FOR PERMIT	Date: 10/20/15	By: EAW
Rev: 0	Description: ISSUED FOR PERMIT	Date: 10/23/14	By: EAW

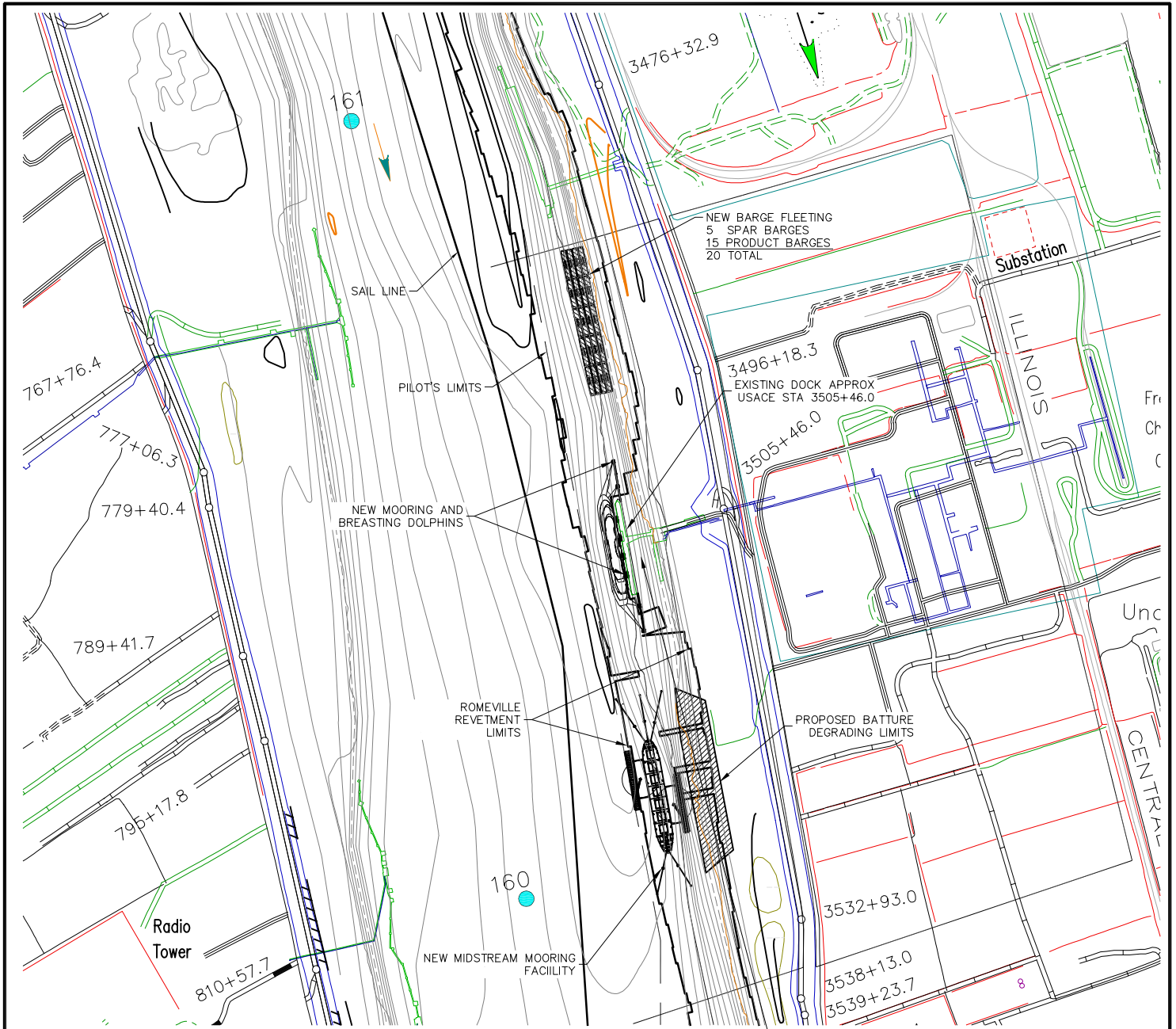
Designed by:  
SHL  
 Drawn by:  
SDC  
 Checked by:  
EAW  
 Approved by:  
AKF



**RIVER CONSULTING®**  
 WWW.RIVERCONSULTING.COM

**PROPOSED DOCK MODIFICATIONS**  
 FOR  
**MOSAIC FERTILIZER UNCLE SAM PLANT**  
 CONVENT, LOUISIANA  
 VICINITY MAP

PROJ. NO.  
14-M223  
 DATE  
AUG., 2014  
 DRAWING NO.  
**VM0001**



NOTE:  
 EXISTING CONDITIONS GENERATED  
 USING USACE HYDROGRAPHIC  
 SURVEY DATA DATED 2013.  
 REFERENCE MAP SHEET 39.

## VICINITY MAP

SCALE 1" = 1000'-0"



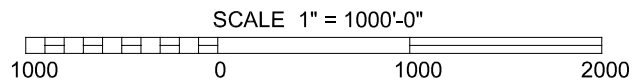
PROJECT SITE  
 MISSISSIPPI RIVER MILE 160.7  
 APPROX. USACE  
 STA. 3505+46.0  
 LAT = 30°02'28.47"N  
 LONG = 90°50'08.68"W  
 ST. JAMES PARISH  
 CITY OF CONVENT, LA

Rev:	Description:	Date:	By:
2	RE-ISSUED FOR PERMIT	10/14/16	EAW
1	RE-ISSUED FOR PERMIT	10/20/15	EAW
0	ISSUED FOR PERMIT	10/23/14	EAW

Designed by:  
SHL  
 Drawn by:  
SDC  
 Checked by:  
EAW  
 Approved by:  
AKF

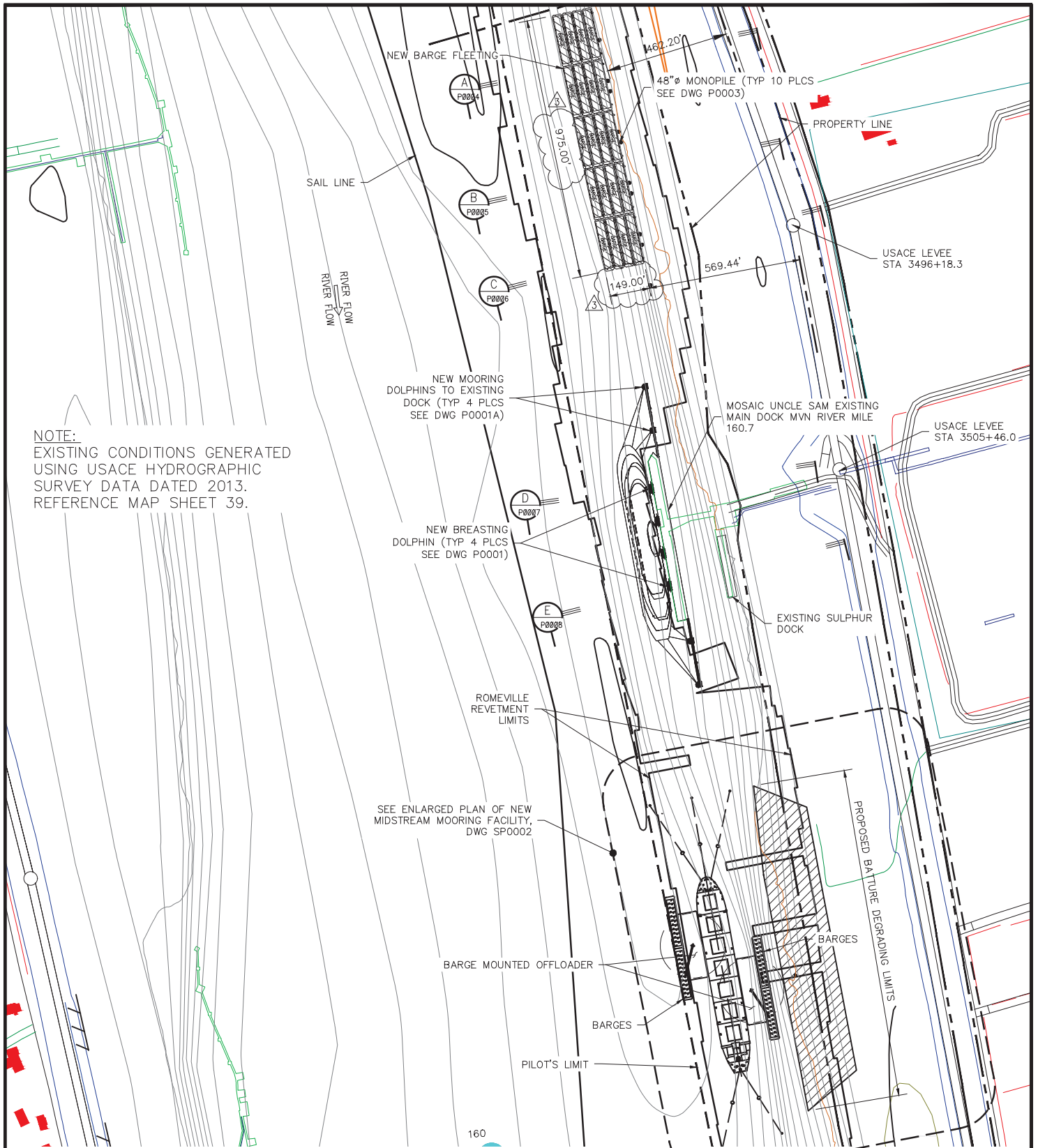


**RIVER CONSULTING®**  
 WWW.RIVERCONSULTING.COM



**PROPOSED DOCK MODIFICATIONS**  
 FOR  
**MOSAIC FERTILIZER UNCLE SAM PLANT**  
 CONVENT, LOUISIANA  
 ENLARGED VICINITY MAP

PROJ. NO.  
14-M223  
 DATE  
AUG., 2014  
 DRAWING NO.  
**VM0002**

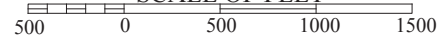


NOTE:  
 EXISTING CONDITIONS GENERATED  
 USING USACE HYDROGRAPHIC  
 SURVEY DATA DATED 2013.  
 REFERENCE MAP SHEET 39.

PROJECT SITE PLAN

1"=500'-0"

SCALE OF FEET



Rev: 2	Description: RE-ISSUED FOR PERMIT	Date: 10/14/16	By: EAW
Rev: 1	Description: RE-ISSUED FOR PERMIT	Date: 10/20/15	By: EAW
Rev: 3	Description: ADDED DIMENSIONS	Date: 02/14/17	By: WAE

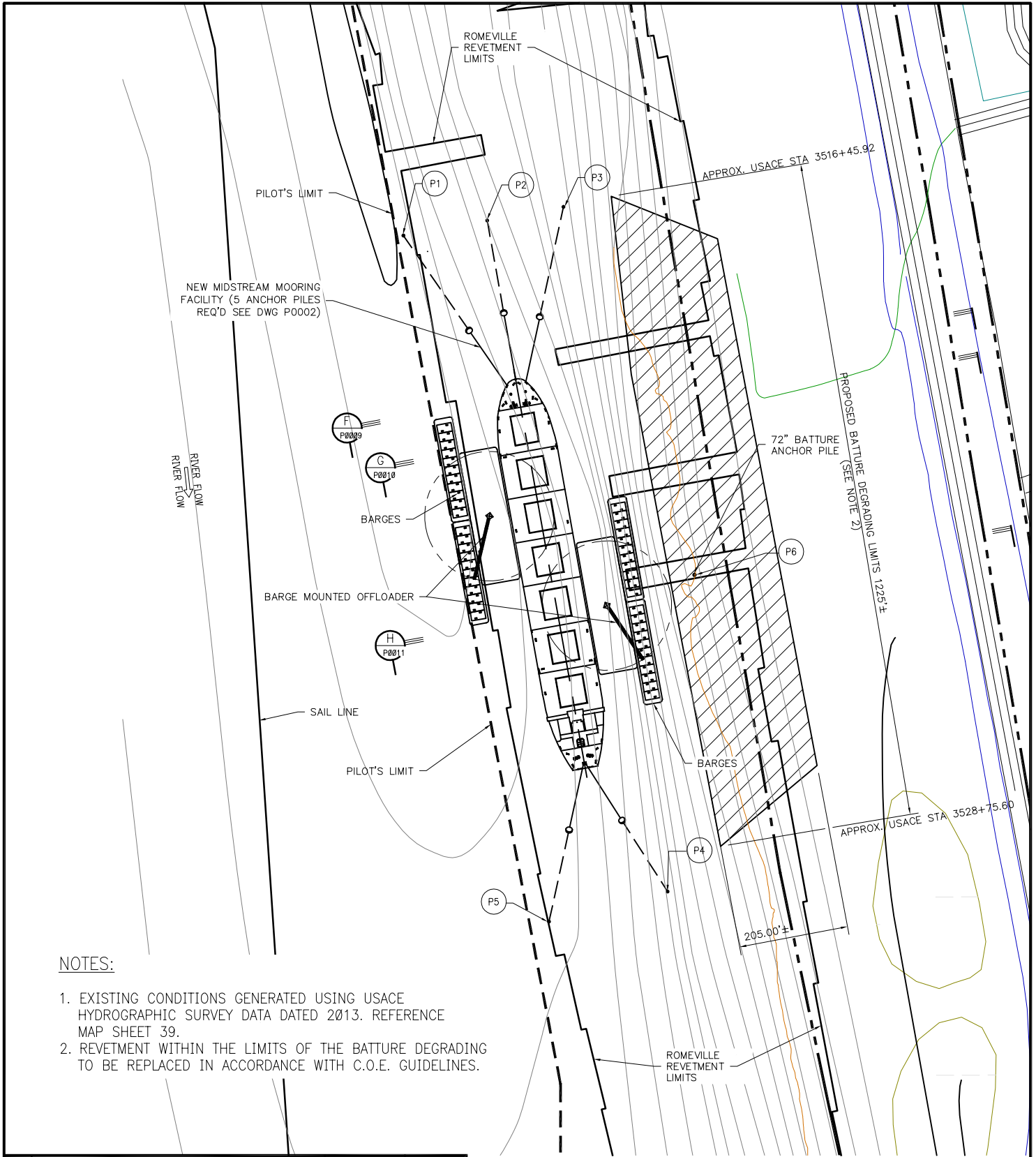
Designed by:  
 SHL  
 Drawn by:  
 SDC  
 Checked by:  
 EAW  
 Approved by:  
 AKF



**RIVER CONSULTING®**  
 WWW.RIVERCONSULTING.COM

PROPOSED DOCK MODIFICATIONS  
 FOR  
 MOSAIC FERTILIZER UNCLE SAM PLANT  
 CONVENT, LOUISIANA  
 PROPOSED SITE PLAN

PROJ. NO.  
 14-M223  
 DATE  
 AUG., 2014  
 DRAWING NO.  
**SP0001**



**NOTES:**

1. EXISTING CONDITIONS GENERATED USING USACE HYDROGRAPHIC SURVEY DATA DATED 2013. REFERENCE MAP SHEET 39.
2. REVETMENT WITHIN THE LIMITS OF THE BATTURE DEGRADING TO BE REPLACED IN ACCORDANCE WITH C.O.E. GUIDELINES.

Rev:	Description:	Date:	By:
1	RE-ISSUED FOR PERMIT	10/14/16	EAW
0	ISSUED FOR PERMIT	10/20/15	EAW

Designed by:  
SHL  
 Drawn by:  
SDC  
 Checked by:  
EAW  
 Approved by:  
AKF



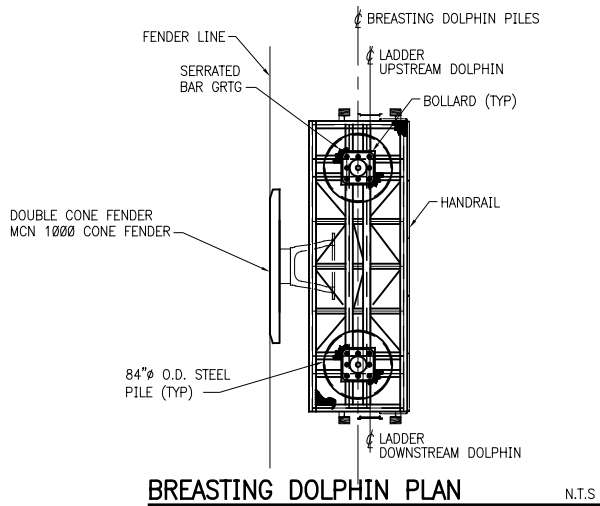
**PROJECT SITE PLAN** 1"=250'-0"



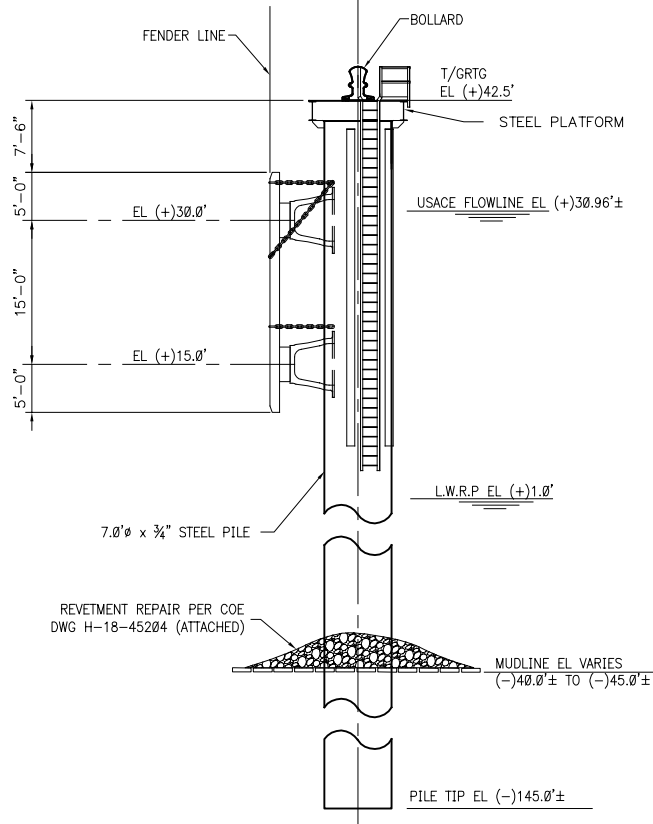
**PROPOSED DOCK MODIFICATIONS**  
 FOR  
**MOSAIC FERTILIZER UNCLE SAM PLANT**  
 CONVENT, LOUISIANA  
 PROPOSED SITE PLAN - ENLARGED MIDSTREAM MOORING FACILITY

PROJ. NO.	14-M223
DATE	AUG., 2014
DRAWING NO.	<b>SP0002</b>





**BREASTING DOLPHIN PLAN** N.T.S.



**BREASTING DOLPHIN ELEVATION** N.T.S.

• 4 REQUIRED

Rev: 2	Description: RE-ISSUED FOR PERMIT	Date: 10/14/16	By: EAW
Rev: 1	Description: RE-ISSUED FOR PERMIT	Date: 10/20/15	By: EAW
Rev: 0	Description: ISSUED FOR PERMIT	Date: 10/23/14	By: EAW

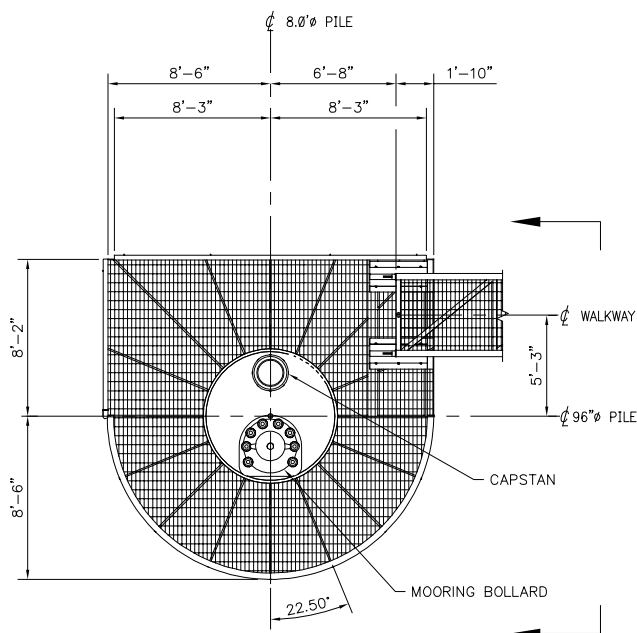
Designed by: SHL  
 Drawn by: SDC  
 Checked by: EAW  
 Approved by: AKF



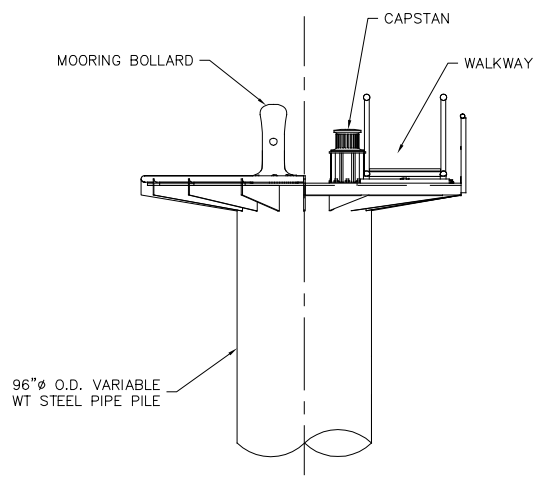
**PROPOSED DOCK MODIFICATIONS**  
 FOR  
**MOSAIC FERTILZER UNCLE SAM PLANT**  
 CONVENT, LOUISIANA

BREASTING DOLPHIN PILE ELEVATION

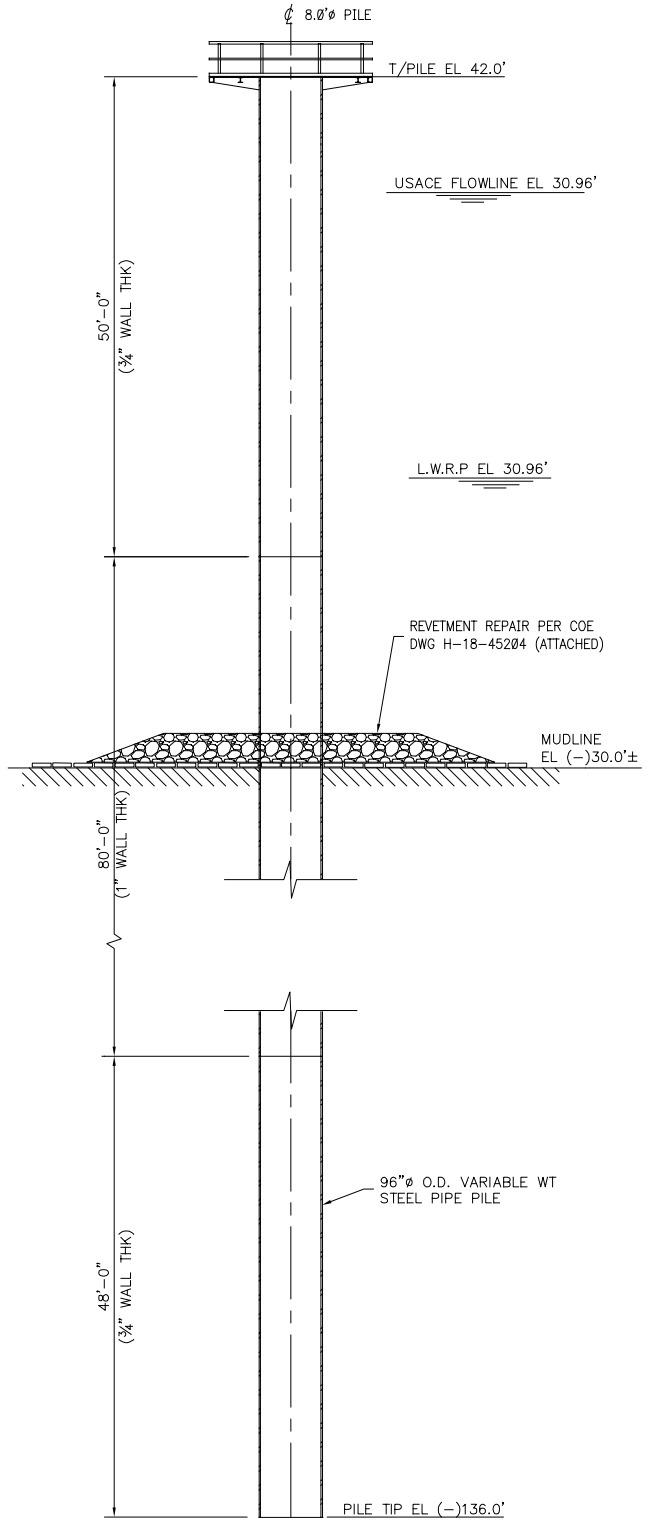
PROJ. NO. 14-M223
DATE AUG., 2014
DRAWING NO. <b>P0001</b>



**MOORING DOLPHIN PLATFORM-PLAN** N.T.S.  
 • 4 REQUIRED



**MOORING DOLPHIN PLATFORM-ELEVATION** N.T.S.  
 • 4 REQUIRED



**MOORING DOLPHIN ELEVATION** N.T.S.  
 • 4 REQUIRED

Rev: 2	Description: RE-ISSUED FOR PERMIT	Date: 10/14/16	By: EAW
Rev: 1	Description: RE-ISSUED FOR PERMIT	Date: 10/20/15	By: EAW
Rev: 0	Description: ISSUED FOR PERMIT	Date: 10/23/14	By: EAW

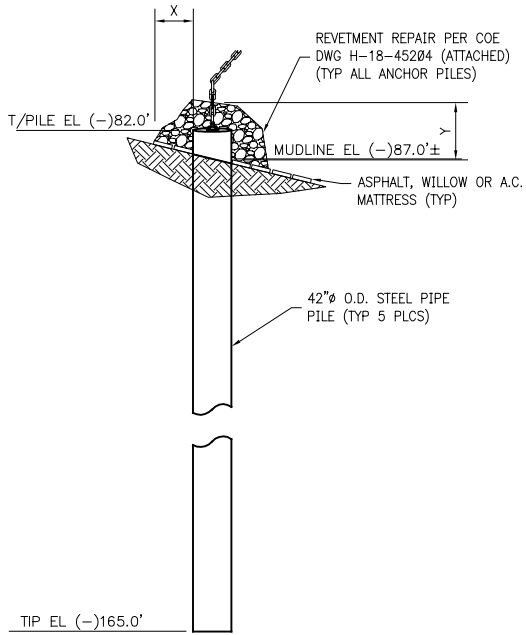
Designed by: SHL  
 Drawn by: SDC  
 Checked by: EAW  
 Approved by: AKF



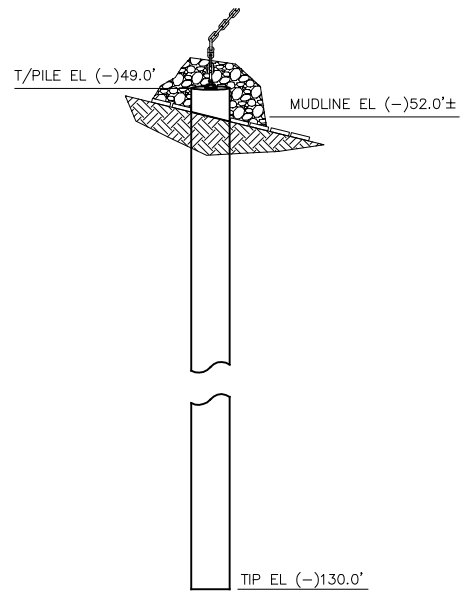
PROPOSED DOCK MODIFICATIONS  
 FOR  
 MOSAIC FERTILIZER UNCLE SAM PLANT  
 CONVENT, LOUISIANA

MOORING DOLPHIN PILE PLAN, ELEVATION, & DETAILS

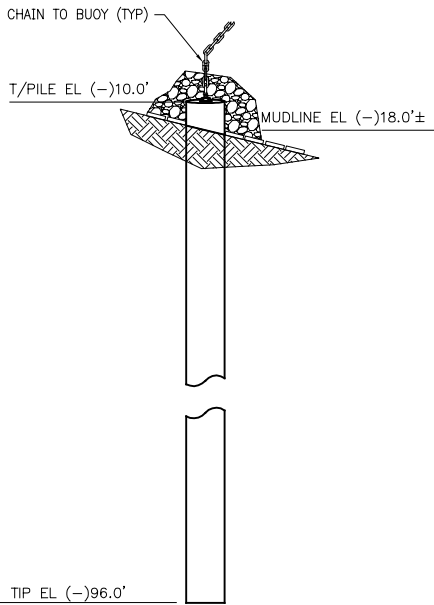
PROJ. NO. 14-M223  
 DATE AUG., 2014  
 DRAWING NO. P0001A



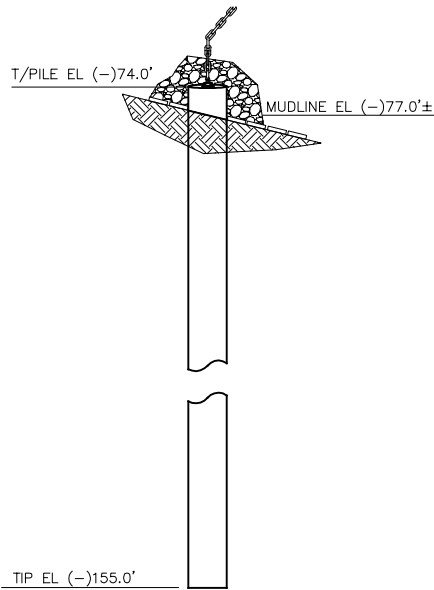
**ANCHOR PILE-P1** N.T.S.



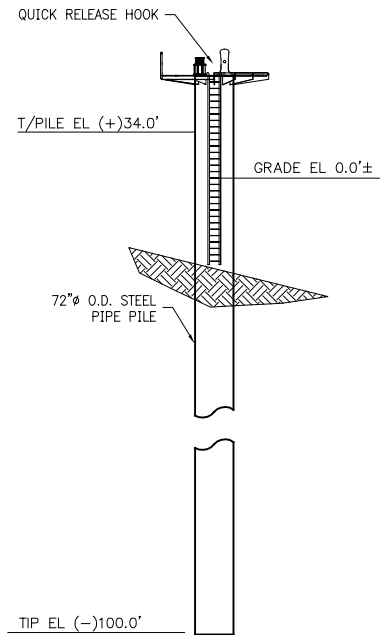
**ANCHOR PILE-P2** N.T.S.



**ANCHOR PILE-P3 AND P4** N.T.S.



**ANCHOR PILE-P5** N.T.S.



**ANCHOR PILE-P6** N.T.S.

Rev: 2	Description: RE-ISSUED FOR PERMIT	Date: 10/14/16	By: EAW
Rev: 1	Description: RE-ISSUED FOR PERMIT	Date: 10/20/15	By: EAW
Rev: 0	Description: ISSUED FOR PERMIT	Date: 10/23/14	By: EAW

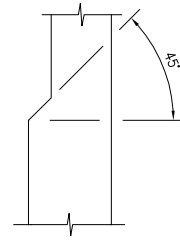
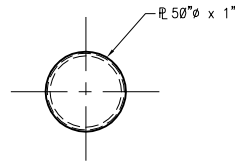
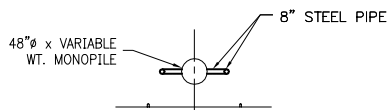


Designed by: SHL  
 Drawn by: SDC  
 Checked by: EAW  
 Approved by: AKF



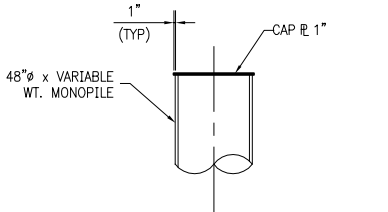
PROPOSED DOCK MODIFICATIONS  
 FOR  
 MOSAIC FERTILIZER UNCLE SAM PLANT  
 CONVENT, LOUISIANA  
 MIDSTREAM MOORING ANCHOR PILE ELEVATIONS

PROJ. NO. 14-M223  
 DATE AUG., 2014  
 DRAWING NO. P0002

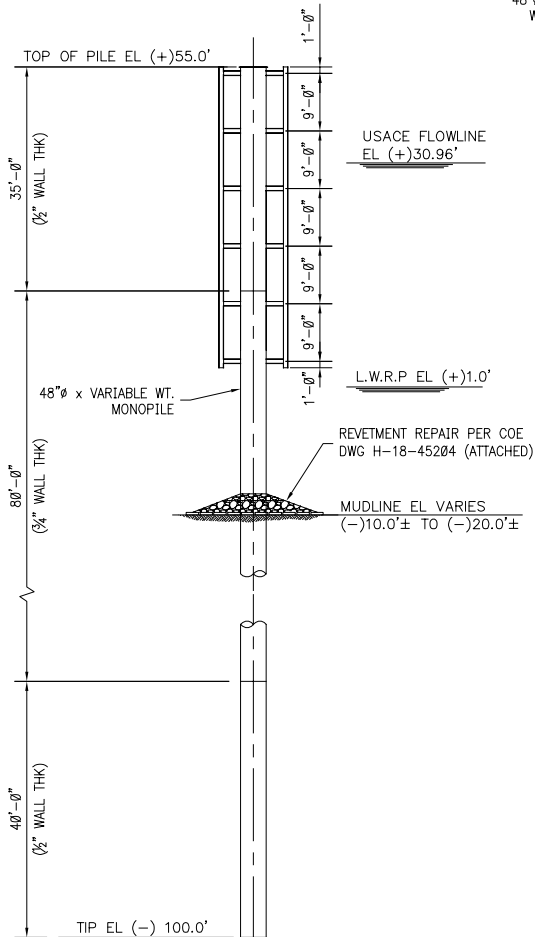


**BARGE FLEETING MONOPILE PLAN** N.T.S.

**DETAIL @ SPLICE** N.T.S.



**CAP PLATE DETAIL** 1"=10'-0"



**BARGE FLEETING MONOPILE ELEVATION** N.T.S.

• (10) REQUIRED

Rev: 2	Description: RE-ISSUED FOR PERMIT	Date: 10/14/16	By: EAW
Rev: 1	Description: RE-ISSUED FOR PERMIT	Date: 10/20/15	By: EAW
Rev: 0	Description: ISSUED FOR PERMIT	Date: 10/23/14	By: EAW

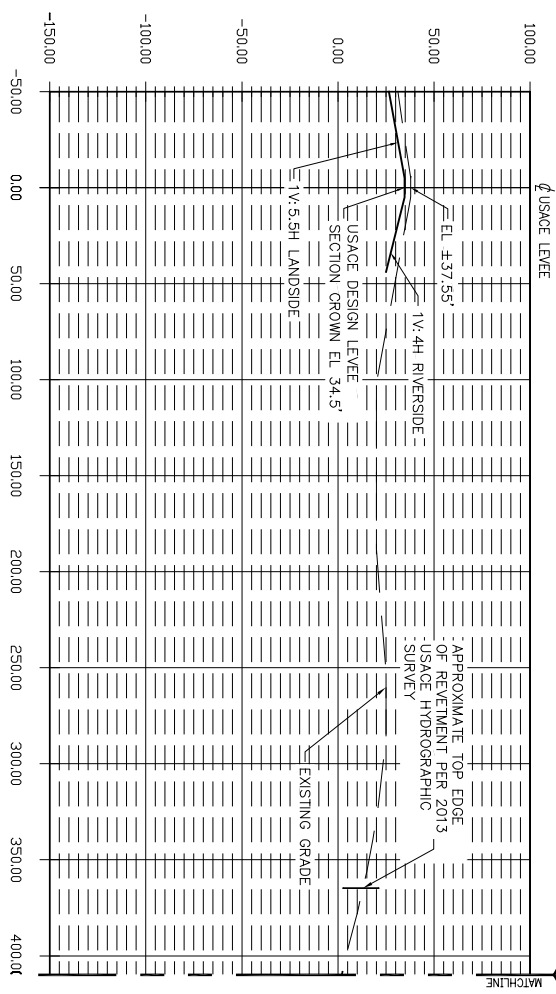
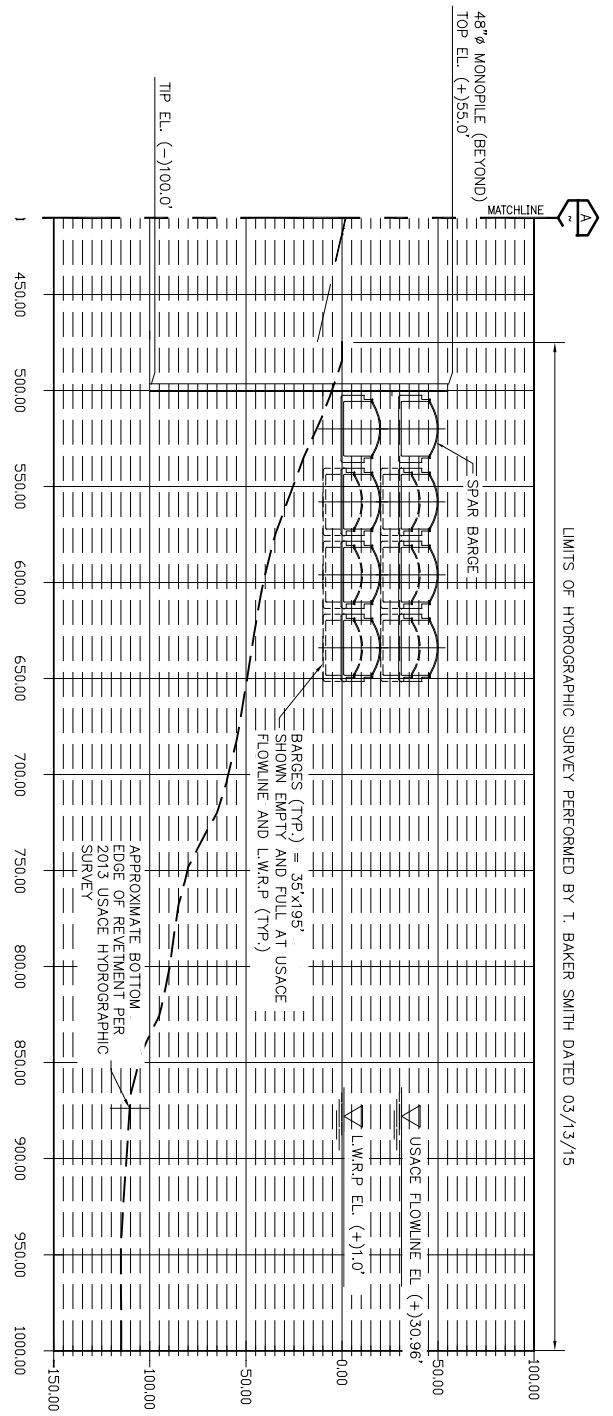


Designed by: SHL  
 Drawn by: SDC  
 Checked by: EAW  
 Approved by: AKF



PROPOSED DOCK MODIFICATIONS  
 FOR  
 MOSAIC FERTILIZER UNCLE SAM PLANT  
 CONVENT, LOUISIANA  
 BARGE FLEETING MONOPILE PLAN, ELEVATION, & DETAILS

PROJ. NO. 14-M223  
 DATE AUG., 2014  
 DRAWING NO. P0003



NOTE:  
 EXISTING CONDITIONS GENERATED  
 USING USAGE HYDROGRAPHIC  
 SURVEY DATA DATED 2013,  
 UNLESS NOTED OTHERWISE.

**A** SECTION - APPROX USAGE STA 3488+00.00



Rev: 2	Description: RE-ISSUED FOR PERMIT	Date: 10/14/16	By: EAW
Rev: 1	Description: RE-ISSUED FOR PERMIT	Date: 10/20/15	By: EAW
Rev: 0	Description: ISSUED FOR PERMIT	Date: 10/23/14	By: EAW

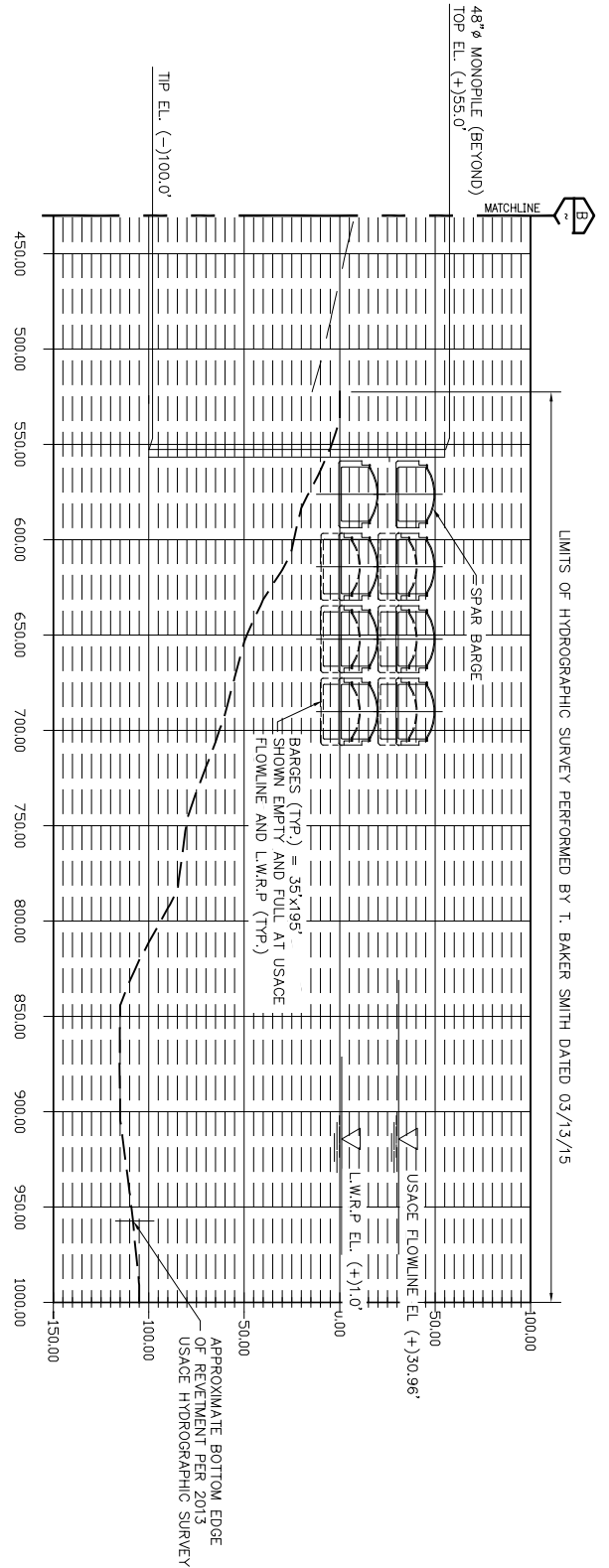
Designed by: SHL  
 Drawn by: SDC  
 Checked by: EAW  
 Approved by: AKF



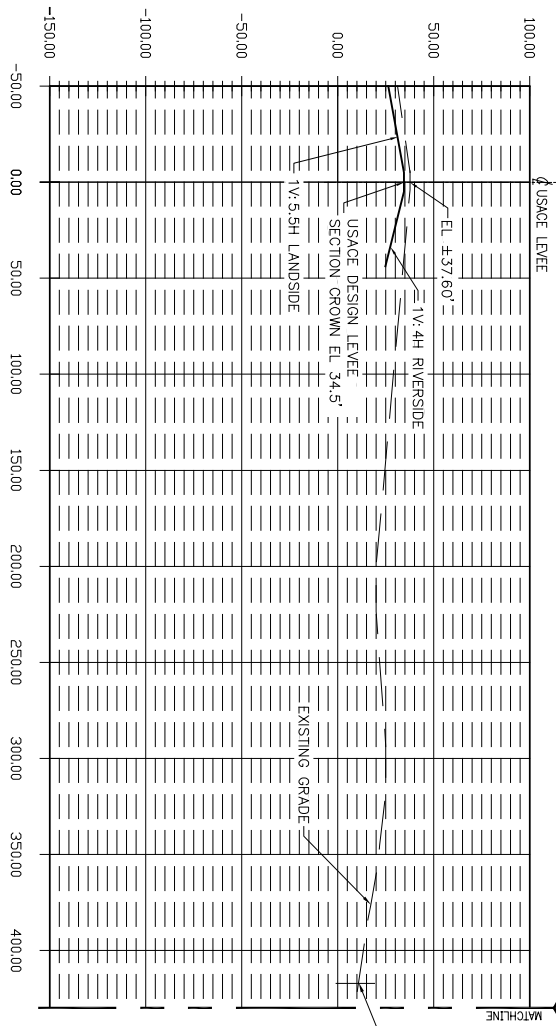
**PROPOSED DOCK MODIFICATIONS**  
 FOR  
**MOSAIC FERTILIZER UNCLE SAM PLANT**  
 CONVENT, LOUISIANA

SECTION - APPROX USAGE STA 3488+00.00

PROJ. NO. 14-M223  
 DATE AUG., 2014  
 DRAWING NO. **P0004**



LIMITS OF HYDROGRAPHIC SURVEY PERFORMED BY T. BAKER SMITH DATED 03/13/15



NOTE:  
EXISTING CONDITIONS GENERATED USING USACE HYDROGRAPHIC SURVEY DATA DATED 2013, UNLESS NOTED OTHERWISE.

**B** SECTION - APPROX USACE STA 3491+91.74 1"=100'-0"



Rev: 2	Description: RE-ISSUED FOR PERMIT	Date: 10/14/16	By: EAW
Rev: 1	Description: RE-ISSUED FOR PERMIT	Date: 10/20/15	By: EAW
Rev: 0	Description: ISSUED FOR PERMIT	Date: 10/23/14	By: EAW

Designed by: SHL  
 Drawn by: SDC  
 Checked by: EAW  
 Approved by: AKF

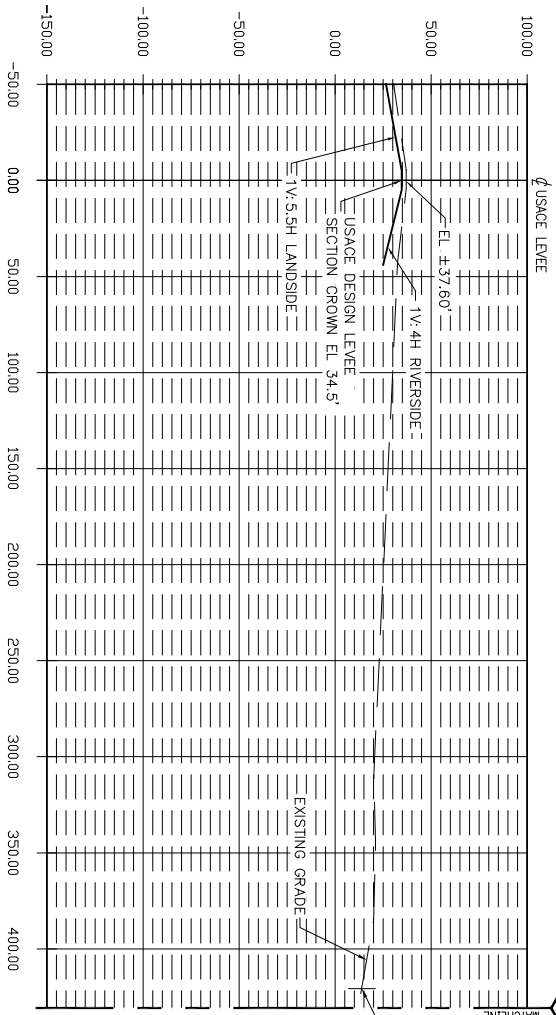
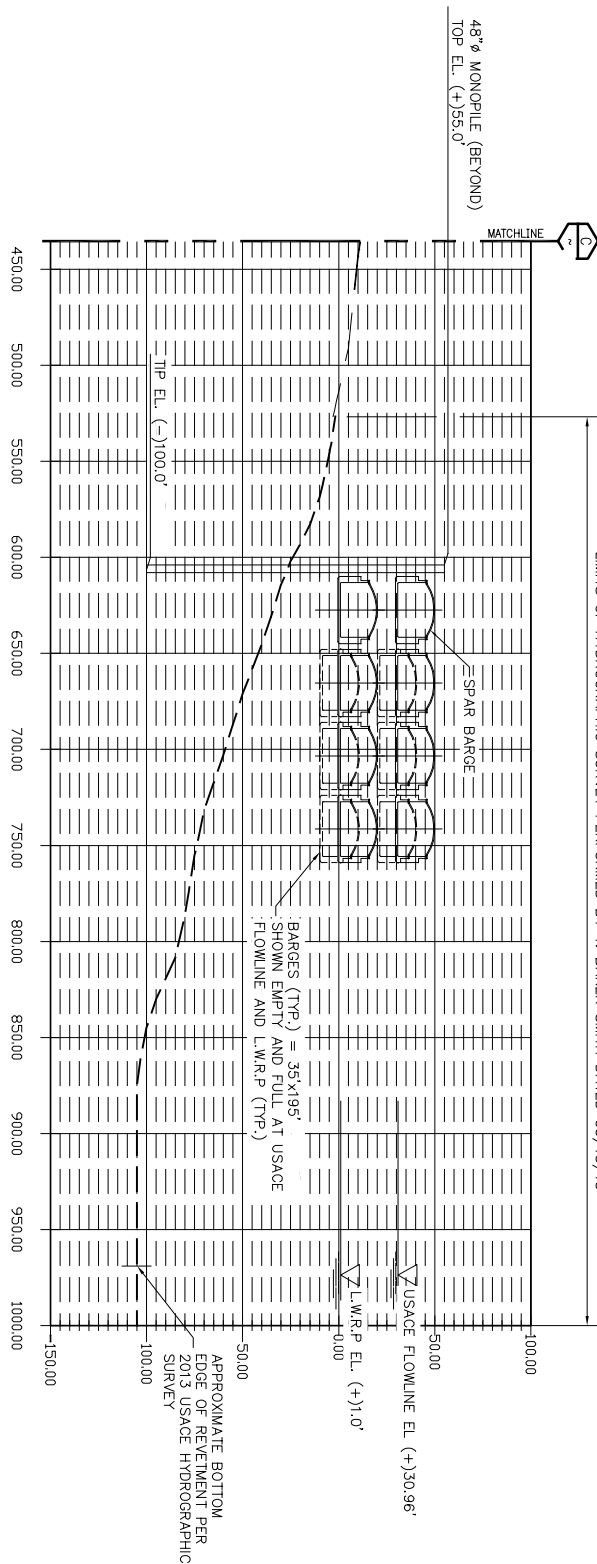


**PROPOSED DOCK MODIFICATIONS**  
 FOR  
**MOSAIC FERTILIZER UNCLE SAM PLANT**  
 CONVENT, LOUISIANA

SECTION - APPROX USACE STA 3491+91.74

PROJ. NO. 14-M223  
 DATE AUG., 2014  
 DRAWING NO. **P0005**

LIMITS OF HYDROGRAPHIC SURVEY PERFORMED BY T. BAKER SMITH DATED 03/13/15



NOTE:  
EXISTING CONDITIONS GENERATED USING USACE HYDROGRAPHIC SURVEY DATA DATED 2013, UNLESS NOTED OTHERWISE.

**SECTION - APPROX USACE STA 3496+62.52**

1"=100'-0"



Rev: 2	Description: RE-ISSUED FOR PERMIT	Date: 10/14/16	By: EAW
Rev: 1	Description: RE-ISSUED FOR PERMIT	Date: 10/20/15	By: EAW
Rev: 0	Description: ISSUED FOR PERMIT	Date: 10/23/14	By: EAW

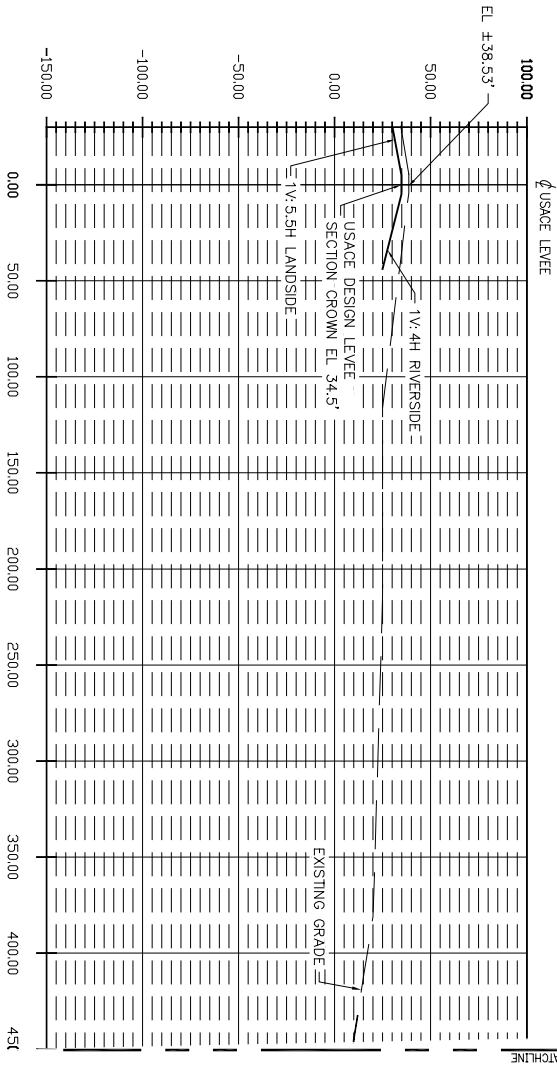
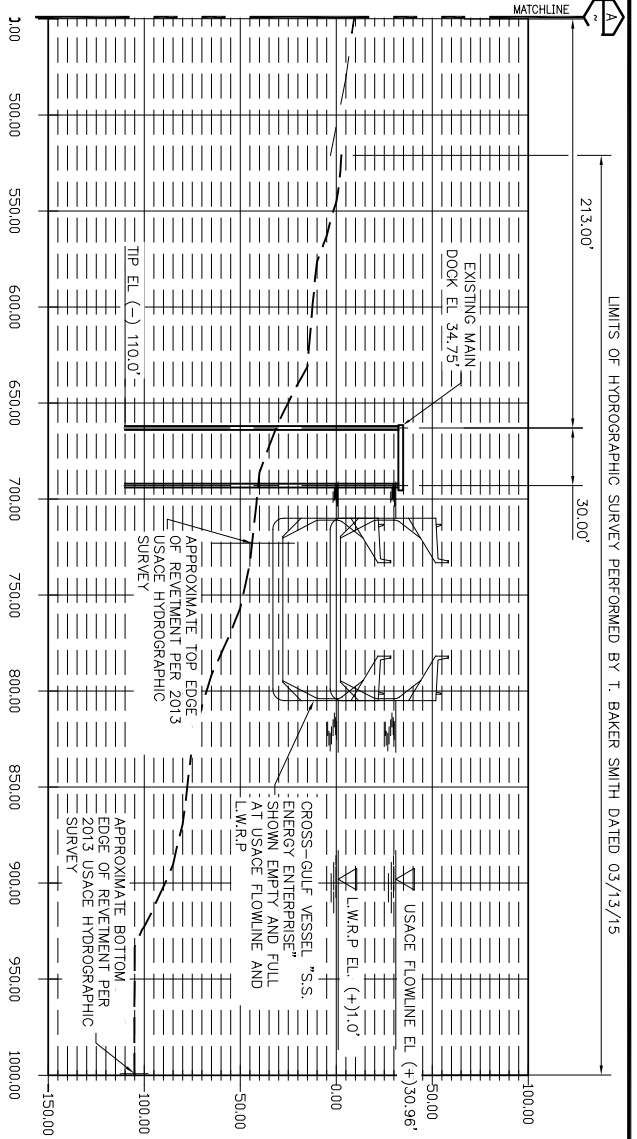
Designed by: SHL  
 Drawn by: SDC  
 Checked by: EAW  
 Approved by: AKF



**PROPOSED DOCK MODIFICATIONS**  
 FOR  
**MOSAIC FERTILIZER UNCLE SAM PLANT**  
 CONVENT, LOUISIANA

SECTION - APPROX USACE STA 3496+62.52

PROJ. NO. 14-M223  
 DATE AUG., 2014  
 DRAWING NO. **P0006**



**D** SECTION - APPROX USACE STA 3504+64.19  
SP0001  
 1"=100'-0"



NOTE:  
 EXISTING CONDITIONS GENERATED  
 USING USACE HYDROGRAPHIC  
 SURVEY DATA DATED 2013.  
 UNLESS NOTED OTHERWISE.

Rev: 2	Description: RE-ISSUED FOR PERMIT	Date: 10/14/16	By: EAW
Rev: 1	Description: RE-ISSUED FOR PERMIT	Date: 10/20/15	By: EAW
Rev: 0	Description: ISSUED FOR PERMIT	Date: 10/23/14	By: EAW

Designed by: SHL  
 Drawn by: SDC  
 Checked by: EAW  
 Approved by: AKF



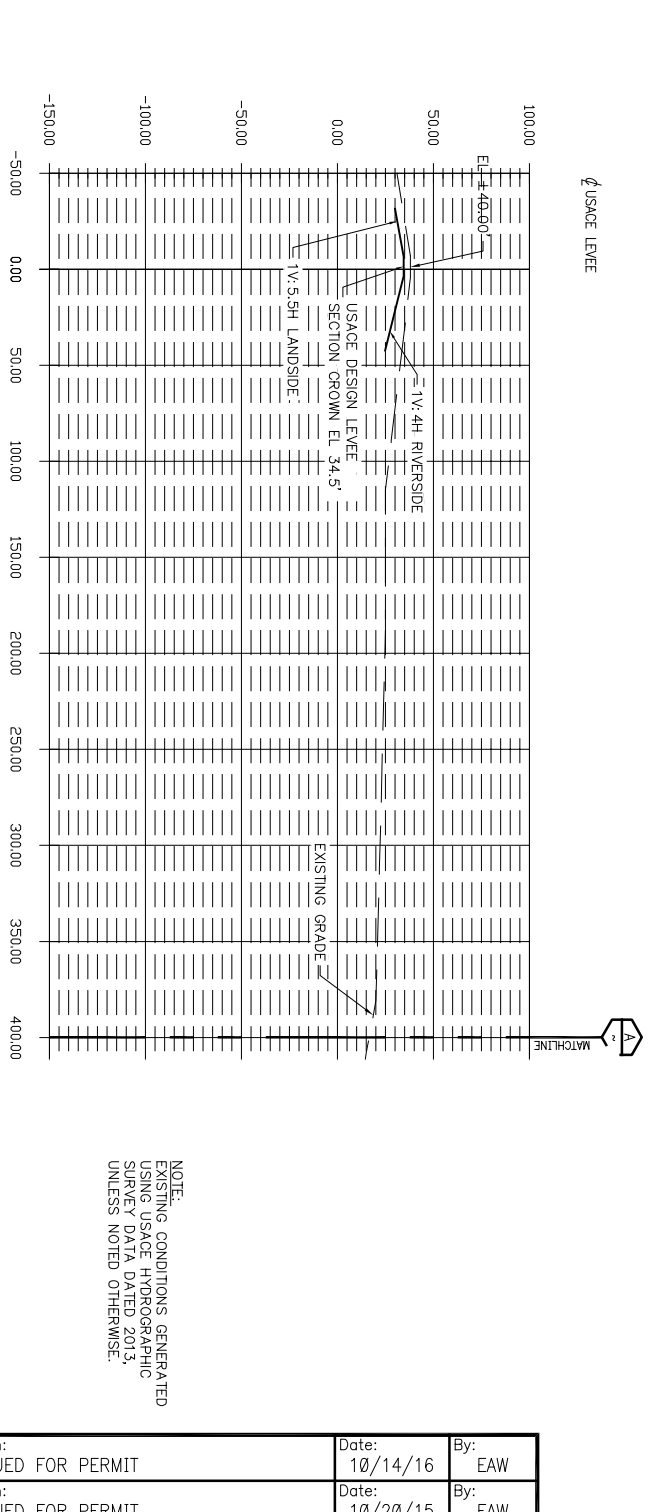
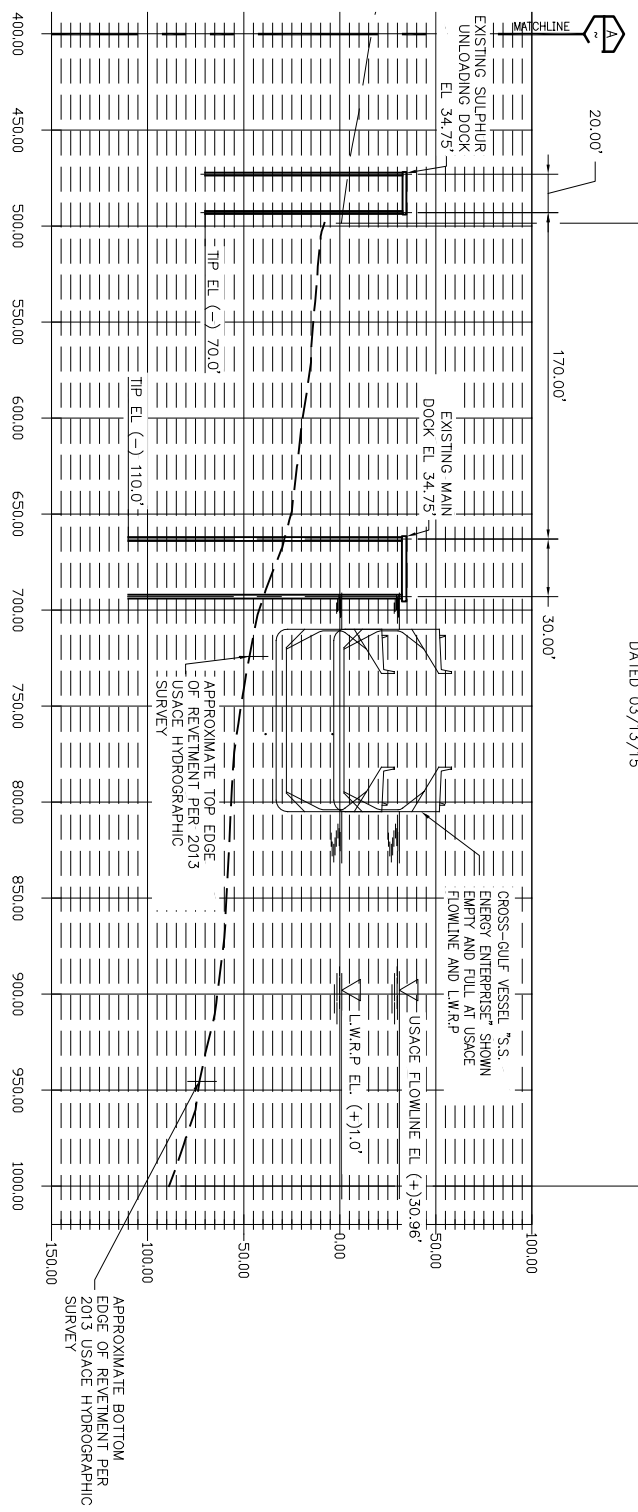
**PROPOSED DOCK MODIFICATIONS**  
 FOR  
**MOSAIC FERTILIZER UNCLE SAM PLANT**  
 CONVENT, LOUISIANA

SECTION - APPROX USACE STA 3504+64.19

PROJ. NO. 14-M223
DATE AUG., 2014
DRAWING NO. <b>P0007</b>



LIMITS OF HYDROGRAPHIC SURVEY PERFORMED BY T. BAKER SMITH  
 DATED 03/13/15



NOTE:  
 EXISTING CONDITIONS GENERATED  
 USING USACE HYDROGRAPHIC  
 SURVEY DATA DATED 2013,  
 UNLESS NOTED OTHERWISE.



SECTION - APPROX USACE STA 3508+49.19 1"=100'-0"

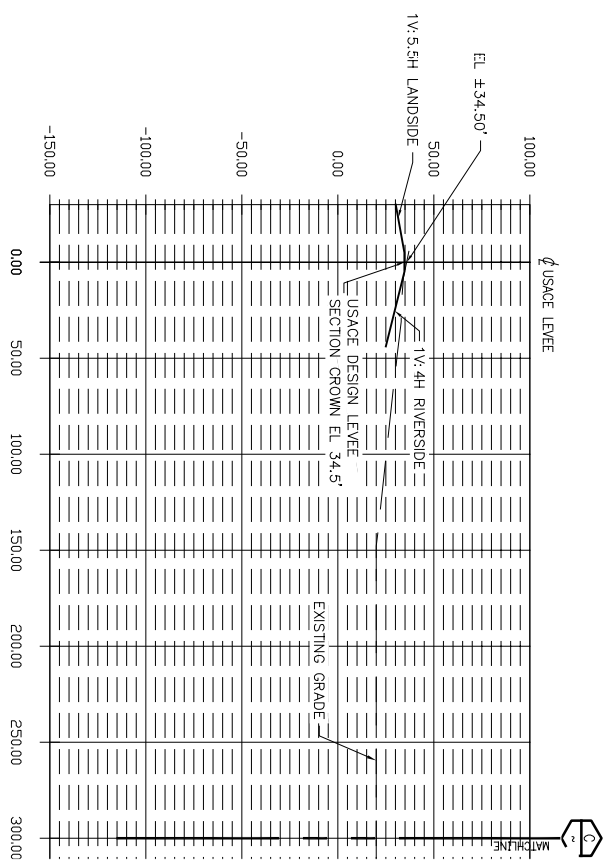
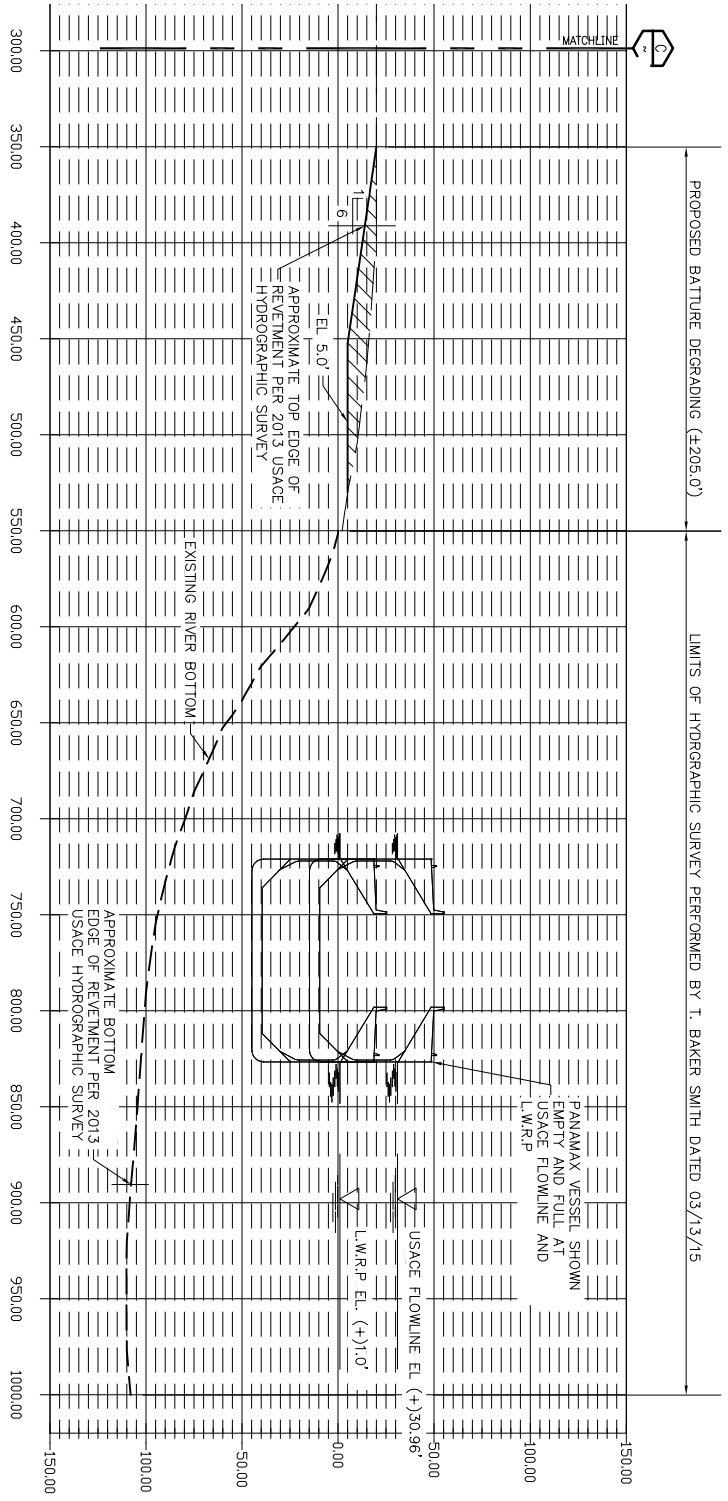
Rev: 2	Description: RE-ISSUED FOR PERMIT	Date: 10/14/16	By: EAW
Rev: 1	Description: RE-ISSUED FOR PERMIT	Date: 10/20/15	By: EAW
Rev: 0	Description: ISSUED FOR PERMIT	Date: 10/23/14	By: EAW

Designed by: SHL  
 Drawn by: SDC  
 Checked by: EAW  
 Approved by: AKF



**PROPOSED DOCK MODIFICATIONS**  
 FOR  
**MOSAIC FERTILIZER UNCLE SAM PLANT**  
 CONVENT, LOUISIANA  
 SECTION - APPROX USACE STA 3508+49.19

PROJ. NO. 14-M223  
 DATE AUG., 2014  
 DRAWING NO. P0008



NOTE:  
 EXISTING CONDITIONS GENERATED  
 USING USACE HYDROGRAPHIC  
 SURVEY DATA DATED 2013,  
 UNLESS NOTED OTHERWISE.

**F** SECTION - APPROX USACE STA 3519+79.47  
 SPR0002

1" = 100' - 0"



Rev: 2	Description: RE-ISSUED FOR PERMIT	Date: 10/14/16	By: EAW
Rev: 1	Description: RE-ISSUED FOR PERMIT	Date: 10/20/15	By: EAW
Rev: 0	Description: ISSUED FOR PERMIT	Date: 10/23/14	By: EAW

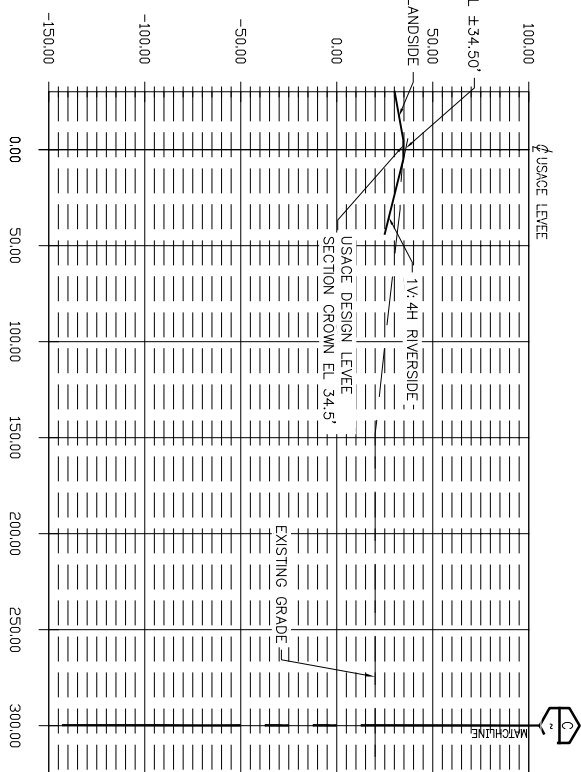
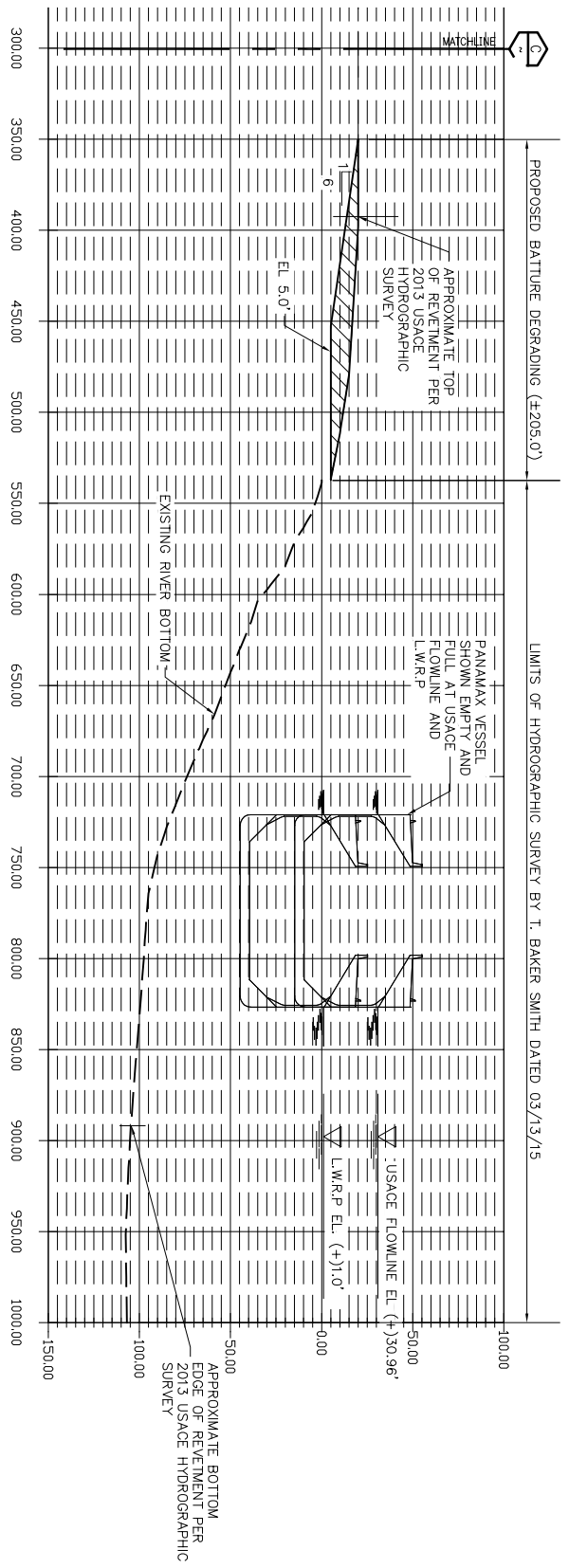
Designed by: SHL  
 Drawn by: SDC  
 Checked by: EAW  
 Approved by: AKF



**PROPOSED DOCK MODIFICATIONS**  
 FOR  
**MOSAIC FERTILIZER UNCLE SAM PLANT**  
 CONVENT, LOUISIANA

SECTION - APPROXIMATE USACE STA 3519+79.47

PROJ. NO. 14-M223
DATE AUG., 2014
DRAWING NO. <b>P0009</b>



NOTE:  
 EXISTING CONDITIONS GENERATED  
 USING USACE HYDROGRAPHIC  
 SURVEY DATA DATED 2013,  
 UNLESS NOTED OTHERWISE.

SECTION - APPROX USACE STA 3520+63.17



Rev: 2	Description: RE-ISSUED FOR PERMIT	Date: 10/14/16	By: EAW
Rev: 1	Description: RE-ISSUED FOR PERMIT	Date: 10/20/15	By: EAW
Rev: 0	Description: ISSUED FOR PERMIT	Date: 10/23/14	By: EAW

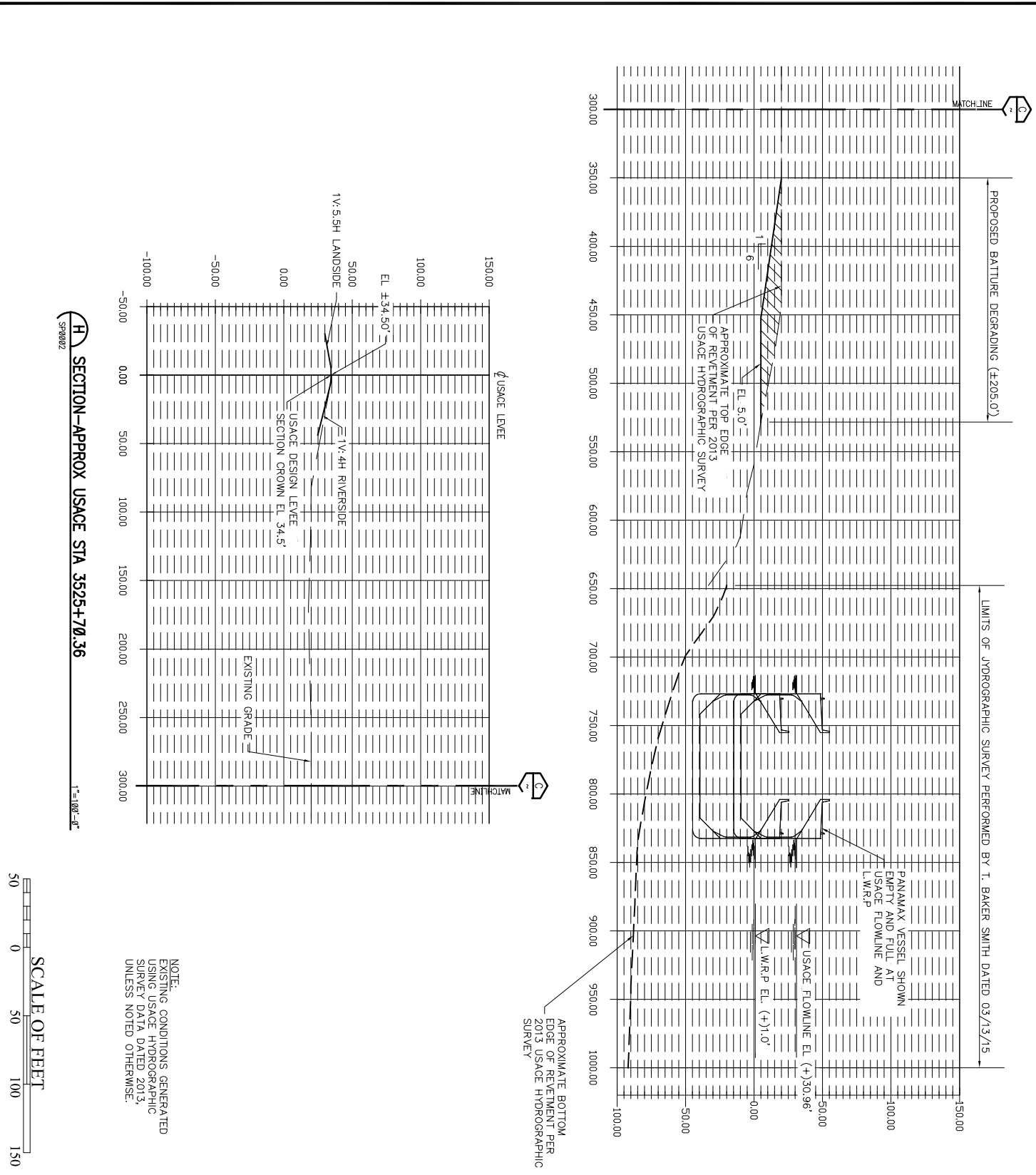
Designed by: SHL  
 Drawn by: SDC  
 Checked by: EAW  
 Approved by: AKF



**PROPOSED DOCK MODIFICATIONS**  
 FOR  
**MOSAIC FERTILIZER UNCLE SAM PLANT**  
 CONVENT, LOUISIANA

SECTION - APPROXIMATE USACE STA 3520+63.17

PROJ. NO. 14-M223  
 DATE AUG., 2014  
 DRAWING NO. P0010



**SECTION - APPROX USACE STA 3525+70.36**

1"=100'-0"



NOTE:  
EXISTING CONDITIONS GENERATED  
USING USACE HYDROGRAPHIC  
SURVEY DATA DATED 2013,  
UNLESS NOTED OTHERWISE.

Rev: 2	Description: RE-ISSUED FOR PERMIT	Date: 10/14/16	By: EAW
Rev: 1	Description: RE-ISSUED FOR PERMIT	Date: 10/20/15	By: EAW
Rev: 0	Description: ISSUED FOR PERMIT	Date: 10/23/14	By: EAW

Designed by: SHL  
 Drawn by: SDC  
 Checked by: EAW  
 Approved by: AKF



**PROPOSED DOCK MODIFICATIONS**  
 FOR  
**MOSAIC FERTILIZER UNCLE SAM PLANT**  
 CONVENT, LOUISIANA

SECTION - APPROXIMATE USACE STA 3525+70.36

PROJ. NO. 14-M223  
 DATE AUG., 2014  
 DRAWING NO. **P0011**

NOTES

1. AS-BUILT DRAWINGS WILL BE SUBMITTED WITHIN 30 DAYS OF COMPLETION OF THIS PROJECT TO THE LOUISIANA DEPARTMENT OF NATURAL RESOURCES, OFFICE OF CONSERVATION, PIPELINE DIVISION, P. O. BOX 94275, BATON ROUGE, LA 70804, AND TO THE LOUISIANA DEPARTMENT OF NATURAL RESOURCES, COASTAL MANAGEMENT DIVISION, P. O. BOX 44487, BATON ROUGE, LA 70804-4487.
2. ALL STRUCTURES, FACILITIES, WELL AND PIPELINES/FLOWLINES OCCURRING IN OPEN WATER AREAS OR IN OILFIELD CANALS OR SLIPS SHALL BE REMOVED WITHIN 120 DAYS OF ABANDONMENT OR THE FACILITIES FOR THE HEREIN PERMITTED USE UNLESS PRIOR WRITTEN APPROVAL TO LEAVE SUCH STRUCTURES IN PLACE IS RECEIVED FROM THE COASTAL MANAGEMENT DIVISION. THIS CONDITION DOES NOT PRECLUDE THE NECESSITY FOR REVISING THE CURRENT PERMIT OR OBTAINING A SEPARATE COASTAL USE PERMIT, SHOULD ONE BE REQUIRED.
3. STRUCTURES MUST ALSO BE MARKED/LIGHTED IN ACCORDANCE WITH U.S. COAST GUARD REGULATIONS.
4. IN ORDER TO ENSURE THE SAFETY OF ALL PARTIES, THE PERMITTEE SHALL CONTACT THE LOUISIANA ONE CALL SYSTEM (1-800-272-3020) A MINIMUM OF 48 HOURS PRIOR TO THE COMMENCEMENT OF ANY EXCAVATION (DIGGING, DREDGING, JETTING, ETC.) OR DEMOLITION ACTIVITY.
5. CONSTRUCTION OVER THE LEVEE AND CONSTRUCTION WITHIN 10 FEET OF THE TOE IS LIMITED TO RIVER STAGES BELOW +11 FEET ON THE CARROLLTON GAGE.
6. PILE DRIVING IS LIMITED TO RIVER STAGES BELOW +11 FEET ON THE CARROLLTON GAGE.

Rev: 2	Description: RE-ISSUED FOR PERMIT	Date: 10/14/16	By: EAW
Rev: 1	Description: RE-ISSUED FOR PERMIT	Date: 10/20/15	By: EAW
Rev: 0	Description: ISSUED FOR PERMIT	Date: 10/23/14	By: EAW

Designed by: SHL
Drawn by: SDC
Checked by: EAW
Approved by: AKF



**RIVER CONSULTING®**  
WWW.RIVERCONSULTING.COM

PROPOSED DOCK MODIFICATIONS FOR MOSAIC FERTILIZER UNCLE SAM PLANT CONVENT, LOUISIANA
NDSI NOTES

PROJ. NO. 14-M223
DATE AUG., 2014
DRAWING NO. P0013