



DEPARTMENT OF THE ARMY
NEW ORLEANS DISTRICT, CORPS OF ENGINEERS
P. O. BOX 60267
NEW ORLEANS, LOUISIANA 70160-0267

July 22, 2013

Operations Division
Central Evaluation Section
Project Manager
Doris Terrell
(504) 862-1588
Doris.Terrell@usace.army.mil

SUBJECT: MVN-2013-1233-CU

PUBLIC NOTICE

Interested parties are hereby notified that a permit application has been received by the New Orleans District of the U.S. Army Corps of Engineers pursuant to: [X] Section 10 of the Rivers and Harbors Act of March 3, 1899 (30 Stat. 1151; 33 USC 403).

BARGE LOADING DOCK/WAVE PLATFORM ON THE GIWW

NAME OF APPLICANT: SOUTHERN RECYCLING-EMR, ATTN: George O. Starke, 902 Julia Street, New Orleans, Louisiana 70113

LOCATION OF WORK: On the Gulf Intracoastal Waterway, left descending bank, within the Terrebonne Basin – Lower Grand River (HUC 08070300), in Port Allen, Louisiana, in WEST BATON ROUGE PARISH, as shown on the attached drawings.

CHARACTER OF WORK: Install and maintain a pile-supported steel platform with concrete deck for loading and unloading scrap from pile to barge. The proposed platform is adjacent to an existing platform. The proposed work is to be located within an area about 60 feet long and 24 feet wide, as shown on the drawings.

The comment period for the Department of the Army Permit will close **15 days** from the date of this joint public notice. Written comments, including suggestions for modifications or objections to the proposed work, stating reasons thereof, are being solicited from anyone having an interest in this permit request and must be mailed so as to be received before or by the last day of the comment period. Letters concerning the Corps of Engineers permit application must reference the applicant's name and the Permit Application Number, and be mailed to the Corps of Engineers at the address above, **ATTENTION: REGULATORY BRANCH**. Individuals or parties may request an extension of time in which to comment on the proposed work by writing or emailing the project manager listed above. Any request must be specific and substantively supportive of the requested extension, and received by this office prior to the end of the initial comment period. The Section Chief will review the request and the requestor will be promptly notified of the decision to grant or deny the request. If granted, the time extension will be continuous to the initial comment period and, inclusive of the initial comment period, will not exceed a total of 30 calendar days.

The decision whether to issue a permit will be based on an evaluation of the probable impact including cumulative impacts of the proposed activity on the public interest. That decision will

reflect the national concern for both protection and utilization of important resources. The benefit which reasonably may be expected to accrue from the proposal must be balanced against its reasonably foreseeable detriments. All factors which may be relevant to the proposal will be considered including the cumulative effects thereof; among those are conservation, economics, aesthetics, general environmental concerns, wetlands, historic properties, fish and wildlife values, flood hazards, floodplain values, land use, navigation, shoreline erosion and accretion, recreation, water supply and conservation, water quality, energy needs, safety, food and fiber production, mineral needs, considerations of property ownership and, in general, the needs and welfare of the people.

The Corps of Engineers is soliciting comments from the public; federal, state, and local agencies and officials; Indian Tribes; and other interested parties in order to consider and evaluate the impacts of this proposed activity. Any comments received will be considered by the Corps of Engineers to determine whether to issue, modify, condition or deny a permit for this proposal. To make this decision, comments are used to assess impacts on endangered species, historic properties, water quality, general environmental effects, and the other public interest factors listed above. Comments are used in the preparation of an Environmental Assessment and/or Environmental Impact Statement pursuant to the National Environmental Policy Act. Comments are also used to determine the need for a public hearing and to determine the overall public interest of the proposed activity.

No properties listed in the National Register of Historic Places are near the proposed work. The possibility exists that the proposed work may damage or destroy presently unknown archeological, scientific, prehistorical, or historical sites or data. Copies of this notice are being sent to the State Archeologist and the State Historic Preservation Officer.

Our initial finding is that the proposed work would neither affect any species listed as endangered by the U.S. Department of Interior nor affect any habitat designated as critical to the survival and recovery of any endangered species.

This notice initiates the Essential Fish Habitat (EFH) consultation requirements of the Magnuson-Stevens Fishery Conservation and Management Act. The applicant's proposal would result in the destruction or alteration of __ acre(s) of EFH utilized by various life stages of red drum and penaeid shrimp. Our initial determination is that the proposed action would not have a substantial adverse impact on EFH or federally managed fisheries in the Gulf of Mexico. Our final determination relative to project impacts and the need for mitigation measures is subject to review by and coordination with the National Marine Fisheries Service.

If the proposed work involves deposits of dredged or fill material into navigable waters, the evaluation of the probable impacts will include the application of guidelines established by the Administrator of the Environmental Protection Agency and certification that the proposed activity will not violate applicable water quality standards will be required from the Department of Environmental Quality, Office of Environmental Services before a permit is issued.

Any person may request, in writing, within the comment period specified in this notice, that a public hearing be held to consider this application. Requests for public hearings shall state, with particularity, the reasons for holding a public hearing.

You are requested to communicate the information contained in this notice to any other parties whom you deem likely to have interest in the matter.

John M. Herman
Chief, Central Evaluation Section



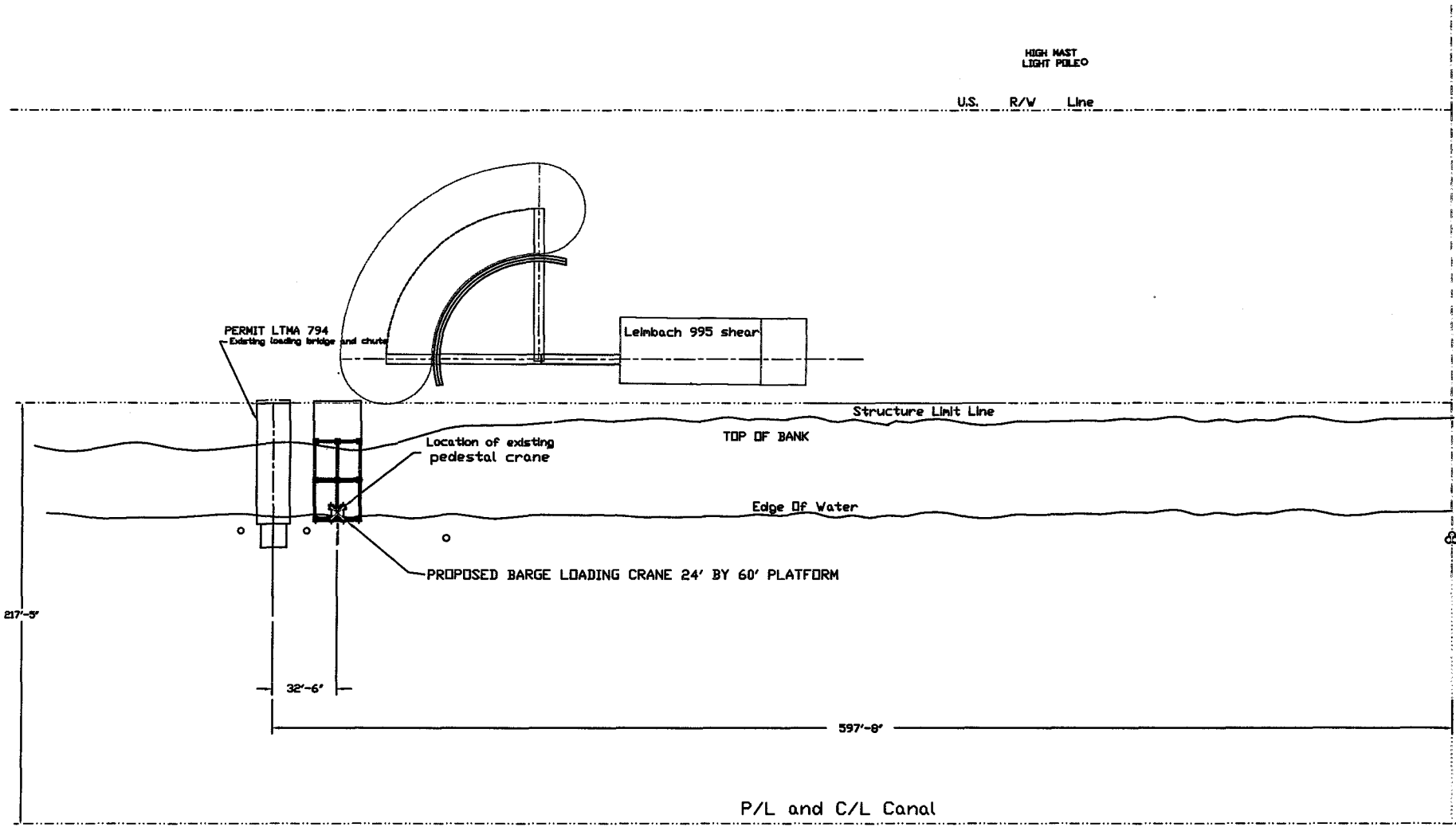
© 2013 Southern Recycling-EMR

902 Julia Street New Orleans AL 70113 504 636 7210

THIS IS THE PROPERTY OF SOUTHERN RECYCLING. DO NOT COPY OR DUPLICATE WITHOUT PRIOR WRITTEN CONSENT OF SOUTHERN RECYCLING

BARGE LOADING CRANE PLATFORM

LOCATION: PORT ALLEN, LA	DATE: 4-15-13	EQUIP:
DWG. LOADING PLATFORM-1	SCALE: 1"=40'	DEPT:



STAT 715+8.31

Southern Recycling EMR

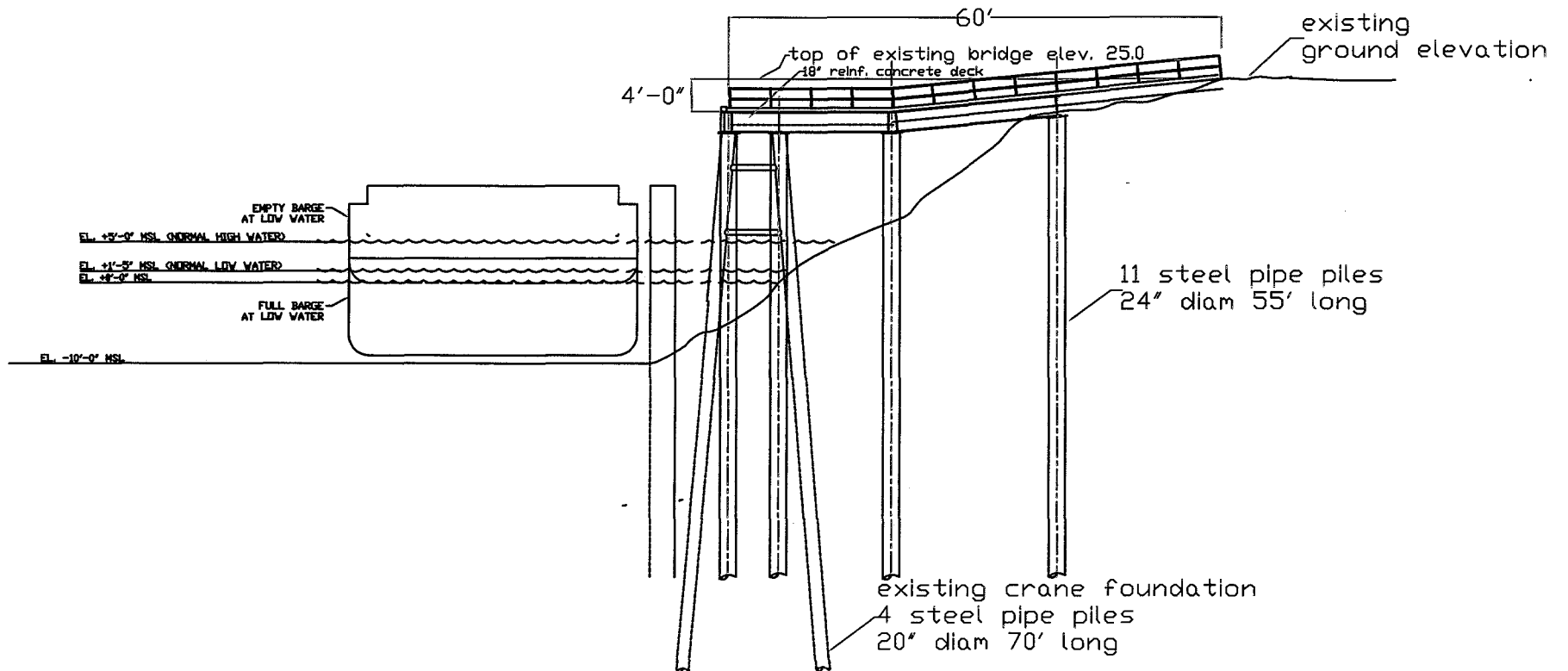
902 Julia Street New Orleans, LA 70113 USA

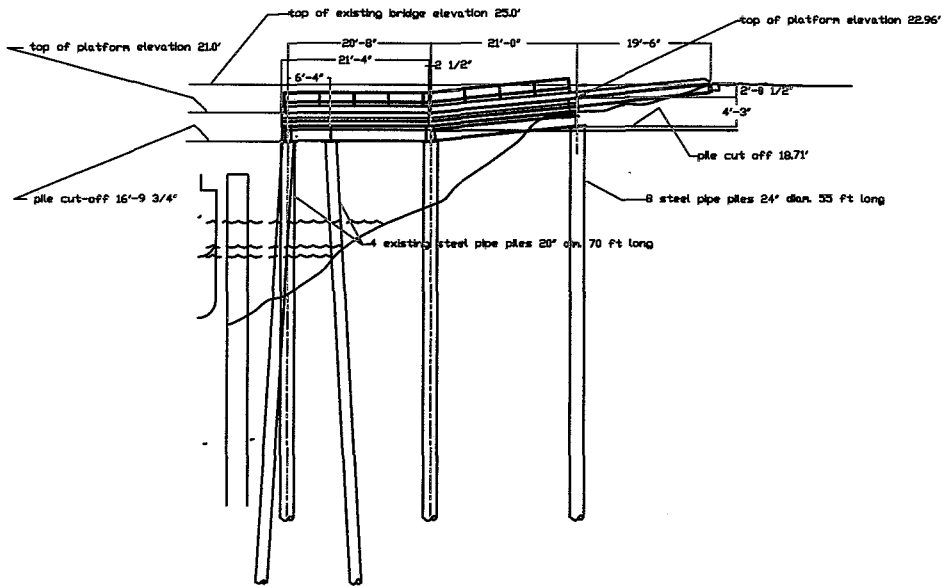
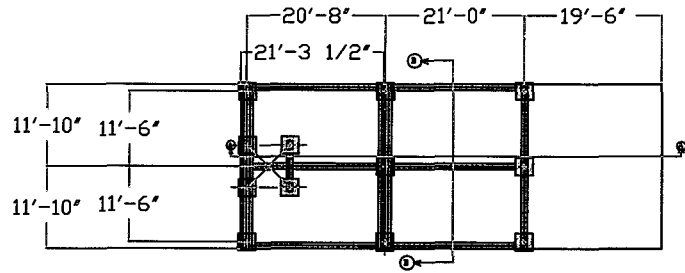
THIS IS THE PROPERTY OF SOUTHERN RECYCLING. DO NOT COPY OR DUPLICATE WITHOUT PRIOR WRITTEN CONSENT OF SOUTHERN RECYCLING EMR

TITLE: BARGE LOADING PLATFORM

LOCATION: PORT ALLEN DATE: 4/15/13 EQUIP:

DWG #1 LOADING PLATFORM-2 SCALE: DEPT:





Southern Recycling EMR

902 JULIA STREET NEW ORLEANS, LA 70113 ■ 504 636 7210

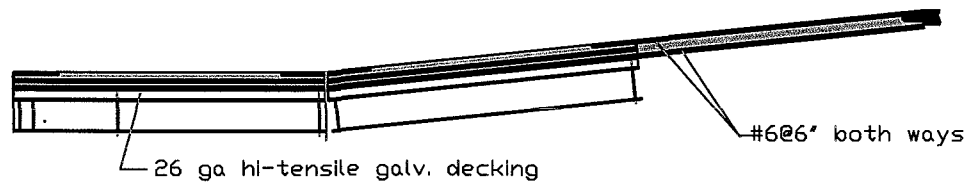
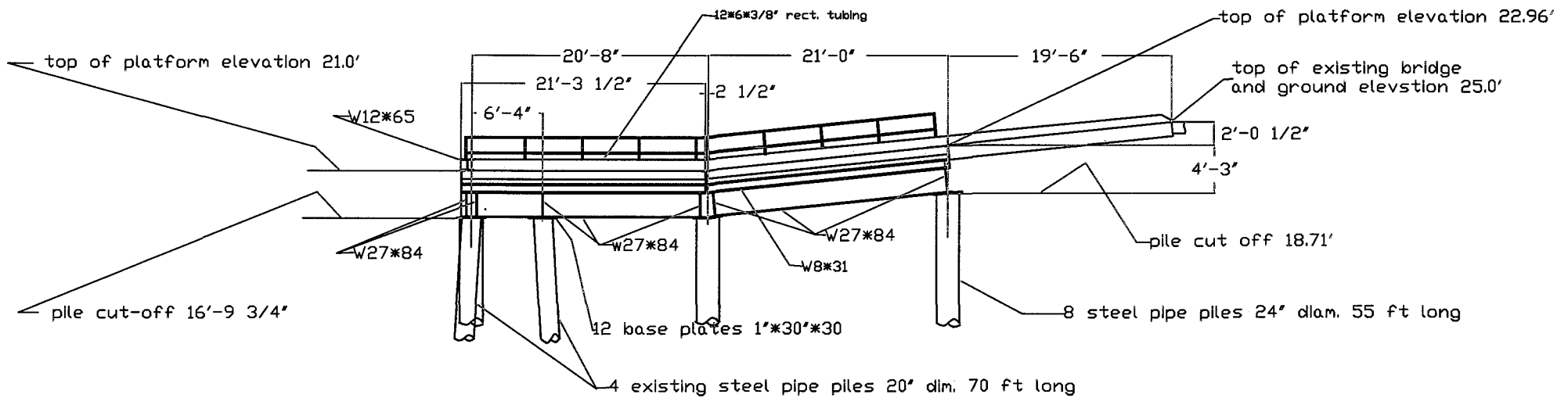
THIS IS THE PROPERTY OF SOUTHERN RECYCLING. DO NOT COPY OR
DUPLICATE WITHOUT PRIOR WRITTEN CONSENT OF SOUTHERN RECYCLING EMR

TITLE: BARGE LOADING PLATFORM

LOCATION: PORT ALLEN DATE: 4/15/13 EQUIP:

DWG #: LOADING PLATFORM-3 SCALE: DEPT:

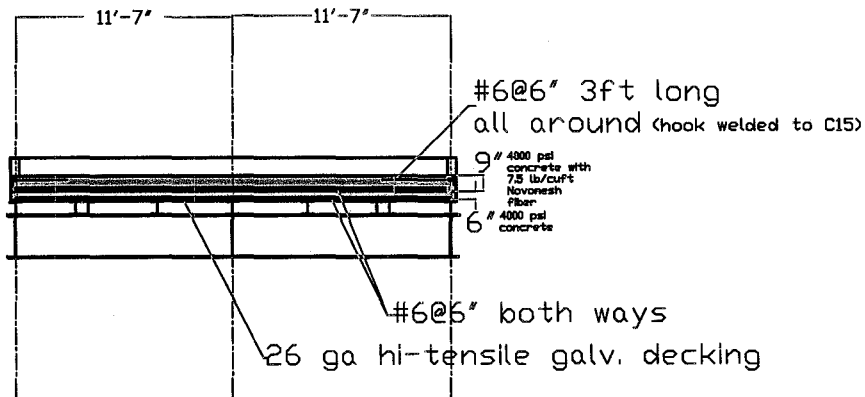
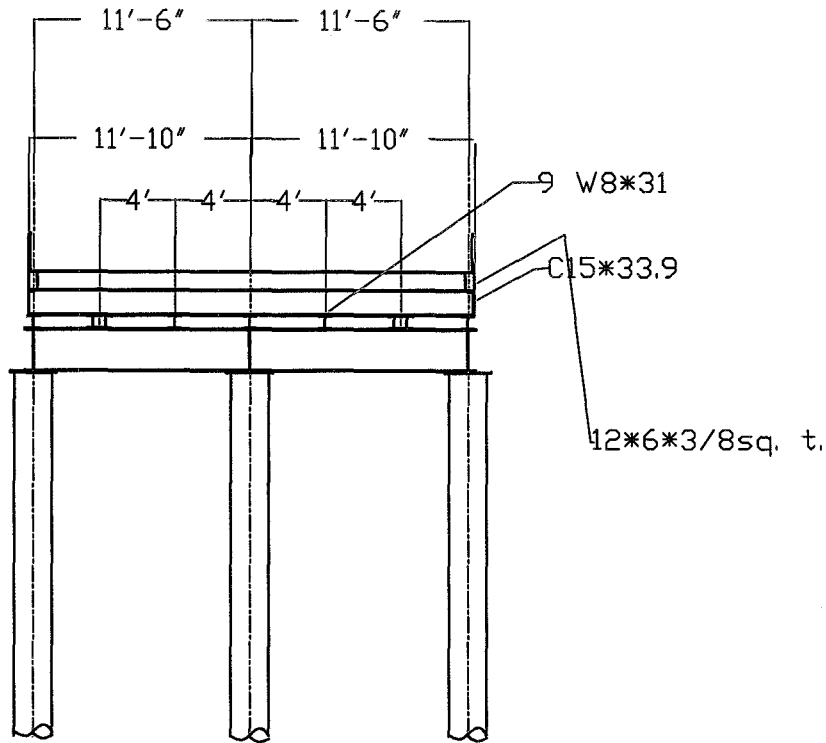
SECTION A-A SIDE ELEVATION



Southern Recycling EMR			
<small>908 JALIA STREET NEW ORLEANS, LA 70119 • 504 536 7229</small>			
THIS IS THE PROPERTY OF SOUTHERN RECYCLING. DO NOT COPY OR DUPLICATE WITHOUT PRIOR WRITTEN CONSENT OF SOUTHERN RECYCLING EMR			
TITLE: BARGE LOADING PLATFORM (cross section)			
LOCATION: PORT ALLEN	DATE: 4/15/13	EQUIP:	
DWG #: LOADING PLATFORM-4	SCALE:	DEPT:	

SECTION B-B

FRONT ELEVATION



<h2 style="margin: 0;">Southern Recycling EMR</h2> <p style="font-size: small; margin: 0;">502 JULIA STREET NEW ORLEANS, LA 70113 ■ 504 636 7210</p>			
<p style="font-size: x-small; margin: 0;">THIS IS THE PROPERTY OF SOUTHERN RECYCLING. DO NOT COPY OR DUPLICATE WITHOUT PRIOR WRITTEN CONSENT OF SOUTHERN RECYCLING EMR</p>			
TITLE:		BARGE LOADING PLATFORM (cross section)	
LOCATION:	PORT ALLEN	DATE: 4/15/13	EQUIP:
DWG #:	LOADING PLATFORM-5	SCALE:	DEPT: