

JOINT PUBLIC NOTICE

September 8, 2020

United States Army
Corps of Engineers
New Orleans District
Regulatory Branch, ODR-E
7400 Leake Avenue
New Orleans, Louisiana 70118

State of Louisiana
Department of Environmental Quality
Water Permits Division
Post Office Box 4313
Baton Rouge, Louisiana 70821-4313

Project Manager
Brad LaBorde
(504) 862-2225
Brad.LaBorde@usace.army.mil
Permit Application Number
MVN 2012-0084 EOO

Project Manager
Elizabeth Hill
(225) 219-3225

WQC Application Number
WQC 200824-01

Interested parties are hereby notified that a permit application has been received by the New Orleans District (MVN) of the U.S. Army Corps of Engineers pursuant to: [X] Section 10 of the Rivers and Harbors Act of March 3, 1899 (30 Stat. 1151; 33 USC 403); and/or [X] Section 404 of the Clean Water Act (86 Stat. 816; 33 USC 1344).

Application has also been made to the Louisiana Department of Environmental Quality, Water Quality Certifications, for a Water Quality Certification (WQC) in accordance with statutory authority contained in LRS30:2047 A(3), and provisions of Section 401 of the Clean Water Act (P.L.95-17).

Grand Isle Port Facility Bulkhead and Pier Repairs, in Jefferson Parish, Louisiana

Name of Applicant: Wayne Keller, Grand Isle Port Commission, Post Office Box 500, Grand Isle, Louisiana 70658.

Location of Work: Along Bayou Rigaud and in Grand Isle at the end of Oak Lane where the Grand Isle Port Facility is located in Jefferson Parish, Louisiana.
Latitude: 29.243056, Longitude: -89.992122
Hydrologic Unit Code: 08090301 – East Central Louisiana Coastal

Character of Work: The applicant is proposing a permit modification and time extension for an existing permit to repair two existing bulkheads and piers, and to install a new concrete parking area at the Grand Isle Port Facility. The walkway for the pier on the easternmost portion of the property would be repaired and nine 3 pile mooring clusters would be installed. Wood and concrete debris from a collapsed dock would be removed (58 cubic yards) from the channel. New vinyl and steel sheetpile would be installed for a new concrete parking area. The walkway for the pier on the west side of the property would be repaired and seven 3 pile mooring clusters would be installed. New steel sheetpile will be installed for a new concrete parking area. In addition, maintenance dredging of approximately 3,700 cubic yards would impact 0.4 acres of non-vegetated waterbottoms. In total, 433 cubic yards of concrete, 860 cubic yards of rock material, and 800 cubic yards of hauled in dirt would

be placed onsite. The applicant is not proposing impacts to jurisdictional wetlands; as such, no compensatory mitigation is anticipated at this time

The comment period for the Department of the Army Permit and the Louisiana Department of Environmental Quality WQC will close **20 days** from the date of this joint public notice. Written comments, including suggestions for modifications or objections to the proposed work, stating reasons thereof, are being solicited from anyone having interest in this permit and/or this WQC request and must be mailed so as to be received before or by the last day of the comment period. Letters concerning the Corps of Engineers permit application must reference the applicant's name and the Permit Application Number, and be mailed to the Corps of Engineers at the address above, **ATTENTION: REGULATORY BRANCH**. **Individuals or parties may request an extension of time in which to comment on the proposed work by writing or e-mailing the Corps of Engineers Project Manager listed above. Any request must be specific and substantively supportive of the requested extension, and received by this office prior to the end of the initial comment period. The Section Chief will review the request and the requestor will be promptly notified of the decision to grant or deny the request. If granted, the time extension will be continuous to the initial comment period and, inclusive of the initial comment period, will not exceed a total of 30 calendar days.** Similar letters concerning the Water Quality Certification must reference the applicant's name and the WQC Application number and be mailed to the Louisiana Department of Environmental Quality at the address above.

The application for this proposed project is on file with the Louisiana Department of Environmental Quality and may be examined during weekdays between 8:00 a.m. and 4:30 p.m. Copies may be obtained upon payment of costs of reproduction.

Corps of Engineers Permit Criteria

The decision whether to issue a permit will be based on an evaluation of the probable impacts, including cumulative impacts of the proposed activity on the public interest. That decision will reflect the national concern for both protection and utilization of important resources. The benefit which reasonably may be expected to accrue from the proposal must be balanced against its reasonably foreseeable detriments. All factors which may be relevant to the proposal will be considered including the cumulative effects thereof; among those are conservation, economics, aesthetics, general environmental concerns, wetlands, historic properties, fish and wildlife values, flood hazards, floodplain values, land use, navigation, shoreline erosion and accretion, recreation, water supply and conservation, water quality, energy needs, safety, food and fiber production, mineral needs, considerations of property ownership and, in general, the needs and welfare of the people.

The U.S. Army Corps of Engineers is soliciting comments from the public, federal, state, and local agencies and officials, Indian Tribes, and other interested parties in order to consider and evaluate the impacts of this proposed activity. Any comments received will be considered by the U.S. Army Corps of Engineers to determine whether to make, modify, condition, or deny a permit for this proposal. To make this decision, comments are used to assess impacts on endangered species, historic properties, water quality, general environmental effects, and other public interest factors listed above. Comments are used in the preparation of an Environmental Assessment and/or an Environmental Impact Statement pursuant to the National Environmental Policy Act. Comments are also used to determine the need for a public hearing and to determine the overall public interest of the proposed activity.

MVN is unaware of properties listed on the National Register of Historic Places near the proposed work. The possibility exists that the proposed work may damage or destroy presently unknown archeological, scientific, prehistorical, historical sites, or data. Issuance of this public notice solicits input from the State Archeologist and State Historic Preservation Officer regarding potential impacts to cultural resources.

The Information for Planning and Consultation for Endangered Species in Louisiana (IPaC) was utilized on August 28, 2020 to determine that the proposed activity “may affect, not likely to adversely affect” (NLAA) the Threatened West Indian Manatee.

If the proposed work involves deposits of dredged or fill material into navigable waters, the evaluation of the probable impacts will include the application of guidelines established by the Administrator of the Environmental Protection Agency. Also, a certification that the proposed activity will not violate applicable water quality standards will be required from the Department of Environmental Quality, Water Quality Certifications, before a permit is issued.

Any person may request, in writing, within the comment period specified in this notice, that a public hearing be held to consider this application. Requests for public hearings shall state, with particularity, the reasons for holding a public hearing.

The applicant has certified that the proposed activity described in the application complies with and will be conducted in a manner that is consistent with the Louisiana Coastal Resources Program. The Department of the Army permit will not be issued unless the applicant received approval or a waiver of the Coastal Use Permit by the Department of Natural Resources.

You are requested to communicate the information contained in this notice to any other parties whom you deem likely to have interest in the matter.

Michael V. Farabee
Chief, Eastern Evaluation Section

Enclosure

ARKANSAS



TEXAS

MISSISSIPPI

★ BATON ROUGE

★ NEW ORLEANS

GULF OF MEXICO

PROJECT SITE
GRAND ISLE, LA

APPLICATION BY:
GRAND ISLE PORT
COMMISSION

GRAND ISLE EXISTING PORT
COMMISSION FACILITY REPAIR WORK

FILE NAME:
GIPC-GRAND ISLE

JEFFERSON PARISH
SEC. 28, T22S-R24E
N 29°14'37"
W 89°59'25"



PROFESSIONAL
ENGINEERING AND
ENVIRONMENTAL
CONSULTANTS, INC.

ENGINEERS, PLANNERS AND ENVIRONMENTAL CONSULTANTS
1065 Muller Parkway, Suite B, Westwego, LA 70094

DATE: SEPT. 2019

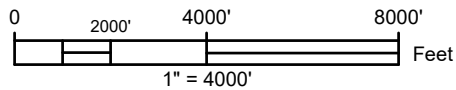
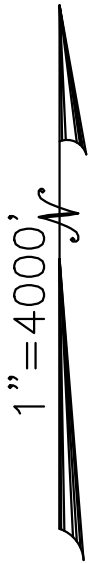
REV.
NO.


COVER SHEET

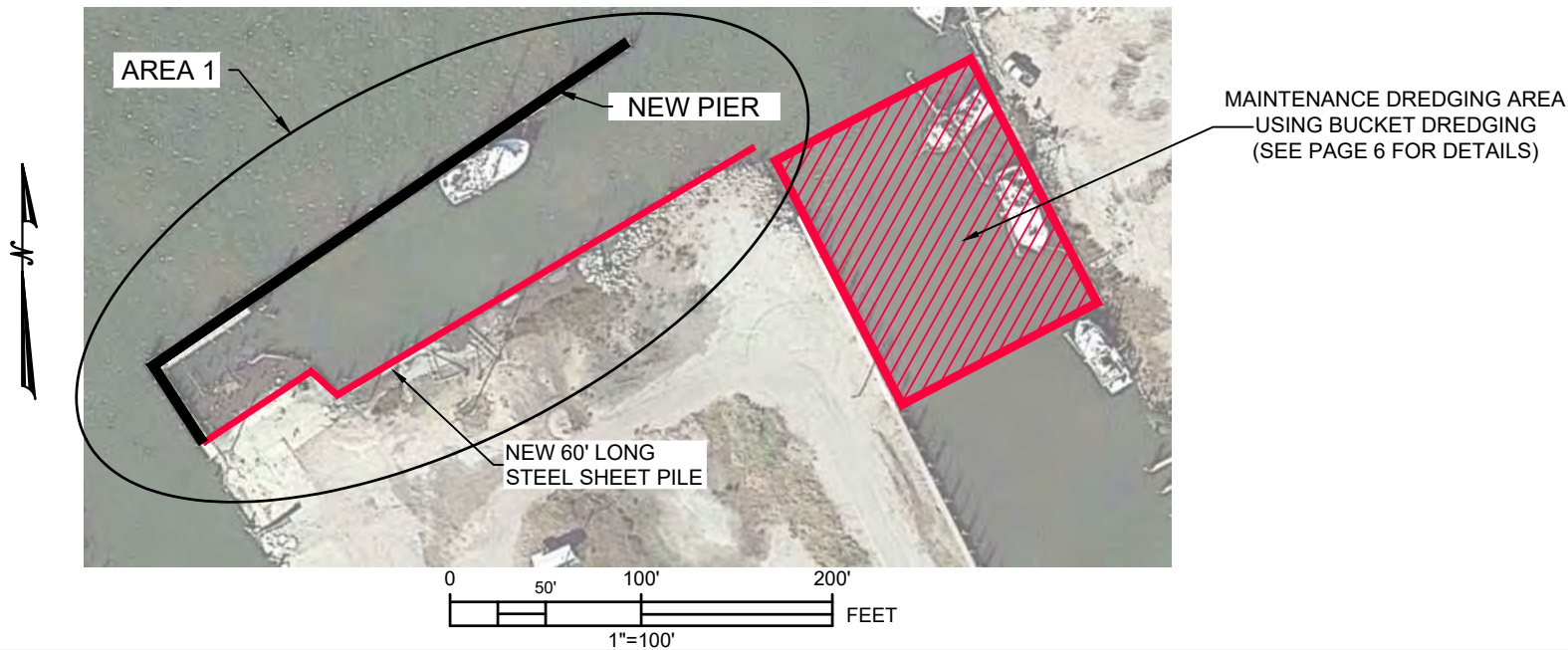
SHEET 1 OF 8



PROJECT SITE



APPLICATION BY: GRAND ISLE PORT COMMISSION	GRAND ISLE EXISTING PORT COMMISSION FACILITY REPAIR WORK		FILE NAME: GIPC-GRAND ISLE	 <p>PROFESSIONAL ENGINEERING AND ENVIRONMENTAL CONSULTANTS, INC. ENGINEERS, PLANNERS AND ENVIRONMENTAL CONSULTANTS 1065 Muller Parkway, Suite B, Westwego, LA 70094</p>
DATE: SEPT. 2019	REV. NO.	OVERALL VIEW SHEET LOCATION	JEFFERSON PARISH SEC. 28, T22S-R24E N 29°14'37" W 89°59'25"	
SHEET 2 OF 8				



APPLICATION BY:
GRAND ISLE PORT
COMMISSION

GRAND ISLE EXISTING PORT
COMMISSION FACILITY REPAIR WORK

FILE NAME:
GIPC-GRAND ISLE

JEFFERSON PARISH
SEC. 28, T22S-R24E
N 29°14'37"
W 89°59'25"



PROFESSIONAL
ENGINEERING AND
ENVIRONMENTAL
CONSULTANTS, INC.

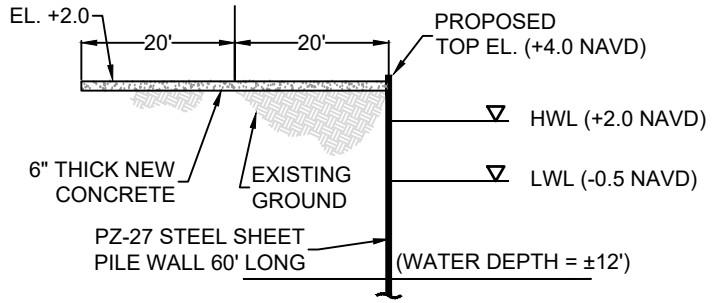
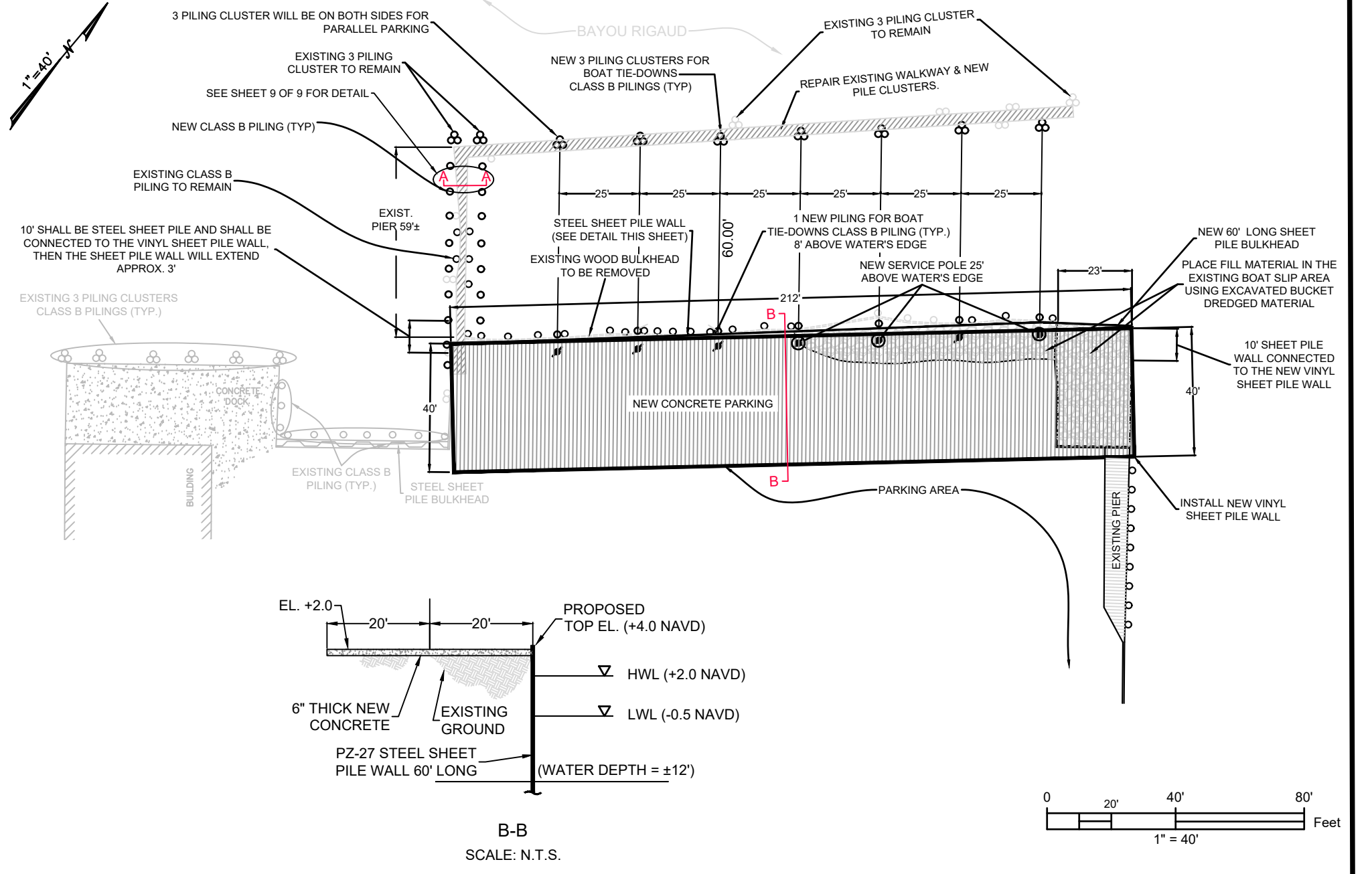
ENGINEERS, PLANNERS AND ENVIRONMENTAL CONSULTANTS
1065 Muller Parkway, Suite B, Westwego, LA 70094

DATE: SEPT. 2019

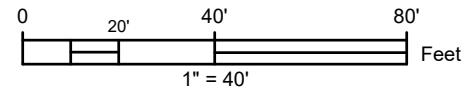
REV.
NO.

BOAT TIE-DOWNS

SHEET 3 OF 8



B-B
SCALE: N.T.S.



APPLICATION BY:
GRAND ISLE PORT
COMMISSION

GRAND ISLE EXISTING PORT
COMMISSION FACILITY REPAIR WORK

FILE NAME:
GIPC-GRAND ISLE

JEFFERSON PARISH
SEC. 28, T22S-R24E
N 29°14'37"
W 89°59'25"



PROFESSIONAL
ENGINEERING AND
ENVIRONMENTAL
CONSULTANTS, INC.

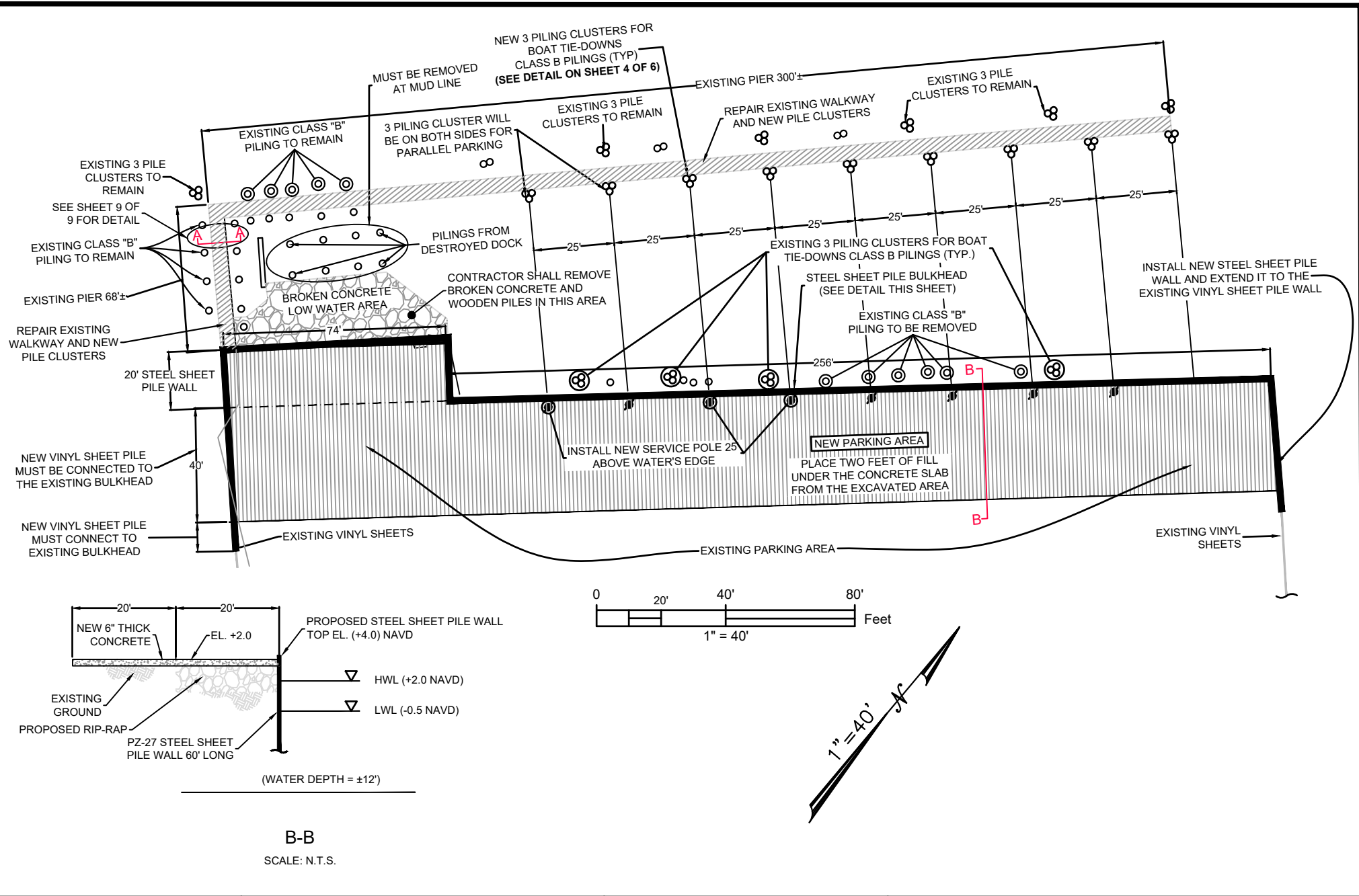
ENGINEERS, PLANNERS AND ENVIRONMENTAL CONSULTANTS
1065 Muller Parkway, Suite B, Westwego, LA 70094

DATE: SEPT. 2019

REV.
NO.

AREA 2
PLAN VIEW

SHEET 4 OF 8



APPLICATION BY:
GRAND ISLE PORT
COMMISSION

DATE: SEPT. 2019
SHEET 5 OF 8

GRAND ISLE EXISTING PORT
COMMISSION FACILITY REPAIR WORK

REV. NO.
**AREA 1
PLAN VIEW**

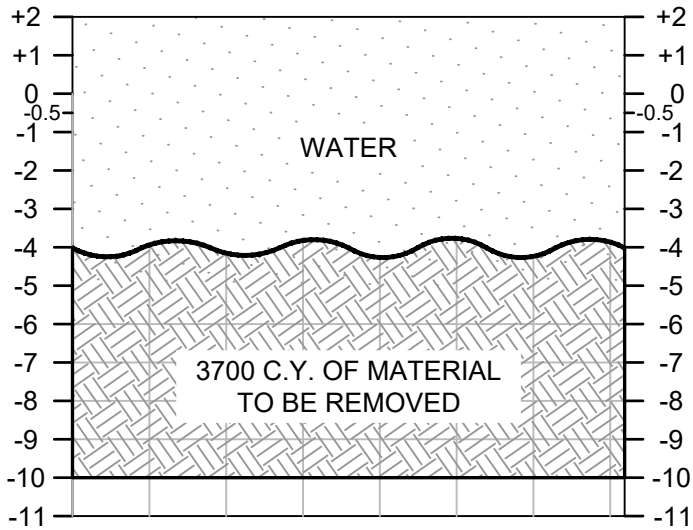
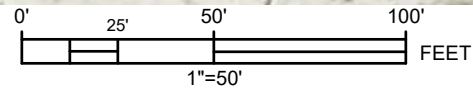
FILE NAME:
GIPC-GRAND ISLE
JEFFERSON PARISH
SEC. 28, T22S-R24E
N 29°14'37"
W 89°59'25"



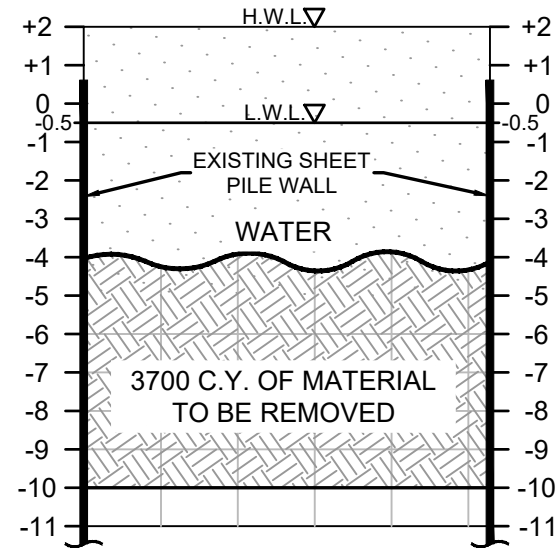
**PROFESSIONAL
ENGINEERING AND
ENVIRONMENTAL
CONSULTANTS, INC.**
ENGINEERS, PLANNERS AND ENVIRONMENTAL CONSULTANTS
1065 Muller Parkway, Suite B, Westwego, LA 70094



PLAN VIEW



SECTION A-A



SECTION B-B

APPLICATION BY:
GRAND ISLE PORT
COMMISSION

GRAND ISLE EXISTING PORT
COMMISSION FACILITY REPAIR WORK

FILE NAME:
GIPC-GRAND ISLE

JEFFERSON PARISH
SEC. 28, T22S-R24E
N 29°14'37"
W 89°59'25"



PROFESSIONAL
ENGINEERING AND
ENVIRONMENTAL
CONSULTANTS, INC.

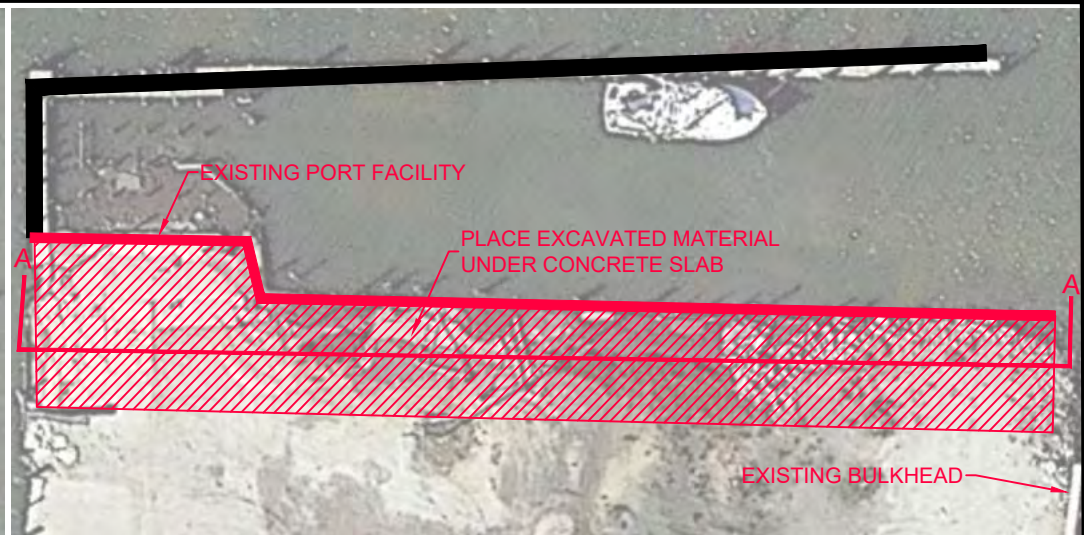
ENGINEERS, PLANNERS AND ENVIRONMENTAL CONSULTANTS
1065 Muller Parkway, Suite B, Westwego, LA 70094

DATE: SEPT. 2019

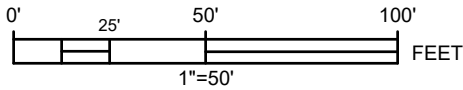
REV.
NO.

EXCAVATION SITE

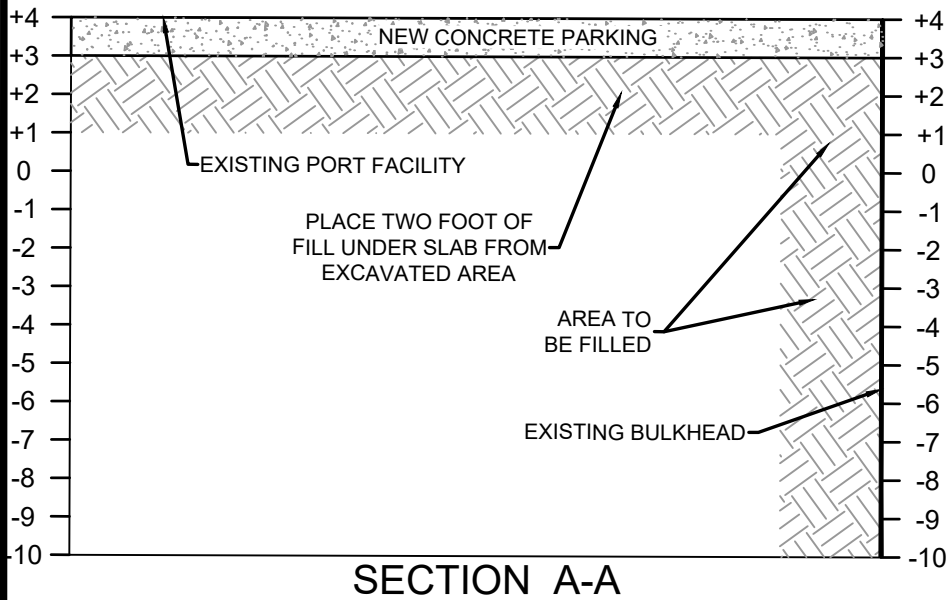
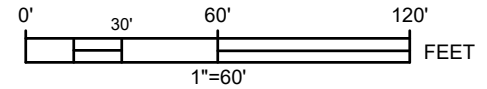
SHEET 6 OF 8



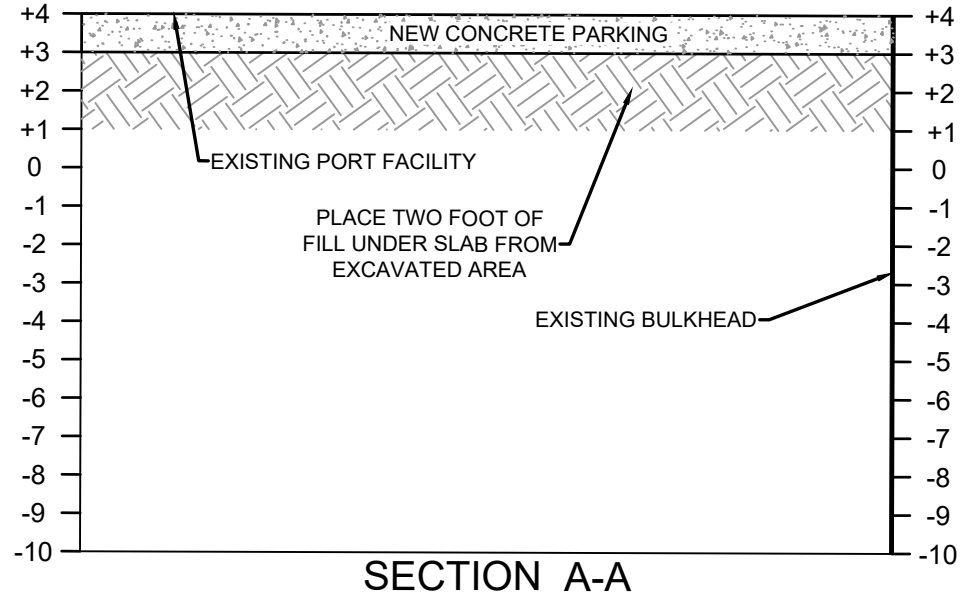
PLAN VIEW



PLAN VIEW



SECTION A-A



SECTION A-A

APPLICATION BY:
GRAND ISLE PORT
COMMISSION

GRAND ISLE EXISTING PORT
COMMISSION FACILITY REPAIR WORK

FILE NAME:
GIPC-GRAND ISLE

JEFFERSON PARISH
SEC. 28, T22S-R24E
N 29°14'37"
W 89°59'25"



PROFESSIONAL
ENGINEERING AND
ENVIRONMENTAL
CONSULTANTS, INC.

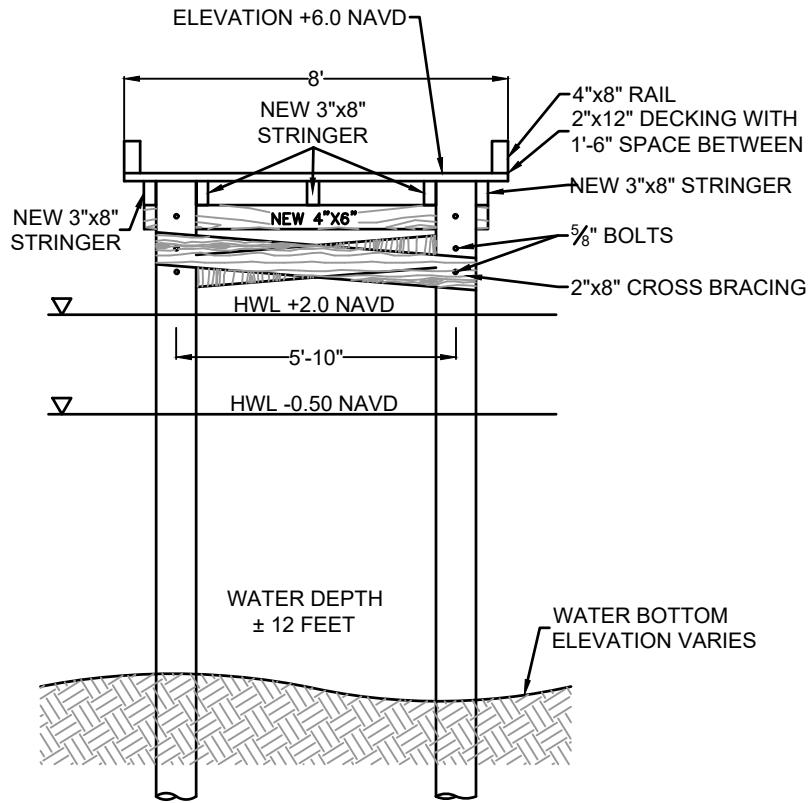
ENGINEERS, PLANNERS AND ENVIRONMENTAL CONSULTANTS
1065 Muller Parkway, Suite B, Westwego, LA 70094

DATE: SEPT. 2019

REV.
NO.

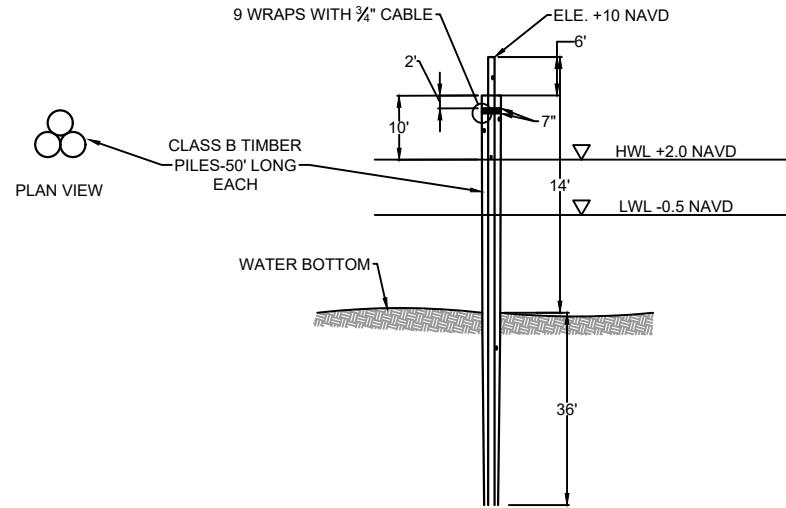
FILL SITE

SHEET 7 OF 8



A-A

EXISTING WALKWAY WITH NEW 8'
WIDE DECK WITH 2"x12' DECKING



3-PILE CLUSTER DETAILS
SCALE: N.T.S.

APPLICATION BY:
GRAND ISLE PORT
COMMISSION

GRAND ISLE EXISTING PORT
COMMISSION FACILITY REPAIR WORK

FILE NAME:
GIPC-GRAND ISLE

JEFFERSON PARISH
SEC. 28, T22S-R24E
N 29°14'37"
W 89°59'25"



**PROFESSIONAL
ENGINEERING AND
ENVIRONMENTAL
CONSULTANTS, INC.**

ENGINEERS, PLANNERS AND ENVIRONMENTAL CONSULTANTS
1065 Muller Parkway, Suite B, Westwego, LA 70094

DATE: SEPT. 2019

REV.
NO.

DETAILS

SHEET 8 OF 8