

# JOINT PUBLIC NOTICE

2 September 2019

United States Army  
Corps of Engineers  
New Orleans District  
Regulatory Branch (ODR-E)  
7400 Leake Avenue  
New Orleans, Louisiana 70118

(504) 862-2279  
[angelle.v.greer@usace.army.mil](mailto:angelle.v.greer@usace.army.mil)  
Project Manager  
Angelle Greer  
Permit Application Number  
MVN-2012-00592-EG

State of Louisiana  
Department of Environmental Quality  
ATTN: Water Quality Certifications  
Post Office Box 4313  
Baton Rouge, Louisiana 70821-4313

(225) 219-3225  
Project Manager  
Elizabeth Hill  
WQC Application Number  
WQC 190829-02

Interested parties are hereby notified that a permit application has been received by the New Orleans District of the U.S. Army Corps of Engineers pursuant to: [X] Section 10 of the Rivers and Harbors Act of March 3, 1899 (30 Stat. 1151; 33 USC 403); and/or [X] Section 404 of the Clean Water Act (86 Stat. 816; 33 USC 1344).

Application has also been made to the Louisiana Department of Environmental Quality, Water Quality Certifications, for a Water Quality Certification (WQC) in accordance with statutory authority contained in LRS30:2047 A(3), and provisions of Section 401 of the Clean Water Act (P.L.95-17).

## **TRAIL AND DOCK IN ST. TAMMANY PARISH**

**NAME OF APPLICANT:** The Blind Tiger, c/o Biological Surveys, Inc., Attention: Thomas Brown, P.O. Box 94, Covington, LA 70434

**LOCATION OF WORK:** on the Bogue Falaya River, at 19124 W. Front St., in Covington, in St. Tammany Parish, Louisiana, as shown on the enclosed drawings.  
Location: Latitude: 30.474793, Longitude: -90.08861  
Hydrologic Unit Code: 08090201 (Liberty Bayou-Tchefuncte)

**CHARACTER OF WORK:** The installation and maintenance of a recreational trail and 10-foot by 50-foot dock on the Bogue Falaya River for commercial purposes. Approximately 60 yd<sup>3</sup> of limestone

would be placed for trail construction. Permanent impacts to approximately 0.01 acre of jurisdictional wetlands are expected as a result of the project. If required, the applicant proposes to compensate for unavoidable project-related wetland impacts through the purchase of credits from a Corps' approved mitigation bank within the appropriate watershed.

The comment period for the Department of the Army Permit and the Louisiana Department of Environmental Quality WQC will close **20 days** from the date of this joint public notice. Written comments, including suggestions for modifications or objections to the proposed work, stating reasons thereof, are being solicited from anyone having interest in this permit and/or this WQC request and must be mailed so as to be received before or by the last day of the comment period. Letters concerning the Corps of Engineers permit application must reference the applicant's name and the Permit Application Number, and be mailed to the Corps of Engineers at the address above, **ATTENTION: REGULATORY BRANCH**. **Similar letters concerning the Water Quality Certification must reference the applicant's name and the WQC Application number and be mailed to the Louisiana Department of Environmental Quality at the address above.**

Individuals or parties may request an extension of time in which to comment on the proposed work by writing or e-mailing the Corps of Engineers Project Manager listed above. Any request must be specific and substantively supportive of the requested extension, and received by this office prior to the end of the initial comment period. The Section Chief will review the request and the requestor will be promptly notified of the decision to grant or deny the request. If granted, the time extension will be continuous to the initial comment period and, inclusive of the initial comment period, will not exceed a total of 30 calendar days.

The application for this proposed project is on file with the Louisiana Department of Environmental Quality and may be examined during weekdays between 8:00 a.m. and 4:30 p.m. Copies may be obtained upon payment of costs of reproduction.

### **Corps of Engineers Permit Criteria**

The decision whether to issue a permit will be based on an evaluation of the probable impacts, including cumulative impacts of the proposed activity on the public interest. That decision will reflect the national concern for both protection and utilization of important resources. The benefit which reasonably may be expected to accrue from the proposal must be balanced against its reasonably foreseeable detriments. All factors which may be relevant to the proposal will be considered including the cumulative effects thereof; among those are conservation, economics, aesthetics, general environmental concerns, wetlands, historic properties, fish and wildlife values, flood hazards, floodplain values, land use, navigation, shoreline erosion and accretion, recreation, water supply and conservation, water quality, energy needs, safety, food and fiber production, mineral needs, considerations of property ownership and, in general, the needs and welfare of the people.

The U.S. Army Corps of Engineers is soliciting comments from the public, federal, state, and local agencies and officials, Indian Tribes, and other interested parties in order to consider and evaluate the impacts of this proposed activity. Any comments received will be considered by the U.S. Army Corps of Engineers to determine whether to make, modify, condition, or deny a permit for this proposal. To make this decision, comments are used to assess impacts on endangered species, historic properties, water quality, general environmental effects, and other public interest factors listed above. Comments are used in the preparation of an Environmental Assessment and/or an Environmental Impact Statement pursuant to the National Environmental Policy Act. Comments are also used to determine the need for a public hearing and to determine the overall public interest of the proposed activity.

The New Orleans District is unaware of properties listed on the National Register of Historic Places near the proposed work. The possibility exists that the proposed work may damage or destroy presently unknown archeological, scientific, prehistorical, historical sites, or data. Issuance of this public notice solicits input from the State Archeologist and State Historic Preservation Officer regarding potential impacts to cultural resources.

The New Orleans District has determined that the project footprint is located in an area known to be utilized by the Gopher Tortoise, the Dusky Gopher Frog, and the West Indian Manatee. It has been determined that the activity is *not likely to adversely affect* the West Indian Manatee and will have *no effect* to the Gopher Tortoise or the Dusky Gopher Frog based on the Standard Local Operating Procedure for Endangered Species in Louisiana (SLOPES), dated October 22, 2014, between the U.S. Army Corps of Engineers, New Orleans and U.S. Fish and Wildlife Service, Ecological Services Office.

Our initial finding is that the proposed work is Not Likely to Adversely Affect any species listed as endangered by the U.S. Departments of Interior or Commerce, nor affect any habitat designated as critical to the survival and recovery of any endangered species.

This notice initiates the Essential Fish Habitat (EFH) consultation requirements of the Magnuson-Stevens Fishery Conservation and Management Act. The applicant's proposal would not result in the destruction or alteration of EFH utilized by various life stages of red drum and penaeid shrimp. Our initial determination is that the proposed action would not have a substantial adverse impact on EFH or federally managed fisheries in the Gulf of Mexico. Our final determination relative to project impacts and the need for mitigation measures is subject to review by and coordination with the National Marine Fisheries Service.

If the proposed work involves deposits of dredged or fill material into navigable waters, the evaluation of the probable impacts will include the application of guidelines established by the

Administrator of the Environmental Protection Agency. Also, a certification that the proposed activity will not violate applicable water quality standards will be required from the Department of Environmental Quality, Water Quality Certifications, before a permit is issued.

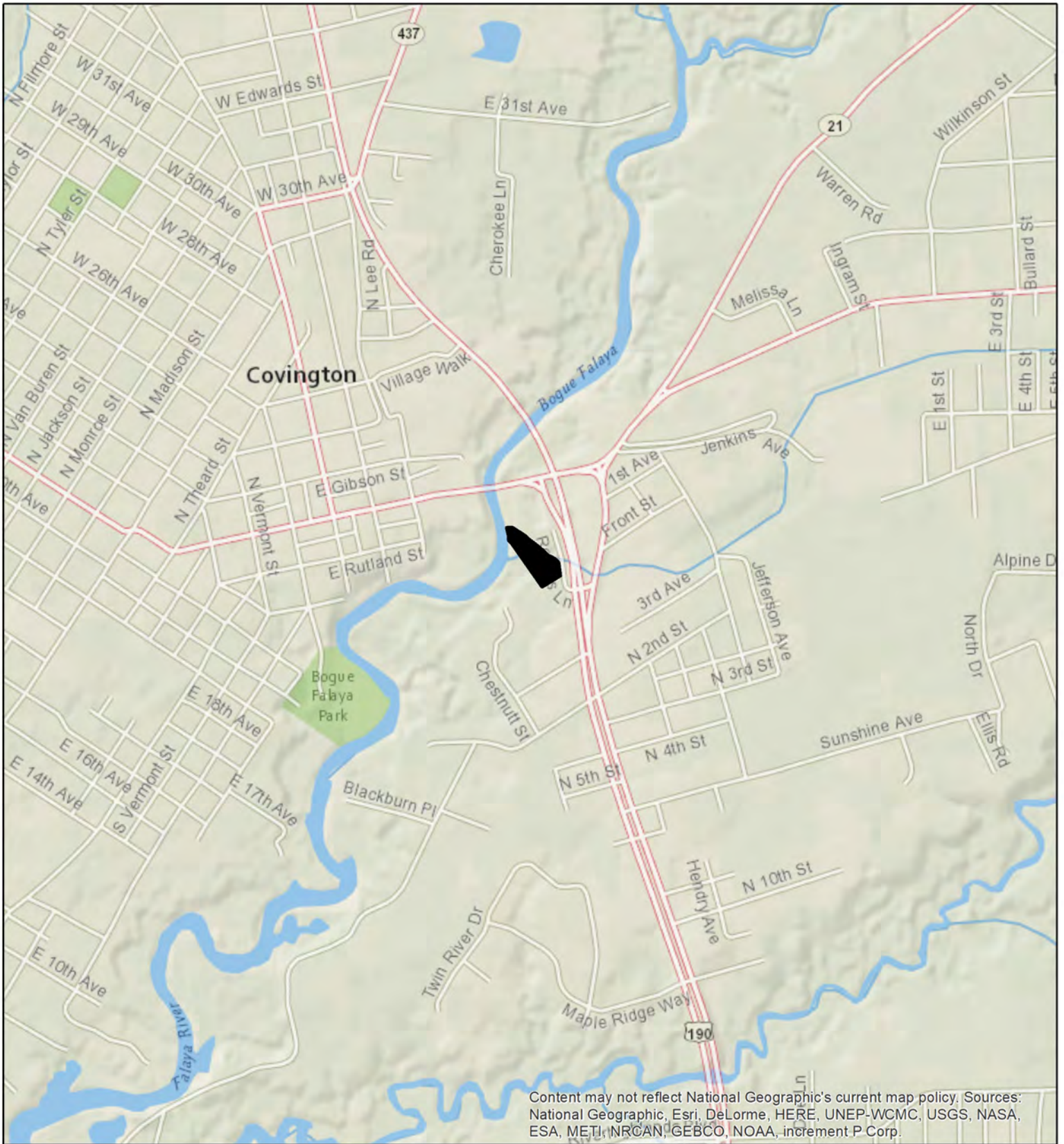
Any person may request, in writing, within the comment period specified in this notice, that a public hearing be held to consider this application. Requests for public hearings shall state, with particularity, the reasons for holding a public hearing.

You are requested to communicate the information contained in this notice to any other parties whom you deem likely to have interest in the matter.

Michael V. Farabee  
Chief, Eastern Evaluation Section

Enclosure


# Vicinity Map



Content may not reflect National Geographic's current map policy. Sources: National Geographic, Esri, DeLorme, HERE, UNEP-WCMC, USGS, NASA, ESA, METI, NRCAN, GEBCO, NOAA, increment P Corp.

0 0.125 0.25 0.5 Miles

## Legend

 Project Site



Client:  
**BIOLOGICAL SURVEYS**

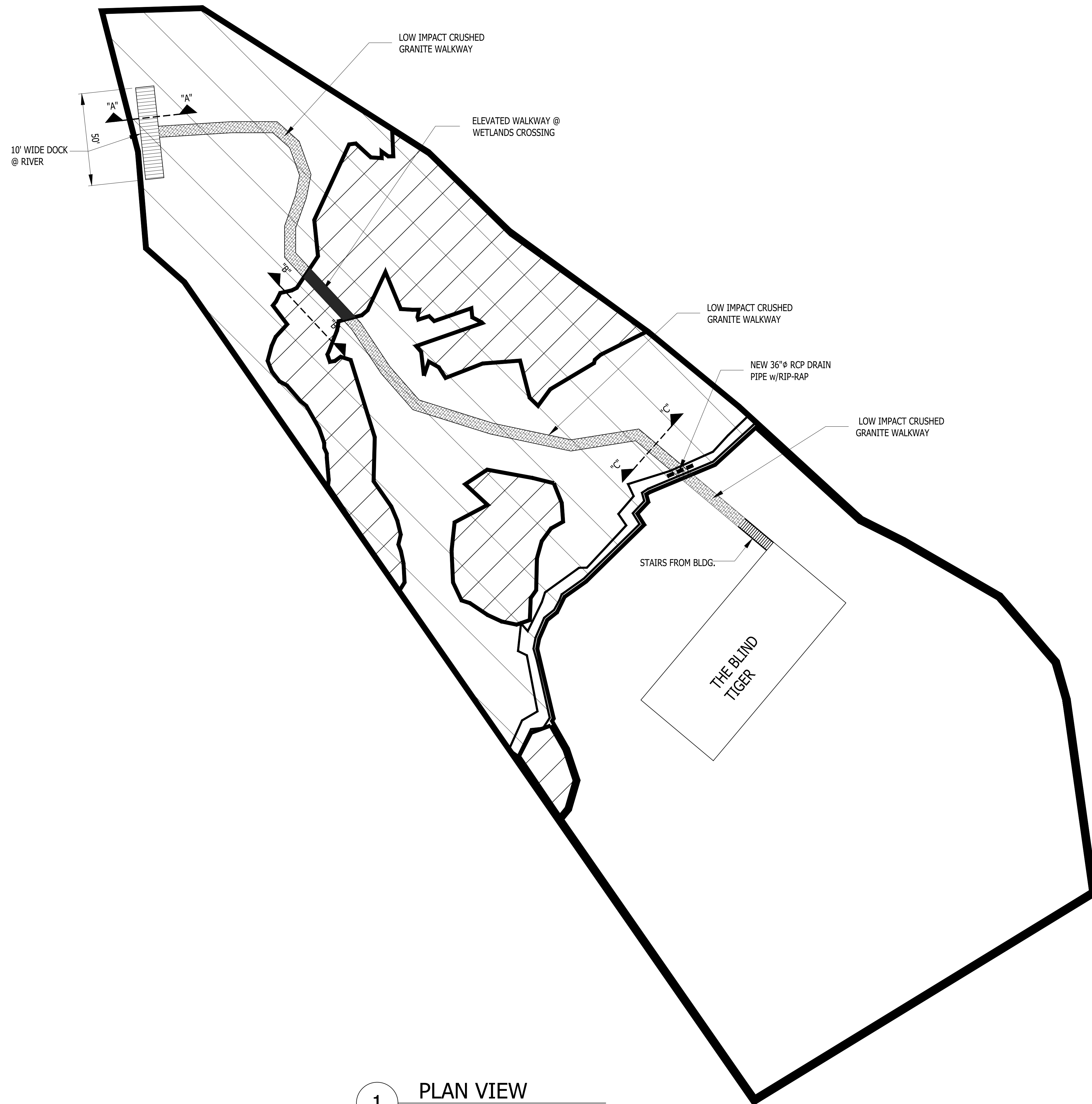
Project:  
**THE BLIND TIGER  
 BOARDWALK/BOAT DOCK**

General Notes

No.	Revision/Issue	Date

This drawing and design are the property of DEEP SOUTH DESIGN GROUP. They are submitted on the condition that they are not to be used, reproduced or copied in whole or part or used for furnishing information to others, without the prior written consent of DEEP SOUTH DESIGN GROUP. All common law rights of copyright and otherwise are hereby specifically reserved.

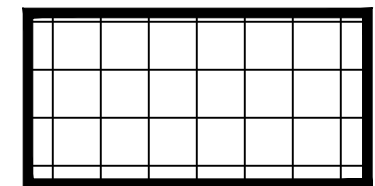
Project NO. <b>14-210</b>	Sheet <b>C-1</b>
Date <b>07.02.2019</b>	
Scale <b>1" = 30'</b>	

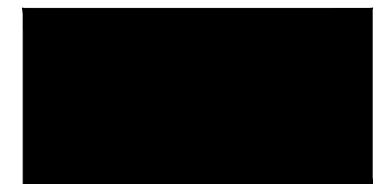


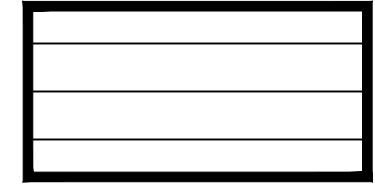
**1 PLAN VIEW**  
 Scale: 1" = 30'

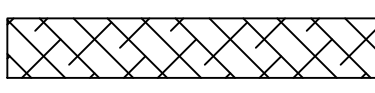
IMPACTED WATERS  
 0.07 ACRES

FILL IN WETLANDS/WATERS  
 ±15 CU.YD. GRANULAR SURFACE MATERIAL  
 ±45 CU.YD. GRANULAR BASE MATERIAL

 WETLAND (10/404)  
 0.48 ACRES TOTAL

 IMPACTED WETLANDS  
 0.01 ACRES

 NON-WETLAND WATERS (10/404)  
 1.36 ACRES TOTAL

 CRUSHED GRANITE WALKWAY

Client:  
**BIOLOGICAL SURVEYS**

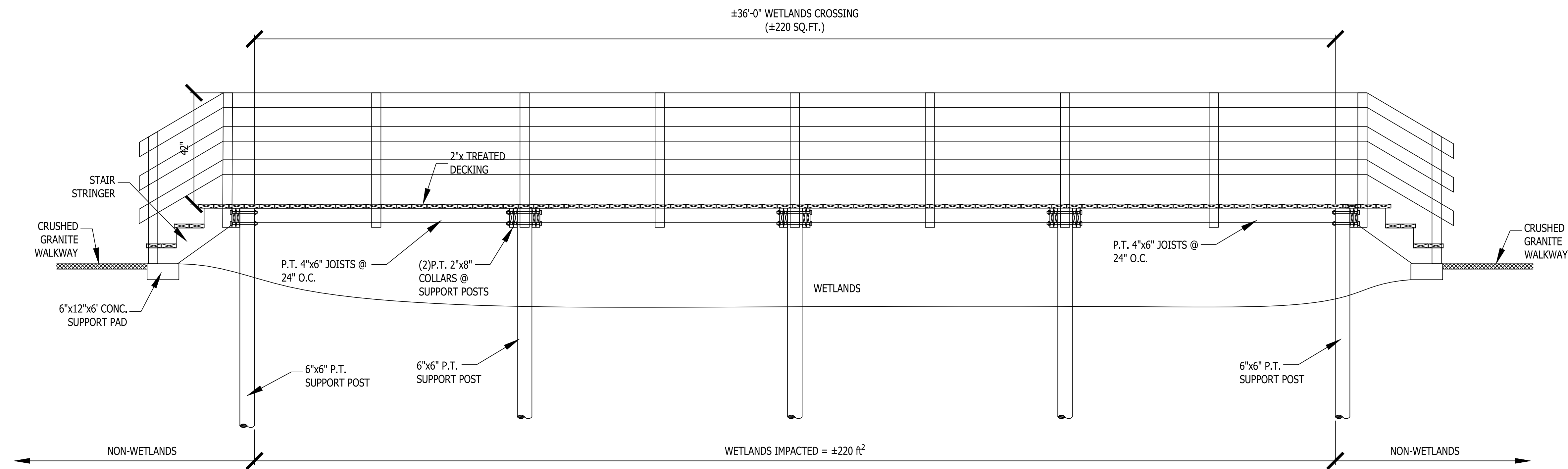
Project:  
**THE BLIND TIGER BOARDWALK/BOAT DOCK**

General Notes

No.	Revision/Issue	Date

This drawing and design are the property of DEEP SOUTH DESIGN GROUP. They are submitted on the condition that they are not to be used, reproduced or copied in whole or part or used for furnishing information to others, without the prior written consent of DEEP SOUTH DESIGN GROUP. All common law rights of copyright and otherwise are hereby specifically reserved.

Project NO. <b>14-210</b>	Sheet <b>C-2</b>
Date <b>07.02.2019</b>	
Scale <b>AS SHOWN</b>	

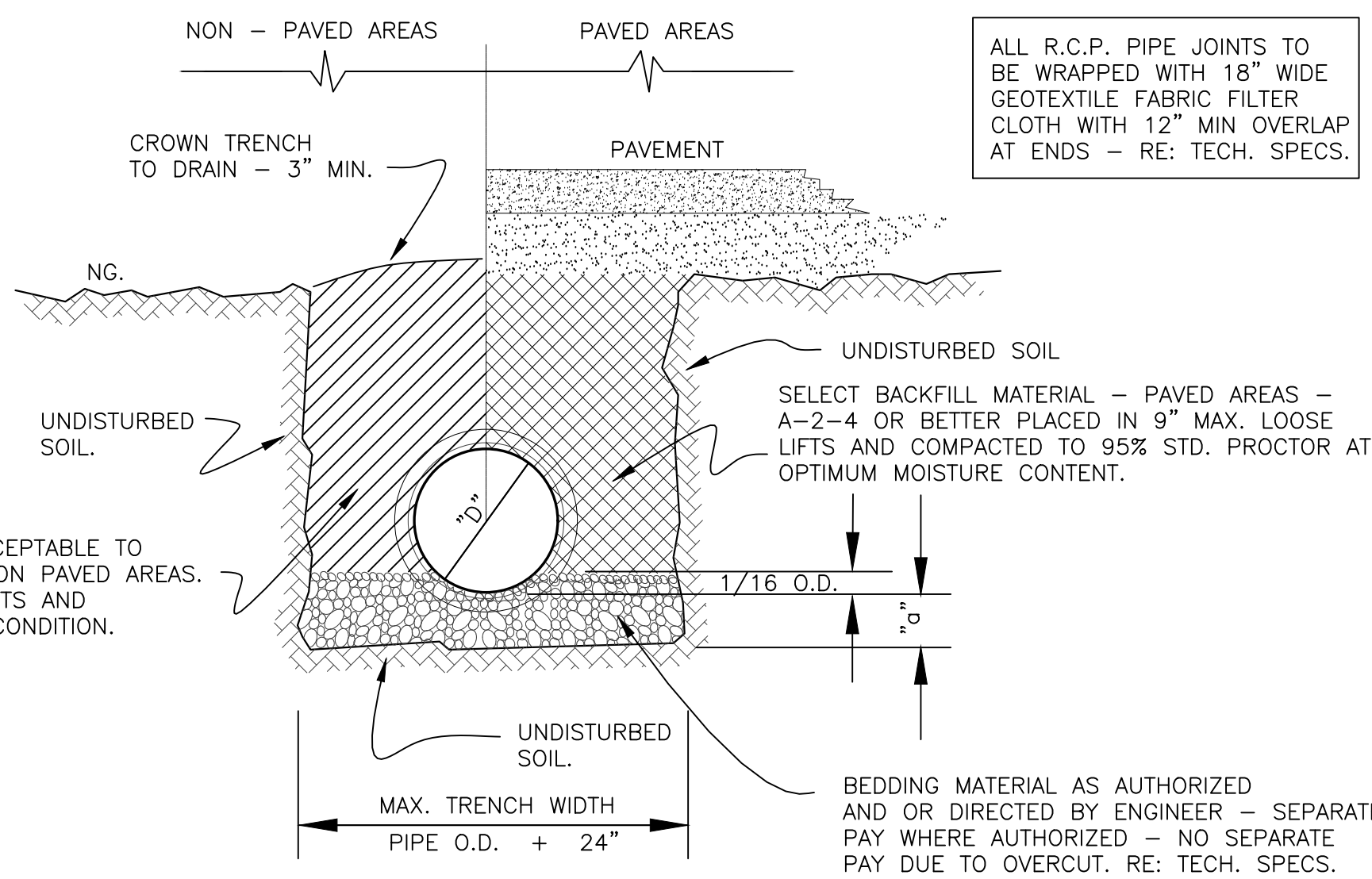


SECTION "B" - "B"  
 SCALE: 3/4" = 1'-0"

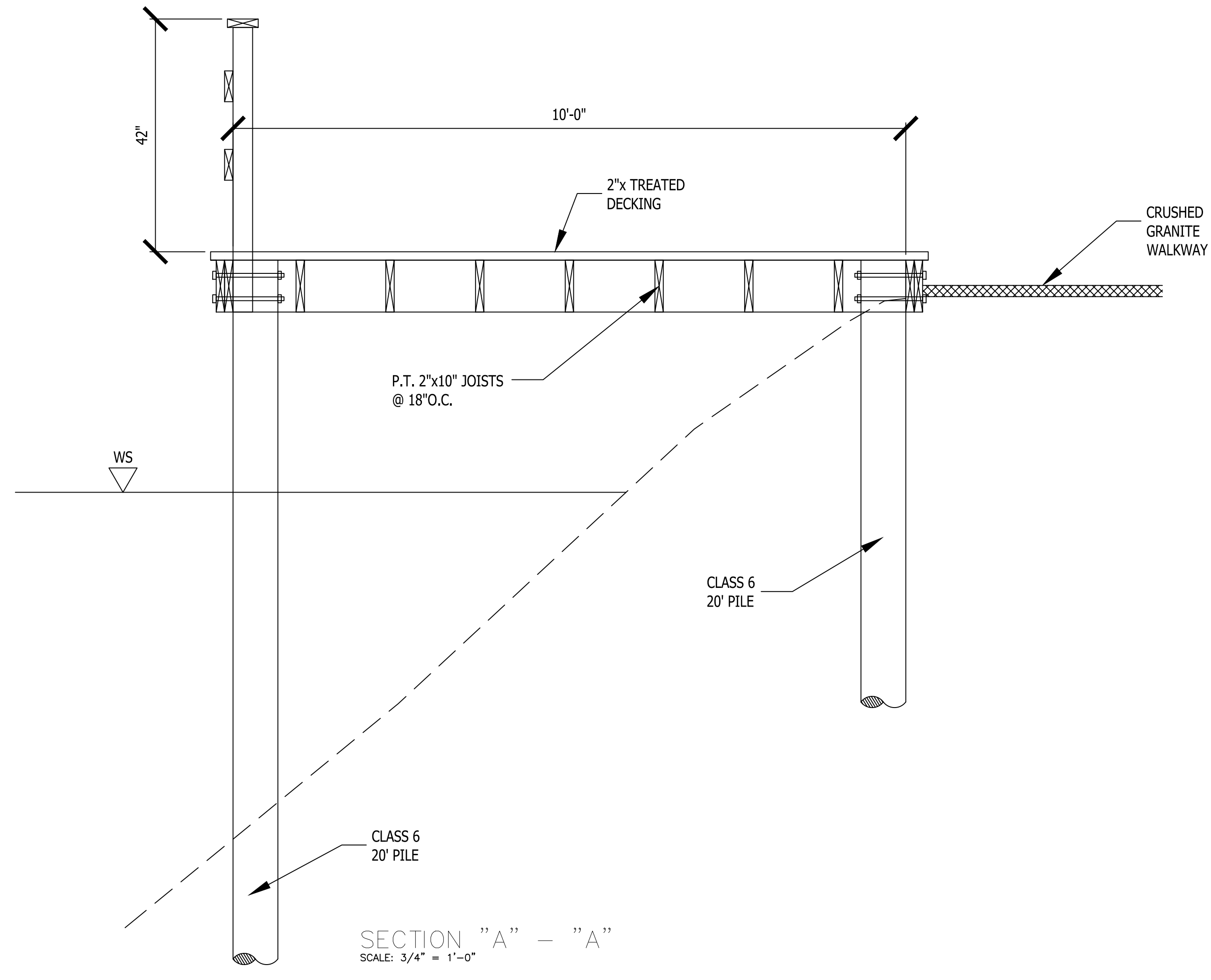
"D"	"a"
27" AND SMALLER	4"
30" TO 60"	6"
66" AND LARGER	8"

LEGEND:  
 O.D. = OUTSIDE DIAMETER OF CONDUIT  
 "a" = BEDDING BELOW PIPE  
 "D" = CONDUIT INSIDE DIAMETER

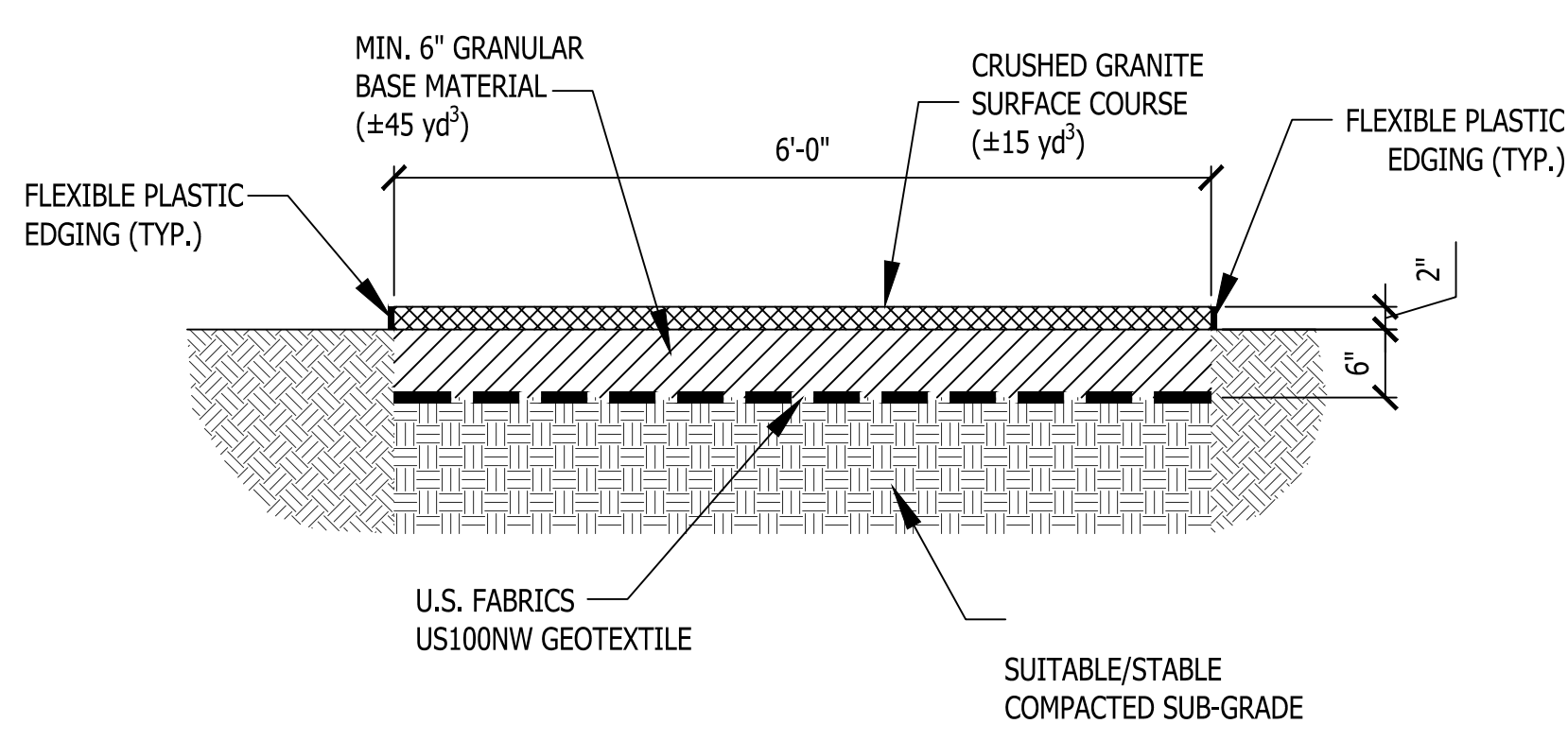
NATIVE MATERIAL BACKFILL ACCEPTABLE TO ENGINEER MAY BE USED IN NON PAVED AREAS. PLACE IN 12" MAX. LOOSE LIFTS AND RECOMPACT TO 95% IN SITU CONDITION.



DRAINAGE TRENCH BEDDING AND BACKFILL DETAIL  
 NOT TO SCALE



SECTION "A" - "A"  
 SCALE: 3/4" = 1'-0"



SECTION "C" - "C"  
 NOT TO SCALE