

JOINT PUBLIC NOTICE

October 28, 2013

DEPARTMENT OF THE ARMY
NEW ORLEANS DISTRICT
CORPS OF ENGINEERS
REGULATORY FUNCTIONS BRANCH
P.O. BOX 60267
NEW ORLEANS, LA 70160

STATE OF LOUISIANA
DEPARTMENT OF ENVIRONMENTAL
QUALITY
OFFICE OF ENVIRONMENTAL
SERVICES
P.O. BOX 4313
BATON ROUGE, LA 70821-4313

STATE OF LOUISIANA
DEPARTMENT OF NATURAL
RESOURCES
OFFICE OF COASTAL MANAGEMENT
P.O. BOX 44487
BATON ROUGE, LA 70804-4487

Phone (504) 862- 2595

Fax (504) 862- 1697

Phone (225) 219-3225

Fax (225) 325-8250

Phone (225) 342-8917

Fax (225) 342-9439

Email sara.krupa@la.gov

COE REVIEWER:

Jacqueline Farabee

DEQ REVIEWER:

OCM REVIEWER:

Sara Krupa

COE NUMBER:

MVN 2011- 2690- MR

WQC NUMBER:

WQC 110725- 02

CUP NUMBER:

P20110858

NAME: **RESTORATION SYSTEMS, LLC**
c/o ANGELETTE-PICCIOLA, LLC
13379 HWY 3235
LAROSE, LA 70373
Attn: Kyle Pierce

LOCATION: **Plaquemines Parish, LA;** Western - Lat 29° 44' 41"N / Long -90° 02' 31"W; Eastern - Lat 29° 44' 30"N / Long -90° 01' 33"W; Section 14, T15S-R24E; Section 17, T15S-R24E; HUC 08090301 and O8090100; Approximately 8 miles south of Belle Chase near Jesuit Bend, LA.

DESCRIPTION: MISSISSIPPI RIVER DREDGING
Excavate approximately 39,900 cubic yards of material on site, haul in 500 cubic yards of crushed stone or gravel, and dredge approximately 1,830,000 cubic yards of material, from mile marker 71 AHP of the Mississippi River, to deposit on-site for the restoration of 273 acres of freshwater marsh and 45 acres of cypress-tupelo gum habitat for the purpose of constructing a mitigation bank. Dredge material will be piped to the site along the Mississippi River bature and the Plaquemines Parish Flood Protection Levee. Approximately 79 acres of river bottom, 240 acres of non-vegetated waterbottom, 43.4 acres of cypress swamp, 29 acres of freshwater marsh, 8 acres of wooded berm, and 8 acres of mixed forested wetland habitat may be impacted as a result of this proposed activity. The applicant has not proposed compensatory mitigation. In addition, this project is located on/and or near the following sensitive features: Coastal Restoration projects, Louisiana Natural Heritage projects, and levee features.

NOTICE the Louisiana Department of Natural Resources, Office of Coastal Management (OCM) has received the above application for a Coastal Use Permit (CUP) in accordance with the State and Local Coastal Resources Management Act of 1978, as amended, (Louisiana R.S. 49:214.21-214.41), and the rules and regulations of the Coastal Resources Program. Applications for the proposed work may be inspected at 617 North 3rd Street, Room 1078, Baton Rouge, LA or on the OCM web page at: <http://dnr.louisiana.gov/index.cfm?md=pagebuilder&tmp=home&pid=591>. Copies may be obtained upon payment of cost of copying. Written comments, including suggestions for modifications or objections to the proposed work and stating the reasons thereof, are being solicited from the public. Comments must be received within 25 days of the date of publication of this notice. Comments should be uploaded to our electronic record, but may be mailed, faxed or emailed to the designated OCM Reviewer. All comments must contain the appropriate application number and the commenter's full name and contact information.

Application also has been made to the Louisiana Department of Environmental Quality, Office of Environmental Services for a Water Quality Certification in accordance with La. R.S. 30.2074(A)(93), and Section 401 of the Clean Water Act (P.L. 95-217). Additional information is on file with the above office, and may be inspected at any time between 8:00 a.m. and 4:30 p.m. weekdays. Copies may be obtained upon payment of cost of copying. Comments concerning the application can be filed with the Office of Environmental Services within 20 days of this notice to the following address: Office of Environmental Services, P. O. Box 4313, Baton Rouge, LA 70821-4313.

The comment period for the Department of the Army Permit and the Louisiana Department of Environmental Quality WQC will close **20 days** from the date of this joint public notice. Written comments, including suggestions for modifications or objections to the proposed work, stating reasons thereof, are being solicited from anyone having interest in this permit and/or this WQC request and must be mailed so as to be received before or by the last day of the comment period. Letters concerning the Corps of Engineers permit application must reference the applicant's name and the Permit Application Number, and be mailed to the Corps of Engineers at the address above, **ATTENTION: REGULATORY BRANCH**. Similar letters concerning the Water Quality Certification must reference the applicant's name and the WQC Application number and be mailed to the Louisiana Department of Environmental Quality at the address above. Individuals or parties may request an extension of time in which to comment on the proposed work by writing to the project manager or clicking on the project manager's name on the public notice grid on the web page. Any request must be specific and substantively supportive of the requested extension, and received by this office prior to the end of the initial comment period. The Section Chief will review the request and the requestor will be promptly notified of the decision to grant or deny the request. If granted, the time extension will be continuous to the initial comment period and, inclusive of the initial comment period, will not exceed a total of 30 calendar days.

The application for this proposed project is on file with the Louisiana Department of Environmental Quality and may be examined during weekdays between 8:00 a.m. and 4:30 p.m. Copies may be obtained upon payment of costs of reproduction.

Corps of Engineers Permit Criteria

The decision whether to issue a permit will be based on an evaluation of the probable impacts, including cumulative impacts of the proposed activity on the public interest. That decision will reflect the national concern for both protection and utilization of important resources. The benefit which reasonably may be expected to accrue from the proposal must be balanced against its reasonably foreseeable detriments. All factors which may be relevant to the proposal will be considered including the cumulative effects thereof; among those are conservation, economics, aesthetics, general environmental concerns, wetlands, historic properties, fish and wildlife values, flood hazards, floodplain values, land use, navigation, shoreline erosion and accretion, recreation, water supply and conservation, water quality, energy needs, safety, food and fiber production, mineral needs, considerations of property ownership and, in general, the needs and welfare of the people.

The U.S. Army Corps of Engineers is soliciting comments from the public, federal, state, and local agencies and officials, Indian Tribes, and other interested parties in order to consider and evaluate the impacts of this proposed activity. Any comments received will be considered by the U.S. Army Corps of Engineers to determine whether to make, modify, condition, or deny a permit for this proposal. To make this decision, comments are used to assess impacts on endangered species, historic properties, water quality, general environmental effects, and other public interest factors listed above. Comments are used in the preparation of an Environmental Assessment and/or an Environmental Impact Statement pursuant to the National Environmental Policy Act. Comments are also used to determine the need for a public hearing and to determine the overall public interest of the proposed activity.

The New Orleans District is unaware of properties listed on the National Register of Historic Places near the proposed work. The possibility exists that the proposed work may damage or destroy presently unknown archeological, scientific, prehistorical, historical sites, or data. Issuance of this public notice solicits input from the State Archeologist and State Historic Preservation Officer regarding potential impacts to cultural resources.

Our initial finding is that the proposed work would neither affect any species listed as endangered by the U.S. Departments of Interior or Commerce, nor affect any habitat designated as critical to the survival and recovery of any endangered species.

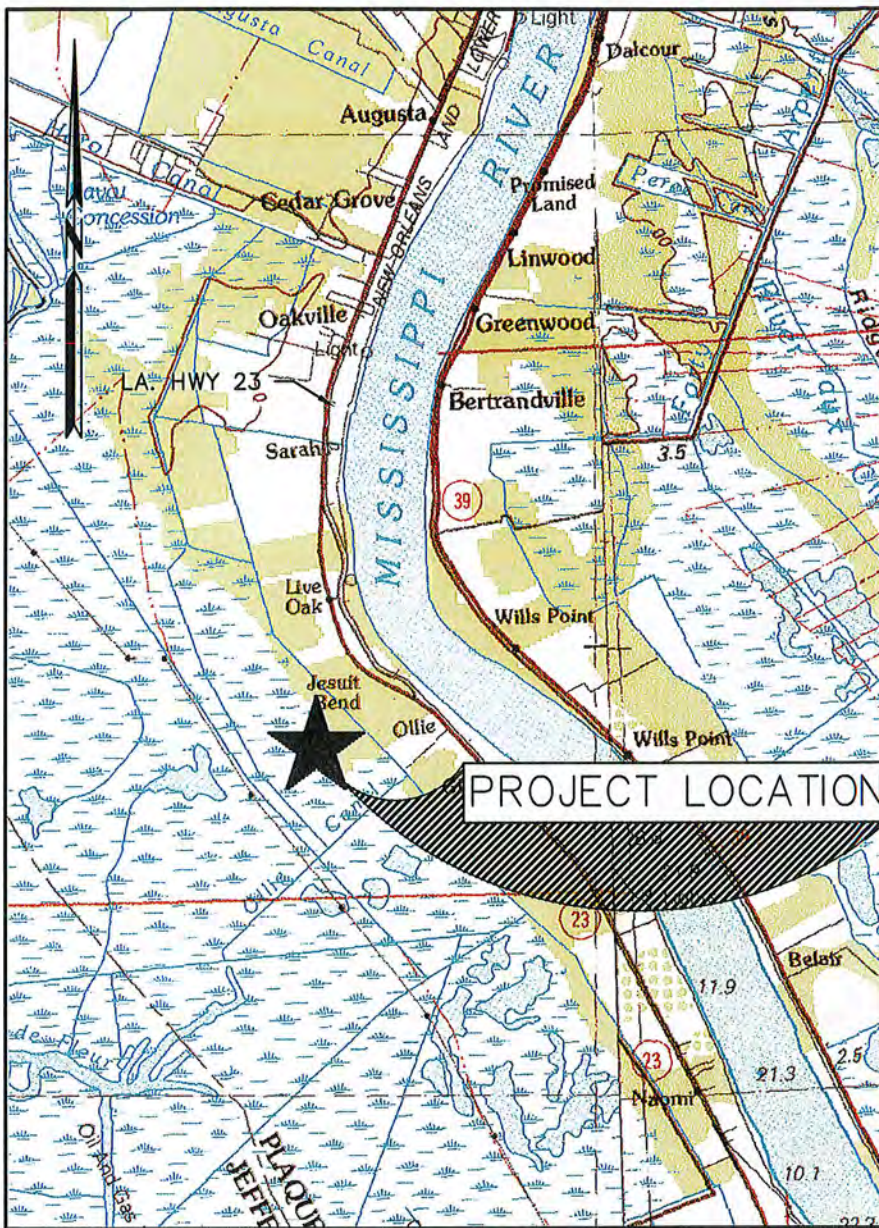
This notice initiates the Essential Fish Habitat (EFH) consultation requirements of the Magnuson-Stevens Fishery Conservation and Management Act. The applicant's proposal would result in the destruction or alteration of **0.10** acre of EFH utilized by various life stages of red drum and penaeid shrimp. Our initial determination is that the proposed action would not have a substantial adverse impact on EFH or federally managed fisheries in the Gulf of Mexico. Our final determination relative to project impacts and the need for mitigation measures is subject to review by and coordination with the National Marine Fisheries Service.

If the proposed work involves deposits of dredged or fill material into navigable waters, the evaluation of the probable impacts will include the application of guidelines established by the Administrator of the Environmental Protection Agency. Also, a certification that the proposed activity will not violate water quality standards will be required from the Department of Environmental Quality, Office of Environmental Services before a permit is issued.

Any person may request, in writing, within the comment period specified in this notice, that a public hearing be held to consider this application. Requests for public hearings shall state, with particularity, the reasons for holding a public hearing.

The applicant has certified that the proposed activity described in the application complies with and will be conducted in a manner that is consistent with the Louisiana Coastal Resources Program. The Department of the Army permit will not be issued unless the applicant received approval or a waiver of the Coastal Use Permit by the Department of Natural Resources.

You are requested to communicate the information contained in this notice to any other parties whom you deem likely to have interest in the matter.



PROJECT LOCATION

VICINITY MAP
1" = 2000'

NEW ORLEANS QUADRANGLE
LOUISIANA-PLAQUEMINES PARISH
100K DRG SERIES

APPLICANT: RESTORATIONS SYSTEMS, LLC

PROPOSAL: MARSH RESTORATION

LOCATION: PLAQUEMINES, LOUISIANA

JESUIT BEND: JESUIT BEND, LOUISIANA

WESTERN POINT- **LATITUDE:** 29° 44' 41"

LONGITUDE: 90° 02' 31"

EASTERN POINT- **LATITUDE:** 29° 44' 30"

LONGITUDE: 90° 01' 33"

DREDGE AND RECOVERY

TOTAL FILL VOLUME: 1,830,000 C.Y.

Angelette • Picciola, LLC

CONSULTING ENGINEERS & SURVEYORS

13379 HWY 3235 - CUT OFF, LA 70345

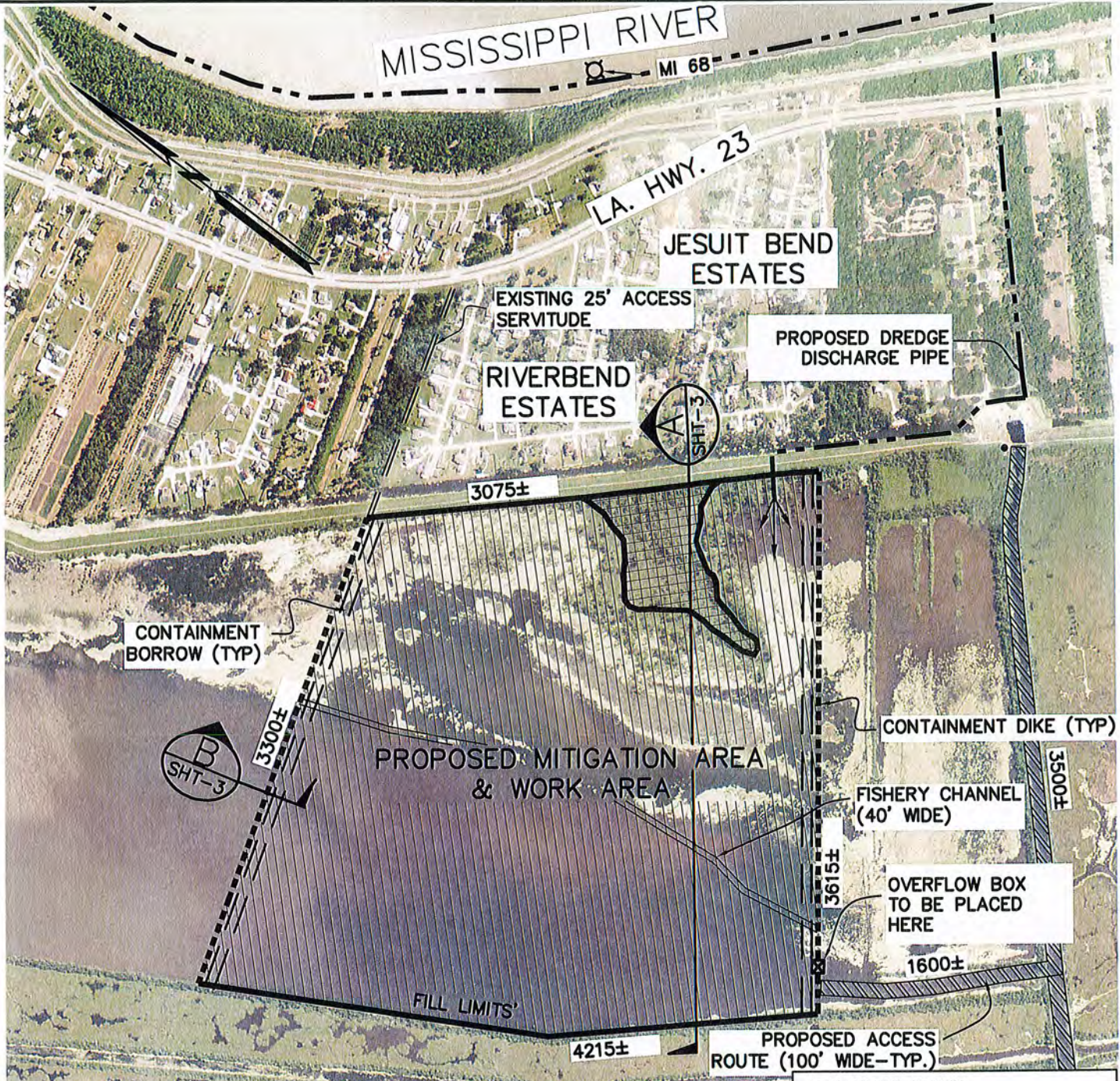
P.O. BOX 970 - LAROSE, LA 70373

PHONE: 985-798-7700

FAX: 985-798-7755



SHT-01
 REVISED 9-11-13
 REVISED 5-15-13
 REVISED 12-20-11
 REVISED 11-30-11
 REVISED 7-18-11
 REVISED 7-13-11
 REVISED 6-21-11
 6-9-11
 110011



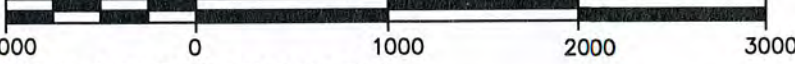
ACREAGE BREAKDOWN

MITIGATION AREA	273.2 AC.
REHAB & PRESERVATION AREA	51.1 AC.
FISHERY CHANNEL	3.7 AC.

NOTE: MARSH BUGGY & AIRBOAT TO BE USED IN DEFINED WORK AREA ONLY.

SITE PLAN

SCALE: 1" = 1000'



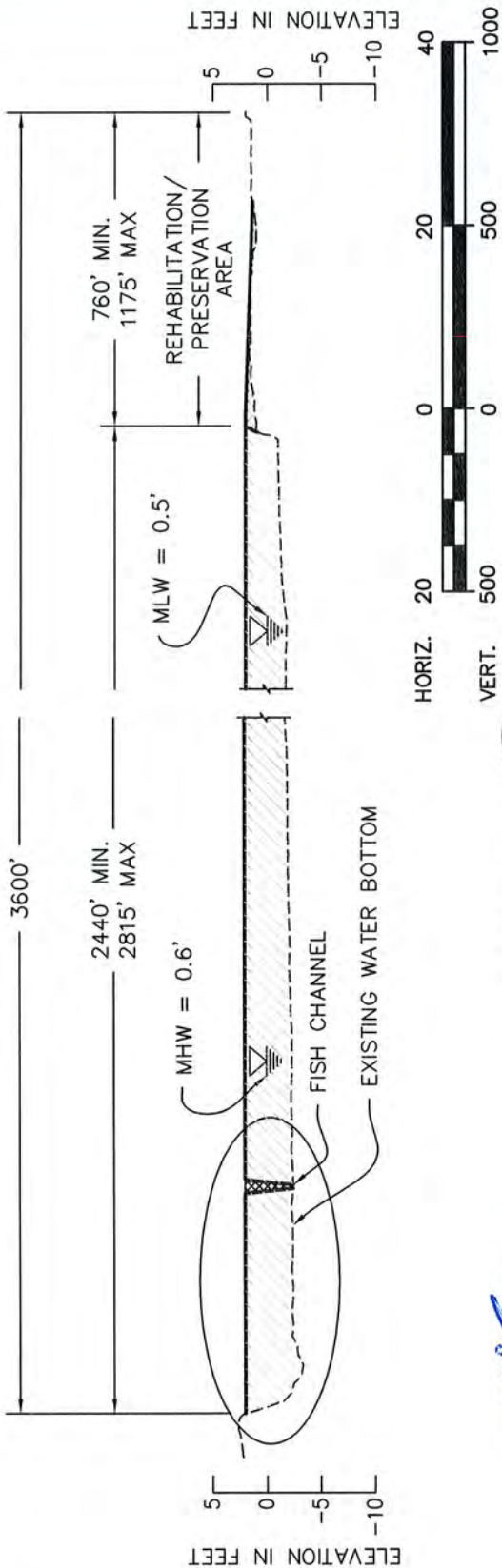
- LEGEND
- MITIGATION AREA
 - REHAB & PRESERVATION AREA
 - CONTAINMENT DIKE
 - DISCHARGE PIPELINE

REVISED 5-13-13
 REVISED 12-20-11
 REVISED 11-30-11
 REVISED 7-18-11
 REVISED 7-13-11
 REVISED 9-11-11
 REVISED 6-21-11



FILE: 110011\RESTORATION SYSTEM, LLC\PERMIT\07-SHTS-02-03.dwg

RESTORATION SYSTEMS, LLC	Angelette • Picciola, LLC CONSULTING ENGINEERS & SURVEYORS 13379 HWY 3235 - CUT OFF, LA 70345 P.O. BOX 970 - LAROSE, LA 70373 PHONE: 985-798-7700 FAX: 985-798-7755		SCALE
			SHOWN
SITE PLAN SHOWING LOCATION OF PROPOSED MITIGATION AREA.	DESIGNED BY L.J.P. DRAWN BY A.J.L. CHECKED BY K.S.P.		DATE
			6-9-11
		PROJECT	110011
		SHEET NO.	2 OF 13

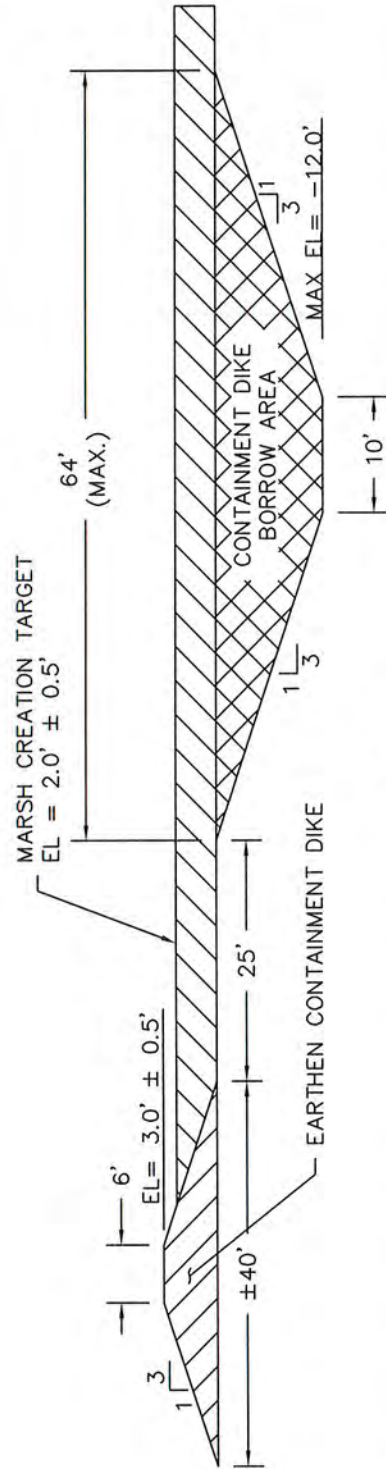


"A"
SHT-02

SECTION



9-11-13



"B"
SHT-02

SECTION

EARTHEN CONTAINMENT DIKE DETAIL

N.T.S.

NOTE:
APPROXIMATELY 39,900 C.Y. OF EARTHEN MATERIAL WILL BE REQUIRED TO CONSTRUCT CONTAINMENT DIKES.

- REVISED 9-11-13
- REVISED 5-15-13
- REVISED 12-20-11
- REVISED 11-30-11
- REVISED 7-18-11
- REVISED 7-13-11
- REVISED 6-21-11

FILE: 110011\RESTORATION SYSTEM, LLC\PERMIT\07-SHTS-02-03.dwg

RESTORATION SYSTEMS, LLC

OVERALL TYPICAL MITIGATION SECTION AND DETAIL.

Angelette • Picciola, LLC

CONSULTING ENGINEERS & SURVEYORS

13379 HWY 3235 - CUT OFF, LA 70345

P. O. BOX 970 - LAROSE, LA 70373

PHONE: 985-798-7700

FAX: 985-798-7755

DESIGNED BY
L.J.P.

DRAWN BY
A.J.L.

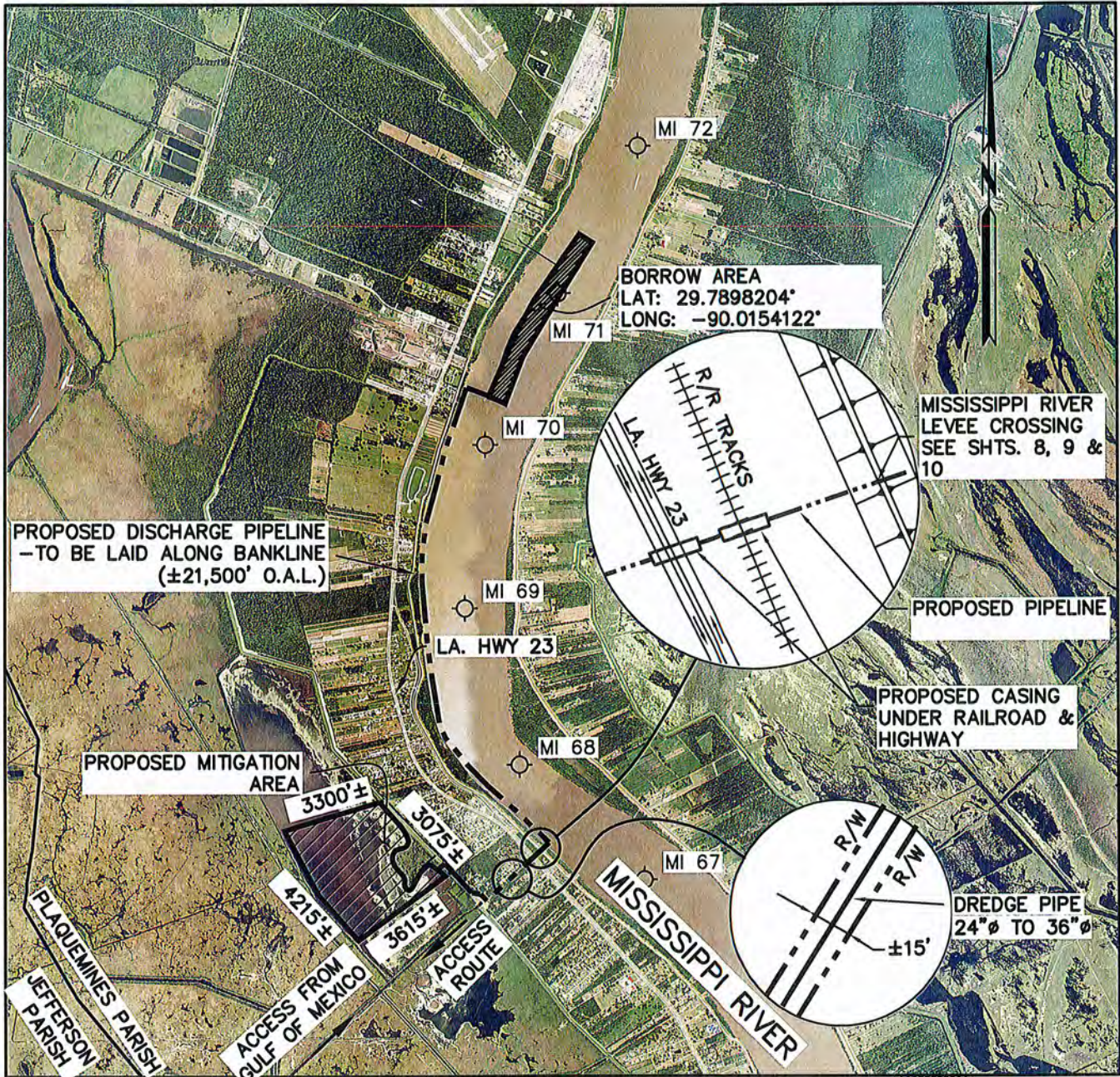
CHECKED BY
K.S.P.

SCALE
SHOWN

DATE
6-9-11

PROJECT
110011

SHEET NO.
3 OF 13



OVERALL SITE PLAN

LEGEND

- PROPOSED MITIGATION AREA
- BORROW AREA
- 66 - RIVER MILE

SCALE: 1" = 5000'

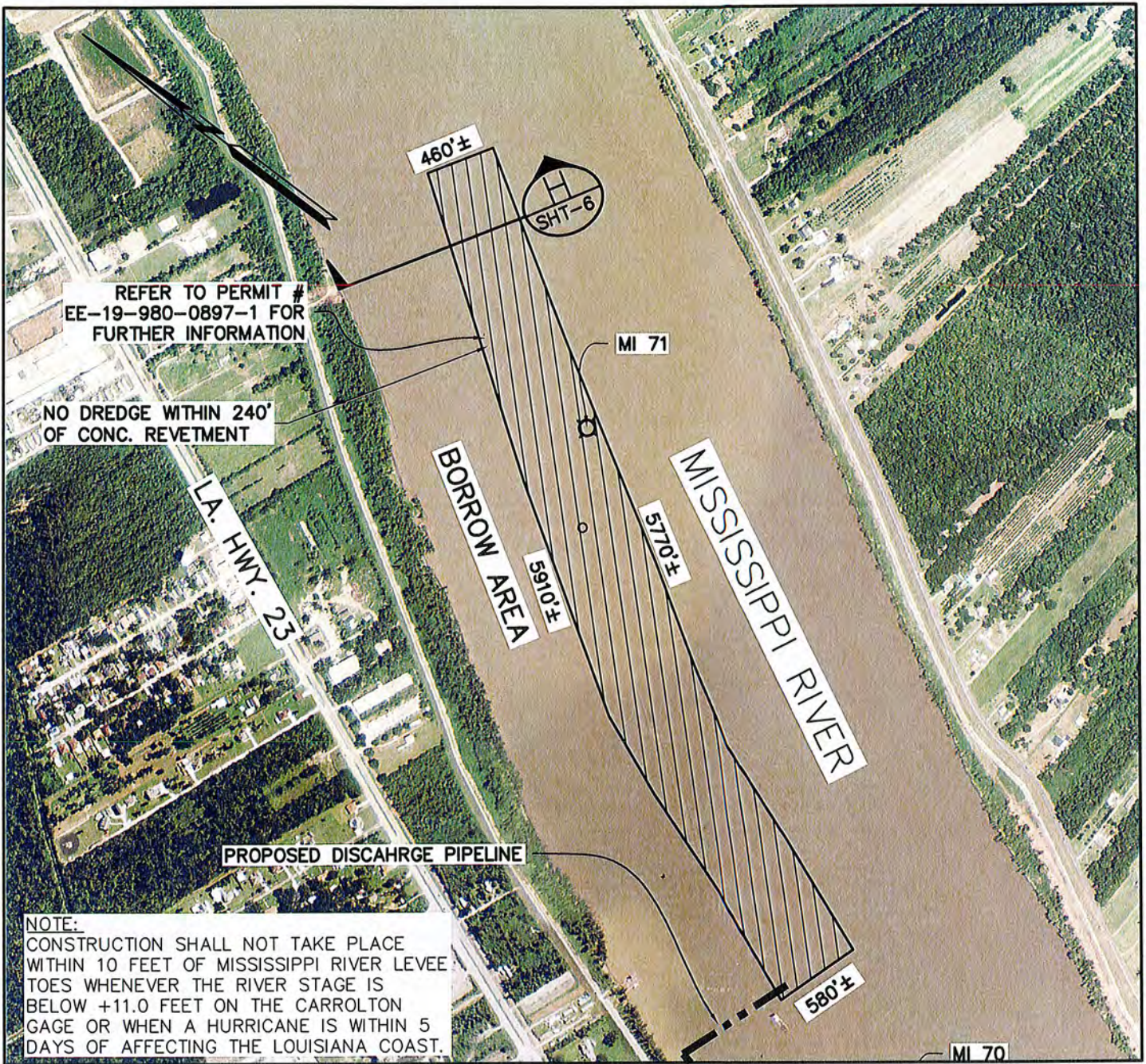


FILE: 110011\RESTORATION SYSTEM, LLC\PERMIT\07-SHT-04-06.dwg



- REVISED 9-11-13
- REVISED 5-15-13
- REVISED 12-20-11
- REVISED 11-30-11
- REVISED 7-18-11
- REVISED 7-13-11
- REVISED 6-21-11

<p>RESTORATION SYSTEMS, LLC</p> <p>OVERALL SITE PLAN SHOWING LOCATION OF PROPOSED MITIGATION AREA, BORROW AREA, AND DISCHARGE PIPELINE PROJECTION.</p>	<p>Angelette • Picciola, LLC</p> <p>CONSULTING ENGINEERS & SURVEYORS</p> <p>13379 HWY 3235 - CUT OFF, LA 70345 P.O. BOX 970 - LAROSE, LA 70373</p> <p>PHONE: 985-798-7700 FAX: 985-798-7755</p>	<p>SCALE SHOWN</p> <p>DATE 6-9-11</p> <p>PROJECT 110011</p> <p>SHEET NO. 4 OF 13</p>
<p>DESIGNED BY L.J.P.</p>	<p>DRAWN BY A.J.L.</p>	<p>CHECKED BY K.S.P.</p>



REFER TO PERMIT #
EE-19-980-0897-1 FOR
FURTHER INFORMATION

NO DREDGE WITHIN 240'
OF CONC. REVETMENT

LA. HWY. 23

BORROW AREA

MISSISSIPPI RIVER

PROPOSED DISCAHRGE PIPELINE

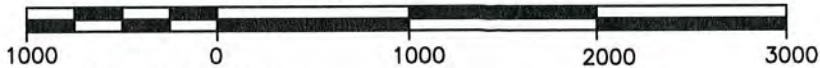
NOTE:
CONSTRUCTION SHALL NOT TAKE PLACE
WITHIN 10 FEET OF MISSISSIPPI RIVER LEVEE
TOES WHENEVER THE RIVER STAGE IS
BELOW +11.0 FEET ON THE CARROLTON
GAGE OR WHEN A HURRICANE IS WITHIN 5
DAYS OF AFFECTING THE LOUISIANA COAST.



SITE PLAN
BORROW AREA

- LEGEND**
- NAV. CHANNEL
 - BORROW AREA
 - RIVER MILE

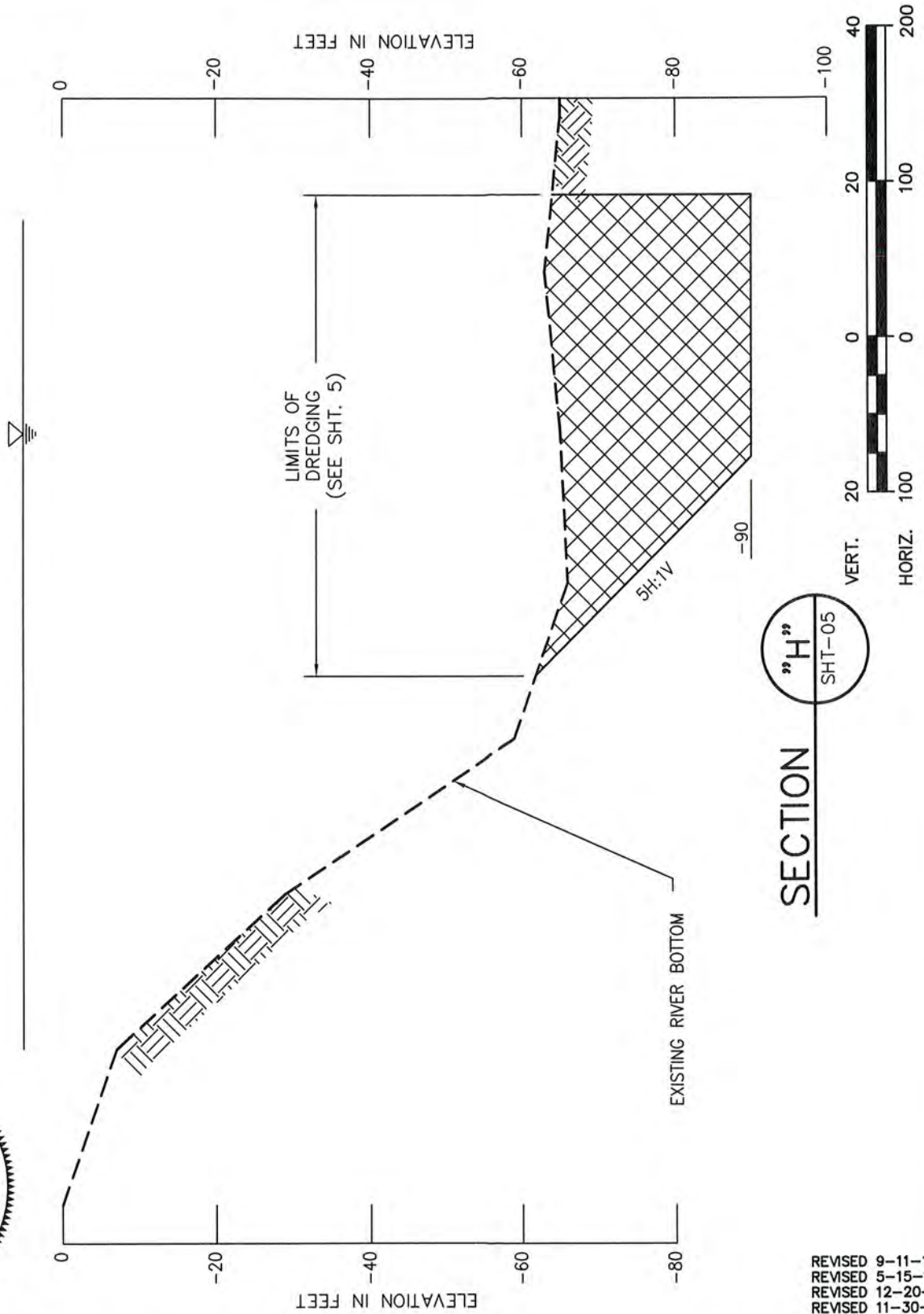
SCALE: 1" = 1000'



- REVISED 9-11-13
- REVISED 5-15-13
- REVISED 12-20-11
- REVISED 11-30-11
- REVISED 7-18-11
- REVISED 7-13-11
- REVISED 6-21-11

FILE: 110011\RESTORATION SYSTEM, LLC\PERMIT\07-SHT-04-06.dwg

<p>RESTORATION SYSTEMS, LLC</p> <p>SITE PLAN SHOWING LOCATION OF PROPOSED BORROW AREA.</p>	<p>Angelette • Picciola, LLC</p> <p>CONSULTING ENGINEERS & SURVEYORS</p> <p>13379 HWY 3235 - CUT OFF, LA 70345 P.O. BOX 970 - LAROSE, LA 70373</p> <p>PHONE: 985-798-7700 FAX: 985-798-7755</p>	<p>SCALE SHOWN</p> <p>DATE 6-9-11</p> <p>PROJECT 110011</p> <p>SHEET NO. 5 OF 13</p>
<p>DESIGNED BY L.J.P.</p>	<p>DRAWN BY A.J.L.</p>	<p>CHECKED BY K.S.P.</p>



SECTION "H"
SHT-05

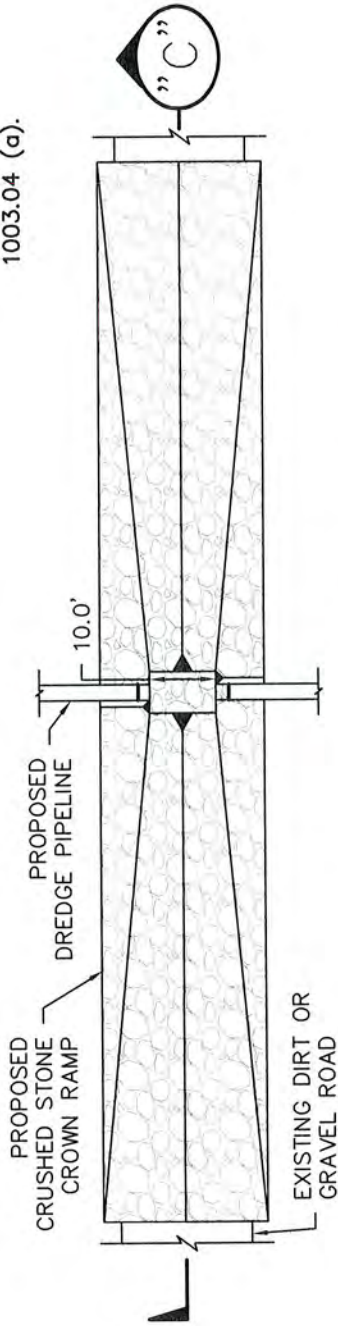


FILE: 110011\RESTORATION SYSTEM, LLC\PERMIT\07-SHT-04-06.dwg

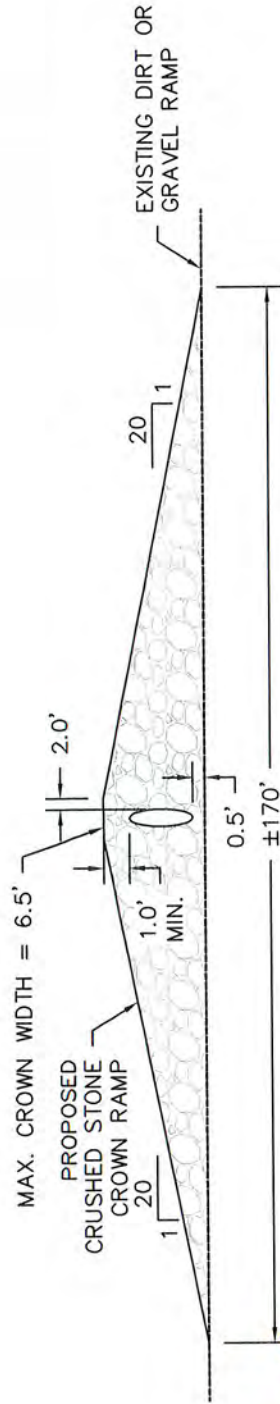
- REVISED 9-11-13
- REVISED 5-15-13
- REVISED 12-20-11
- REVISED 11-30-11
- REVISED 7-18-11
- REVISED 7-13-11
- REVISED 6-21-11

RESTORATION SYSTEMS, LLC TYPICAL BORROW SECTION.	Angelette • Picciola, LLC CONSULTING ENGINEERS & SURVEYORS 13379 HWY 3235 - CUT OFF, LA 70345 P.O. BOX 970 - LAROSE, LA 70373 PHONE: 985-798-7700 FAX: 985-798-7755		SCALE SHOWN
	DESIGNED BY L.J.P.	DRAWN BY A.J.L.	CHECKED BY K.S.P.

NOTE:
 THE CROWN RAMP OVER THE
 PIPELINE CROSSINGS SHALL
 CONSIST OF CRUSHED STONE FOR
 FULL WIDTH (10' MINIMUM) AND
 LENGTH OF RAMP. THE CRUSHED
 STONE MATERIAL SHALL CONFORM
 TO DOTD 2000 SPECIFICATION
 1003.04 (a).



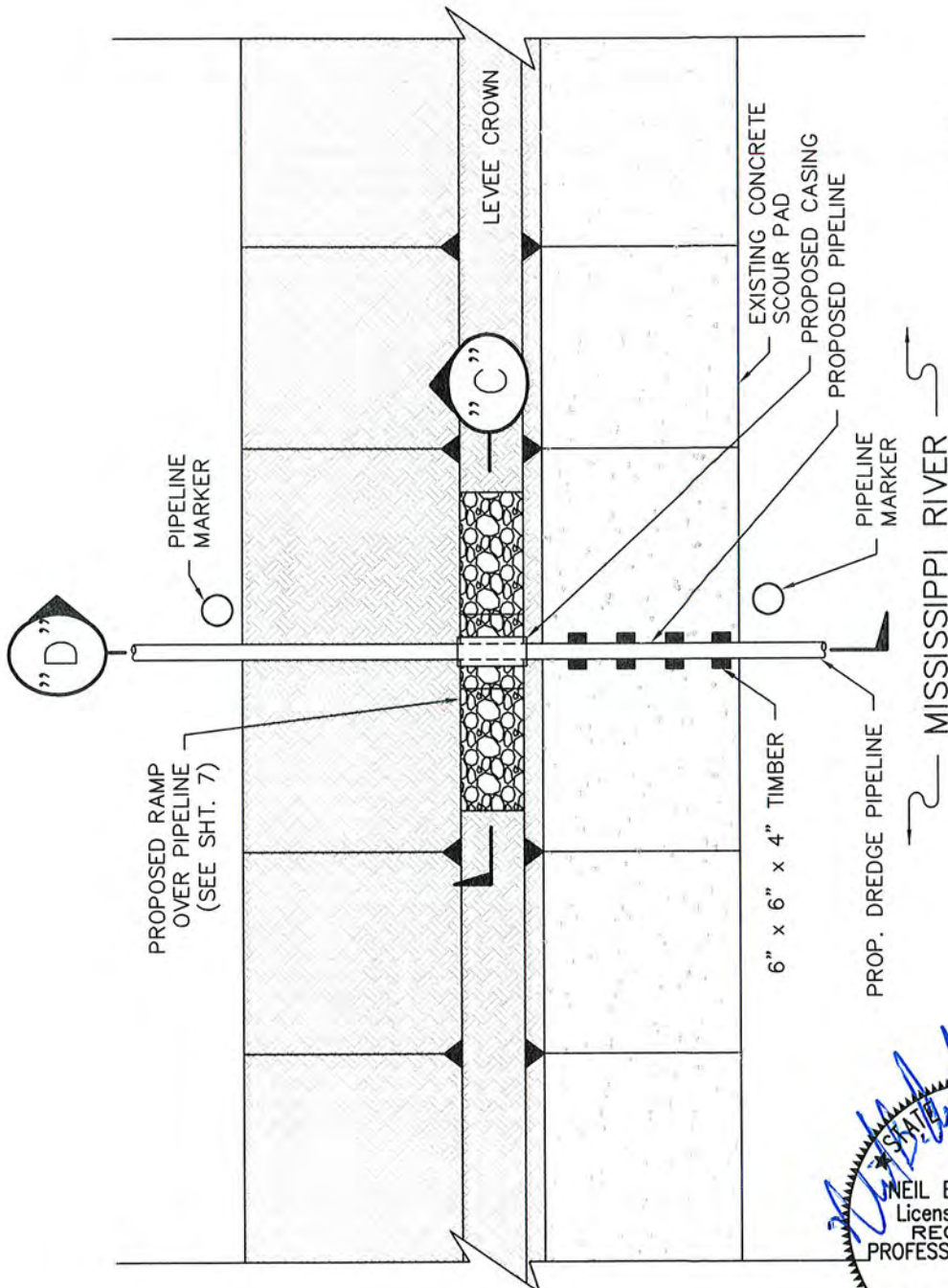
**GRAVEL OR DIRT ROAD CROSSING
 PLAN VIEW**



FILE: 110011\RESTORATION SYSTEM, LLC\PERMIT\07-SHT-07-13.dwg

- REVISED 9-11-13
- REVISED 5-15-13
- REVISED 12-20-11
- REVISED 11-30-11
- REVISED 7-18-11
- REVISED 7-13-11
- REVISED 6-21-11

RESTORATION SYSTEMS, LLC TYPICAL ROAD CROSSING DETAILS.	Angelette • Picciola, LLC CONSULTING ENGINEERS & SURVEYORS 13379 HWY 3235 - CUT OFF, LA 70345 P.O. BOX 970 - LAROSE, LA 70373 PHONE: 985-798-7700 FAX: 985-798-7755		SCALE N.T.S.
	DESIGNED BY L.J.P.	DRAWN BY A.J.L.	CHECKED BY K.S.P.



- NOTES:
- TEMPORARY PIPELINE MARKERS INDICATING OWNER, CONTENTS, AND ADDRESS FOR CONTACTING OWNER SHALL BE PLACED AND MAINTAINED AT EACH TOE OF THE LEVEE NEAR DREDGE PIPELINE.
 - PIPELINE WILL NOT REMAIN IN PLACE AND WILL BE IN USE FOR APPROXIMATELY 6 MONTHS.

MISSISSIPPI RIVER LEVEE
 PLAN VIEW
 N.T.S.

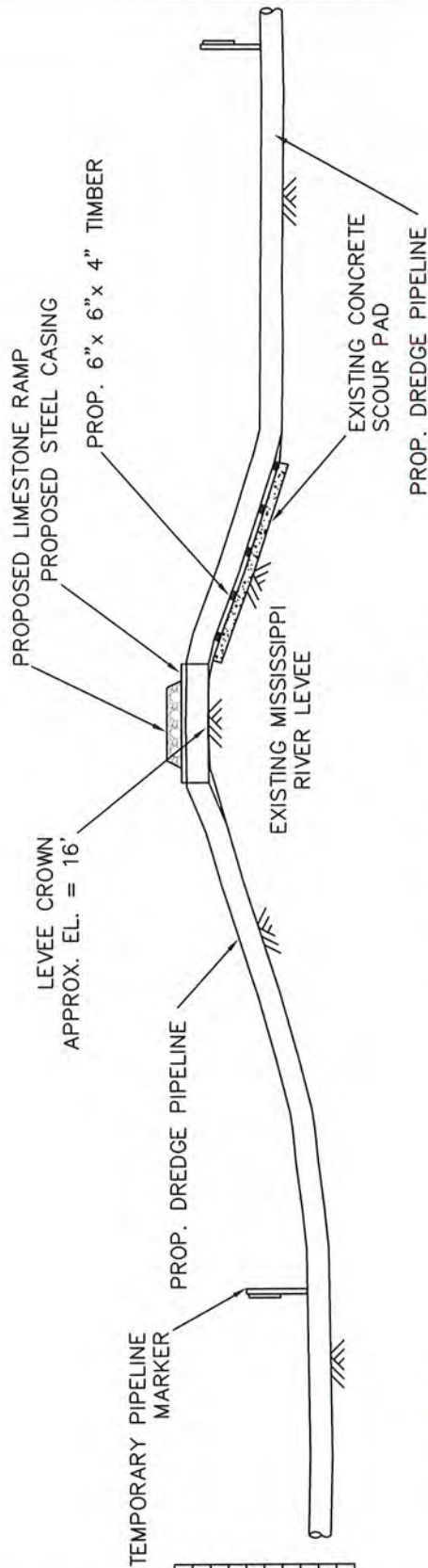


- REVISED 9-11-13
- REVISED 5-15-13
- REVISED 12-20-11
- REVISED 11-30-11
- REVISED 7-18-11
- REVISED 7-13-11
- REVISED 6-21-11

FILE: 110011\RESTORATION SYSTEM, LLC\PERMIT\07-SHTS-07-13.dwg

RESTORATION SYSTEMS, LLC MISSISSIPPI RIVER LEVEE CROSSING PLAN VIEW.	Angelette • Picciola, LLC CONSULTING ENGINEERS & SURVEYORS 13379 HWY 3235 - CUT OFF, LA 70345 P.O. BOX 970 - LAROSE, LA 70373 PHONE: 985-798-7700 FAX: 985-798-7755		SCALE N.T.S.
	DESIGNED BY L.J.P.	DRAWN BY A.J.L.	CHECKED BY K.S.P.
			PROJECT 110011
			SHEET NO. 8 OF 13

MISSISSIPPI RIVER
SIDE



SECTION "D"
SHT-8



- NOTES:
- TEMPORARY PIPELINE MARKERS INDICATING OWNER, CONTENTS, AND ADDRESS FOR CONTACTING OWNER SHALL BE PLACED AND MAINTAINED AT EACH TOE OF THE LEVEE NEAR DREDGE PIPELINE.
 - PIPELINE WILL NOT REMAIN IN PLACE AND WILL BE IN USE FOR APPROXIMATELY 6 MONTHS.



- REVISED 9-11-13
- REVISED 5-15-13
- REVISED 12-20-11
- REVISED 11-30-11
- REVISED 7-18-11
- REVISED 7-13-11
- REVISED 6-21-11

FILE: 110011\RESTORATION SYSTEM, LLC\PERMIT\07-SHTS-07-13.dwg

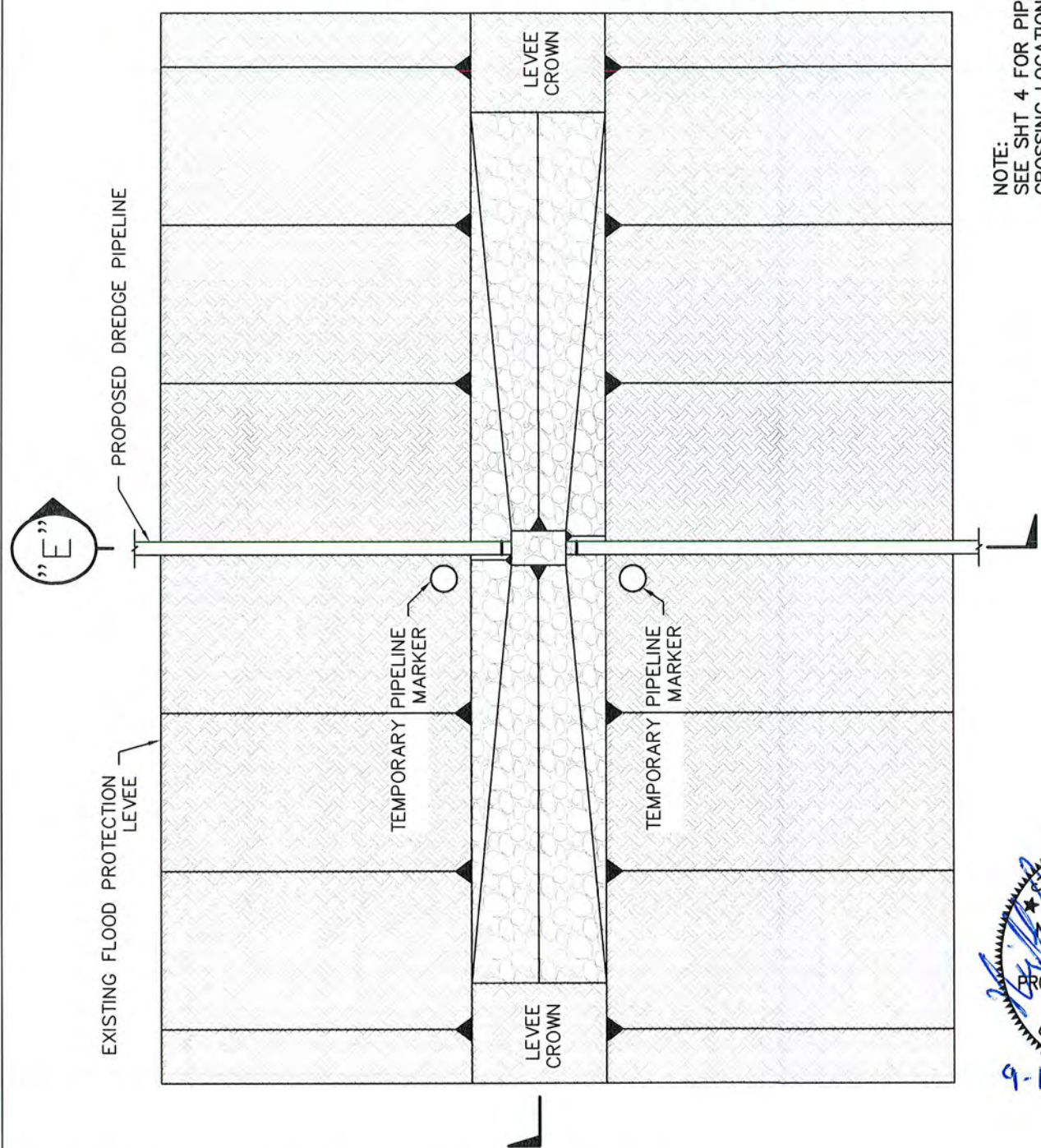
RESTORATION SYSTEMS, LLC MISSISSIPPI RIVER LEVEE CROSSING SECTION VIEW.	Angelette • Picciola, LLC CONSULTING ENGINEERS & SURVEYORS 13379 HWY 3235 - CUT OFF, LA 70345 P.O. BOX 970 - LAROSE, LA 70373 PHONE: 985-798-7700 FAX: 985-798-7755		SCALE N.T.S.
	DESIGNED BY L.J.P.	DRAWN BY A.J.L.	CHECKED BY K.S.P.
			PROJECT 110011
			SHEET NO. 9 OF 13

NOTE:
 TEMPORARY PIPELINE
 MARKERS INDICATING
 OWNER, CONTENTS,
 AND ADDRESS FOR
 CONTACTING OWNER
 SHALL BE PLACED
 AND MAINTAINED AT
 EACH TOE OF THE
 LEVEE NEAR DREDGE
 PIPELINE.



NOTE:
 THE CROWN RAMP
 OVER THE PIPELINE
 CROSSINGS SHALL
 CONSIST OF CRUSHED
 STONE FOR FULL
 WIDTH (10' MINIMUM)
 AND LENGTH OF
 RAMP. THE CRUSHED
 STONE MATERIAL
 SHALL CONFORM TO
 DOTD 2000
 SPECIFICATION
 1003.04 (a).

NOTE:
 SEE SHT 4 FOR PIPELINE
 CROSSING LOCATION.



**PLAQUEMINES PARISH FLOOD
 PROTECTION LEVEE**
 N.T.S.

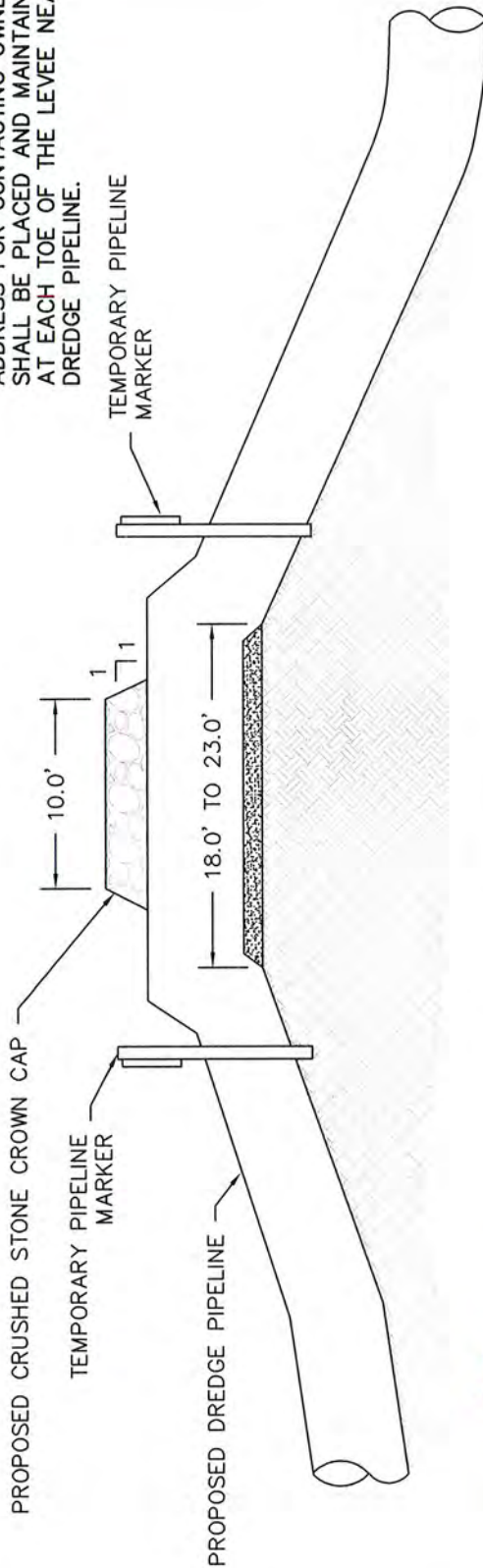


- REVISED 9-11-13
- REVISED 5-15-13
- REVISED 12-20-11
- REVISED 11-30-11
- REVISED 7-18-11
- REVISED 7-13-11
- REVISED 6-21-11

FILE: 110011\RESTORATION SYSTEM, LLC\PERMIT\07-SHTS-07-13.dwg

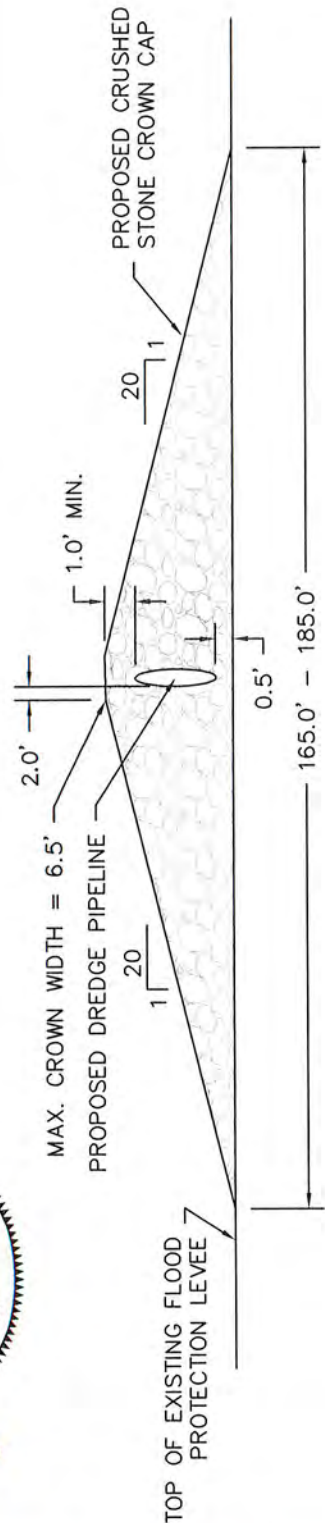
RESTORATION SYSTEMS, LLC TYPICAL PROTECTION LEVEE CROSSING DETAIL.	Angelette • Picciola, LLC CONSULTING ENGINEERS & SURVEYORS 13379 HWY 3235 - CUT OFF, LA 70345 P.O. BOX 970 - LAROSE, LA 70373 PHONE: 985-798-7700 FAX: 985-798-7755		SCALE N.T.S.
	DESIGNED BY L.J.P.		DATE 6-9-11
DRAWN BY A.J.L.		PROJECT 110011	
CHECKED BY K.S.P.		SHEET NO. 10 OF 13	

NOTE:
 TEMPORARY PIPELINE MARKERS
 INDICATING OWNER, CONTENTS, AND
 ADDRESS FOR CONTACTING OWNER
 SHALL BE PLACED AND MAINTAINED
 AT EACH TOE OF THE LEVEE NEAR
 DREDGE PIPELINE.



"E"
 SHT-10

SECTION



"F"
 SHT-10

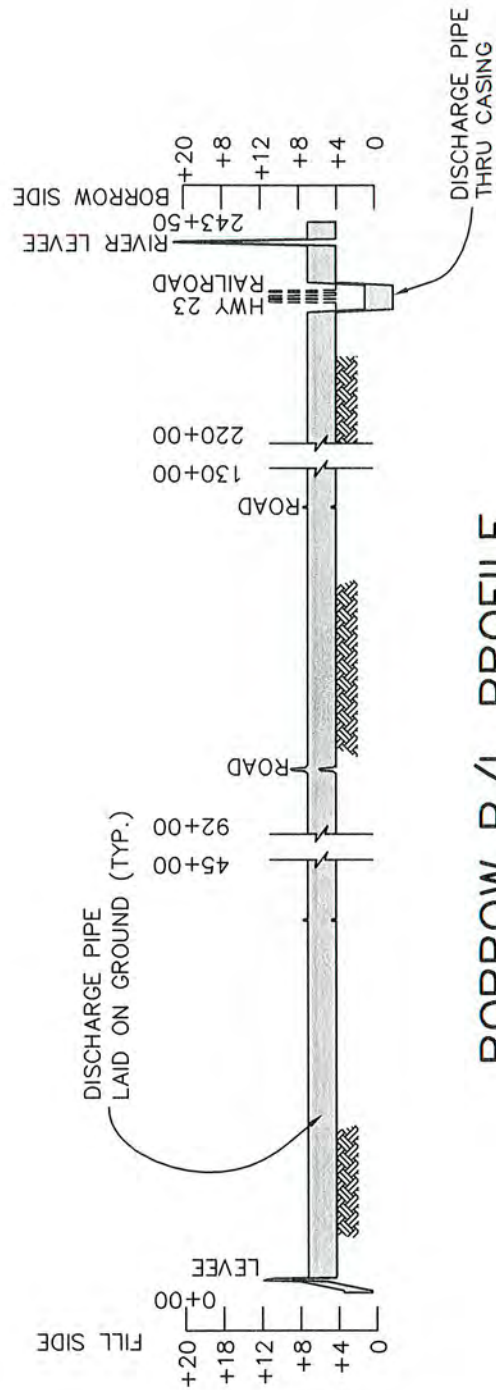
SECTION



REVISED 9-11-13
 REVISED 5-15-13
 REVISED 12-20-11
 REVISED 11-30-11
 REVISED 7-18-11
 REVISED 7-13-11
 REVISED 6-21-11

FILE: 110011\RESTORATION SYSTEM, LLC\PERMIT\07-SHTS-07-13.dwg

RESTORATION SYSTEMS, LLC TYPICAL PROTECTION LEVEE CROSSING SECTIONS.	Angelette • Picciola, LLC CONSULTING ENGINEERS & SURVEYORS 13379 HWY 3235 - CUT OFF, LA 70345 P.O. BOX 970 - LAROSE, LA 70373 PHONE: 985-798-7700 FAX: 985-798-7755		SCALE N.T.S.
	DESIGNED BY L.J.P.	DRAWN BY A.J.L.	CHECKED BY K.S.P.
		DATE 6-9-11	PROJECT 110011
		SHEET NO. 11 OF 13	



BORROW P/L PROFILE

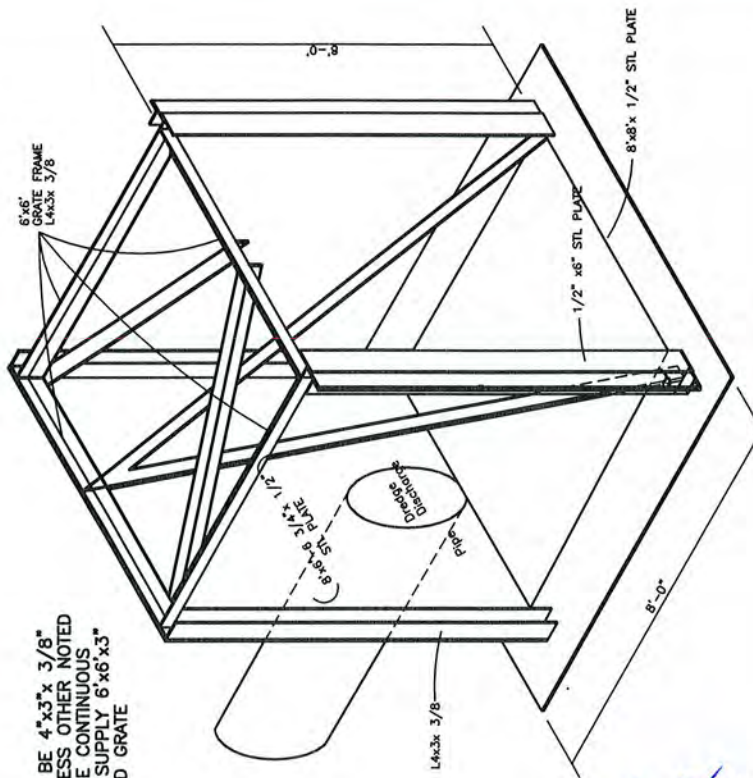
SCALE: HORIZ 1"=2000'
VERT 1"=20'



- REVISÉ 9-11-13
- REVISÉ 5-15-13
- REVISÉ 12-20-11
- REVISÉ 11-30-11
- REVISÉ 7-18-11
- REVISÉ 7-13-11
- REVISÉ 6-21-11

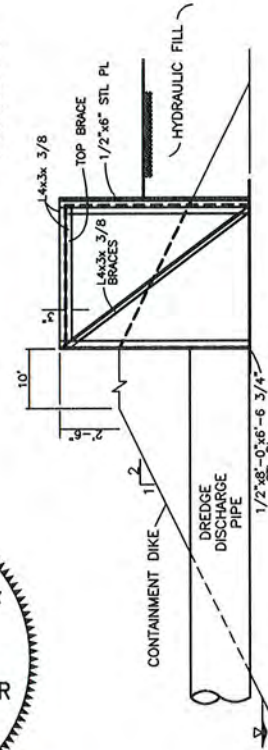
FILE: 110011\RESTORATION SYSTEM, LLC\PERMIT\07-SHTS-07-13.dwg

RESTORATION SYSTEMS, LLC DISCHARGE PIPELINE PROFILES	Angelette • Picciola, LLC CONSULTING ENGINEERS & SURVEYORS 13379 HWY 3235 - CUT OFF, LA 70345 P.O. BOX 970 - LAROSE, LA 70373 PHONE: 985-798-7700 FAX: 985-798-7755		SCALE N.T.S.
	DESIGNED BY L.J.P.	DRAWN BY A.J.L.	CHECKED BY K.S.P.

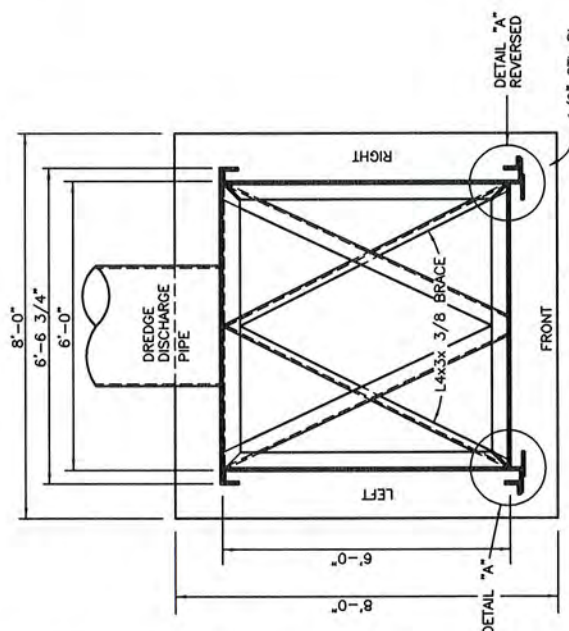


NOTE: ALL BRACING TO BE 4"x3"x 3/8" ANGLE IRON UNLESS OTHER NOTED. ALL WELDS TO BE CONTINUOUS. CONTRACTOR TO SUPPLY 6"x6"x3" 1 3/4" SERRATED GRATE.

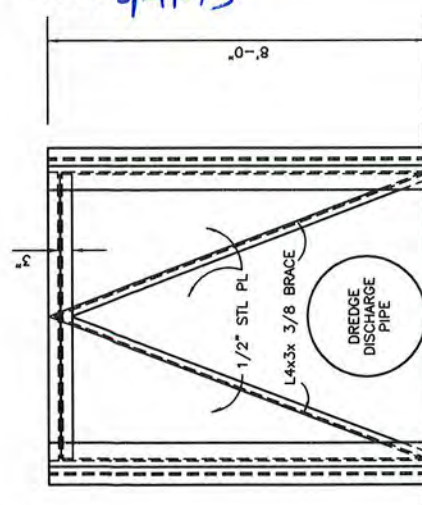
FRAME DETAIL ISOMETRIC VIEW SCALE 3/32"=1'-0"



LEFT VIEW SCALE 1/8"=1'-0"



TOP VIEW SCALE 1/4"=1'-0"



FRONT VIEW SCALE 1/4"=1'-0"

FILE: 110011\RESTORATION SYSTEM, LLC\PERMIT\07-SHTS-07-13.dwg

- REVISED 9-11-13
- REVISED 5-15-13
- REVISED 12-20-11
- REVISED 11-30-11
- REVISED 7-18-11
- REVISED 7-13-11
- REVISED 6-21-11

RESTORATION SYSTEMS, LLC	Angelette • Picciola, LLC		SCALE NOTED
	CONSULTING ENGINEERS & SURVEYORS		DATE 6-9-11
OVERFLOW BOX DETAILS	13379 HWY 3235 - CUT OFF, LA 70345 P.O. BOX 970 - LAROSE, LA 70373		PROJECT 110011
	PHONE: 985-798-7700	FAX: 985-798-7755	SHEET NO. 13 OF 13
	DESIGNED BY L.J.P.	DRAWN BY A.J.L.	CHECKED BY K.S.P.