



DEPARTMENT OF THE ARMY
CORPS OF ENGINEERS, NEW ORLEANS DISTRICT
7400 LEAKE AVE
NEW ORLEANS LA 70118-3651

July 16, 2018

Operations Division
Central Evaluation Section

Project Manager
Dirreen Arnold
(504) 862-2301
Dirreen.S.Arnold@usace.army .mil

SUBJECT: MVN 2005-03561 CA

PUBLIC NOTICE

Interested parties are hereby notified that a permit application has been received by the New Orleans District of the US Army Corps of Engineers pursuant to: [X] Section 10 of the Rivers and Harbors Act of March 3, 1899 (30 Stat. 1151; 33 USC 403).

**COVERED BOAT LIFT INSTALLATION, BAYOU DULARGE
TERREBONNE PARISH**

NAME OF APPLICANT: STEVEN WELCH, 7037 Dianthus Drive, Baton Rouge, Louisiana 70817

LOCATION OF WORK: Bayou Dularge, in Section 26, Township 19 South, Range 16 East, at 2207 Brady Road, Theriot, Louisiana, (29.390555, -90.802222), in Terrebonne Parish, as shown on the enclosed drawings, within Hydrologic Unit Code 08090302, West Central Louisiana Coastal.

CHARACTER OF WORK: The applicant has requested Department of the Army authorization to install and maintain a covered boat lift in Bayou Dularge for recreational purposes. The proposed covered boat lift will be installed along an existing 8-ft wide by 32-ft long pier and extend approximately 35 feet channelward, where the width of Bayou Dularge at the site is approximately 116 feet wide. No dredging or fill will be required for the structure installation. No special aquatic sites will be affected by this project and no mitigation is anticipated.

The comment period for the Department of the Army Permit will close **15 days** from the date of this public notice. Written comments, including suggestions for modifications or objections to the proposed work, stating reasons thereof, are being solicited from anyone having interest in this permit must be mailed so as to be received before or by the last day of the comment period. Letters concerning the Corps of Engineers permit application must reference the applicant's name and the Permit

Application Number, and be mailed to the Corps of Engineers at the address above, **ATTENTION: REGULATORY BRANCH**. Individuals or parties may request an extension of time in which to comment on the proposed work by writing or e-mailing the Corps of Engineers Project Manager listed above. Any request must be specific and substantively supportive of the requested extension, and received by this office prior to the end of the initial comment period. The Section Chief will review the request and the requestor will be promptly notified of the decision to grant or deny the request. If granted, the time extension will be continuous to the initial comment period and, inclusive of the initial comment period, will not exceed a total of 30 calendar days.

Corps of Engineers Permit Criteria

The decision whether to issue a permit will be based on an evaluation of the probable impacts, including cumulative impacts of the proposed activity on the public interest. That decision will reflect the national concern for both protection and utilization of important resources. The benefit which reasonably may be expected to accrue from the proposal must be balanced against its reasonably foreseeable detriments. All factors which may be relevant to the proposal will be considered including the cumulative effects thereof; among those are conservation, economics, aesthetics, general environmental concerns, wetlands, historic properties, fish and wildlife values, flood hazards, floodplain values, land use, navigation, shoreline erosion and accretion, recreation, water supply and conservation, water quality, energy needs, safety, food and fiber production, mineral needs, considerations of property ownership and, in general, the needs and welfare of the people.

The U.S. Army Corps of Engineers is soliciting comments from the public, federal, state, and local agencies and officials, Indian Tribes, and other interested parties in order to consider and evaluate the impacts of this proposed activity. Any comments received will be considered by the U.S. Army Corps of Engineers to determine whether to make, modify, condition, or deny a permit for this proposal. To make this decision, comments are used to assess impacts on endangered species, historic properties, water quality, general environmental effects, and other public interest factors listed above. Comments are used in the preparation of an Environmental Assessment and/or an Environmental Impact Statement pursuant to the National Environmental Policy Act. Comments are also used to determine the need for a public hearing and to determine the overall public interest of the proposed activity.

The New Orleans District is unaware of properties listed on the National Register of Historic Places near the proposed work. The possibility exists that the proposed work may damage or destroy presently unknown archeological, scientific, pre-historical, historical sites, or data. Issuance of this public notice solicits input from the State Archeologist and State Historic Preservation Officer regarding potential impacts to cultural resources.

The New Orleans District has determined that the proposed project is located within waters known to be occupied by the endangered West Indian Manatee (*Trichechus manatus*) and determined with the inclusion of the Standard Manatee Conditions for In-Water Activities the proposed activity is not likely to adversely affect the species based on the Standard Local Operating Procedure for Endangered Species in Louisiana (SLOPES), dated October 22, 2014, between the U.S. Army Corps of Engineers, New Orleans and U.S. Fish and Wildlife Service, Ecological Services Office.

This notice initiates the Essential Fish Habitat (EFH) consultation requirements of the Magnuson-Stevens Fishery Conservation and Management Act. The applicant's proposal may result in the destruction or alteration of N/A acres of EFH utilized by various life stages of red drum and penaeid shrimp. Our initial determination is that the proposed action would not have a substantial adverse impact on EFH or federally managed fisheries in the Gulf of Mexico. Our final determination relative to project impacts and the need for mitigation measures is subject to review by and coordination with the National Marine Fisheries Service.

If the proposed work involves deposits of dredged or fill material into navigable waters, the evaluation of the probable impacts will include the application of guidelines established by the Administrator of the Environmental Protection Agency. Also, a certification that the proposed activity will not violate applicable water quality standards will be required from the Department of Environmental Quality, before a permit is issued.

Any person may request, in writing, within the comment period specified in this notice, that a public hearing be held to consider this application. Requests for public hearings shall state, with particularity, the reasons for holding a public hearing.

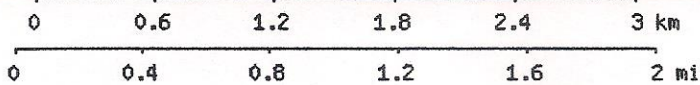
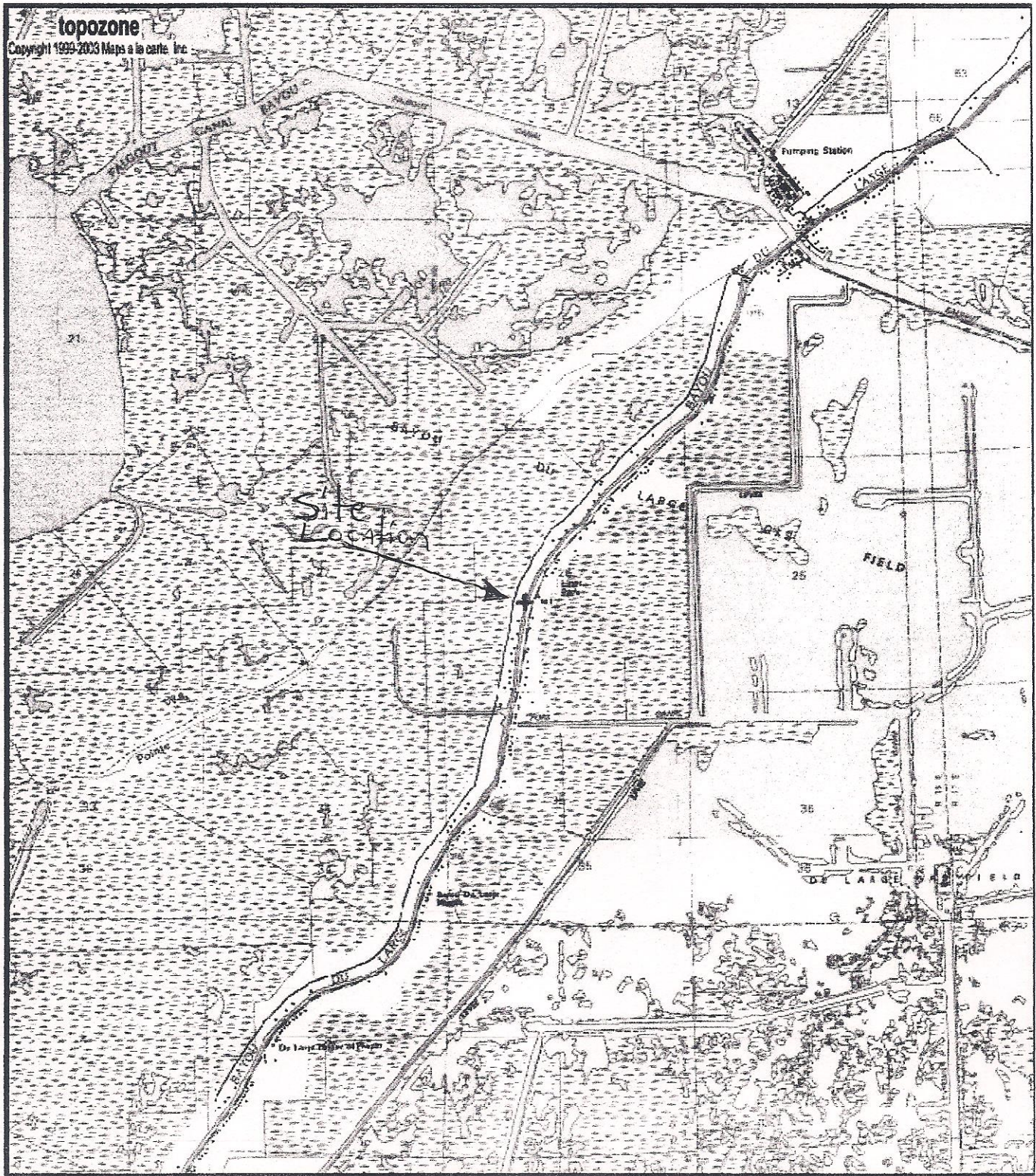
The applicant has certified that the proposed activity described in the application complies with and will be conducted in a manner that is consistent with the Louisiana Coastal Resources Program. The Department of the Army permit will not be issued unless the applicant received approval or a waiver of the Coastal Use Permit by the Department of Natural Resources.

You are requested to communicate the information contained in this notice to any other parties whom you deem likely to have interest in the matter.

JOHN M. HERMAN
Chief, Central Evaluation Section
Regulatory Branch

Enclosure

Vicinity Map



→ Map center is 29° 23' 26"N, 90° 48' 08"W (WGS84/NAD83)

Lake Theriot quadrangle

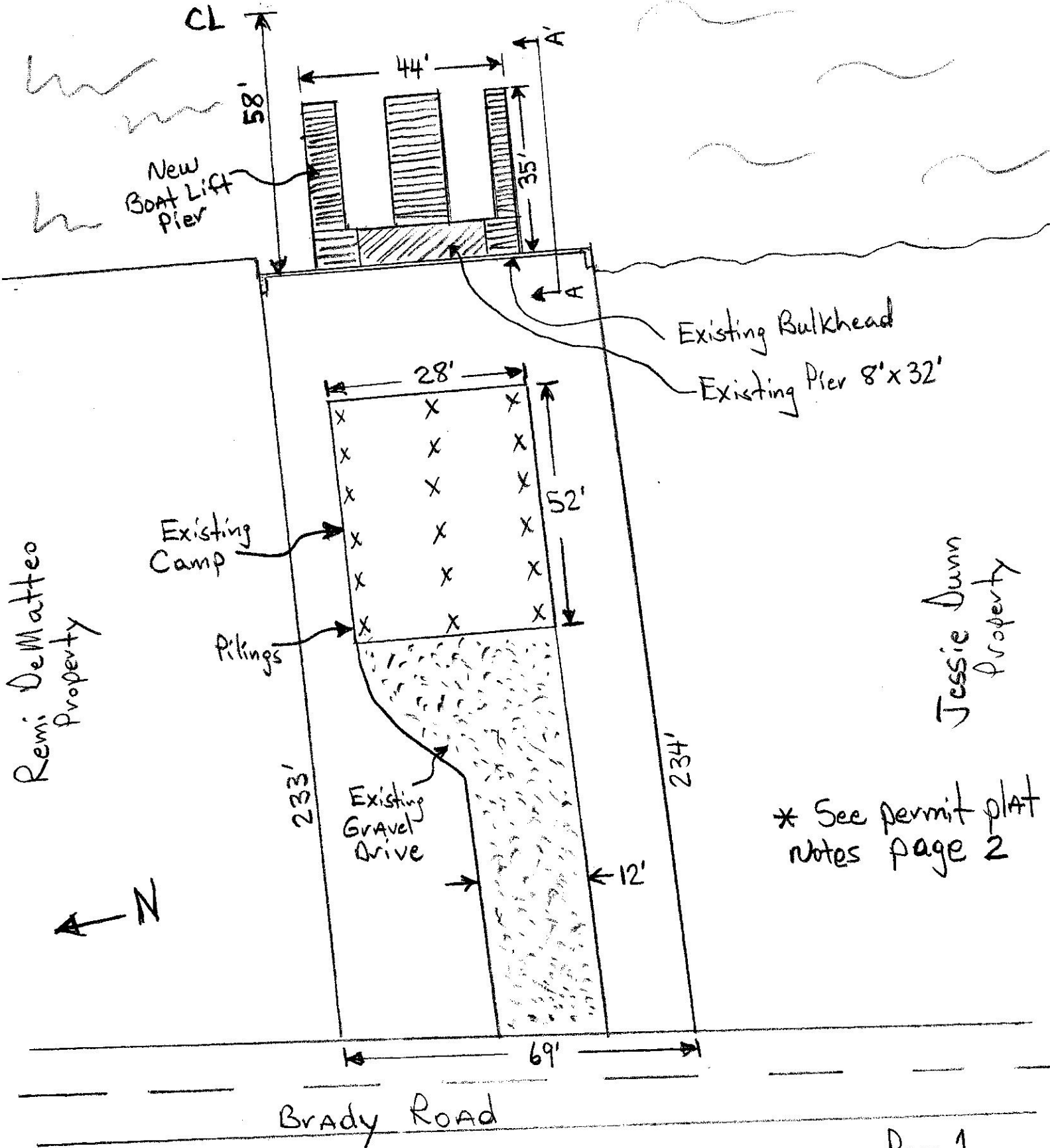
Projection is UTM Zone 15 NAD83 Datum

M=1.144
G=1.079

Site Location
(center of this map)
" + "

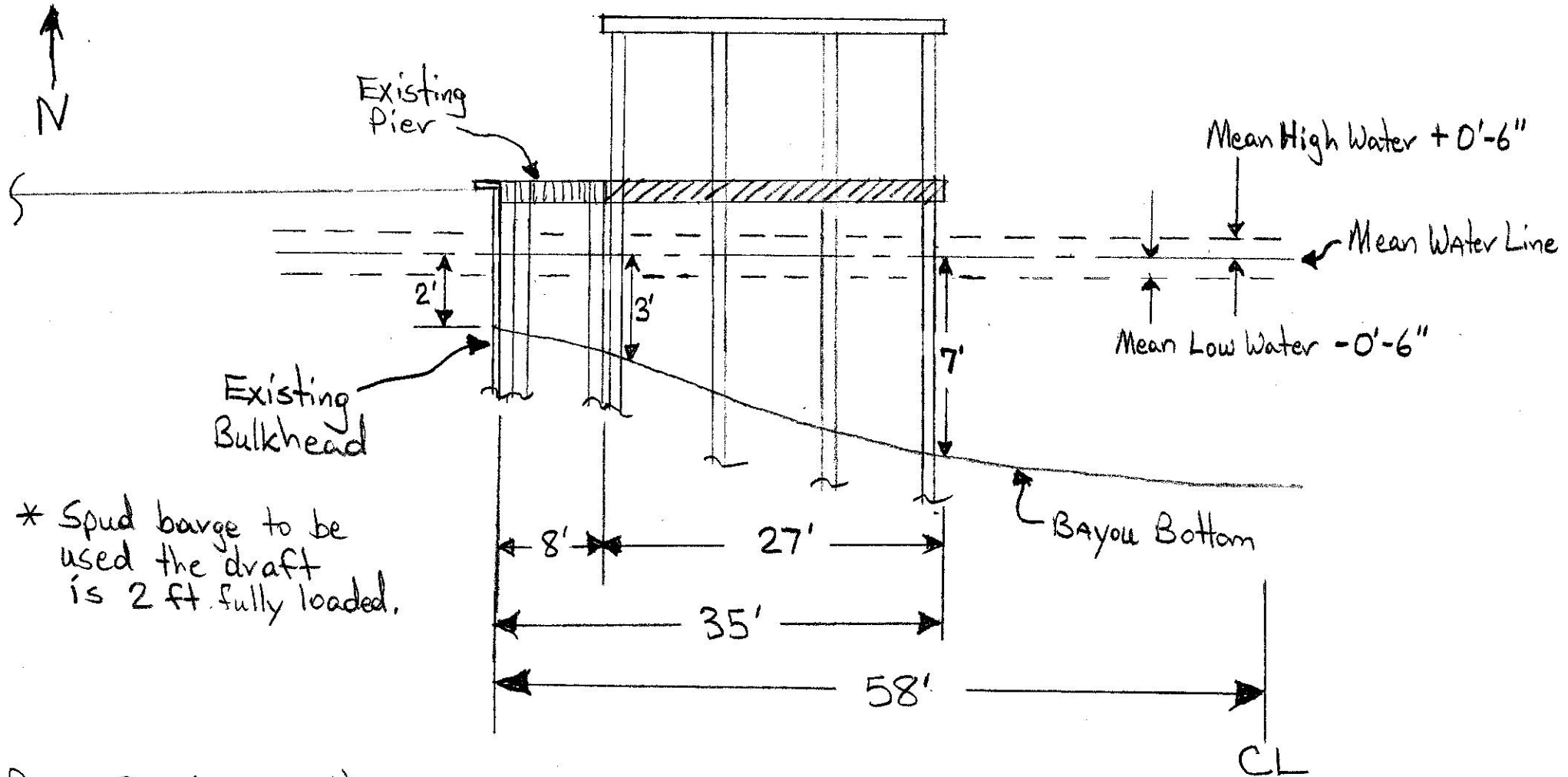
Plan View
(not to scale)

Bayou Dularge



* See permit plat
notes page 2

Cross Section A-A'
(not to scale - use dimensions)



* Spud barge to be used the draft is 2 ft. fully loaded.

P20180725

Permit Plat Notes:

1. As built drawings will be submitted to DOR within 30 days of completion.
Submit to Office of Coastal Management, P.O. Box 44487, Baton Rouge, LA 70804
2. Structure will be removed within 120 days if abandonment or disrepair.
3. Structure will be marked/lighted in accordance with U.S. Coast Guard regulations.
4. Louisiana One Call will be contacted 48 hours prior to commencing work.
5. Spud barge draft fully loaded is 2 ft.