



DEPARTMENT OF THE ARMY
CORPS OF ENGINEERS, NEW ORLEANS DISTRICT
7400 LEAKE AVENUE
NEW ORLEANS, LOUISIANA 70118

April 16, 2018

REPLY TO
ATTENTION OF:

Operations Division
Western Evaluation Section
Project Manager
Darlene Herman
(504) 862-2287
Darlene.C.Herman@usace.army.mil

SUBJECT: MVN 2001-3270 WB

PUBLIC NOTICE

Interested parties are hereby notified that an application has been received by the District engineer for a Department of the Army permit to authorize the following pursuant to (X) Section 10 of the Rivers and Harbors Act of March 3, 1899 (30 Stat. 1151; 33 USC 403); and/or () Section 404 of the Clean Water Act (86 Stat. 816; 33 USC 1344).

ARTIFICIAL REEF EXPANSION IN THE GULF OF MEXICO

NAME OF APPLICANT: Louisiana Department of Wildlife and Fisheries, Artificial Reef Program, Post Office Box 98000, Baton Rouge, Louisiana 70808.

LOCATION OF WORK: In the Gulf of Mexico, South Timbalier 130, located off the coast of Lafourche Parish, Louisiana, as shown on the attached drawings.

CHARACTER OF WORK: Deploy Arena Offshore's, ST 130 D-Aux, ST 130 D-CP, and ST 130 D-Qtr jackets in the South Timbalier 130 artificial reef site to provide structural habitat for the purpose of enhancing fishing opportunities at an existing LDWLF reef site in the Gulf of Mexico. Clearance from the top of the deployed platform jackets to the water surface will be approximately 53 feet for ST 130 D-Aux, 52 feet for ST-130 D-CP, and 69 feet for ST 130 D-QTR. This request is pursuant to Act 100, 1986 Louisiana Legislature and the National Fishing Enhancement Act of 1984.

The comment period for the Department of the Army Permit will close **15 days** from the date of this joint public notice. Written comments, including suggestions for modifications or objections to the proposed work, stating reasons thereof, are being solicited from anyone having interest in this permit and must be submitted so as to be received before or by the last day of the comment period. Letters concerning the Corps of Engineers permit application must reference the applicant's name and the Permit Application Number, and be forwarded to the Corps of Engineers at the address above,

ATTENTION: REGULATORY BRANCH.

The decision whether to issue a permit will be based on an evaluation of the probable impact including cumulative impacts of the proposed activity on the public interest. That decision will reflect the national concern for both protection and utilization of important resources. The benefit which reasonably may be expected to accrue from the proposal must be balanced against its reasonably foreseeable detriments. All factors which may be relevant to the proposal will be considered including the cumulative effects thereof; among those are conservation, economics, aesthetics, general environmental concerns, wetlands, historic properties, fish and wildlife values, flood hazards, floodplain values, land use, navigation, shoreline erosion and accretion, recreation, water supply and conservation, water quality, energy needs, safety, food and fiber production, mineral needs, consideration of property ownership and, in general, the needs and welfare of the people.

The Corps of Engineers is soliciting comments from the public; federal, state, and local agencies and officials; Indian Tribes; and other interested parties in order to consider and evaluate the impacts of this proposed activity. Any comments received will be considered by the Corps of Engineers to determine whether to issue, modify, condition or deny a permit for this proposal. To make this decision, comments are used to assess impacts on endangered species, historic properties, water quality, general environmental effects, and the other public interest factors listed above. Comments are used in the preparation of an Environmental Assessment and/or Environmental Impact Statement pursuant to the National Environmental Policy Act. Comments are also used to determine the need for a public hearing and to determine the overall public interest of the proposed activity.

The New Orleans District is unaware of properties listed on the National Register of Historic Places near the proposed work. The possibility exists that the proposed work may damage or destroy presently unknown archeological, scientific, prehistorical, historical sites, or data. Issuance of this public notice solicits input from State Archeologist and State Historic Preservation Officer regarding potential impacts to cultural resources.

Our initial finding is that the proposed work would neither affect any species listed as endangered by the U.S. Department of Interior nor affect any habitat designated as critical to the survival and recovery of any endangered species.

This notice initiates the Essential Fish Habitat (EFH) consultation requirements of the Magnus-Stevens Fishery Conservation and Management Act. The applicant's proposal would result in the destruction or alteration of 0 acre(s) of EFH utilized by various life stages of red drum and penaeid shrimp. Our initial determination is that the proposed action would not have a substantial adverse impact on EFH or federally managed fisheries in the Gulf of Mexico. Our final determination relative to project impacts and the need for mitigation measures is subject to review by and coordination with the National Marine Fisheries Service.

If the proposed work involves deposits of dredged or fill material into navigable waters, the evaluation of the probable impacts will include the application of guidelines established by the Administrator of the Environmental Protection Agency and certification that the proposed activity will not violate applicable water quality standards will be required from the Louisiana Department of Environmental Quality, Water Quality Certifications Section, before a permit is issued.

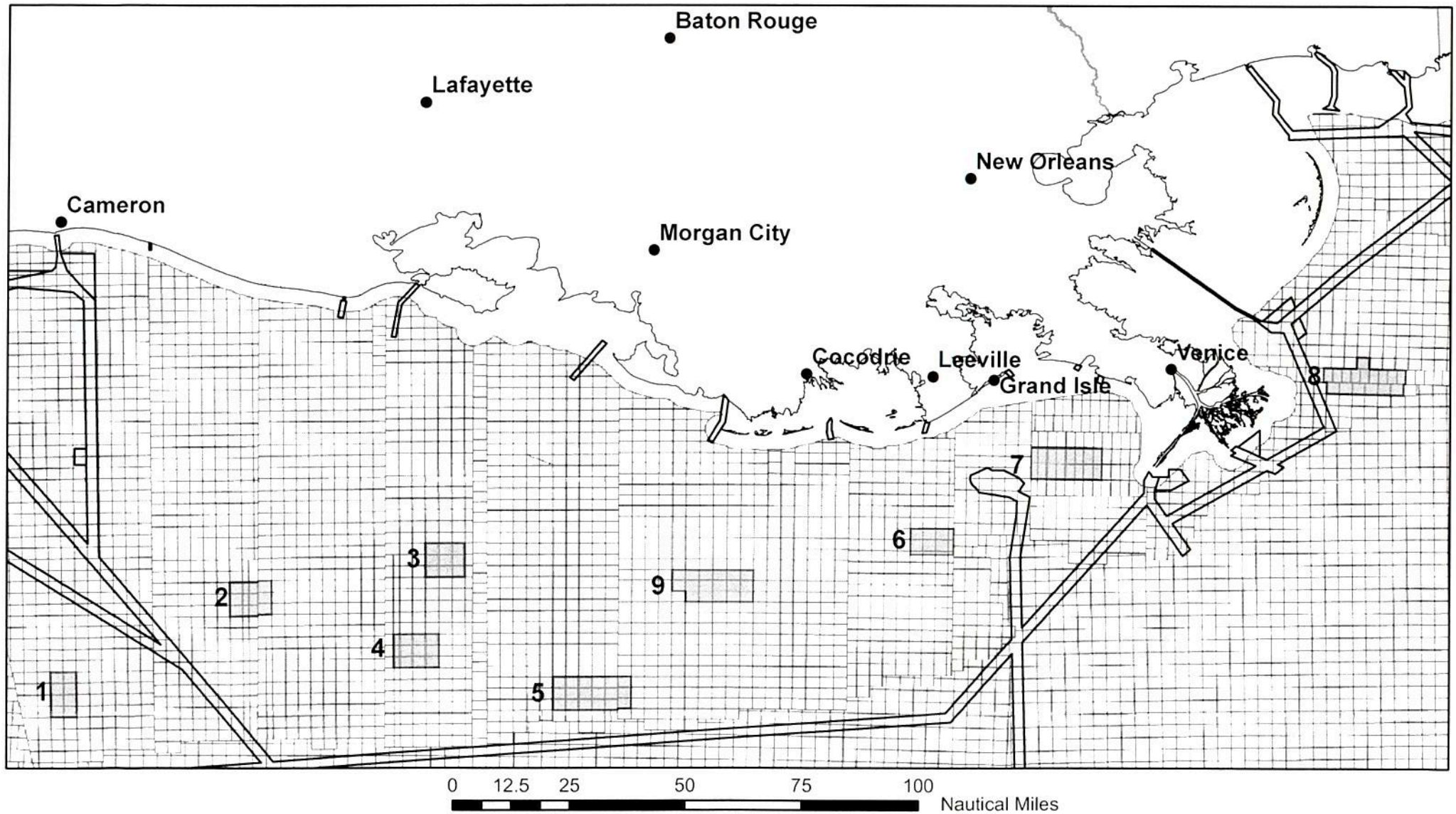
Any person may request, in writing, within the comment period specified in this notice, that a public hearing be held to consider this application. Requests for public hearings shall state, with particularity, the reasons for holding a public hearing.

You are requested to communicate the information contained in this notice to any other parties whom you deem likely to have interest in the matter.

Darrell S. Barbara
Chief, Western Evaluation Section
Regulatory Branch

Attachments

Louisiana Artificial Reef Planning Areas



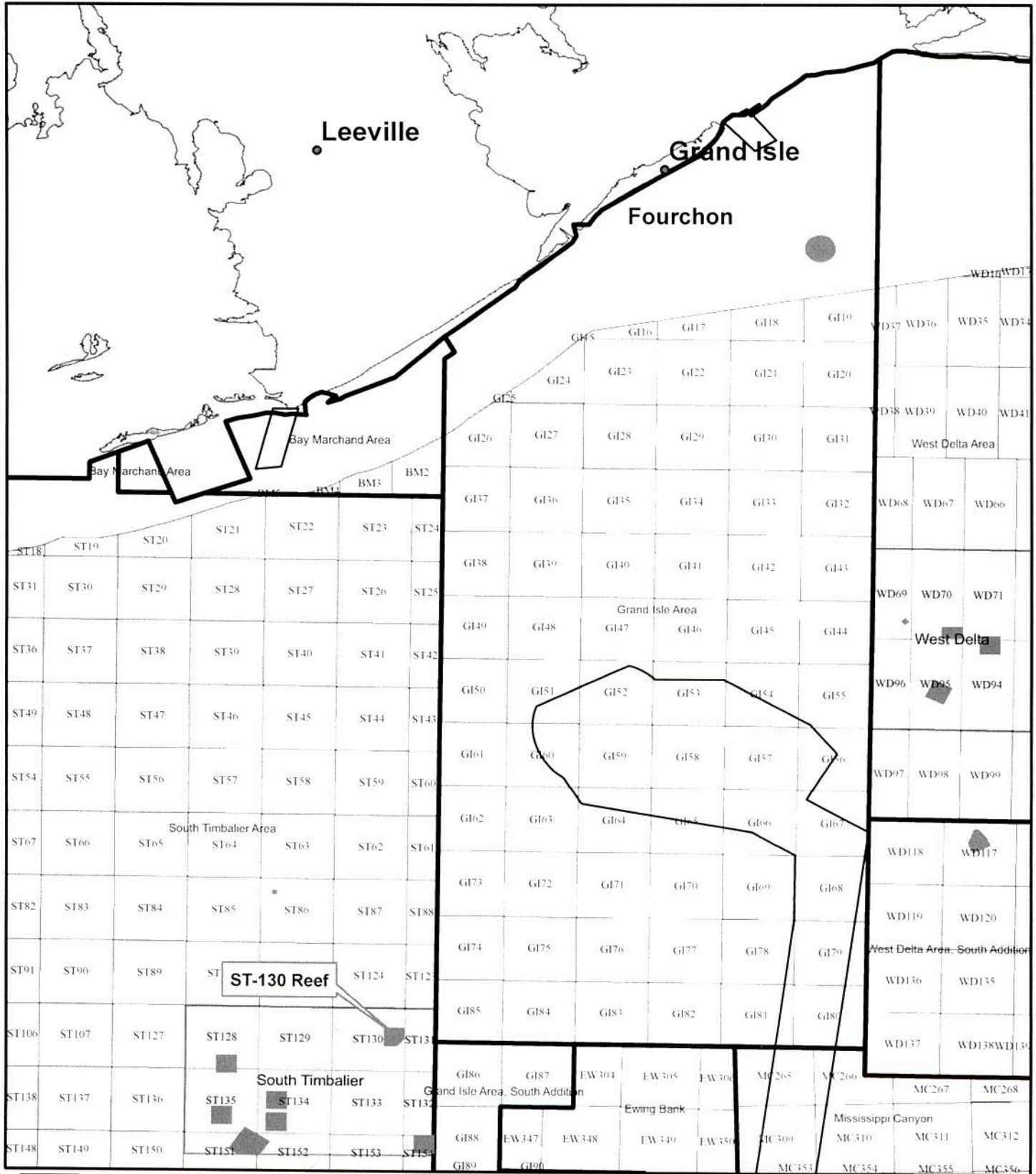
Planning Areas

-  Planning Areas
-  Fairways
-  OCS Blocks

- | | |
|---|----------------------------------|
| 1. West Cameron Planning Area | 6. South Timbalier Planning Area |
| 2. East Cameron Planning Area | 7. West Delta Planning Area |
| 3. South Marsh Island (76) Planning Area | 8. Main Pass Planning Area |
| 4. South Marsh Island (146) Planning Area | 9. Ship Shoal Planning Area |
| 5. Eugene Island Planning Area | |



Louisiana Artificial Reef Program

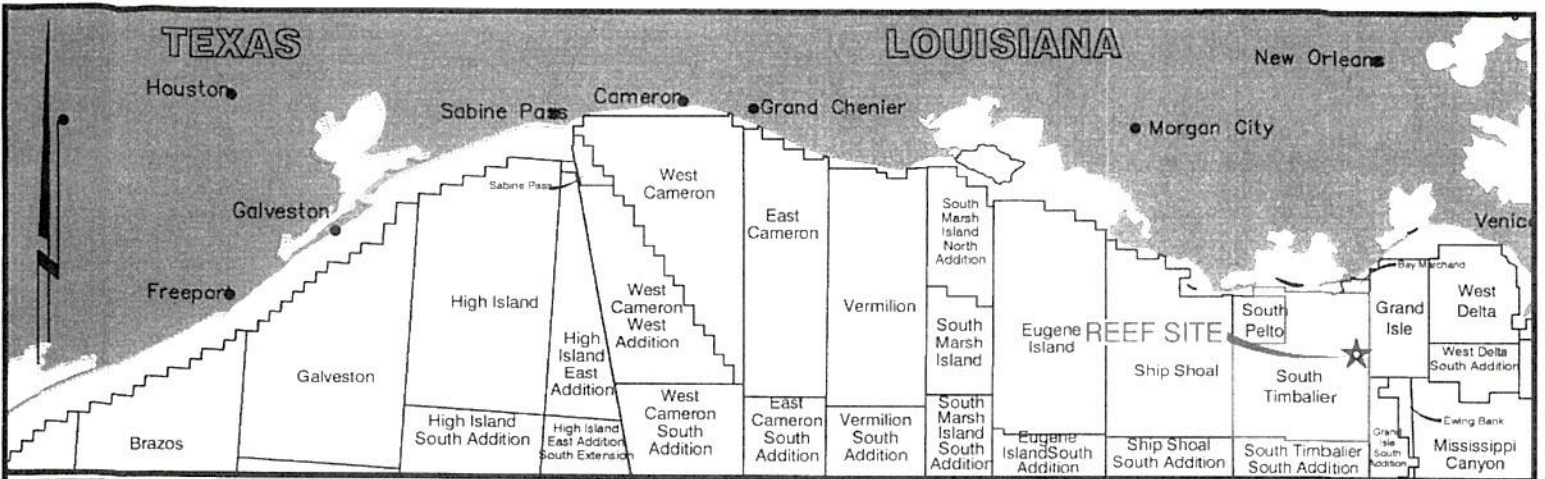


-  Planning Area
-  Permitted Reef Sites
-  Fairways
-  OCS Blocks

0 2.5 5 10 15 Nautical Miles

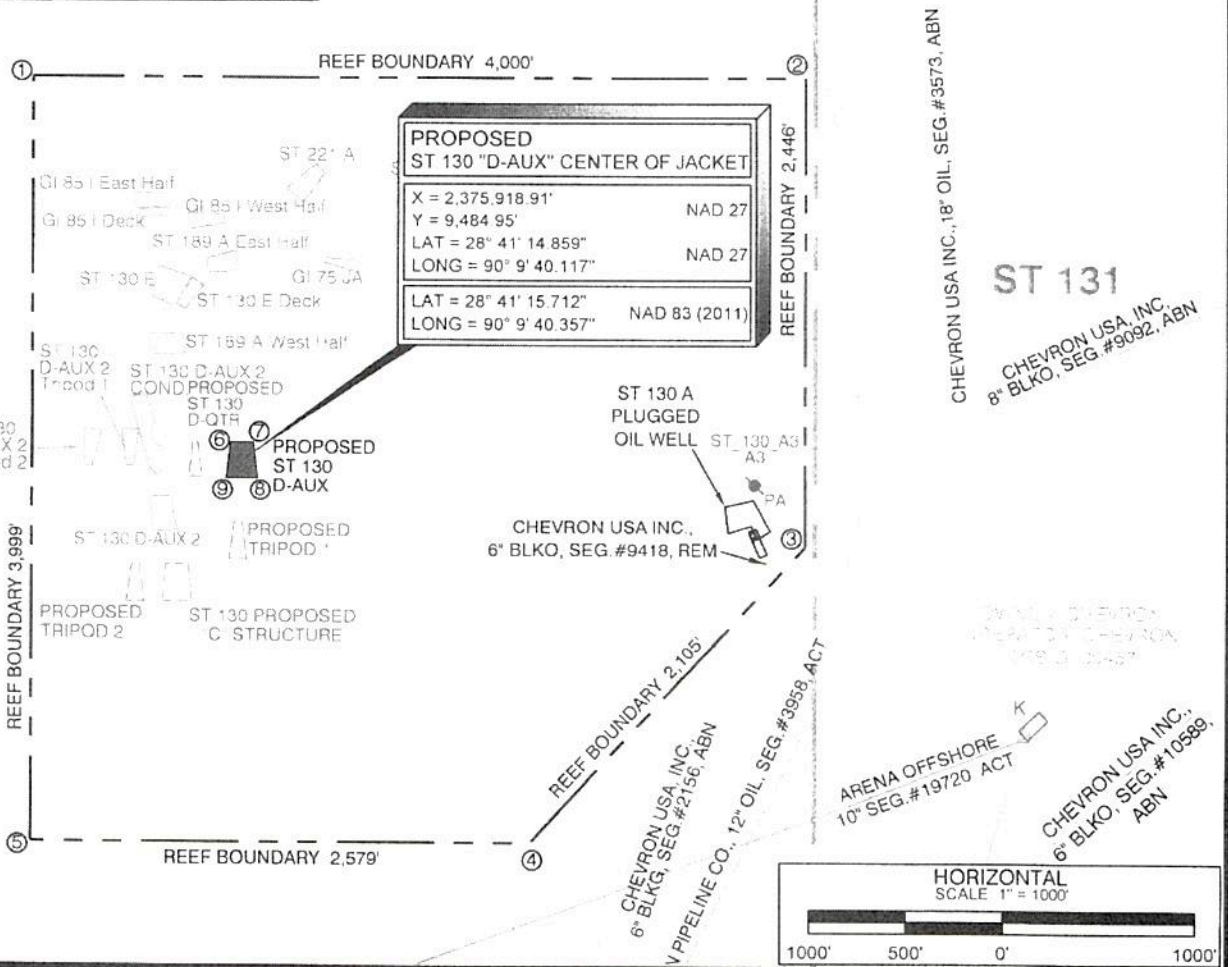
ST-130 Reef Vicinity Map





TIE	REEF BOUNDARY NAD27 COORDINATES			
	X	Y	LATITUDE	LONGITUDE
1	2,374,836.00'	11,489.00'	28° 41' 34.805"N	90° 09' 52.043"W
2	2,378,836.00'	11,489.00'	28° 41' 34.399"N	90° 09' 07.141"W
3	2,378,836.00'	9,043.00'	28° 41' 10.187"N	90° 09' 07.424"W
4	2,377,415.00'	7,490.00'	28° 40' 54.960"N	90° 09' 23.554"W
5	2,374,836.00'	7,490.00'	28° 40' 55.221"N	90° 09' 52.501"W

TIE	PROPOSED ST 130 "D-AUX" JACKET NAD27 COORDINATES			
	X	Y	LATITUDE	LONGITUDE
6	2,375,861.41'	9,577.20'	28° 41' 15.777"N	90° 09' 40.752"W
7	2,375,976.41'	9,577.20'	28° 41' 15.766"N	90° 09' 39.461"W
8	2,375,999.28'	9,392.70'	28° 41' 13.937"N	90° 09' 39.225"W
9	2,375,838.55'	9,392.70'	28° 41' 13.954"N	90° 09' 41.030"W



I certify that this plat represents the proposed reef site.

DAVID K. BURDEAUX, P.L.S.
STATE OF LOUISIANA, LICENSE NO. 4713

REGISTERED
3/12/2018

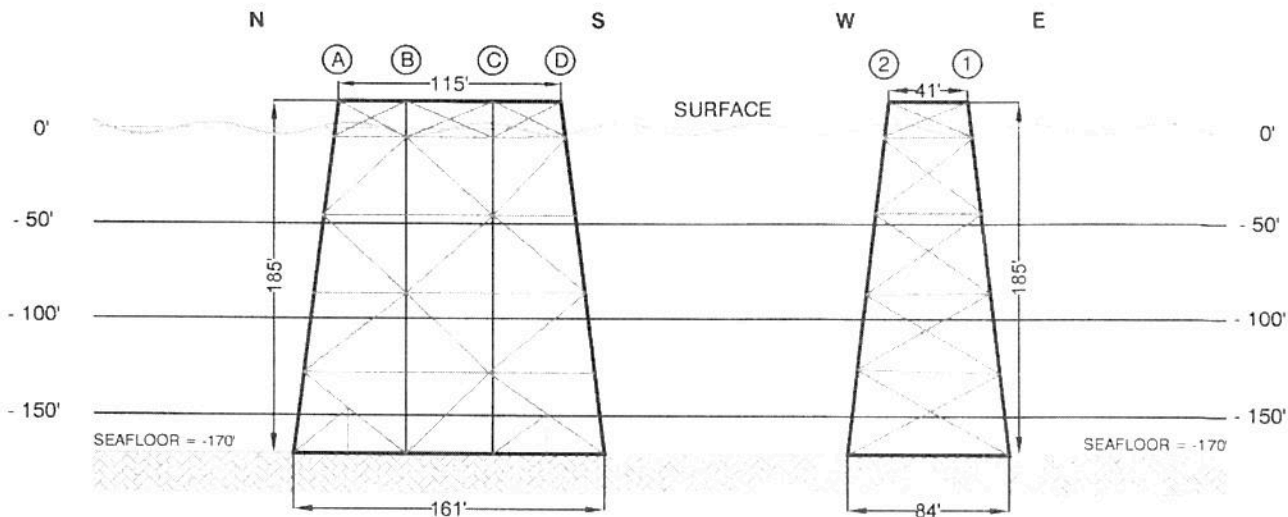
NOTES:
1. Coordinates are referenced to the Louisiana Coordinate system of 1927, South Zone. Units are in U. S Survey Feet.

ARENA
OFFSHORE, LP

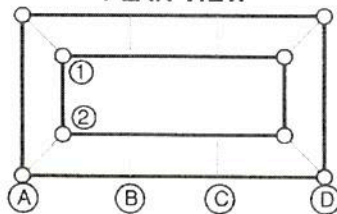
**SOUTH TIMBALIER "D-AUX" STRUCTURE
PROPOSED REEF POSITION
SOUTH TIMBALIER BLOCK 130
OFFSHORE LOUISIANA
GULF OF MEXICO**

TBS	T. BAKER SMITH	DRAWN BY: MAM
		CHECKED BY: DKB
		SHEET NO. 1 OF 2
		DATE: MARCH 6, 2018
		DRAWING NO 180138_ST130_D-AUX_REEF_R1

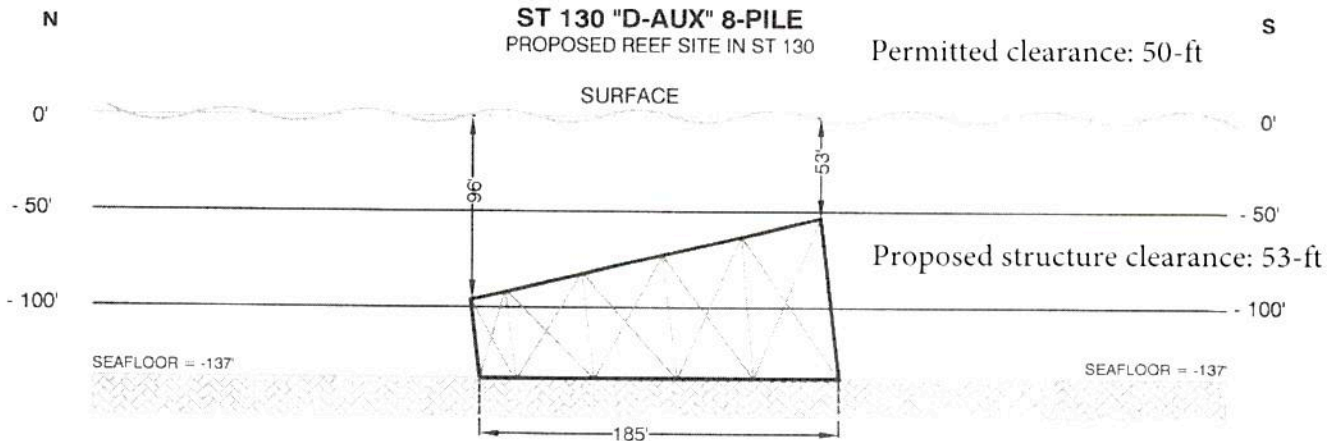
**ST 130 "D-AUX" 8-PILE
TO BE REEFED**



**ST 130 D-AUX - 8-PILE
PLAN VIEW**



**ST 130 "D-AUX" 8-PILE
PROPOSED REEF SITE IN ST 130**



HORIZONTAL
SCALE: 1" = 100'



VERTICAL
SCALE: 1" = 100'



I certify this plat represents the proposed reef site.

STATE OF LOUISIANA
DAVID K. BURDEAUX, P.L.S.
3/10/2018
STATE OF LOUISIANA, LICENSE NO. 4713

NOTES:

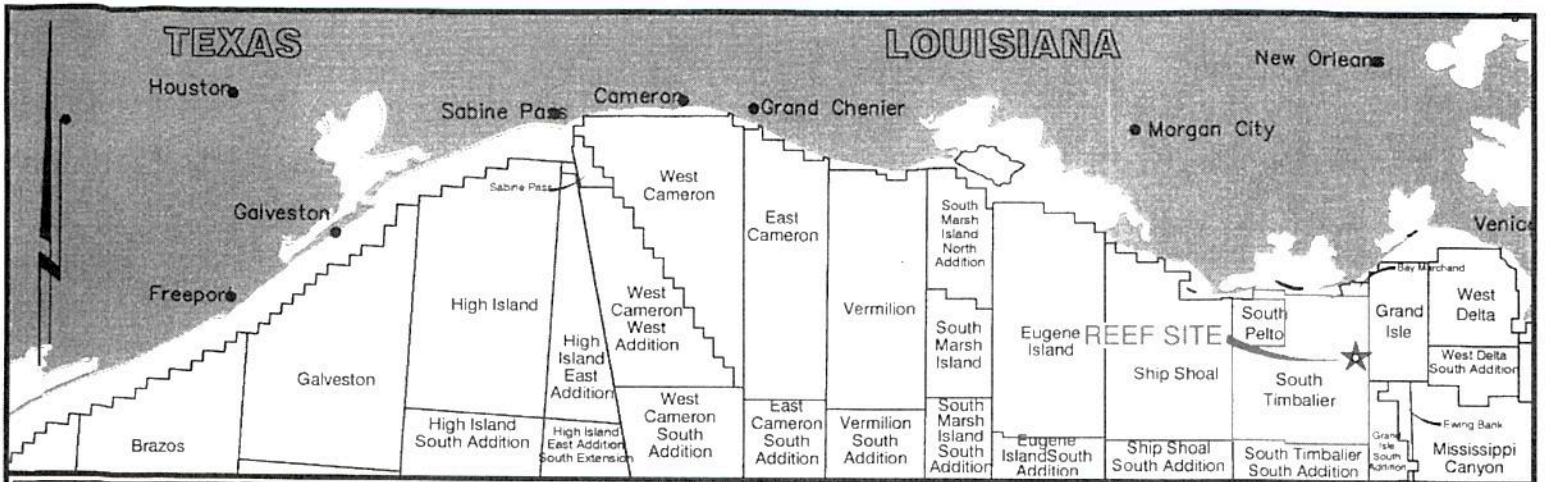
- Coordinates are referenced to the Louisiana Coordinate system of 1927, South Zone. Units are in U. S Survey Feet.
- Jacket depths indicated on this plat were obtained by construction drawings.
- Water depths at reef site are based on publicly available information & not field verified.

ARENA
OFFSHORE, LP

**SOUTH TIMBALIER "D-AUX" STRUCTURE
PROPOSED REEF POSITION
SOUTH TIMBALIER BLOCK 130
LOUISIANA OFFSHORE
GULF OF MEXICO**

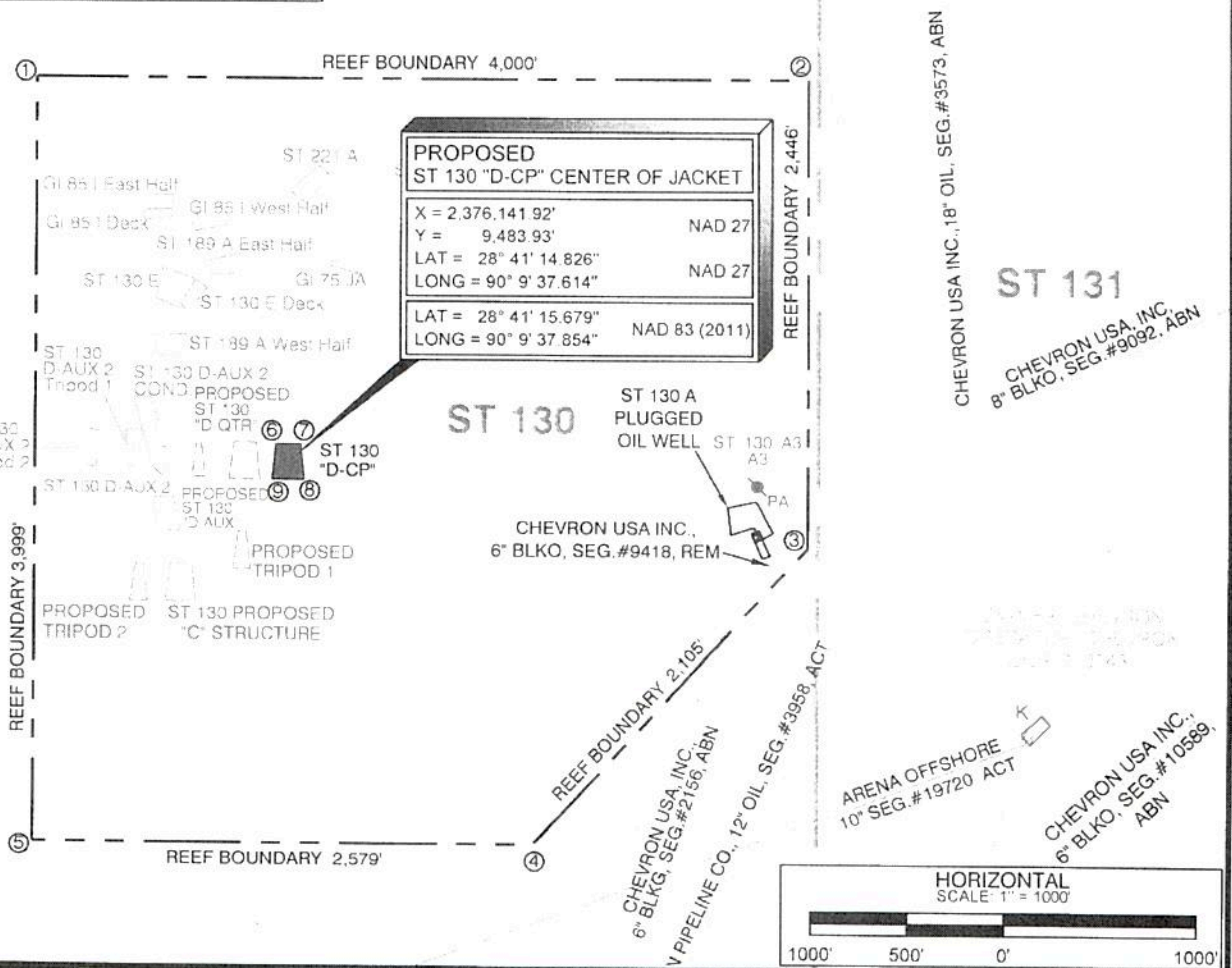
TBS T. BAKER SMITH

DRAWN BY: MAM
CHECKED BY: DKB
SHEET. NO. 2 OF 2
DATE: MARCH 6, 2018
DRAWING NO. 180138 ST130_D-AUX_REEF_R1



REEF BOUNDARY NAD27 COORDINATES				
TIE	X	Y	LATITUDE	LONGITUDE
1	2,374,836.00	11,489.00	28° 41' 34.805"N	90° 09' 52.043"W
2	2,378,836.00	11,489.00	28° 41' 34.399"N	90° 09' 07.141"W
3	2,378,836.00	9,043.00	28° 41' 10.187"N	90° 09' 07.424"W
4	2,377,415.00	7,490.00	28° 40' 54.960"N	90° 09' 23.554"W
5	2,374,836.00	7,490.00	28° 40' 55.221"N	90° 09' 52.501"W

PROPOSED ST 130 "D-CP" JACKET NAD27 COORDINATES				
TIE	X	Y	LATITUDE	LONGITUDE
6	2,376,078.67	9,576.68	28° 41' 15.750"N	90° 09' 38.313"W
7	2,376,205.17	9,576.68	28° 41' 15.738"N	90° 09' 36.893"W
8	2,376,224.69	9,391.18	28° 41' 13.899"N	90° 09' 36.695"W
9	2,376,059.15	9,391.18	28° 41' 13.916"N	90° 09' 38.553"W



I certify that this plat represents the proposed reef site.

DAVID K. BURDEAUX, P.L.S.
 STATE OF LOUISIANA, LICENSE NO. 4713

NOTES:

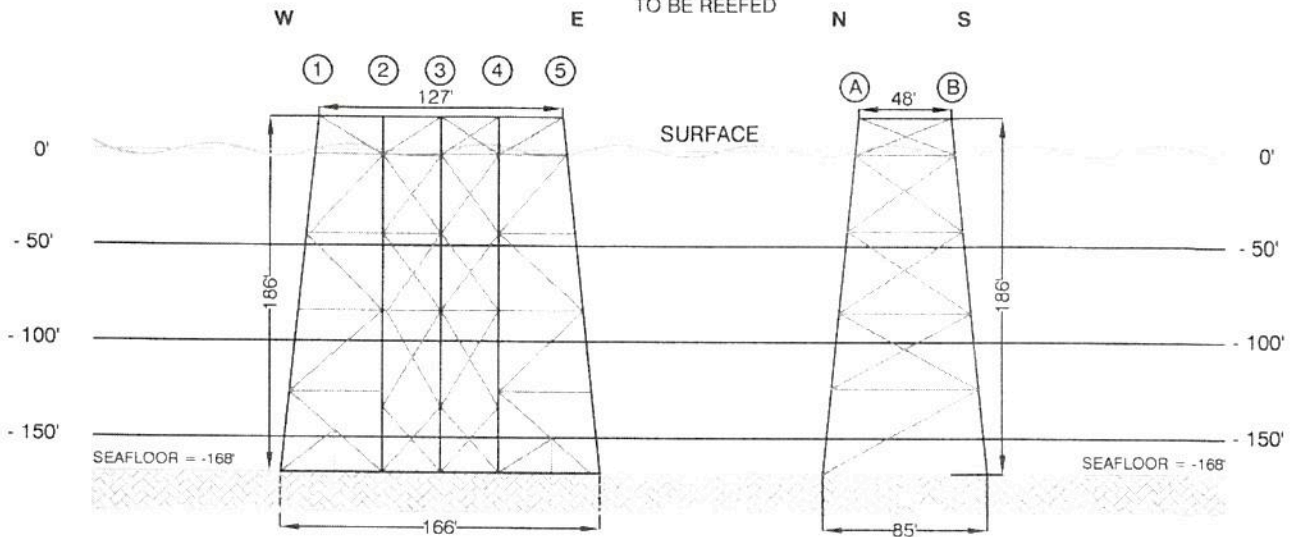
- Coordinates are referenced to the Louisiana Coordinate system of 1927, South Zone. Units are in U. S Survey Feet.

ARENA
OFFSHORE, LP

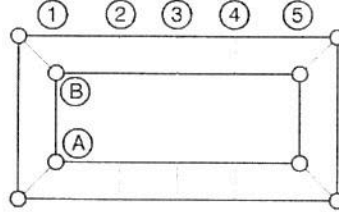
**SOUTH TIMBALIER "D-CP" STRUCTURE
PROPOSED REEF POSITION
SOUTH TIMBALIER BLOCK 130
OFFSHORE LOUISIANA
GULF OF MEXICO**

TBS T. BAKER SMITH	DRAWN BY: MAM
	CHECKED BY: DKB
	SHEET NO: 1 OF 2
	DATE: MARCH 6, 2018
DRAWING NO: 190130_51130_D-CP_REEF_R1	

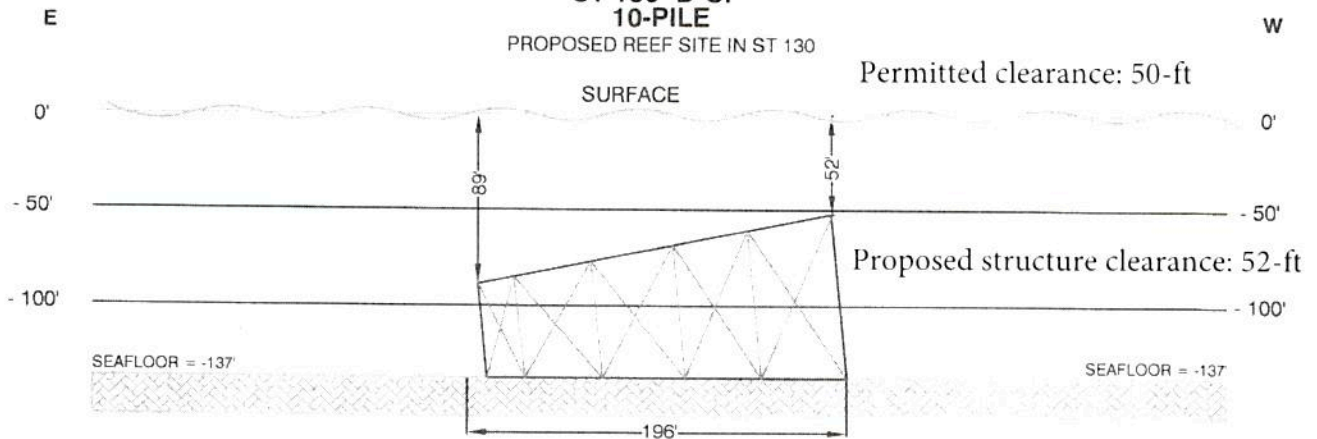
**ST 130 "D-CP"
10-PILE
TO BE REEFED**



**ST 130 "D-CP" 10-PILE
PLAN VIEW**



**ST 130 "D-CP"
10-PILE
PROPOSED REEF SITE IN ST 130**



HORIZONTAL
SCALE: 1" = 100'

VERTICAL
SCALE: 1" = 100'

100' 50' 0' 100'

100' 50' 0' 100'

I certify this plat represents the proposed reef site.

NOTES:

1. Coordinates are referenced to the Louisiana Coordinate system of 1927, South Zone. Units are in U. S Survey Feet.
2. Jacket depths indicated on this plat were obtained by construction drawings.
3. Water depths at reef site are based on publically available information & not field verified.

ARENA
OFFSHORE, LP

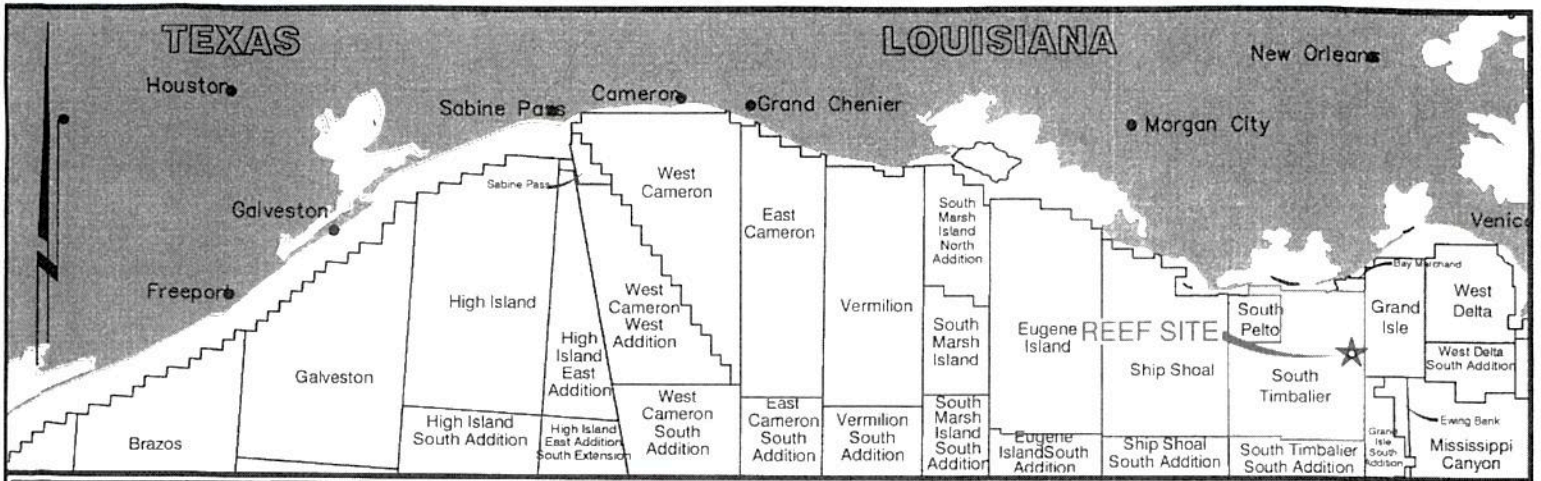
**SOUTH TIMBALIER "D-CP" STRUCTURE
PROPOSED REEF POSITION
SOUTH TIMBALIER BLOCK 130
LOUISIANA OFFSHORE
GULF OF MEXICO**

TBS

T. BAKER SMITH

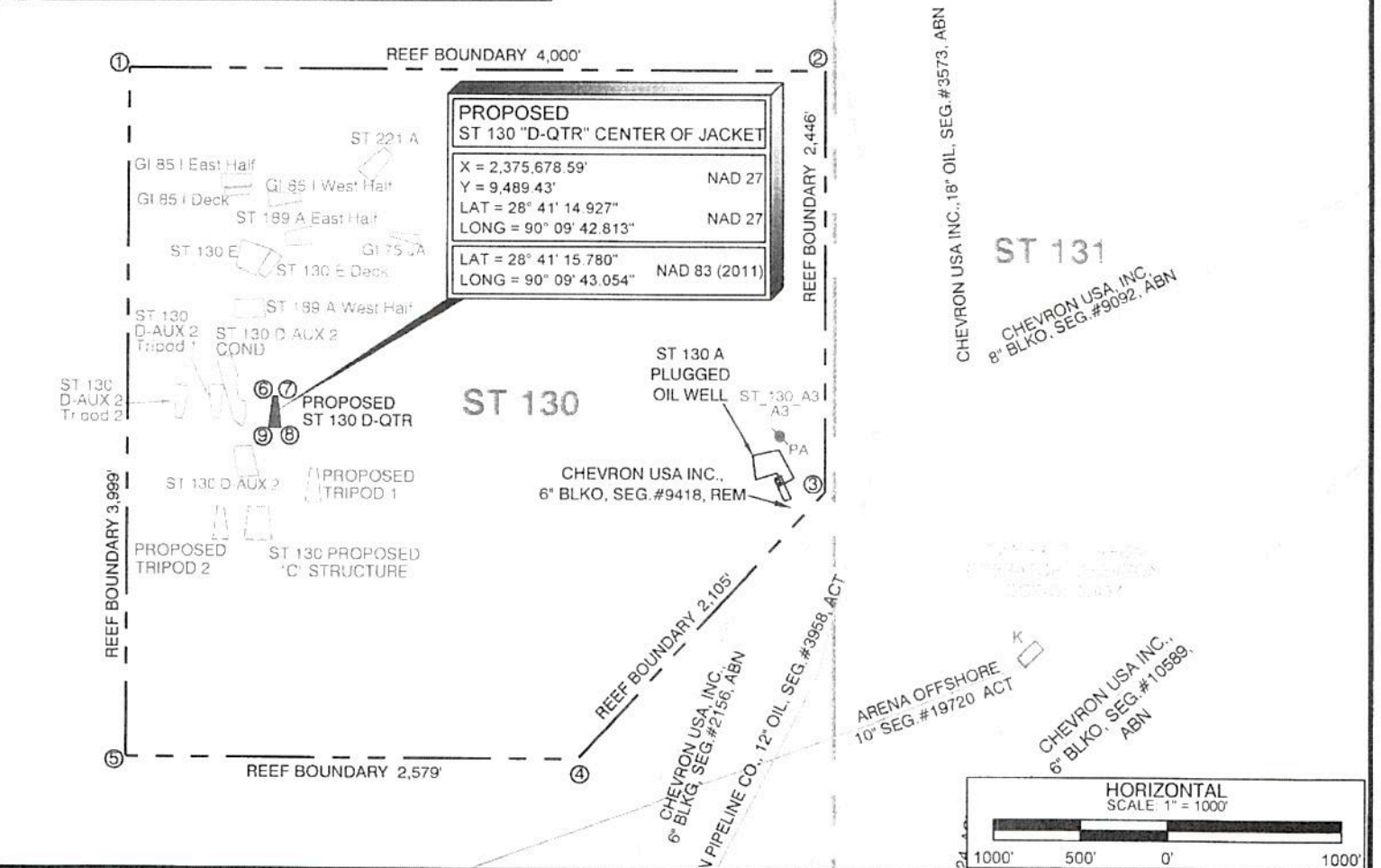
DRAWN BY: MAM
CHECKED BY: DKB
SHEET: NO. 2 OF 2
DATE: MARCH 6, 2018
DRAWING NO. 180139_57130_D-CP_REEF_R1

DAVID K. BURDEAUX, P.L.S.
STATE OF LOUISIANA, LICENSE NO. 4713



REEF BOUNDARY NAD27 COORDINATES				
TIE	X	Y	LATITUDE	LONGITUDE
1	2,374,836.00'	11,489.00'	28° 41' 34.805"N	90° 09' 52.043"W
2	2,378,836.00'	11,489.00'	28° 41' 34.399"N	90° 09' 07.141"W
3	2,378,836.00'	9,043.00'	28° 41' 10.187"N	90° 09' 07.424"W
4	2,377,415.00'	7,490.00'	28° 40' 54.960"N	90° 09' 23.554"W
5	2,374,836.00'	7,490.00'	28° 40' 55.221"N	90° 09' 52.501"W

PROPOSED ST 130 "D-QTR" JACKET NAD27 COORDINATES				
TIE	X	Y	LATITUDE	LONGITUDE
6	2,375,666.09'	9,580.39'	28° 41' 15.829"N	90° 09' 42.944"W
7	2,375,691.09'	9,580.39'	28° 41' 15.826"N	90° 09' 42.663"W
8	2,375,712.51'	9,398.48'	28° 41' 14.023"N	90° 09' 42.444"W
9	2,375,644.67'	9,398.48'	28° 41' 14.030"N	90° 09' 43.205"W



I certify that this plat represents the proposed reef site.

3/13/2018

DAVID K. BURDEAUX, P.L.S.
STATE OF LOUISIANA, LICENSE NO. 4713

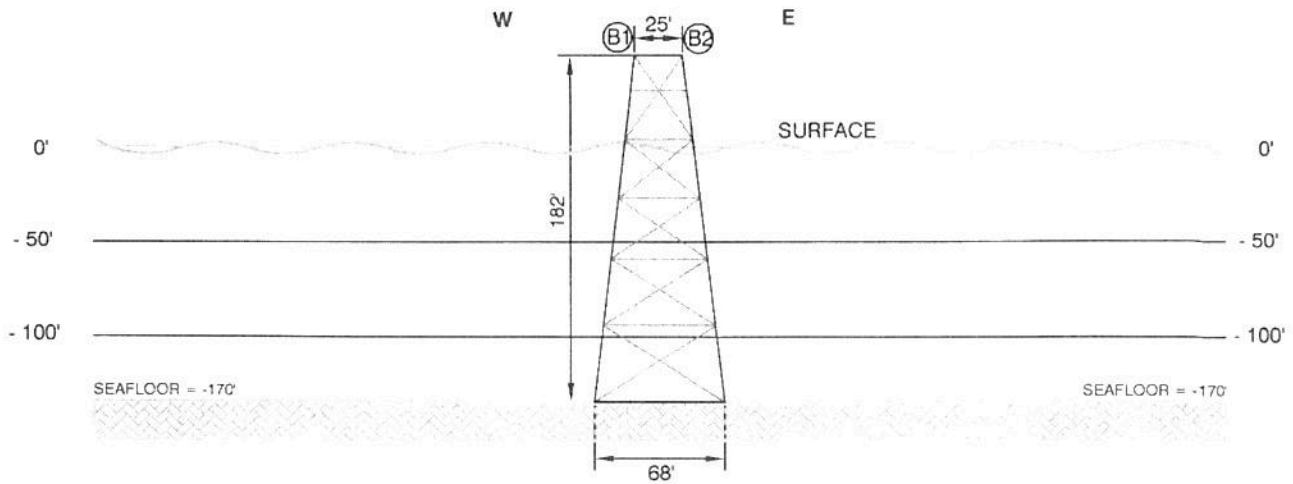
NOTES:
1. Coordinates are referenced to the Louisiana Coordinate system of 1927, South Zone. Units are in U. S Survey Feet.

ARENA
OFFSHORE, LP

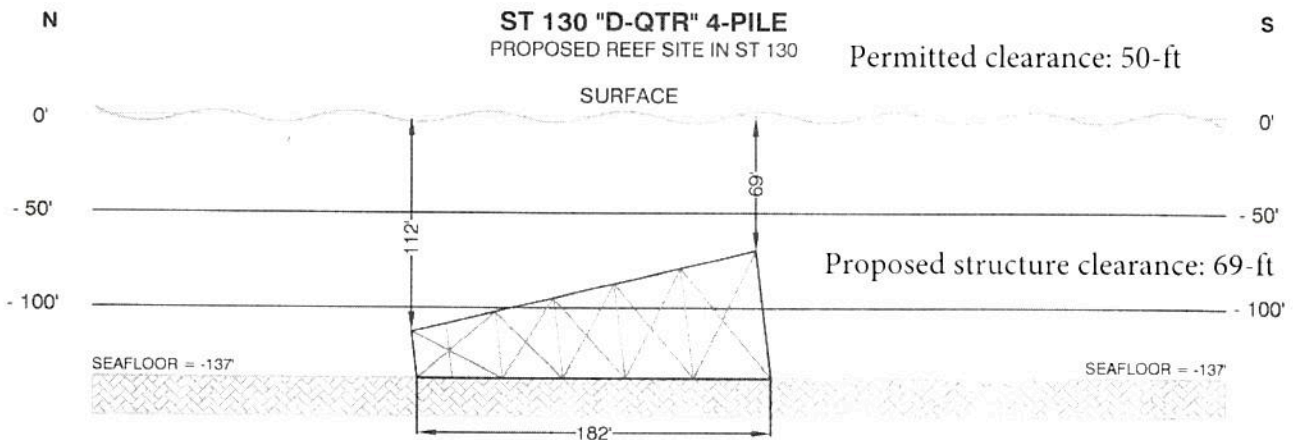
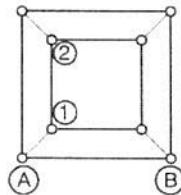
**SOUTH TIMBALIER "D-QTR" STRUCTURE
PROPOSED REEF POSITION
SOUTH TIMBALIER BLOCK 130
OFFSHORE LOUISIANA
GULF OF MEXICO**

	T. BAKER SMITH
	DRAWN BY: MAM
	CHECKED BY: DKB
	SHEET NO: 1 OF 2
	DATE: MARCH 6, 2018
DRAWING NO: 140137_ST130_D-QTR_REF_R1	

**ST 130 "D-QTR" 4-PILE
TO BE REEFED**



**ST 130 D-QTR 4-PILE
PLAN VIEW**



HORIZONTAL
SCALE: 1" = 100'

VERTICAL
SCALE: 1" = 100'

100' 50' 0' 100'

100' 50' 0' 100'

I certify this plat represents the proposed reef site.



DAVID K. BURDEAUX, P.L.S.
STATE OF LOUISIANA, LICENSE NO. 4713

NOTES:

1. Coordinates are referenced to the Louisiana Coordinate system of 1927, South Zone. Units are in U. S Survey Feet.
2. Jacket depths indicated on this plat were obtained by construction drawings.
3. Water depths at reef site are based on publically available information & not field verified.

ARENA
OFFSHORE, LP

**SOUTH TIMBALIER "D-QTR" STRUCTURE
PROPOSED REEF POSITION
SOUTH TIMBALIER BLOCK 130
LOUISIANA OFFSHORE
GULF OF MEXICO**

TBS

T. BAKER SMITH

DRAWN BY: MAM
CHECKED BY: DKB
SHEET: NO. 2 OF 2
DATE: MARCH 6, 2018
DRAWING NO. 180137_ST130_D-QTR_REEF_R1