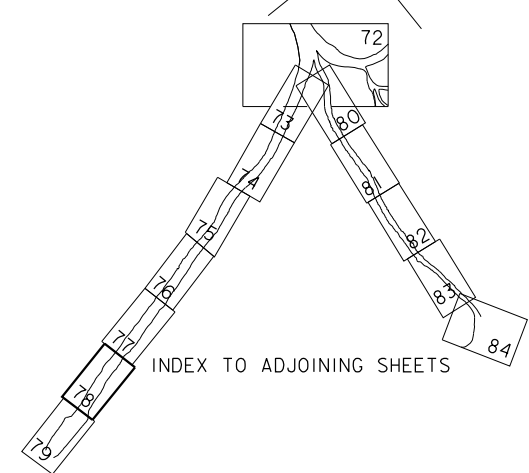
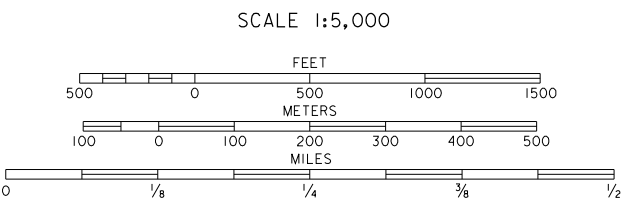


All elevations are expressed in feet and refer to National Geodetic Vertical Datum of 1929.
 Contours below -20 ft. contour are expressed in feet at 10 ft. intervals.
 Planimetry from aerial photographs from January 1992.
 ● Distances on Southwest Pass below Head of Passes are shown at 1 mile intervals, 1962 survey.
 Polyconic Projection, North American Datum 183 is displayed.
 Lambert Conformal Conic Projection (83) was used to compile the maps.



MISSISSIPPI RIVER
HYDROGRAPHIC SURVEY 1991-1992
 BLACK HAWK, LA. TO HEAD OF PASSES, LA.
 ALSO SOUTH AND SOUTHWEST PASSES
 AND PASS A LOUTRE
 IN 86 SHEETS
 U.S. ARMY ENGINEER DISTRICT, NEW ORLEANS,
 CORPS OF ENGINEERS