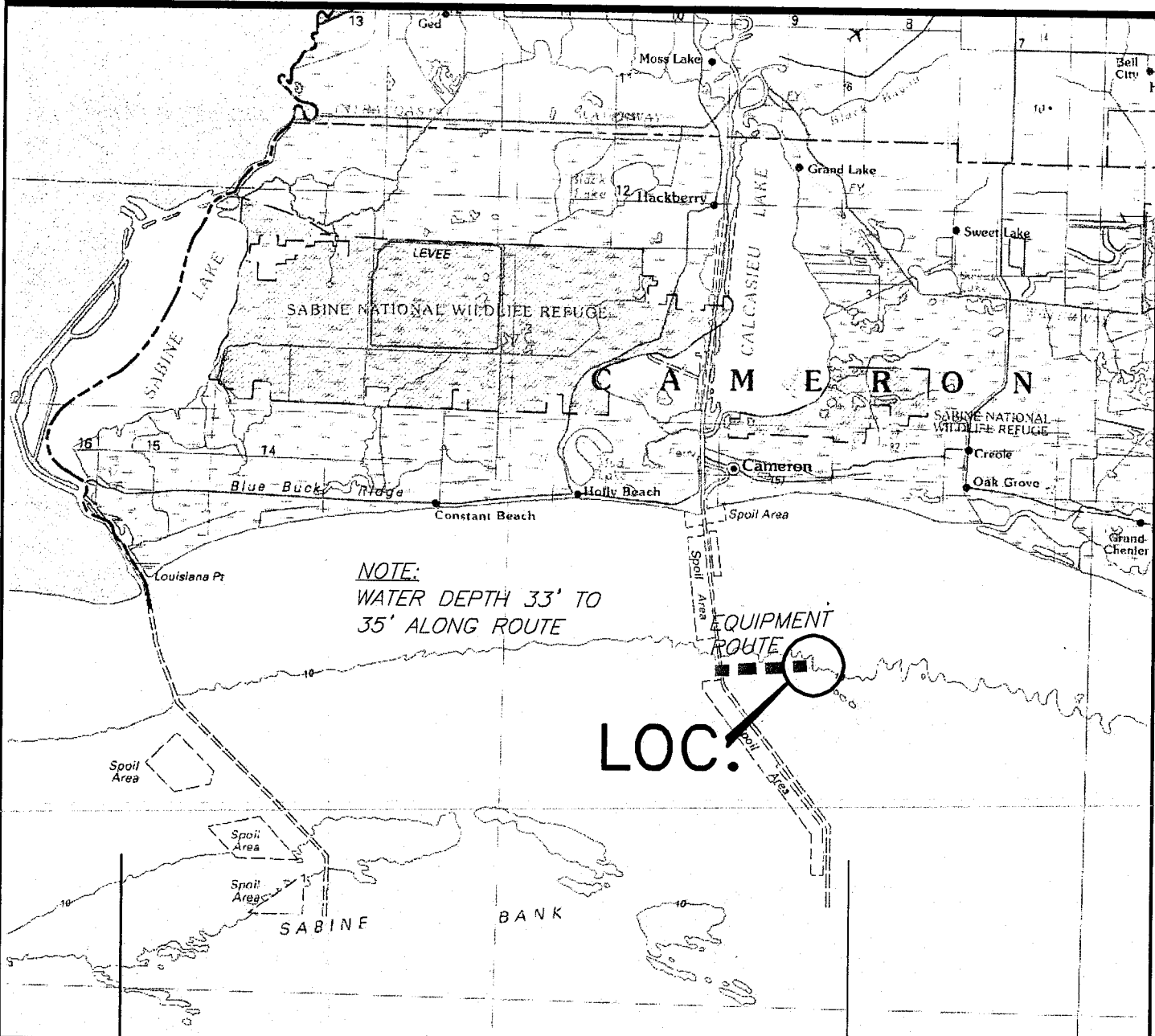


APPROXIMATELY 12.4 MILES SOUTH SOUTHEAST FROM CAMERON, LA



CENTURY EXPLORATION N.O., INC.
OCS-G32101
WELL 'A' LOCATION
 LOCATED IN
BLOCK 64
WEST CAMERON AREA
GULF OF MEXICO
U.S. FEDERAL OFFSHORE WATERS
 SCALE: 1" = 8 MILES NOVEMBER 12, 2009



APPLICATION BY:
 CENTURY EXPLORATION N.O., INC.
 3 LAKEWAY CENTER, SUITE 2800
 3838 N. CAUSEWAY BLVD.
 METAIRIE, LA. 70002

ERIC G. RYALS, INC.
 P.O. BOX 1258
 MANDEVILLE, LA 70470

38

Y = 364,274.144 BLOCK 37

36

MMS HANG

1 6

MMS HANG

MMS HANG

MMS HANG

1583
24 INCH PIPE
6993
OBSTRUCTION
6989
OBJECT
24 INCH PIPE

G33042

BLOCK 63

INDICATES
TEXAS A&M HANG DATA

2639
2637

PROPOSED OCS-G32101
WELL 'A' LOCATION (SURFACE)
X = 1,395,840
Y = 356,200
LAT. = 29° 37' 56.661" N
LONG. = 93° 14' 06.216" W

ANCHORAGE AREA

2

G02825

BLOCK 65

X = 1,391,451.712

BLOCK 64

OCS-G32101

WEST CAMERON AREA

X = 1,406,209.760

74

BLOCK 73

G23736

72

Y = 349,516.096

NOTE: ADDITIONAL PIPELINES MAY EXIST.
ALL COORDINATES AND BEARINGS ARE GRID, AND ARE ON THE LOUISIANA LAMBERT PLANE COORDINATE SYSTEM, SOUTH ZONE, 1927 NORTH AMERICAN DATUM.

CENTURY EXPLORATION N.O., INC.

OCS-G32101
WELL 'A' LOCATION

LOCATED IN
BLOCK 64
WEST CAMERON AREA
GULF OF MEXICO

U.S. FEDERAL OFFSHORE WATERS

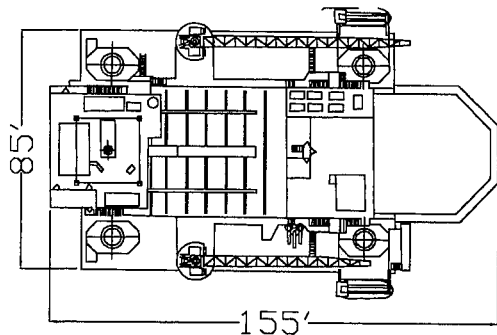
SCALE: 1" = 2000' NOVEMBER 12, 2009



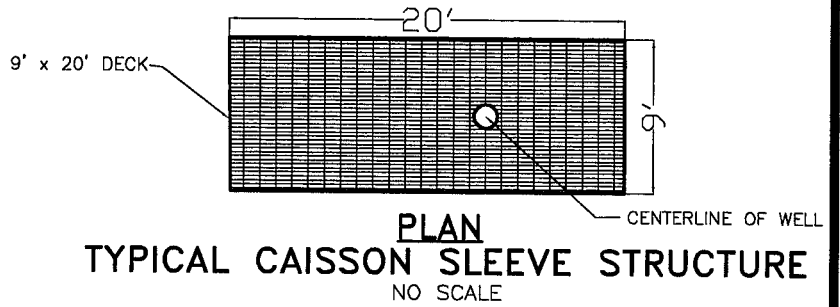
APPLICATION BY:

CENTURY EXPLORATION N.O., INC.
3 LAKEWAY CENTER, SUITE 2800
3838 N. CAUSEWAY BLVD.
METAIRIE, LA. 70002

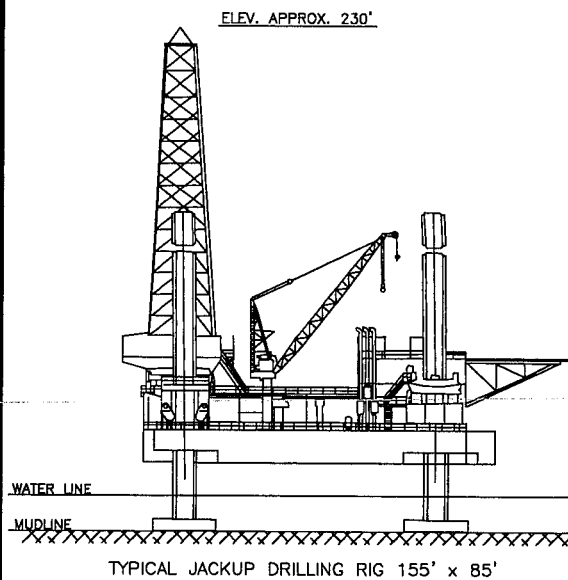
ERIC G. RYALS, INC.
P.O. BOX 1258
MANDVILLE, LA 70470



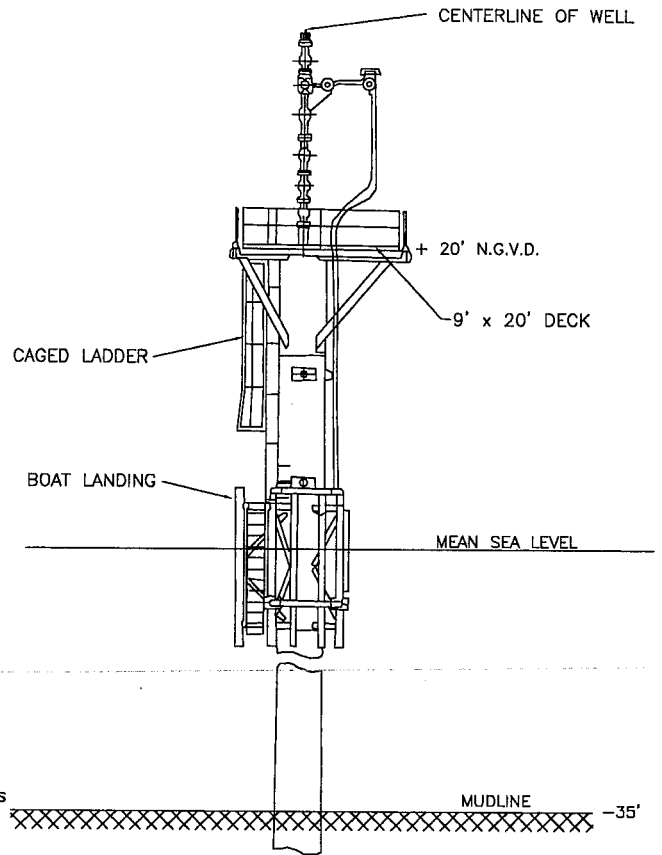
PLAN
TYPICAL JACKUP DRILLING RIG
NO SCALE



PLAN
TYPICAL CAISSON SLEEVE STRUCTURE
NO SCALE



ELEVATION
TYPICAL JACKUP DRILLING RIG
NO SCALE



ELEVATION
TYPICAL CAISSON SLEEVE STRUCTURE

CENTURY EXPLORATION N.O., INC.

OCS-G32101

WELL 'A' LOCATION

LOCATED IN

BLOCK 64

WEST CAMERON AREA

GULF OF MEXICO

U.S. FEDERAL OFFSHORE WATERS

SCALE: AS SHOWN NOVEMBER 12, 2009

APPLICATION BY:

CENTURY EXPLORATION N.O., INC.
3 LAKEWAY CENTER, SUITE 2800
3838 N. CAUSEWAY BLVD.
METAIRIE, LA. 70002

NOTES:

1. NO DREDGING IS REQUIRED.
2. ALL OIL AND GAS PLATFORMS AND APPURTENANT STRUCTURES SHALL BE MARKED/LIGHTED IN ACCORDANCE WITH U.S. COAST GUARD REGULATIONS.
3. EQUIPMENT ROUTE IN U.S. FEDERAL OFFSHORE WATERS ONLY.

CENTURY EXPLORATION N.O., INC.
OCS-G32101

WELL 'A' LOCATION

LOCATED IN

BLOCK 64

WEST CAMERON AREA

GULF OF MEXICO

U.S. FEDERAL OFFSHORE WATERS

SCALE: NONE NOVEMBER 12, 2009

APPLICATION BY:

CENTURY EXPLORATION N.O., INC.
3 LAKEWAY CENTER, SUITE 2800
3838 N. CAUSEWAY BLVD.
METAIRIE, LA. 70002

SHEET 4

ERIC G. RYALS, INC.
P.O. BOX 1258
MANDVILLE, LA 70470