

JOINT PUBLIC NOTICE

September 16, 2013

United States Army
Corps of Engineers
New Orleans District
Regulatory Branch
Post Office Box 60267
New Orleans, La. 70160-0267

State of Louisiana
Department of Environmental Quality
Post Office Box 4313
Baton Rouge, La. 70821-4313
Attn: Water Quality Certifications

(504) 862-2548/ FAX (504) 862-2574
Project Manager
Johnny Duplantis
Permit Application Number
MVN-2013-01890-WPP

(225) 219-3225/FAX (225) 325-8250
Project Manager
Jamie Phillippe
WQC Application Number
WQC # 130912-01

Interested parties are hereby notified that a permit application has been received by the New Orleans District of the U.S. Army Corps of Engineers pursuant to: [X] Section 10 of the Rivers and Harbors Act of March 3, 1899 (30 Stat. 1151; 33 USC 403); and/or [X] Section 404 of the Clean Water Act (86 Stat. 816; 33 USC 1344).

Application has also been made to the Louisiana Department of Environmental Quality, for a Water Quality Certification (WQC) in accordance with statutory authority contained in Louisiana Revised Statutes of 1950, Title 30, Chapter 11, Part IV, Section 2074 A(3) and provisions of Section 401 of the Clean Water Act (P.L.95-17).

FRONT RIDGE CHENIER TERRACING PROJECT IN VERMILION PARISH

NAME OF APPLICANT: Coastal Protection and Restoration Authority, Post Office Box 44027, Capital Station, Baton Rouge, Louisiana, 70804..

DESCRIPTION: Construct approximately 40,000 linear feet of earthen terraces that would impact approximately 44 acres of unvegetated waterbottoms. The proposed terraces would be constructed to reduce the wave fetch and energy in the open water area, which would reduce the erosion on the shoreline north of the project area, on the south side of Front Ridge Road.

LOCATION: Located at Latitude 29.63222, Longitude -92.43083, Sections 11, 12, 13, and 14, Township 16 South, Range 1 East, near Pecan Island, Louisiana, in Vermilion Parish. The Project is located within the Vermilion Watershed, Hydrologic Unit 08080103.

The comment period for the Department of the Army Permit and the Louisiana Department of Environmental Quality WQC will close **20 days** from the date of this joint public notice. Written comments, including suggestions for modifications or objections to the proposed work, stating reasons thereof, are being solicited from anyone having interest in this permit and/or this WQC request and must be mailed so as to be received before or by the last day of the comment period. Letters concerning the Corps of Engineers permit application must reference the applicant's name and the Permit Application Number, and be mailed to the Corps of Engineers at the address above, **ATTENTION: REGULATORY BRANCH**. Similar letters concerning the Water Quality Certification must reference the applicant's name and the WQC Application number and be mailed to the Louisiana Department of Environmental Quality at the address above.

The application for this proposed project is on file with the Louisiana Department of Environmental Quality and may be examined during weekdays between 8:00 a.m. and 5:00 p.m. Copies may be obtained upon payment of costs of reproduction.

Corps of Engineers Permit Criteria

The decision whether to issue a permit will be based on an evaluation of the probable impacts, including cumulative impacts of the proposed activity on the public interest. That decision will reflect the national concern for both protection and utilization of important resources. The benefit which reasonably may be expected to accrue from the proposal must be balanced against its reasonably foreseeable detriments. All factors which may be relevant to the proposal will be considered including the cumulative effects thereof; among those are conservation, economics, aesthetics, general environmental concerns, wetlands, historic properties, fish and wildlife values, flood hazards, floodplain values, land use, navigation, shoreline erosion and accretion, recreation, water supply and conservation, water quality, energy needs, safety, food and fiber production, mineral needs, considerations of property ownership and, in general, the needs and welfare of the people.

The U.S. Army Corps of Engineers is soliciting comments from the public, federal, state, and local agencies and officials, Indian Tribes, and other interested parties in order to consider and evaluate the impacts of this proposed activity. Any comments received will be considered by the U.S. Army Corps of Engineers to determine whether to make, modify, condition, or deny a permit for this proposal. To make this decision, comments are used to assess impacts on endangered species, historic properties, water quality, general environmental effects, and other public interest factors listed above. Comments are used in the preparation of an Environmental Assessment and/or an Environmental Impact Statement pursuant to the National Environmental Policy Act. Comments are also used to determine the need for a public hearing and to determine the overall public interest of the proposed activity.

No properties listed on the National Register of Historic Places are near the proposed work. The possibility exists that the proposed work may damage or destroy presently unknown archeological, scientific, prehistorical, historical sites, or data. Copies of this notice are being sent to the State Archeologist and the State Historic Preservation Officer.

Our initial finding is that the proposed work would neither affect any species listed as endangered by the U.S. Departments of Interior or Commerce, nor affect any habitat designated as critical to the survival and recovery of any endangered species.

This notice initiates the Essential Fish Habitat (EFH) consultation requirements of the Magnuson-Stevens Fishery Conservation and Management Act. The applicant's proposal would result in the destruction or alteration of 44 acre(s) of EFH utilized by various life stages of red drum and penaeid shrimp. Our initial determination is that the proposed action would not have a substantial adverse impact on EFH or federally managed fisheries in the Gulf of Mexico. Our final determination relative to project impacts and the need for mitigation measures is subject to review by and coordination with the National Marine Fisheries Service.

If the proposed work involves deposits of dredged or fill material into navigable waters, the evaluation of the probable impacts will include the application of guidelines established by the Administrator of the Environmental Protection Agency. Also, a certification that the proposed activity will not violate applicable water quality standards will be required from the Department of

Environmental Quality, Office of Water Resources before a permit is issued.

Any person may request, in writing, within the comment period specified in this notice, that a public hearing be held to consider this application. Requests for public hearings shall state, with particularity, the reasons for holding a public hearing.

You are requested to communicate the information contained in this notice to any other parties whom you deem likely to have interest in the matter.

The applicant has certified that the proposed activity described in the application complies with and will be conducted in a manner that is consistent with the Louisiana Coastal Resources Program. The Department of the Army permit will not be issued unless the applicant received approval or a waiver of the Coastal Use Permit by the Department of Natural Resources.

Darrell S. Barbara
Chief, Western Evaluation Section
Regulatory Branch

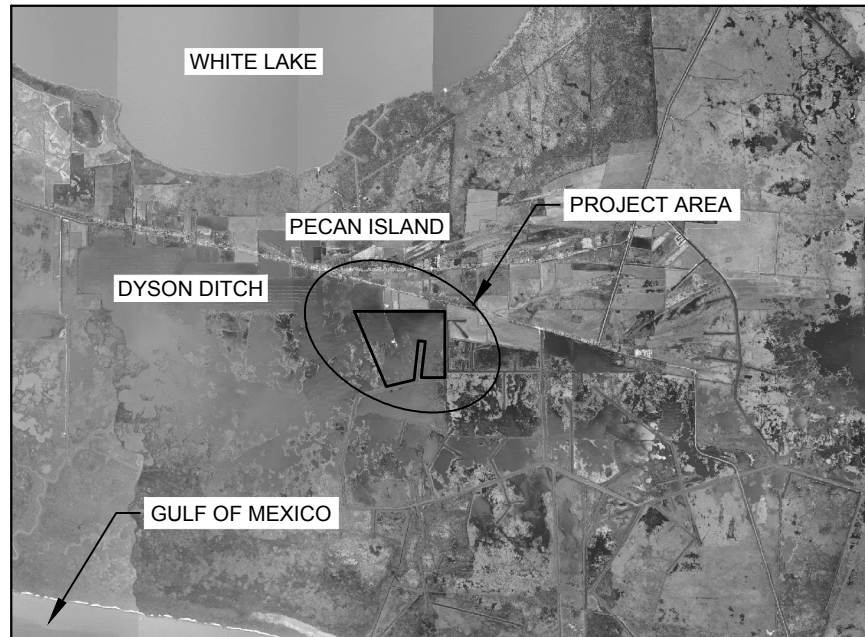
Attachments

INDEX TO SHEETS

<u>SHEET NO.</u>	<u>DESCRIPTION</u>
1	TITLE SHEET
2	EARTHEN TERRACE LAYOUT
3	TYPICAL EARTHEN TERRACE SECTIONS



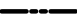
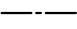

STATE OF LOUISIANA
 COASTAL PROTECTION AND RESTORATION AUTHORITY

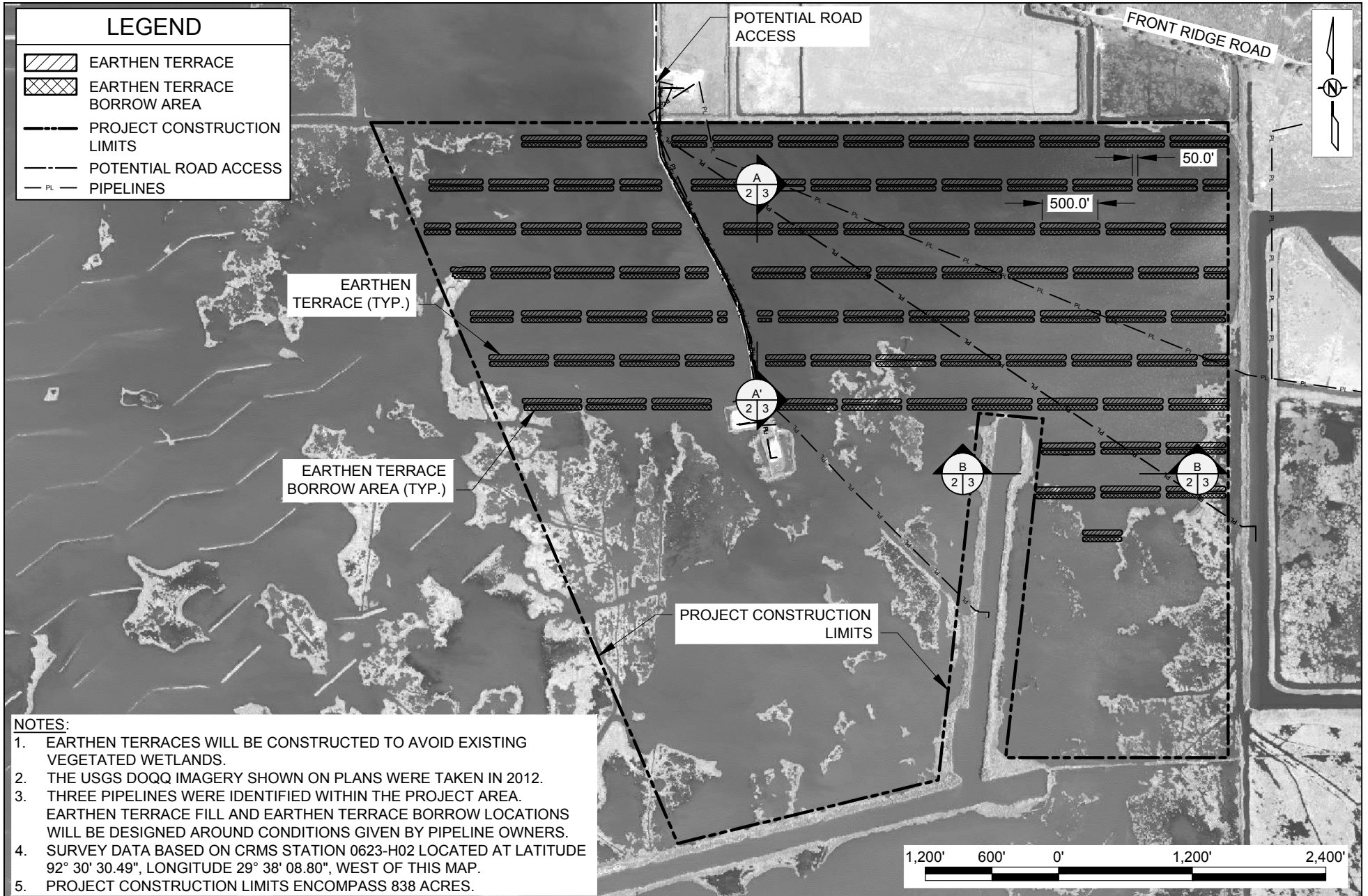
**FRONT RIDGE CHENIER
 TERRACING PROJECT**
 TV-60
 VERMILION PARISH



APPLICATION BY: COASTAL PROTECTION & RESTORATION AUTHORITY 450 LAUREL STREET BATON ROUGE, LA 70801	COASTAL PROTECTION AND RESTORATION AUTHORITY 450 LAUREL STREET BATON ROUGE, LOUISIANA 70801	FRONT RIDGE CHENIER TERRACING PROJECT	TITLE SHEET
DRAWN BY: SHANE FAUST	DESIGNED BY: CATHERINE RICKS, P.E.	APPROVED BY: KODI COLLINS, P.E.	STATE PROJECT NUMBER: TV-60 FEDERAL PROJECT NUMBER: TV-60
DATE: JULY 2013 SHEET 1 OF 3			

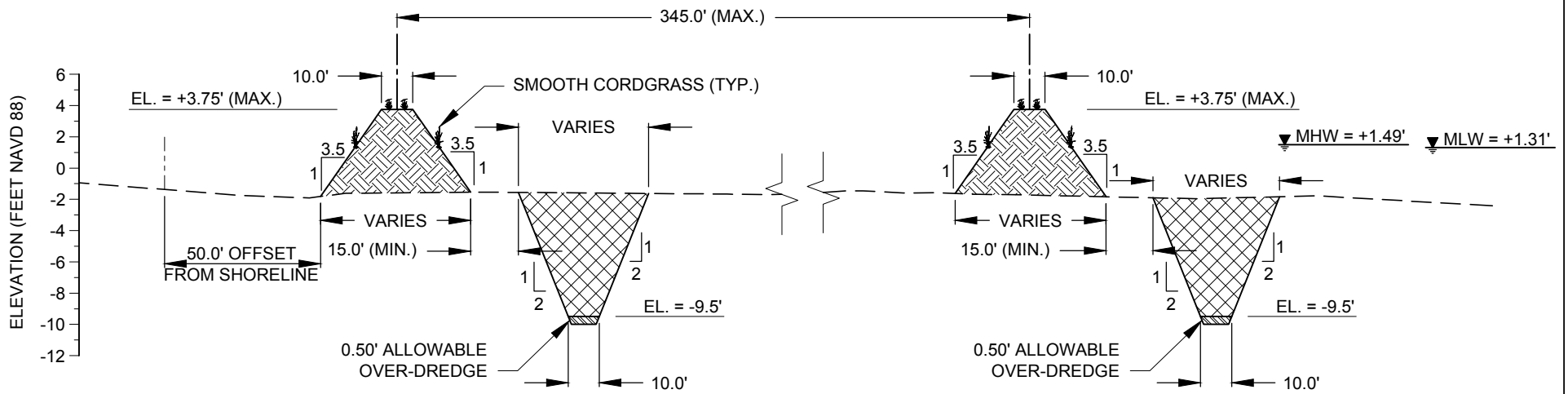
LEGEND

-  EARTHEN TERRACE
-  EARTHEN TERRACE BORROW AREA
-  PROJECT CONSTRUCTION LIMITS
-  POTENTIAL ROAD ACCESS
-  PIPELINES

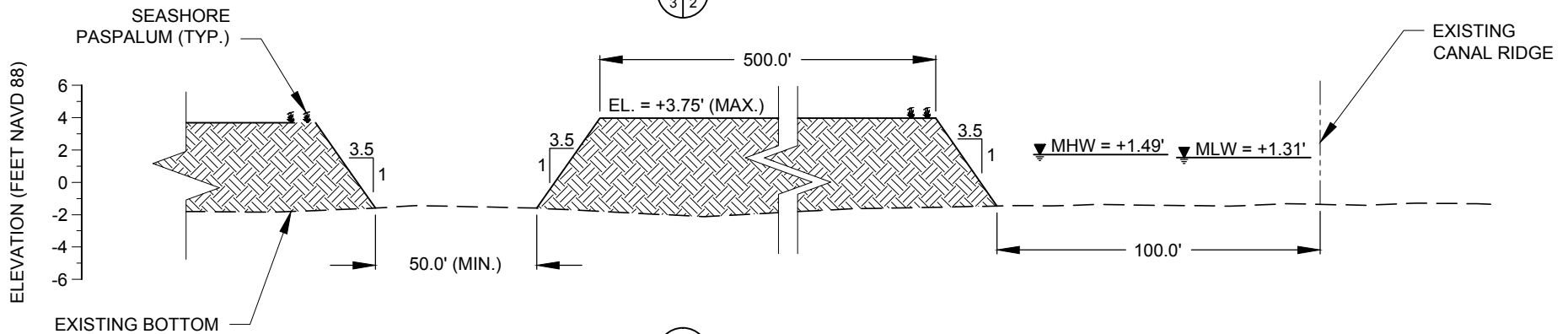


- NOTES:**
1. EARTHEN TERRACES WILL BE CONSTRUCTED TO AVOID EXISTING VEGETATED WETLANDS.
 2. THE USGS DOQQ IMAGERY SHOWN ON PLANS WERE TAKEN IN 2012.
 3. THREE PIPELINES WERE IDENTIFIED WITHIN THE PROJECT AREA. EARTHEN TERRACE FILL AND EARTHEN TERRACE BORROW LOCATIONS WILL BE DESIGNED AROUND CONDITIONS GIVEN BY PIPELINE OWNERS.
 4. SURVEY DATA BASED ON CRMS STATION 0623-H02 LOCATED AT LATITUDE 92° 30' 30.49", LONGITUDE 29° 38' 08.80", WEST OF THIS MAP.
 5. PROJECT CONSTRUCTION LIMITS ENCOMPASS 838 ACRES.

APPLICATION BY: COASTAL PROTECTION & RESTORATION AUTHORITY 450 LAUREL STREET BATON ROUGE, LA 70801	COASTAL PROTECTION AND RESTORATION AUTHORITY 450 LAUREL STREET BATON ROUGE, LOUISIANA 70801	FRONT RIDGE CHENIER TERRACING PROJECT	EARTHEN TERRACE LAYOUT
DRAWN BY: SHANE FAUST	DESIGNED BY: CATHERINE RICKS, P.E.	APPROVED BY: KODI COLLINS, P.E.	STATE PROJECT NUMBER: TV-60
FEDERAL PROJECT NUMBER: TV-60			DATE: JULY 2013
			SHEET 2 OF 3



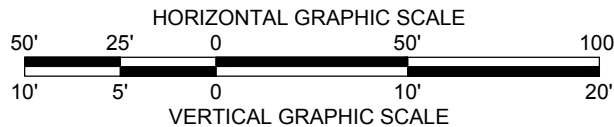
A-A' TYPICAL TERRACE SECTION
3/2



B-B' TYPICAL TERRACE SECTION
3/2

NOTES:

1. MEAN HIGH WATER (MHW) AND MEAN LOW WATER (MLW) ARE BASED ON CRMS STATION 0623-H02 DATA FROM 3/10/2008 THROUGH 8/14/2012.
2. THE SMOOTH CORDGRASS WILL BE PLANTED BETWEEN MHW AND MLW AND THE SEASHORE PASPALUM WILL BE PLANTED ON THE CREST. BOTH PLANT SPECIES WILL BE PLANTED ON FIVE (5) FOOT CENTERS.



LEGEND	
	EARTHEN TERRACE
	EARTHEN TERRACE BORROW
	ALLOWABLE OVER-DREDGE
	EXISTING BOTTOM

APPLICATION BY: COASTAL PROTECTION & RESTORATION AUTHORITY 450 LAUREL STREET BATON ROUGE, LA 70801	COASTAL PROTECTION AND RESTORATION AUTHORITY 450 LAUREL STREET BATON ROUGE, LOUISIANA 70801	FRONT RIDGE CHENIER TERRACING PROJECT	TYPICAL EARTHEN TERRACE SECTIONS
DRAWN BY: SHANE FAUST	DESIGNED BY: CATHERINE RICKS, P.E.	APPROVED BY: KODI COLLINS, P.E.	STATE PROJECT NUMBER: TV-60
		FEDERAL PROJECT NUMBER: TV-60	DATE: JULY 2013
			SHEET 3 OF 3