

JOINT PUBLIC NOTICE

September 18, 2017

United States Army
Corps of Engineers
New Orleans District
Regulatory Branch
7400 Leake Avenue
New Orleans, Louisiana 70118

(504) 862-2259
Project Manager
Scott N. Kennedy
scott.n.kennedy@usace.army.mil
Permit Application Number
MVN 2017-00777 EMM

State of Louisiana
Department of Environmental Quality
Attn: Water Quality Certifications
Post Office Box 4313
Baton Rouge, Louisiana 70821-4313

(225) 219-3225
Project Manager
Elizabeth Hill
WQC Application Number
WQC 170914-01

Interested parties are hereby notified that a permit application has been received by the New Orleans District of the U.S. Army Corps of Engineers pursuant to: [X] Section 10 of the Rivers and Harbors Act of March 3, 1899 (30 Stat. 1151; 33 USC 403); and/or [X] Section 404 of the Clean Water Act (86 Stat. 816; 33 USC 1344).

Application has also been made to the Louisiana Department of Environmental Quality, Water Quality Certifications, for a Water Quality Certification (WQC) in accordance with statutory authority contained in LRS 30:2074 A(3) and provisions of Section 401 of the Clean Water Act.

INSTALL AND MAINTAIN A BULKHEAD, BACKFILL, DECK, AND TWO BOATHOUSES IN SAINT TAMMANY PARISH

NAME OF APPLICANT: Joseph Mesa c/o Lamulle Construction, LLC, 4978 Pontchartrain Drive, Slidell, Louisiana 70458.

LOCATION OF WORK: Section 45, Township 9 South, Range 13 East, in Lacombe, Louisiana, in Saint Tammany Parish, as shown on the attached drawings.

HUC: 0809020: Liberty Bayou – Tchefuncte River
Latitude: 30.293611 Longitude: -89.93045

CHARACTER OF WORK: Install and maintain a 40'x40' boathouse and a 250' vinyl bulkhead with approximately 272 cubic yards of excavated material and topsoil used as backfill in Bayou Lacombe and install and maintain a 12'x32' boathouse and an 80'x26' deck in an unnamed canal, in Lacombe, Louisiana. The applicant contends jurisdictional wetlands will not be impacted, as such compensatory mitigation is not anticipated at this time.

The comment period for the Department of the Army Permit and the Louisiana Department of Environmental Quality WQC will close **20 days** from the date of this joint public notice. Written comments, including suggestions for modifications or objections to the proposed work, stating reasons thereof, are being solicited from anyone having interest in this permit and/or this WQC request and must be mailed so as to be received before or by the last day of the comment period. Letters concerning the Corps of Engineers permit application must reference the applicant's name and the Permit Application Number, and be mailed to the Corps of Engineers at the address above, **ATTENTION: REGULATORY BRANCH**. Similar letters

concerning the Water Quality Certification must reference the applicant's name and the WQC Application number and be mailed to the Louisiana Department of Environmental Quality at the address above. Individuals or parties may request an extension of time in which to comment on the proposed work by writing or e-mailing the Corps of Engineers Project Manager listed above. Any request must be specific and substantively supportive of the requested extension, and received by this office prior to the end of the initial comment period. The Section Chief will review the request and the requestor will be promptly notified of the decision to grant or deny the request. If granted, the time extension will be continuous to the initial comment period and, inclusive of the initial comment period, will not exceed a total of 30 calendar days.

The application for this proposed project is on file with the Louisiana Department of Environmental Quality and may be examined weekdays between 8:00 a.m. and 4:30 p.m. Copies may be obtained upon payment of costs of reproduction.

Corps of Engineers Permit Criteria

The decision whether to issue a permit will be based on an evaluation of the probable impacts, including cumulative impacts of the proposed activity on the public interest. That decision will reflect the national concern for both protection and utilization of important resources. The benefit which reasonably may be expected to accrue from the proposal must be balanced against its reasonably foreseeable detriments. All factors which may be relevant to the proposal will be considered including the cumulative effects thereof; among those are conservation, economics, aesthetics, general environmental concerns, wetlands, historic properties, fish and wildlife values, flood hazards, floodplain values, land use, navigation, shoreline erosion and accretion, recreation, water supply and conservation, water quality, energy needs, safety, food and fiber production, mineral needs, considerations of property ownership and, in general, the needs and welfare of the people.

The U.S. Army Corps of Engineers is soliciting comments from the public, federal, state, and local agencies and officials, Indian Tribes, and other interested parties in order to consider and evaluate the impacts of this proposed activity. Any comments received will be considered by the U.S. Army Corps of Engineers to determine whether to make, modify, condition, or deny a permit for this proposal. To make this decision, comments are used to assess impacts on endangered species, historic properties, water quality, general environmental effects, and other public interest factors listed above. Comments are used in the preparation of an Environmental Assessment and/or an Environmental Impact Statement pursuant to the National Environmental Policy Act. Comments are also used to determine the need for a public hearing and to determine the overall public interest of the proposed activity.

The New Orleans District is unaware of properties listed on the National Register of Historic Places near the proposed work. The possibility exists that the proposed work may damage or destroy presently unknown archeological, scientific, prehistorical, historical sites, or data. Issuance of the public notice solicits input from the State Archeologist and State Historic Preservation Office regarding potential impacts to cultural resources.

The New Orleans District has determined that the proposed work would neither affect any species or critical habitat listed as endangered by the U.S. Department of Commerce.

Utilizing Standard Local Operating Procedure for Endangered Species in Louisiana (SLOPES), dated October 22, 2014, between the U.S. Army Corps of Engineers, New Orleans and U.S. Fish and Wildlife Service, Ecological Services Office, the Corps has determined that the proposed activity would have no effect on any listed species.

This notice initiates the Essential Fish Habitat (EFH) consultation requirements of the Magnuson-Stevens Fishery Conservation and Management Act. The applicant's proposal would result in the destruction or alteration of up to .1 acres of EFH utilized by various life stages of red drum and penaeid shrimp. Our initial determination is that the proposed action would not have a substantial adverse impact on EFH or federally managed fisheries in the Gulf of Mexico. Our final determination relative to project impacts and the need for mitigation measures is subject to review by and coordination with the National Marine Fisheries Service.

If the proposed work involves deposits of dredged or fill material into navigable waters, the evaluation of the probable impacts will include the application of guidelines established by the Administrator of the Environmental Protection Agency. Also, a certification that the proposed activity will not violate water quality standards will be required from the Department of Environmental Quality, Water Quality Certifications, before a permit is issued.

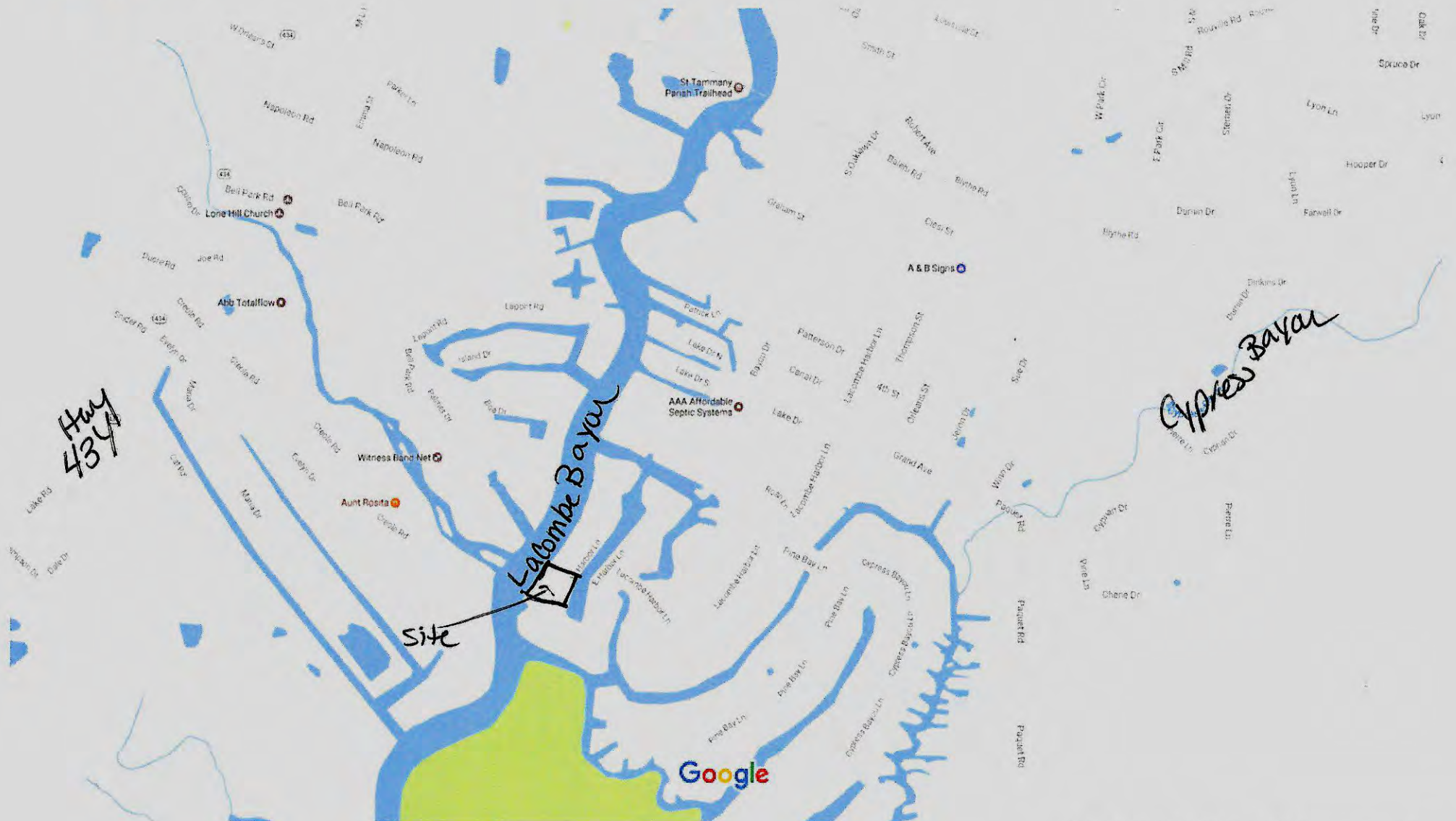
Any person may request, in writing, within the comment period specified in this notice, that a public hearing be held to consider this application. Requests for public hearings shall state, with particularity, the reasons for holding a public hearing.

The applicant has certified that the proposed activity described in the application complies with and will be conducted in a manner that is consistent with the Louisiana Coastal Resources Program. The Department of the Army permit will not be issued unless the applicant received approval or a waiver of the Coastal Use Permit by the Department of Natural Resources.

You are requested to communicate the information contained in this notice to any other parties whom you deem likely to have interest in the matter.

Michael Farabee
Chief, Eastern Evaluation Section

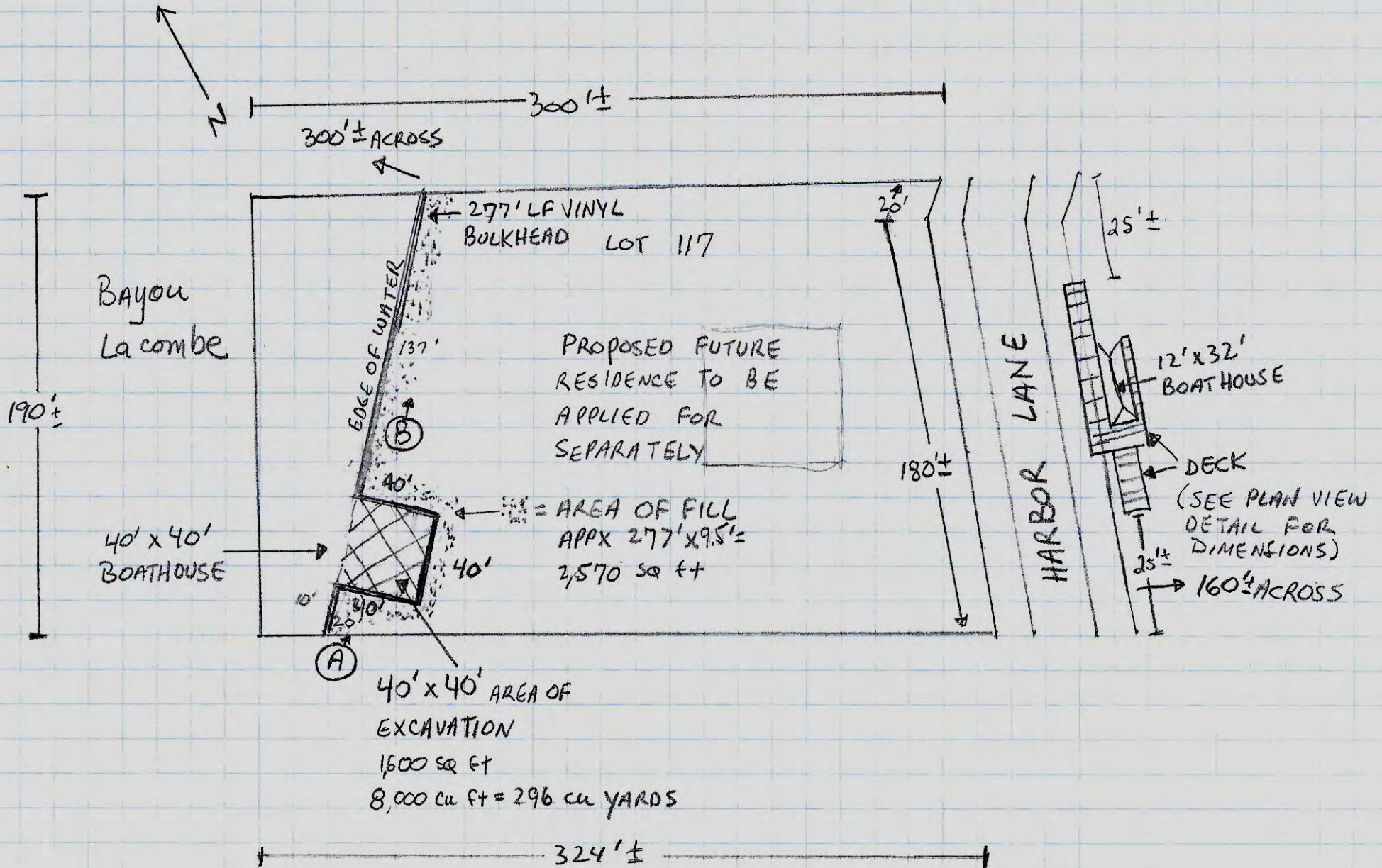
Enclosures



Map data ©2017 Google 500 ft



JOE MESA P20170358
 PLAN VIEW



JOE MESA P20170358
PLAN VIEW DETAIL (BAYOU SIDE)



300' ±
ACROSS

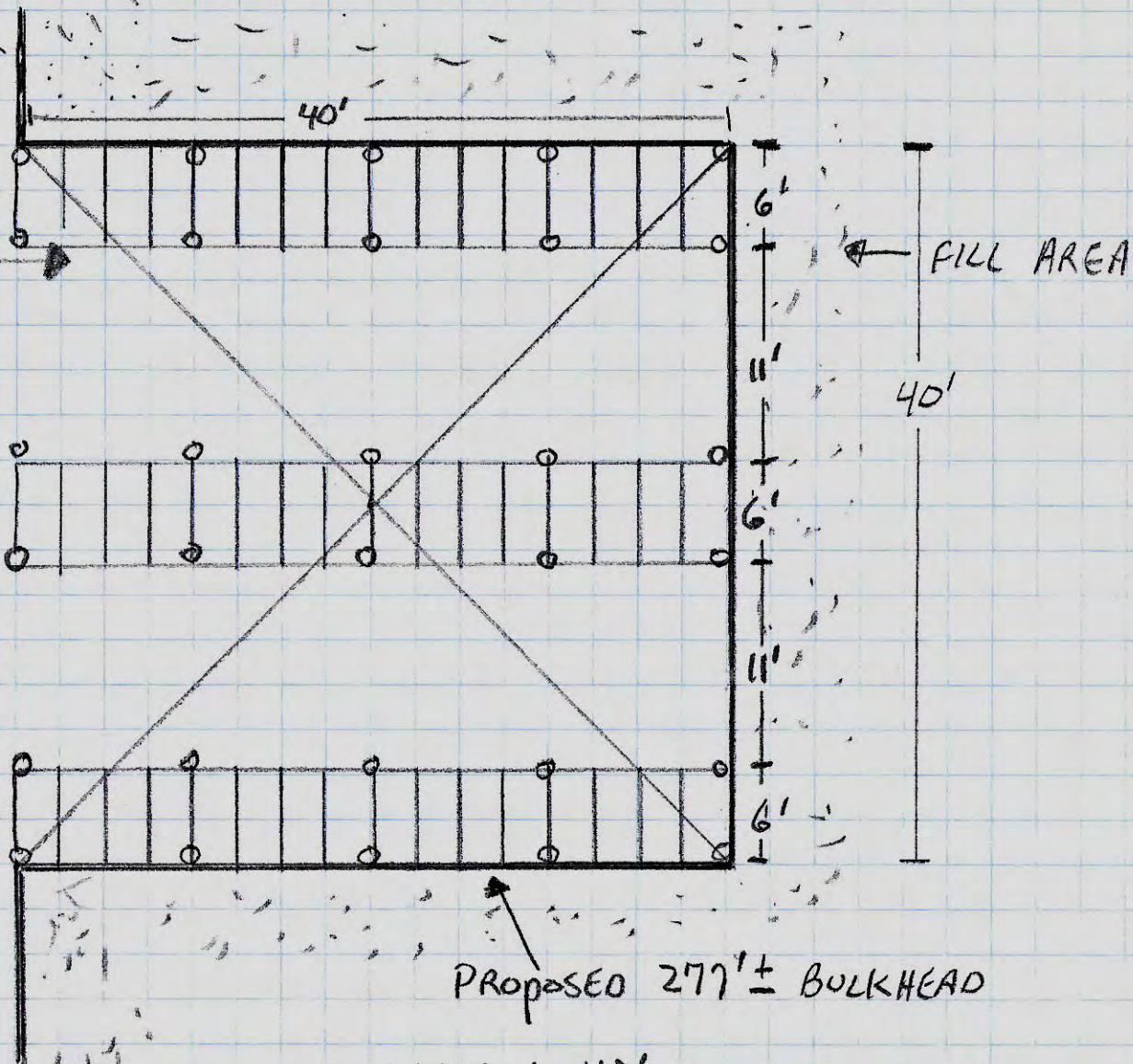
PROPOSED
40' x 40'
BOATHOUSE
EXCAVATION
AREA

Bayou
LaCombe

DECKING

PROPOSED 277' ± BULKHEAD

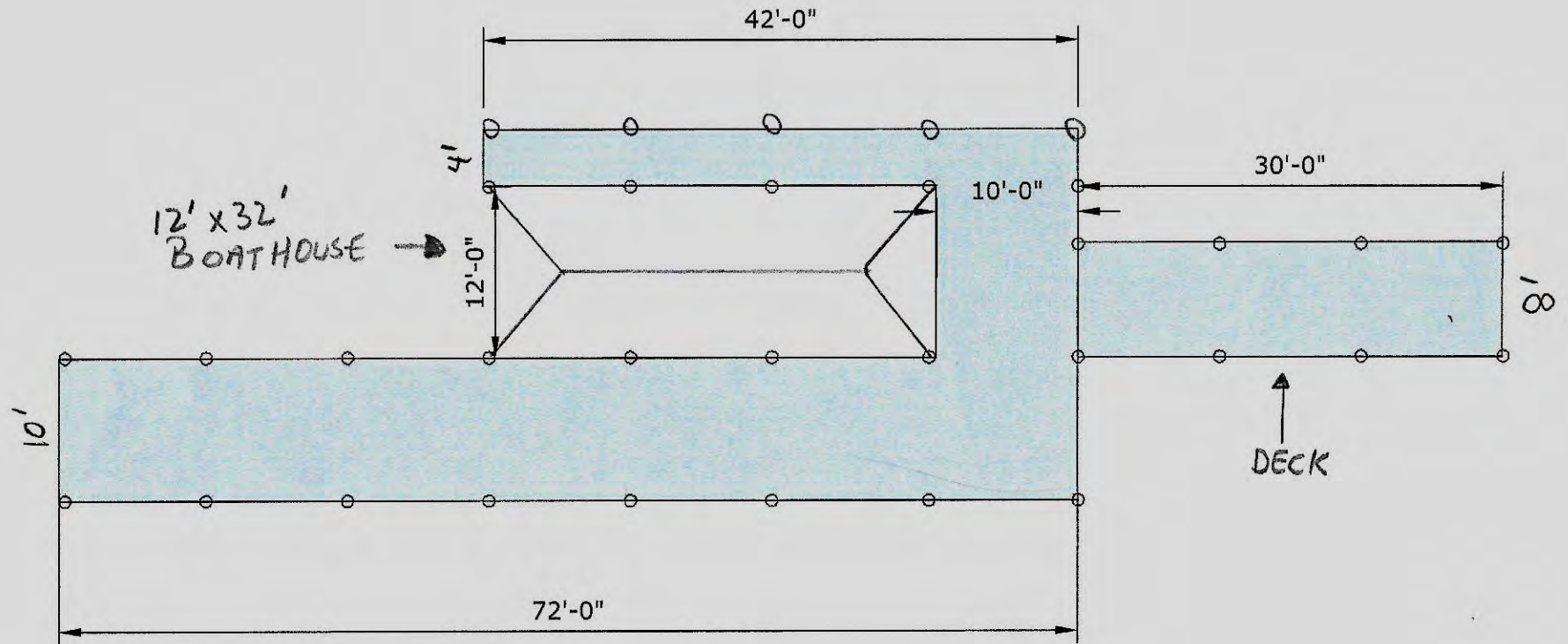
CLASS 6 40'



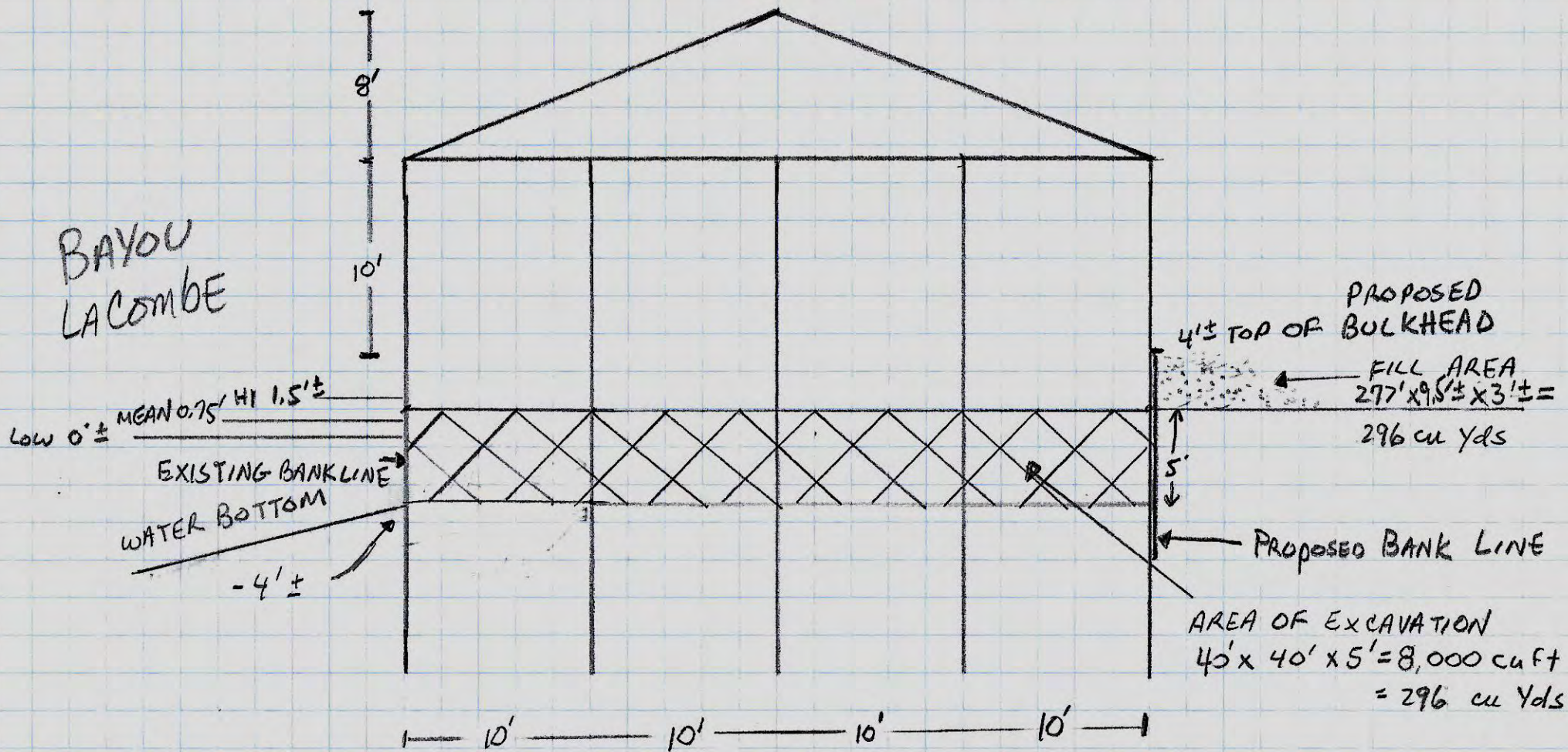
Joe Mesa Canal side project

P20170358

PLAN VIEW DETAIL

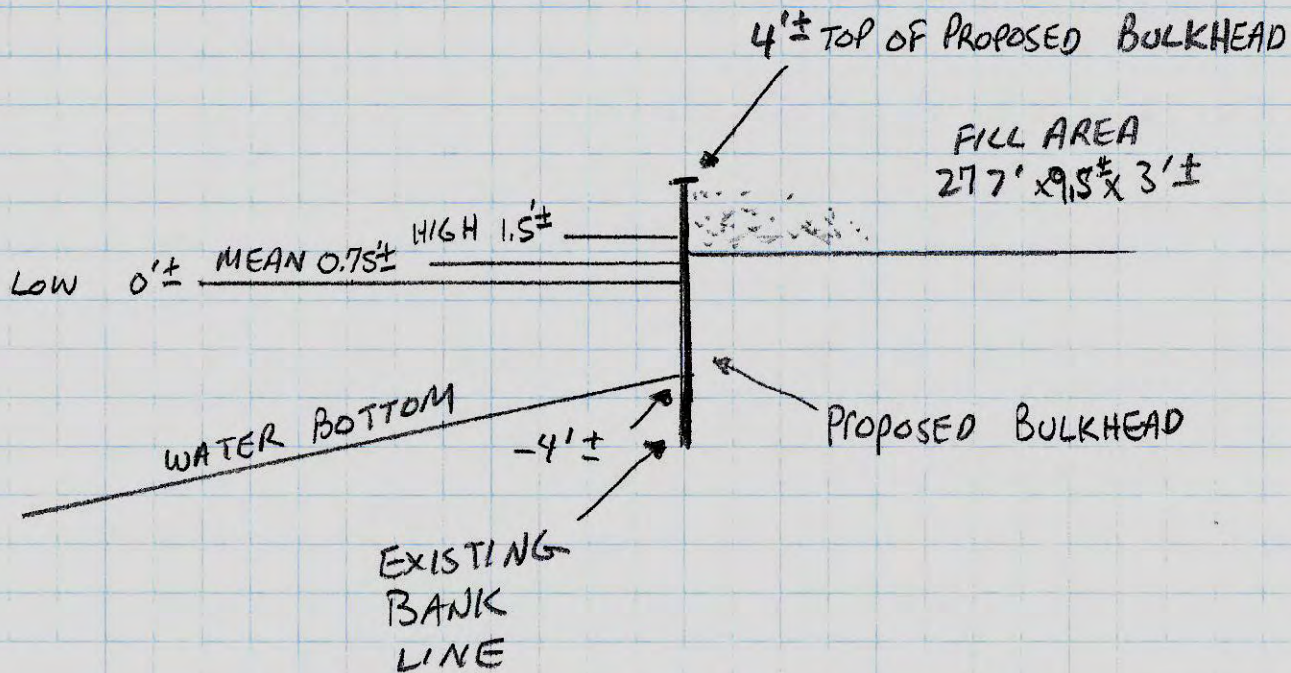


JOE MESA P20170358
 CROSS SECTION A-A - BAYOU LACOMBE



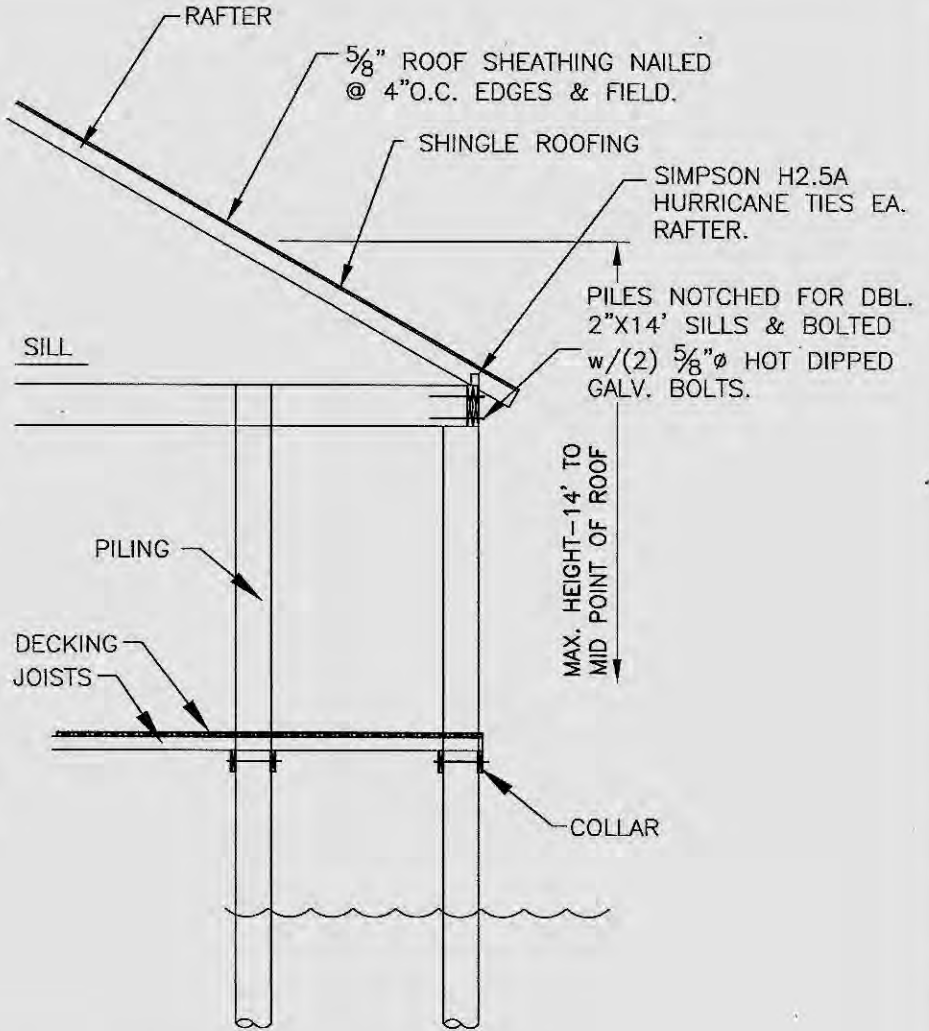
JOE MESA P20170358
CROSS SECTION "B" - BAYOU LACOMBE

BAYOU
LACOMBE



GENERAL NOTES:

1. ALL PILING TO CLASS 6, 40' LONG w/MIN. 2.5 CCA AND DRIVEN TO 2 TON BEARING RESISTANCE.
2. ALL SILLS TO BE DOUBLE 2" x 12" NOTCHED AND BOLTED TO PILING WITH (2) 5/8" DIAMETER HOT DIPPED GALVANIZED BOLTS.
3. ALL COLLARS FOR DECKS TO BE 2" x 8" - NOMINAL 24" ON CENTER TREATED 0.40 ACQ.
4. ALL JOISTS FOR DECKS TO BE 2" x 6" NOMINAL 24" ON CENTER TREATED 0.40 ACQ.
5. ALL DECKING SHALL BE 2" x 6" TREATED 0.40 ACQ. OR FIBERGLASS PANELS.
6. RAFTERS TO BE 2" x 6" #2 SYP AS REQUIRED BY LOCAL CODES w/SIMPSON H2.5A HURRICANE TIES AT EACH RAFTER.
7. ROOF SHEATHING TO BE 5/8" OSB MINIMUM NAILING PATTERN 4" ON CENTER AT EDGES AND FIELD.
8. ROOFING SHALL BE Galvalume AS PER OWNERS INSTRUCTIONS.
9. STRUCTURE IS RATED FOR 140 MPH WIND LOADS.



1 TYPICAL SECTION VIEW
Scale: N.T.S.

PILES Class 6 40ft. JOISTS 2x6
 ROOFING Galvalume DECKING 2x6
 SILLS 2x12 RAFTERS 2x6
 COLLARS 2x8 ROOFING Galvalume over T&G.

Client: **LAMULLE CONSTRUCTION, INC.**

Project: Joe Mesa.

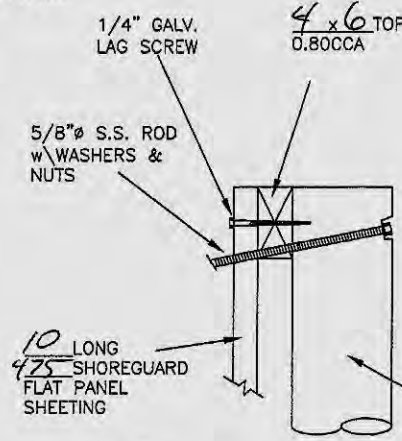
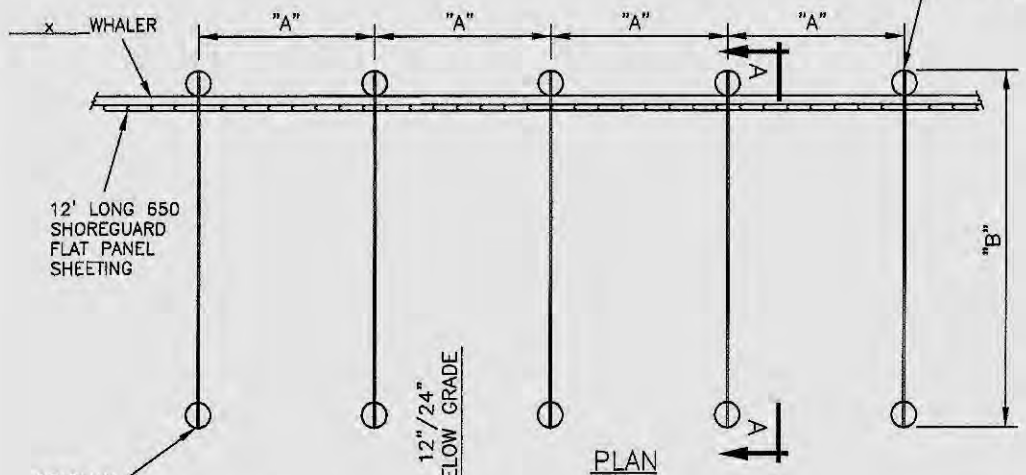
Project No.	No.	Revision/Issue	Date

This drawing and design are the property of DEEP SOUTH DESIGN GROUP. They are submitted on the condition that they are not to be used, reproduced or copied in whole or part or used for furnishing information to others, without the prior written consent of DEEP SOUTH DESIGN GROUP. All common law rights of copyright and otherwise are hereby specifically reserved.



80400 Hwy. 21
 Bush, LA 70431
 PH: 985-705-4696

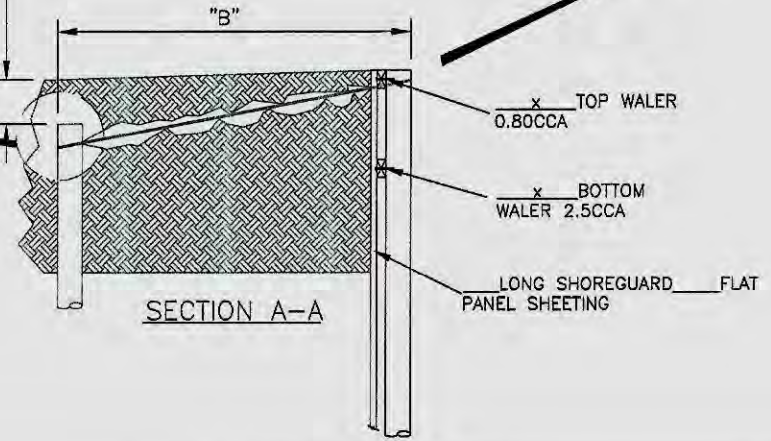
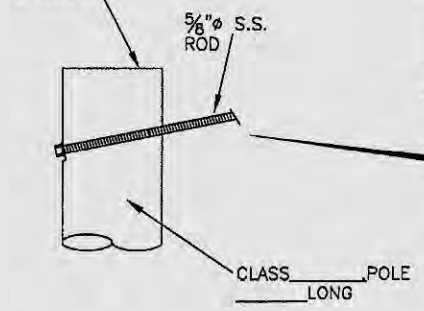
CLASS 6 POLE 20 LONG
2.5CCA @ 5'0.C.



SHEETING	
MATERIAL	Vinyl
SPECIFICATION	
LENGTH	10ft.

PILING @ BULKHEAD	
CLASS	6
LENGTH	20

CLASS 6 POLE 20 LONG
2.5CCA @ 5'0.C.



DEADMAN PILING	
CLASS	6
LENGTH	10

WHALERS	
TOP	4x6
BOTTOM	4x6

DIMENSION	LENGTH
"A"	5
"B"	10

Client: LAMULLE CONSTRUCTION, INC.

Project: Joe Mesa.

Project No.	No.	Revision/Issue	Date

This drawing and design are the property of DEEP SOUTH DESIGN GROUP. They are submitted on the condition that they are not to be used, reproduced or copied in whole or part or used for furnishing information to others, without the prior written consent of DEEP SOUTH DESIGN GROUP. All common law rights of copyright and otherwise are hereby specifically reserved.

DEEP SOUTH DESIGN GROUP
Civil/Environmental Engineering Firm

80400 Hwy. 21
Bush, LA 70431
PH: 985-705-4696