

JOINT PUBLIC NOTICE

May 16, 2016

United States Army
Corps of Engineers
New Orleans District
Regulatory Branch
Post Office Box 60267
New Orleans, Louisiana 70160-0267

(504) 862-2284
Sara.B.Fortuna@usace.army.mil
Project Manager
Sara Fortuna
Permit Application Number
MVN-2015-02418-WKK

State of Louisiana
Department of Environmental Quality
ATTN: Water Quality Certifications
Post Office Box 4313
Baton Rouge, Louisiana 70821-4313

(225) 219-3225
Elizabeth.Hill@la.gov
Project Manager
Elizabeth Hill
WQC Application Number
WQC 160504-01

Interested parties are hereby notified that a permit application has been received by the New Orleans District of the U.S. Army Corps of Engineers pursuant to: [] Section 10 of the Rivers and Harbors Act of March 3, 1899 (30 Stat. 1151; 33 USC 403); and/or [X] Section 404 of the Clean Water Act (86 Stat. 816; 33 USC 1344).

Application has also been made to the Louisiana Department of Environmental Quality, Water Quality Certifications, for a Water Quality Certification (WQC) in accordance with statutory authority contained in LRS30:2047 A(3), and provisions of Section 401 of the Clean Water Act (P.L.95-17).

RING LEVEE AND ACCESS ROAD IN VERMILION PARISH

NAME OF APPLICANT: Hilcorp Energy Company, c/o Tim Morton and Associates, Inc., 730 East Kaliste Saloom Road, Lafayette, Louisiana 70508.

LOCATION OF WORK: Near White Lake, west of Highway 82, off of Outside Island Road, on Outside Island, in Vermilion Parish, Louisiana, as shown on the enclosed drawings.

Location: Latitude: 29°49'49" N / Longitude: -92°23'17 " W, Hydrologic Unit Code: 08080202 – Mermentau Basin.

CHARACTER OF WORK: Construct a 370-foot long by 350-foot wide ring levee, install a 15-foot wide by 3,316-foot long access board road with a 30-foot Right-of-Way, and place approximately 10,073 cubic yards of hauled-in fill material within the ring levee, all to drill the ExxonMobil Well No. 1. Project implementation would impact 3.38 acres of jurisdictional herbaceous wetlands and 0.24 of an acre of jurisdictional bottomland hardwoods. The applicant agrees to compensate for the 3.62 acres of wetland impacts by purchasing credits at a Department of the Army approved mitigation bank.

The comment period for the Department of the Army Permit and the Louisiana Department of Environmental Quality WQC will close **20 days** from the date of this joint public notice. Written comments, including suggestions for modifications or objections to the proposed work, stating reasons thereof, are being solicited from anyone having interest in this permit and/or this WQC request and must be mailed so as to be received before or by the last day of the comment period. Letters concerning the Corps of Engineers permit application must reference the applicant's name and the Permit Application Number, and be mailed to the Corps of Engineers at the address above, **ATTENTION: REGULATORY BRANCH**. **Similar letters concerning the Water Quality Certification must reference the applicant's name and the WQC Application number and be mailed to the Louisiana Department of Environmental Quality at the address above.**

Individuals or parties may request an extension of time in which to comment on the proposed work by writing or e-mailing the Corps of Engineers Project Manager listed above. Any request must be specific and substantively supportive of the requested extension, and received by this office prior to the end of the initial comment period. The Section Chief will review the request and the requestor will be promptly notified of the decision to grant or deny the request. If granted, the time extension will be continuous to the initial comment period and, inclusive of the initial comment period, will not exceed a total of 30 calendar days.

The application for this proposed project is on file with the Louisiana Department of Environmental Quality and may be examined during weekdays between 8:00 a.m. and 4:30 p.m. Copies may be obtained upon payment of costs of reproduction.

Corps of Engineers Permit Criteria

The decision whether to issue a permit will be based on an evaluation of the probable impacts, including cumulative impacts of the proposed activity on the public interest. That decision will reflect the national concern for both protection and utilization of important resources. The benefit which reasonably may be expected to accrue from the proposal must be balanced against its reasonably foreseeable detriments. All factors which may be relevant to the proposal will be considered including the cumulative effects thereof; among those are conservation, economics, aesthetics, general environmental concerns, wetlands, historic properties, fish and wildlife values, flood hazards, floodplain values, land use, navigation, shoreline erosion and accretion, recreation, water supply and conservation, water quality, energy needs, safety, food and fiber production, mineral needs, considerations of property ownership and, in general, the needs and welfare of the people.

The U.S. Army Corps of Engineers is soliciting comments from the public, federal, state, and local agencies and officials, Indian Tribes, and other interested parties in order to consider and evaluate the impacts of this proposed activity. Any comments received will be considered by the U.S. Army Corps of Engineers to determine whether to make, modify, condition, or deny a permit for this proposal. To make this decision, comments are used to assess impacts on endangered species, historic properties, water quality, general environmental effects, and other public interest factors listed above. Comments are used in the preparation of an Environmental Assessment and/or an Environmental Impact Statement pursuant to the National Environmental Policy Act. Comments are also used to determine the need for a public hearing and to determine the overall public interest of the proposed activity.

The New Orleans District is unaware of properties listed on the National Register of Historic Places near the proposed work. The possibility exists that the proposed work may damage or destroy presently unknown archeological, scientific, prehistorical, historical sites, or data. Issuance of this public notice solicits input from the State Archeologist and State Historic Preservation Officer regarding potential impacts to cultural resources.

Our initial finding is that the proposed work would neither affect any species listed as endangered by the U.S. Departments of Interior or Commerce, nor affect any habitat designated as critical to the survival and recovery of any endangered species. Utilizing Standard Local Operating Procedure for Endangered Species in Louisiana (SLOPES), dated October 22, 2014, between the U.S. Army Corps of Engineers, New Orleans and U.S. Fish and Wildlife Service, Ecological Services Office, the Corps has determined that the proposed activity would have no effect on any listed species.

This notice initiates the Essential Fish Habitat (EFH) consultation requirements of the Magnuson-Stevens Fishery Conservation and Management Act. The applicant's proposal would result in the destruction or alteration of **N/A** acres of EFH utilized by various life stages of red drum and penaeid shrimp. Our initial determination is that the proposed action would not have a substantial adverse impact on EFH or federally managed fisheries in the Gulf of Mexico. Our final determination relative to project impacts and the need for mitigation measures is subject to review by and coordination with the National Marine Fisheries Service.

If the proposed work involves deposits of dredged or fill material into navigable waters, the evaluation of the probable impacts will include the application of guidelines established by the Administrator of the Environmental Protection Agency. Also, a certification that the proposed activity will not violate applicable water quality standards will be required from the Department of Environmental Quality, Water Quality Certifications, before a permit is issued.

Any person may request, in writing, within the comment period specified in this notice, that a public hearing be held to consider this application. Requests for public hearings shall state, with particularity, the reasons for holding a public hearing.

The applicant has certified that the proposed activity described in the application complies with and will be conducted in a manner that is consistent with the Louisiana Coastal Resources Program. The Department of the Army permit will not be issued unless the applicant received approval or a waiver of the Coastal Use Permit by the Department of Natural Resources.

You are requested to communicate the information contained in this notice to any other parties whom you deem likely to have interest in the matter.

Darrell S. Barbara
Chief, Western Evaluation Section
Regulatory Branch

Enclosure

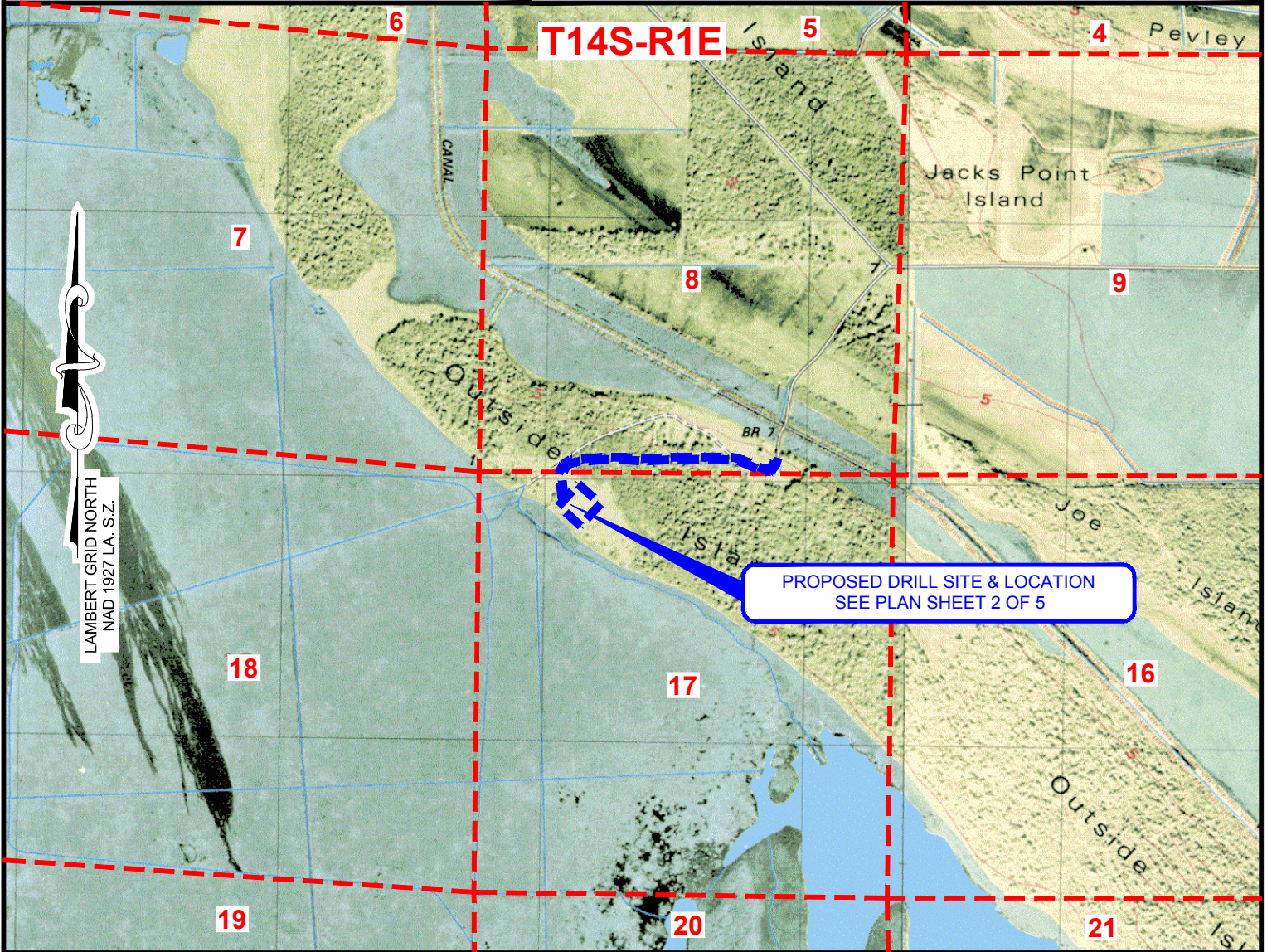


As-built drawings and/or plats shall have written on them the date of completion of said activities and shall be submitted to the Louisiana Department of Natural Resources, Office of Coastal Management, P.O. Box 44487, Baton Rouge, LA 70804-4487 within 30 days following project completion.

All structures built under the authorization and conditions of this permit shall be removed from the site within 120 days of abandonment of the facilities for the herein permitted use, or when these structures fall into a state of disrepair such that they can no longer function as intended. This condition does not preclude the necessity for revising the current permit or obtaining a separate Coastal Use Permit, should one be required, for such removal activities.

Structures must also be marked / lighted in accordance with U.S Coast Guard regulations.

In order to ensure the safety of all parties, the permittee shall contact Louisiana One Call System (1-800-272-3020) a minimum of 48 hours prior to the commencement of any excavation (digging, dredging, jetting, etc.) or demolition activity.



LOCATION MAP

REPRODUCED FROM USGS FORKED ISLAND & JACKS POINT ISLAND QUADRANGLES



HILCORP ENERGY COMPANY

1201 LOUISIANA, SUITE 1400
HOUSTON, TEXAS 77002

PROPOSED DRILL SITE & LOCATION

EXXONMOBIL NO. 1
Vermilion Parish, Louisiana

PREPARED BY: **C&C Technologies**
An Oceanering International Company™

730 E. KALISTE SALOOM RD.
LAFAYETTE, LA 70508
(337) 210-0000
LA Reg. No. 330

JOB No: 150667

DATE: Mar. 4, 2016

DRW: REP

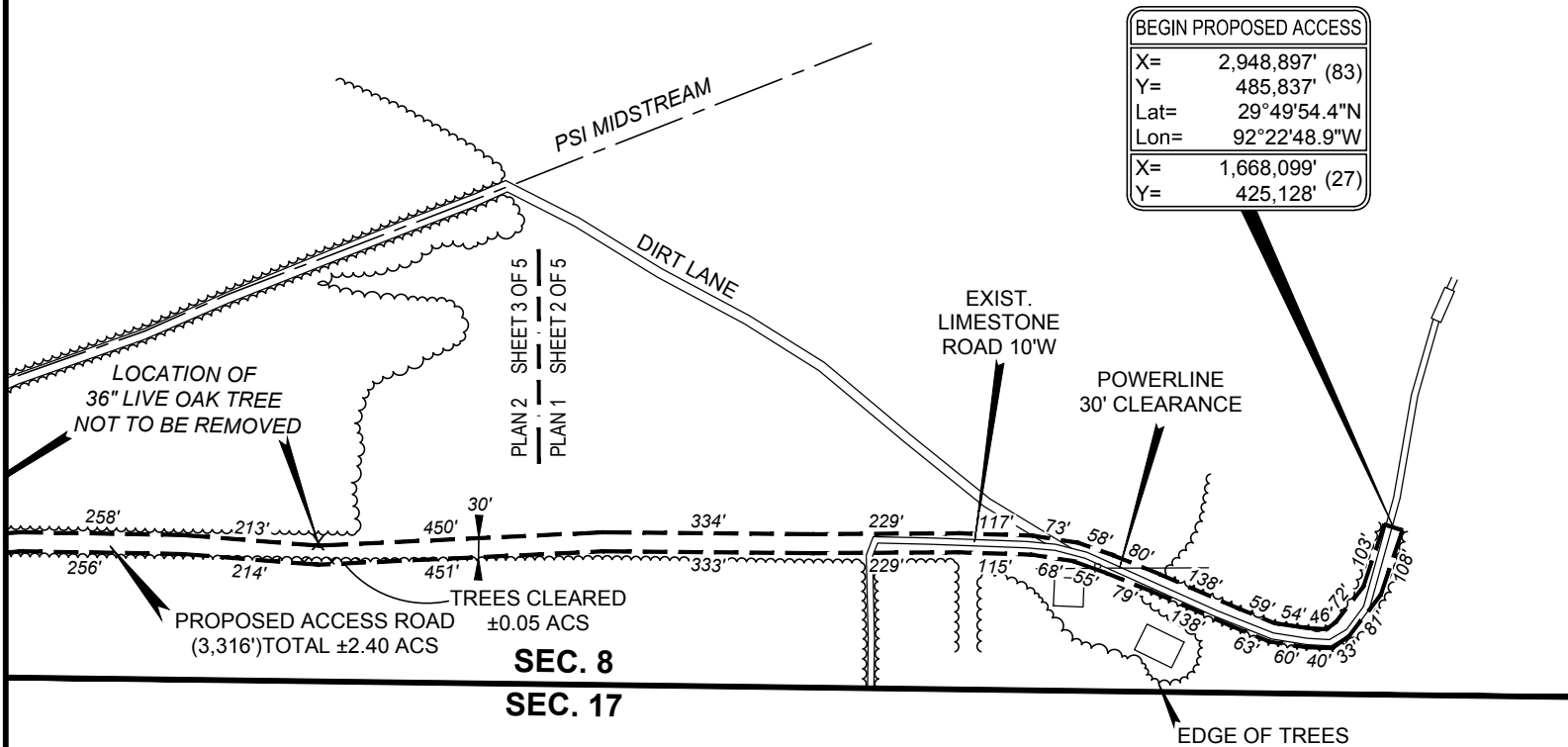
CKD: HEK

FILE: C150667.DWG

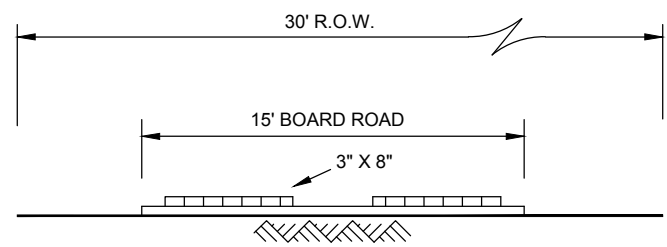
SHEET 1 of 5

REV.
0

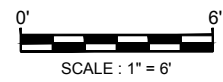
T14S-R1E



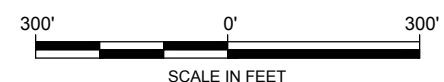
SEC. 8
SEC. 17



TYP. ROAD SECTION



PLAN 1



LAMBERT GRID NORTH
NAD 1983 LA. S.Z.

PROPOSED DRILL SITE & LOCATION
EXXONMOBIL NO. 1
Vermilion Parish, Louisiana

HILCORP ENERGY COMPANY
1201 LOUISIANA, SUITE 1400
HOUSTON, TEXAS 77002



JOB No: 150667	DATE: Mar. 4, 2016
DRW: REP	CKD: HEK
FILE: C150667A.DWG	SHEET 2 of 5
	REV. 0

730 E. KALISTE SALOOM RD.
LAFAYETTE, LA 70508
(837) 210-0000
LA Reg. No. 330

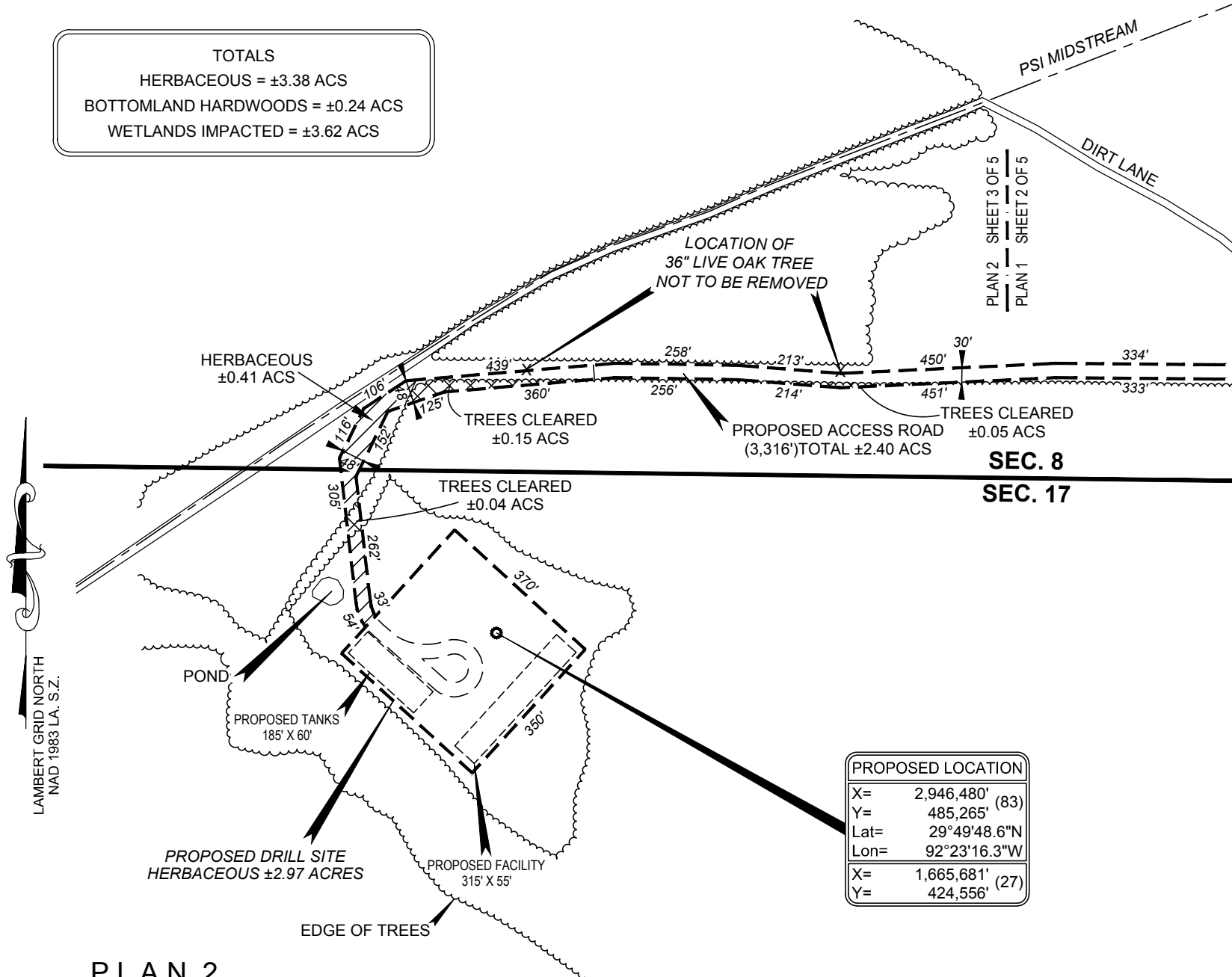
C&C Technologies
An Oceanenergy International Company™

PREPARED BY:

DATE: 03/04/2016 TIME: 08:11 FILENAME: L:\14501E\150667\C150667A.DWG

T14S-R1E

TOTALS
 HERBACEOUS = ±3.38 ACS
 BOTTOMLAND HARDWOODS = ±0.24 ACS
 WETLANDS IMPACTED = ±3.62 ACS

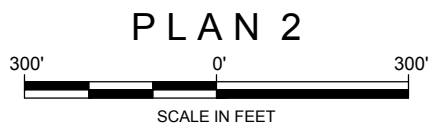


PLAN 2 SHEET 3 OF 5
 PLAN 1 SHEET 2 OF 5

SEC. 8
SEC. 17

PROPOSED LOCATION	
X=	2,946,480' (83)
Y=	485,265' (27)
Lat=	29°49'48.6"N
Lon=	92°23'16.3"W
X=	1,665,681' (27)
Y=	424,556' (83)

LAMBERT GRID NORTH
 NAD 1983 LA. S.Z.



PROPOSED DRILL SITE & LOCATION
EXXONMOBIL NO. 1
 Vermilion Parish, Louisiana

HILCORP ENERGY COMPANY
 1201 LOUISIANA, SUITE 1400
 HOUSTON, TEXAS 77002



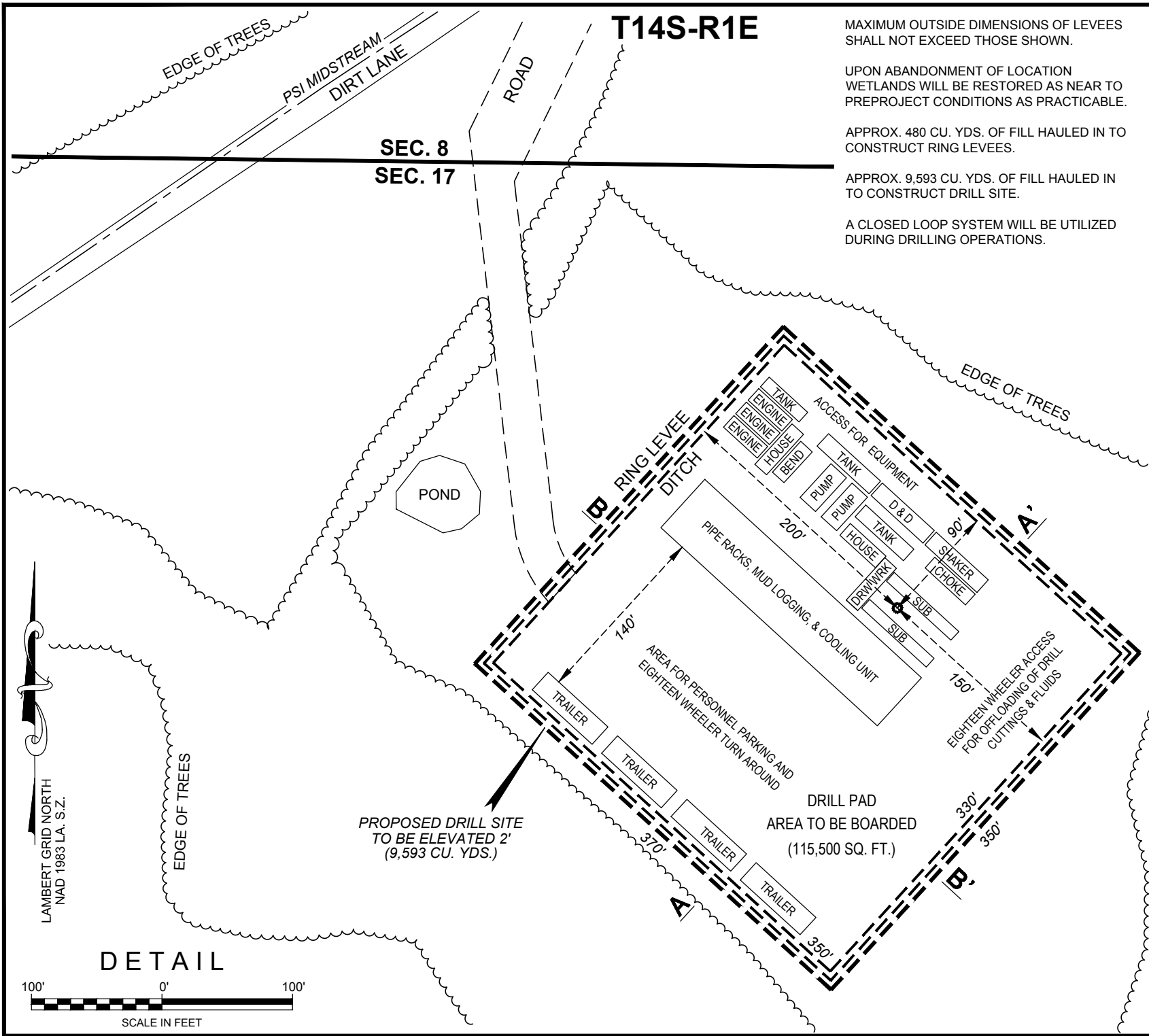
JOB No: 150667	DATE: Mar. 4, 2016
DRW: REP	CKD: HEK
FILE: C150667A.DWG	REV. 0
SHEET 3 of 5	

730 E. KALISTE SALOOM RD.
 LAFAYETTE, LA 70508
 (837) 210-0000
 LA Reg. No. 330

C&C Technologies
 An Oceanenergy International Company™

PREPARED BY:

DATE: 03/04/2016 TIME: 08:11 FILENAME: L:\14501E\150667\C150667A.DWG



T14S-R1E

MAXIMUM OUTSIDE DIMENSIONS OF LEVEES SHALL NOT EXCEED THOSE SHOWN.

UPON ABANDONMENT OF LOCATION WETLANDS WILL BE RESTORED AS NEAR TO PREPROJECT CONDITIONS AS PRACTICABLE.

APPROX. 480 CU. YDS. OF FILL HAULED IN TO CONSTRUCT RING LEVEES.

APPROX. 9,593 CU. YDS. OF FILL HAULED IN TO CONSTRUCT DRILL SITE.

A CLOSED LOOP SYSTEM WILL BE UTILIZED DURING DRILLING OPERATIONS.

PROPOSED DRILL SITE & LOCATION
EXXONMOBIL NO. 1
 Vermilion Parish, Louisiana

HILCORP ENERGY COMPANY
 1201 LOUISIANA, SUITE 1400
 HOUSTON, TEXAS 77002

JOB No: 150667	DATE: Mar. 4, 2016
DRW: REP	CKD: HEK
FILE: C150667B.DWG	REV. 0
SHEET 4 of 5	

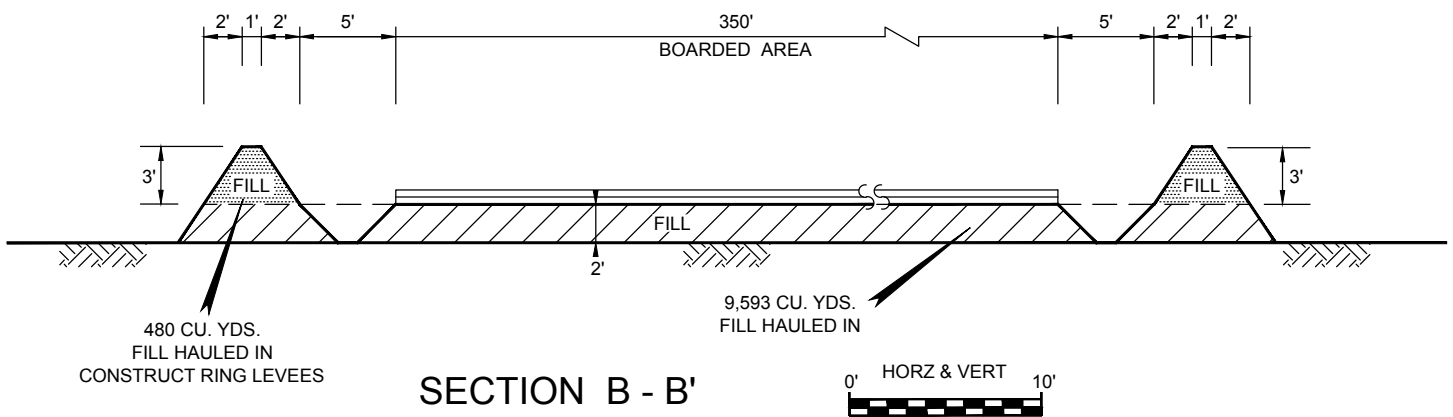
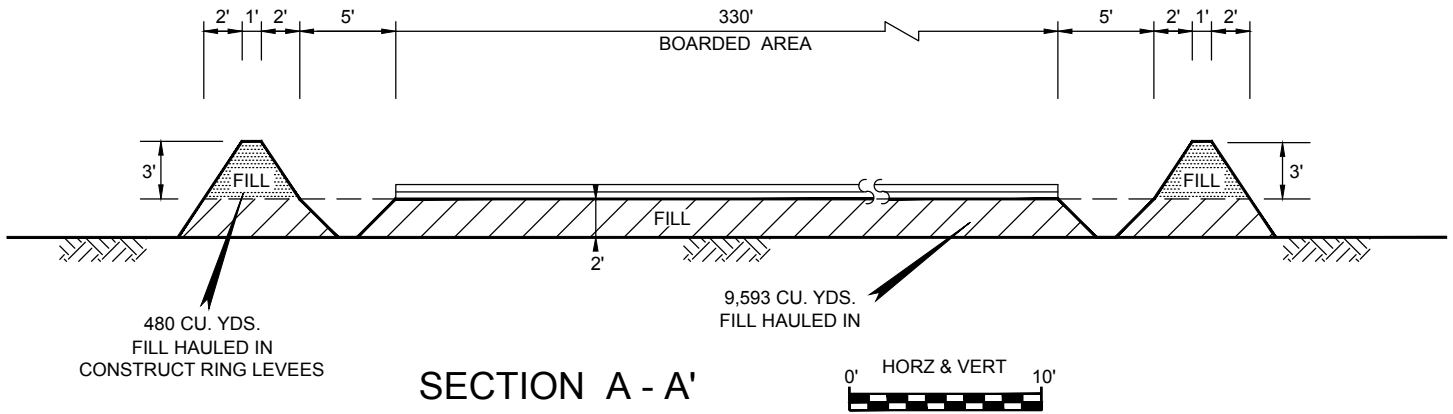
730 E. KALISTE SALOOM RD.
 LAFAYETTE, LA 70508
 (837) 210-0000
 LA Reg. No. 330

C&C Technologies
 An Oceanenergy International Company™

PREPARED BY:

DATE: 03/04/2016 TIME: 08:11 FILENAME: L:\14501E\150667\C150667B.DWG





HILCORP ENERGY COMPANY
 1201 LOUISIANA, SUITE 1400
 HOUSTON, TEXAS 77002

PROPOSED DRILL SITE & LOCATION
EXXONMOBIL NO. 1
 Vermilion Parish, Louisiana

PREPARED BY:  **C&C Technologies**
 An Oceanering International Company™

730 E. KALISTE SALOOM RD.
 LAFAYETTE, LA 70508
 (337) 210-0000
 LA Reg. No. 330

JOB No: 150667

DATE: Mar. 4, 2016

DRW: REP CKD: HEK

SHEET 5 of 5

REV. 0

FILE: C150667B.DWG