

JOINT PUBLIC NOTICE

December 8, 2014

United States Army
Corps of Engineers
New Orleans District
Regulatory Branch
Post Office Box 60267
New Orleans, Louisiana 70160-0267

State of Louisiana
Department of Environmental Quality
ATTN: Water Quality Certifications
Post Office Box 4313
Baton Rouge, Louisiana 70821-4313

(504) 862-1954
Michael.h.herrmann@yahoo.com
Project Manager
Michael Herrmann
Permit Application Number
MVN-2014-02072-WLL

(225) 219-3225
Project Manager
Elizabeth Johnson
WQC Application Number
WQC 141001-01

Interested parties are hereby notified that a permit application has been received by the New Orleans District of the U.S. Army Corps of Engineers pursuant to: [X] Section 10 of the Rivers and Harbors Act of March 3, 1899 (30 Stat. 1151; 33 USC 403); and/or [X] Section 404 of the Clean Water Act (86 Stat. 816; 33 USC 1344).

Application has also been made to the Louisiana Department of Environmental Quality, Water Quality Certifications, for a Water Quality Certification (WQC) in accordance with statutory authority contained in LRS30:2047 A(3), and provisions of Section 401 of the Clean Water Act (P.L.95-17).

CONSTRUCT LEVEES AND WATERCONTROL STRUCTURES FOR MARSH MANAGEMENT IN CAMERON PARISH

NAME OF APPLICANT: Edward T. McCain, 864 Hwy 384, Lake Charles, LA 70630.

LOCATION OF WORK: Off Highway 384, Grand Lake area in Cameron Parish, Louisiana, Location: Latitude: 29.997269 / Longitude: -93.196967 Hydrologic Unit Code: 08080206 – Calcasieu Watershed, as shown on the enclosed drawings.

CHARACTER OF WORK: Provide protection from saltwater intrusion and marsh degradation by installing marsh management levees and water control structures with onsite, excavated fill.

The proposed project will impact a total of 3.6 acres of historical fresh marsh due to the excavation and placement of 4,905 cubic yards of associated fill material and is proposed to beneficially affect approximately 300 acres of marsh inside of the project's levee system.

The applicant has proposed that project related impacts will be offset through benefits and

preservation of habitat accrued by the implementation of the proposed marsh management project. The applicant has also proposed to potentially create earthen terraces to offset project related impacts, as required and/or requested by the resource agencies.

The comment period for the Department of the Army Permit and the Louisiana Department of Environmental Quality WQC will close **20 days** from the date of this joint public notice. Written comments, including suggestions for modifications or objections to the proposed work, stating reasons thereof, are being solicited from anyone having interest in this permit and/or this WQC request and must be mailed so as to be received before or by the last day of the comment period. Letters concerning the Corps of Engineers permit application must reference the applicant's name and the Permit Application Number, and be mailed to the Corps of Engineers at the address above, **ATTENTION: REGULATORY BRANCH**. **Similar letters concerning the Water Quality Certification must reference the applicant's name and the WQC Application number and be mailed to the Louisiana Department of Environmental Quality at the address above.** Individuals or parties may request an extension of time in which to comment on the proposed work by writing or e-mailing the Corps of Engineers Project Manager listed above. Any request must be specific and substantively supportive of the requested extension, and received by this office prior to the end of the initial comment period. The Section Chief will review the request and the requestor will be promptly notified of the decision to grant or deny the request. If granted, the time extension will be continuous to the initial comment period and, inclusive of the initial comment period, will not exceed a total of 30 calendar days.

The application for this proposed project is on file with the Louisiana Department of Environmental Quality and may be examined during weekdays between 8:00 a.m. and 4:30 p.m. Copies may be obtained upon payment of costs of reproduction.

Corps of Engineers Permit Criteria

The decision whether to issue a permit will be based on an evaluation of the probable impacts, including cumulative impacts of the proposed activity on the public interest. That decision will reflect the national concern for both protection and utilization of important resources. The benefit which reasonably may be expected to accrue from the proposal must be balanced against its reasonably foreseeable detriments. All factors which may be relevant to the proposal will be considered including the cumulative effects thereof; among those are conservation, economics, aesthetics, general environmental concerns, wetlands, historic properties, fish and wildlife values, flood hazards, floodplain values, land use, navigation, shoreline erosion and accretion, recreation, water supply and conservation, water quality, energy needs, safety, food and fiber production, mineral needs, considerations of property ownership and, in general, the needs and welfare of the people.

The U.S. Army Corps of Engineers is soliciting comments from the public, federal, state, and local agencies and officials, Indian Tribes, and other interested parties in order to consider and evaluate the impacts of this proposed activity. Any comments received will be considered by the U.S. Army Corps of Engineers to determine whether to make, modify, condition, or deny a permit for this proposal. To make this decision, comments are used to assess impacts on endangered species, historic properties, water quality, general environmental effects, and other public interest factors listed above. Comments are used in the preparation of an Environmental Assessment and/or an Environmental Impact Statement pursuant to the National Environmental Policy Act. Comments are also used to determine the need for a public hearing and to determine the overall public interest of the proposed activity.

The New Orleans District is unaware of properties listed on the National Register of Historic Places near the proposed work. The possibility exists that the proposed work may damage or destroy presently unknown archeological, scientific, prehistorical, historical sites, or data. Issuance of this public notice solicits input from the State Archeologist and State Historic Preservation Officer regarding potential impacts to cultural resources.

Our initial finding is that the proposed work is Not Likely to Adversely Affect any species listed as endangered by the U.S. Departments of Interior or Commerce, nor affect any habitat designated as critical to the survival and recovery of any endangered species.

This notice initiates the Essential Fish Habitat (303.6 acres) consultation requirements of the Magnuson-Stevens Fishery Conservation and Management Act. The applicant's proposal would result in the destruction or alteration of acres of EFH utilized by various life stages of red drum and penaeid shrimp. Our initial determination is that the proposed action would not have a substantial adverse impact on EFH or federally managed fisheries in the Gulf of Mexico. Our final determination relative to project impacts and the need for mitigation measures is subject to review by and coordination with the National Marine Fisheries Service.

If the proposed work involves deposits of dredged or fill material into navigable waters, the evaluation of the probable impacts will include the application of guidelines established by the Administrator of the Environmental Protection Agency. Also, a certification that the proposed activity will not violate applicable water quality standards will be required from the Department of Environmental Quality, Water Quality Certifications, before a permit is issued.

Any person may request, in writing, within the comment period specified in this notice, that a public hearing be held to consider this application. Requests for public hearings shall state, with particularity, the reasons for holding a public hearing.

The applicant has certified that the proposed activity described in the application complies with and will be conducted in a manner that is consistent with the Louisiana Coastal Resources Program. The Department of the Army permit will not be issued unless the applicant received approval or a waiver of the Coastal Use Permit by the Department of Natural Resources.

You are requested to communicate the information contained in this notice to any other parties whom you deem likely to have interest in the matter.

Darrell S. Barbara
Chief, Western Evaluation Section

Enclosure

NOTE: THESE DRAWINGS ARE TO BE USED EXCLUSIVELY FOR ACQUISITION OF REGULATORY PERMITS.

REVISED:

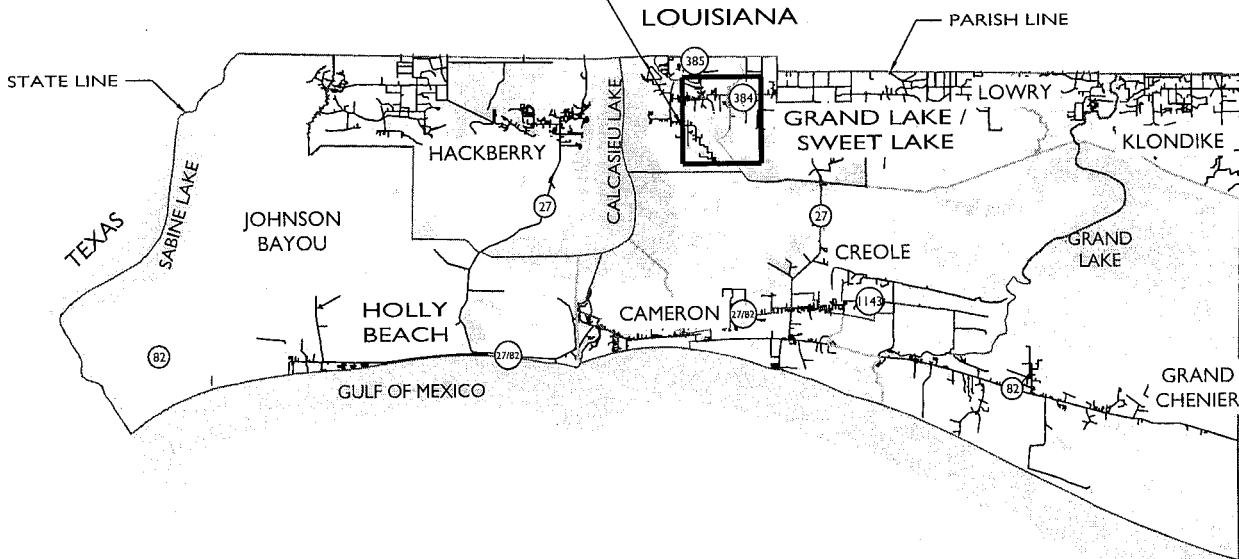
CAMERON PARISH, LOUISIANA

SECTION 17, 16, 20, & 21 T.12S., R.8W

SHEET 01 OF 08



PROJECT LOCATION
SEE SHEET 02



PREPARED BY:



LONNIE G. HARPER & ASSOCIATES, INC.

2746 HWY. NO. 384 BELL CITY, LOUISIANA 70643
PHONE: (337) 905-1079 FAX: (337) 905-1076

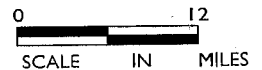
PROPOSED LEVEE CONSTRUCTION IN THE GRAND LAKE AREA CAMERON PARISH, LOUISIANA

APPLICATION BY:
DATE:

E. TAL MCCAIN, 864 HWY 384, LAKE CHARLES, LA 70630
08/07/2014

DRAWN BY: C.L.W.

VICINITY MAP



LGH PROJECT NUMBER: 2014-33

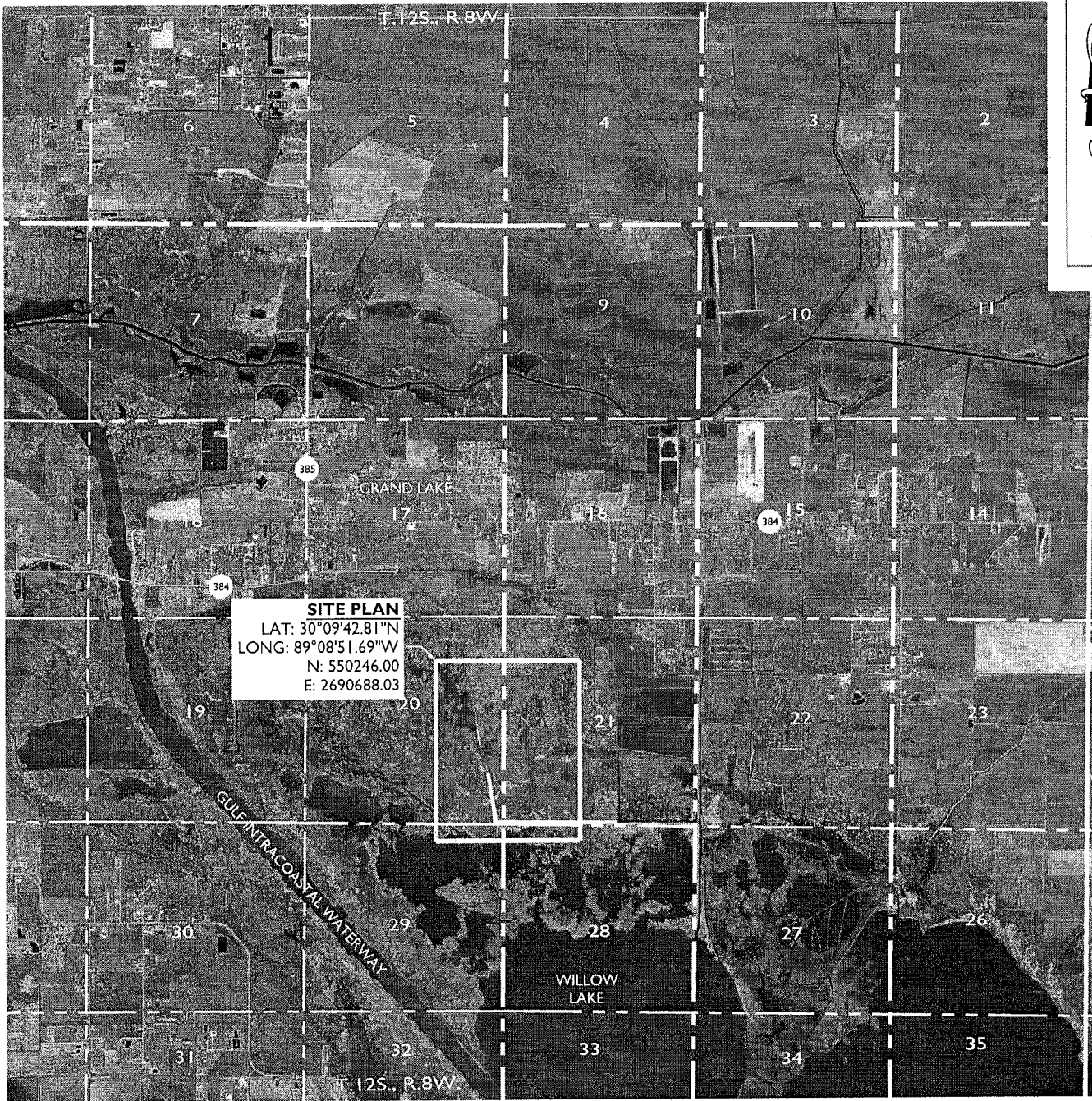
NOTE: THESE DRAWINGS ARE TO BE USED EXCLUSIVELY FOR ACQUISITION OF REGULATORY PERMITS.

REVISED:

CAMERON PARISH, LOUISIANA

SECTION 17, 16, 20, & 21 T.12S.,R.8W

SHEET 02 OF 08



SITE PLAN
 LAT: 30°09'42.81"N
 LONG: 89°08'51.69"W
 N: 550246.00
 E: 2690688.03

PREPARED BY:



LONNIE G. HARPER & ASSOCIATES, INC.

2746 HWY. NO. 384 BELL CITY, LOUISIANA 70643
PHONE (337) 905-1079 FAX: (337) 905-1076

PROPOSED LEVEE CONSTRUCTION IN THE GRAND LAKE AREA CAMERON PARISH, LOUISIANA

APPLICATION BY: E. TAL MCCAIN, 864 HWY 384, LAKE CHARLES, LA 70630
DATE: 08/07/2014

DRAWN BY: C.L.W.

PROJECT LOCATION



LGH PROJECT NUMBER: 2014-33

NOTE: THESE DRAWINGS ARE TO BE USED EXCLUSIVELY FOR ACQUISITION OF REGULATORY PERMITS.

REVISED:

CAMERON PARISH, LOUISIANA

SECTION 17, 16, 20, & 21 T.12S.,R.8W

SHEET 03 OF 08



PREPARED BY:



LONNIE G. HARPER & ASSOCIATES, INC.

2746 HWY. NO. 384 BELL CITY, LOUISIANA 70643
PHONE: (337) 905-1079 FAX: (337) 905-1076

PROPOSED LEVEL CONSTRUCTION IN THE GRAND LAKE AREA CAMERON PARISH, LOUISIANA

APPLICATION BY: E. TAL MCCAIN, 864 HWY 384, LAKE CHARLES, LA 70630
DATE: 08/07/2014

DRAWN BY: C.L.W.

SITE PLAN



LGH PROJECT NUMBER: 2014-33

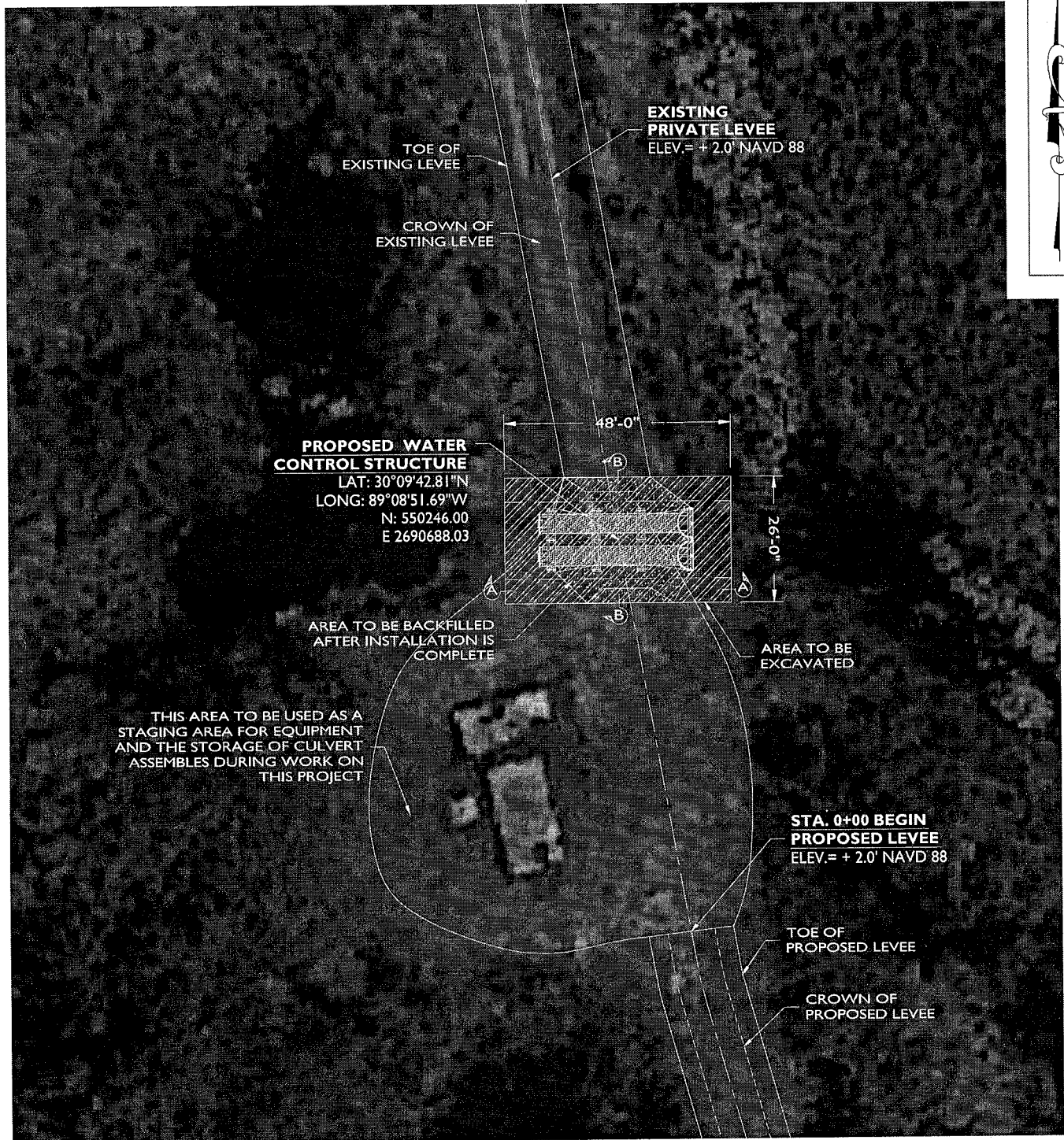
NOTE: THESE DRAWINGS ARE TO BE USED EXCLUSIVELY FOR ACQUISITION OF REGULATORY PERMITS.

REVISED:

CAMERON PARISH, LOUISIANA

SECTION 17, 16, 20, & 21 T.12S.,R.8W

SHEET 04 OF 08



PREPARED BY:



LONNIE G. HARPER & ASSOCIATES, INC.

2746 HWY. NO. 384 BELL CITY, LOUISIANA 70643
PHONE: (337) 905-1079 FAX: (337) 905-1076

PROPOSED LEVELLE CONSTRUCTION IN THE GRAND LAKE AREA CAMERON PARISH, LOUISIANA

APPLICATION BY: E. TAL MCCAIN, 864 HWY 384, LAKE CHARLES, LA 70630
DATE: 08/07/2014

DRAWN BY: C.L.W.

DETAIL "A"



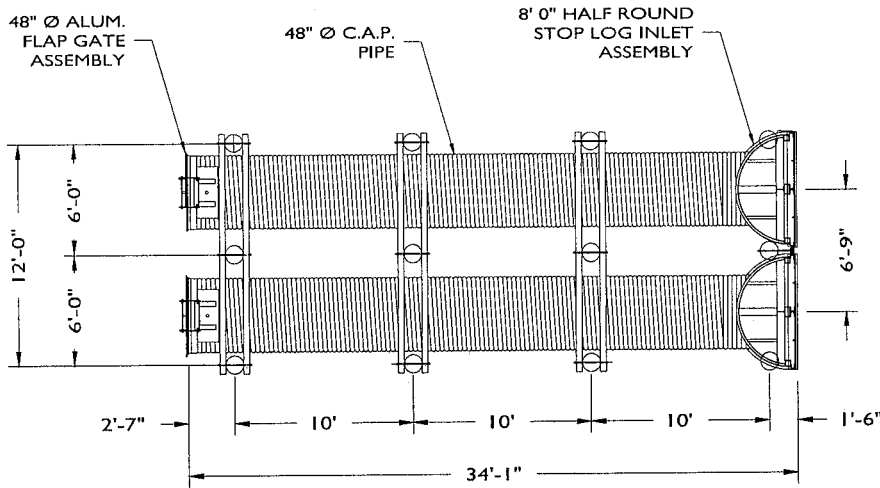
LGH PROJECT NUMBER: 2014-33

NOTE: THESE DRAWINGS ARE TO BE USED EXCLUSIVELY FOR ACQUISITION OF REGULATORY PERMITS.

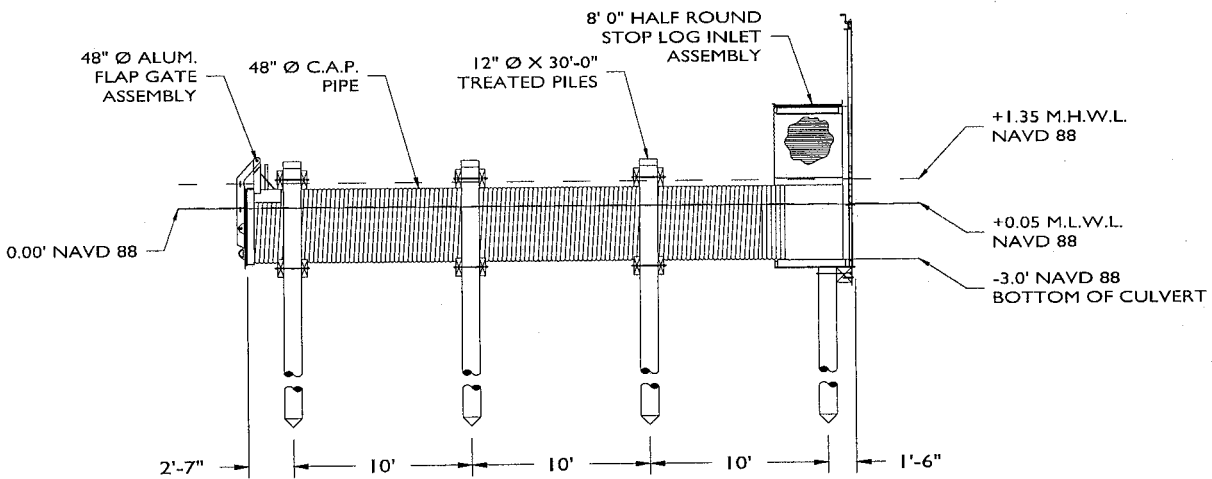
REVISED:

**CAMERON PARISH, LOUISIANA
SECTION 17, 16, 20, & 21 T.12S.,R.8W**

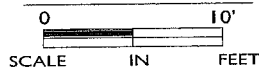
SHEET 05 OF 08



DETAIL "A"



SECTION "A"-"A"



PREPARED BY:



**LONNIE G. HARPER
& ASSOCIATES, INC.**

3746 HWY. NO. 384 BELL CITY, LOUISIANA 70643
PHONE: (337) 905-1079 FAX: (337) 905-1076

**PROPOSED LEVEE
CONSTRUCTION IN THE
GRAND LAKE AREA
CAMERON PARISH, LOUISIANA**

APPLICATION BY: E. TAL MCCAIN, 864 HWY 384, LAKE CHARLES, LA 70630
DATE: 08/07/2014

DRAWN BY: C.L.W.

DETAIL & SECTION



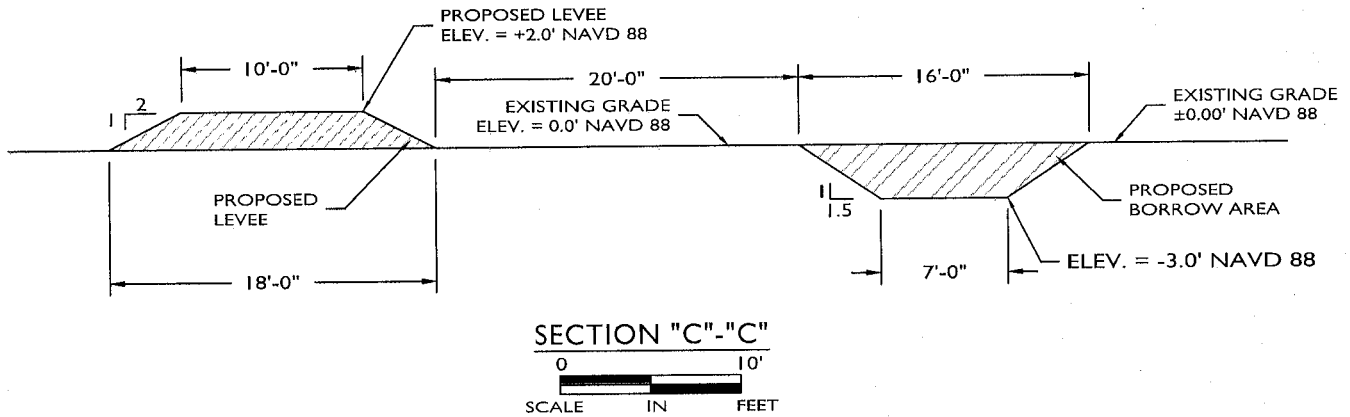
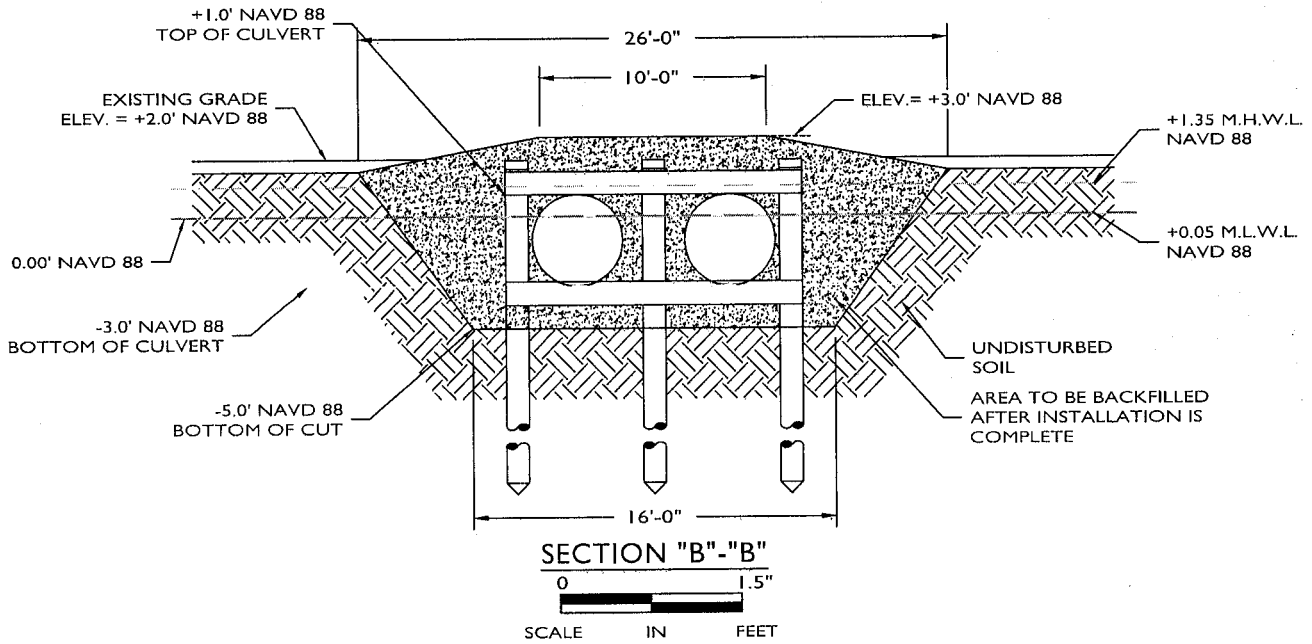
LGH PROJECT NUMBER: 2014-33

NOTE: THESE DRAWINGS ARE TO BE USED EXCLUSIVELY FOR ACQUISITION OF REGULATORY PERMITS.

REVISED:

CAMERON PARISH, LOUISIANA
SECTION 17, 16, 20, & 21 T.12S.,R.8W

SHEET 06 OF 08



GENERAL NOTES:

1. THIS PROJECT CONSISTS OF CONSTRUCTING APPROXIMATELY 4,573 LINEAR FEET OF EARTHEN LEVEE WITHIN AND EXISTING FRESHWATER MARSH TO PREVENT VEGETATION LOSS DUE TO SALTWATER INTRUSION EXPERIENCED DURING HIGH WATER LEVELS IN THE INTRACOASTAL WATERWAY.
2. ESTIMATED VOLUME OF IN-PLACE FILL REQUIRED TO CONSTRUCT THE LEVEE IS 4,742 CUBIC YARDS. THIS DOES NOT ACCOUNT FOR COMPACTION. BORROW AREA IS APPROXIMATELY 25% LARGER THAN THE PROPOSED LEVEE DUE TO THE EXPECTED SETTLEMENT/CONSOLIDATION OF THE NATIVE MATERIAL.
3. THE IMPACTED SURFACE AREA OF THIS PROJECT IS 3.6 ACRES.
4. IN ORDER TO INSURE THE SAFETY OF ALL PARTIES INVOLVED, THE PERMITTEE OR ITS AGENTS WILL CONTACT THE LOUISIANA DOTTIE SYSTEM (1-800-272-3020) A MINIMUM OF TWO (2) DAYS PRIOR TO THE COMMENCEMENT OF ANY ACTIVITY.
5. THE PROPOSED WATER CONTROL STRUCTURE IS INTENDED TO ALLOW DRAINAGE TO CONTINUE FROM NORTH TO SOUTH THROUGH THE PROPERTY. STOP LOGS SHALL BE SET AT MARSH ELEVATION TO MAINTAIN THE APPROPRIATE WATER LEVELS WITHIN THE FRESH WATER MARSH.

PREPARED BY:



LONNIE G. HARPER & ASSOCIATES, INC.

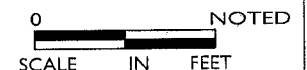
2746 HWY. NO. 384 BELL CITY, LOUISIANA 70643
PHONE: (337) 905-1079 FAX: (337) 905-1076

**PROPOSED LEVEE
CONSTRUCTION IN THE
GRAND LAKE AREA
CAMERON PARISH, LOUISIANA**

APPLICATION BY: E. TAL MCCAIN, 864 HWY 384, LAKE CHARLES, LA 70630
DATE: 08/07/2014

DRAWN BY: C.L.W.

DETAIL & SECTION



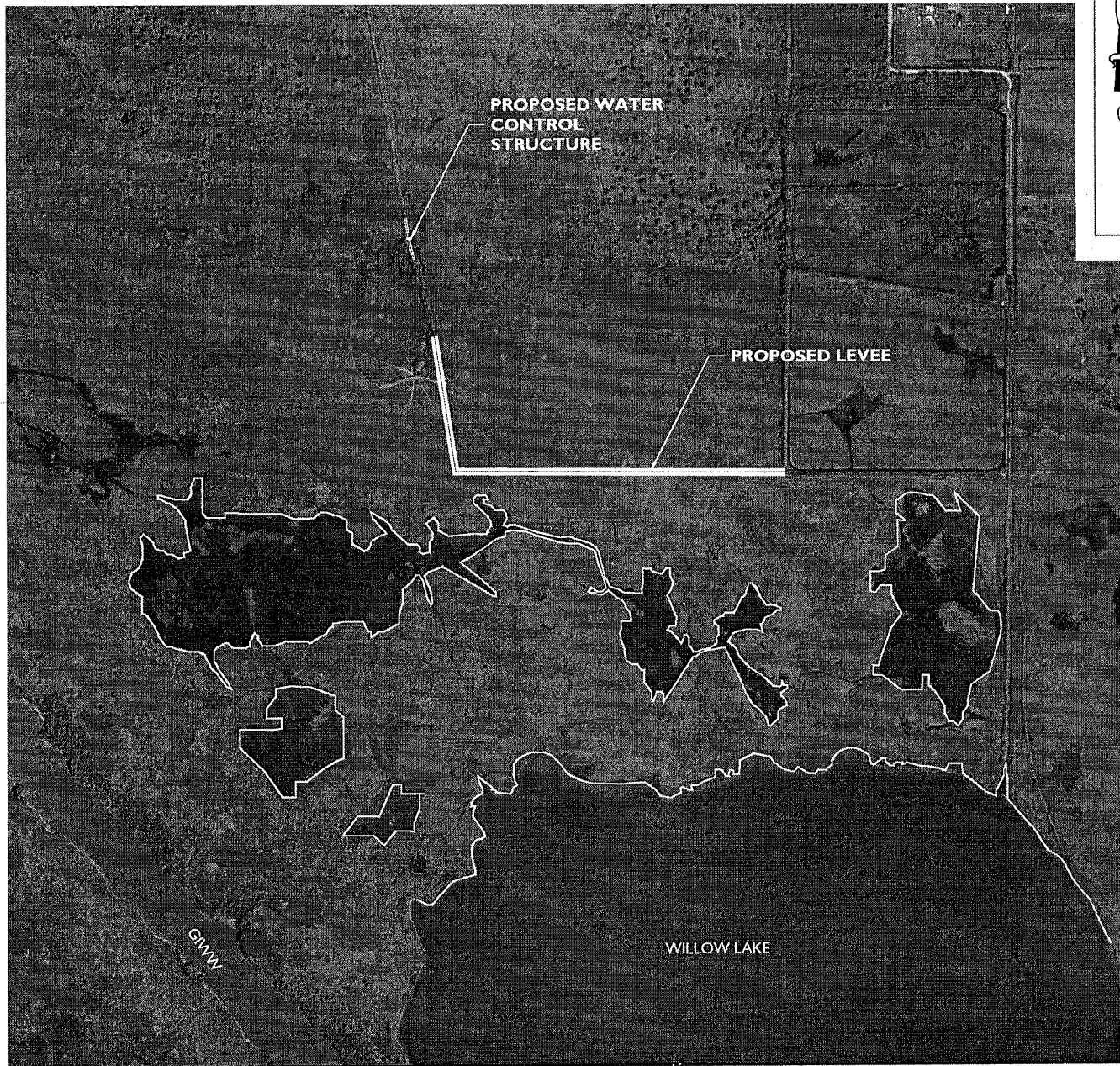
LGH PROJECT NUMBER: 2014-33

NOTE: THESE DRAWINGS ARE TO BE USED EXCLUSIVELY FOR ACQUISITION OF REGULATORY PERMITS.

REVISED:

CAMERON PARISH, LOUISIANA
SECTION 17, 16, 20, & 21 T.12S.,R.8W

SHEET 07 OF 08



ALL LINES SHOWN ABOVE DEPICT THE APPROXIMATE BANK LINE / VEGETATION LINES IN THE AREA IN THE YEAR 2003.

PREPARED BY:



LONNIE G. HARPER
& ASSOCIATES, INC.

2746 HWY. NO. 384 BELL CITY, LOUISIANA 70643
PHONE: (337) 905-1079 FAX: (337) 905-1076

PROPOSED LEVEE
CONSTRUCTION IN THE
GRAND LAKE AREA
CAMERON PARISH, LOUISIANA

APPLICATION BY: E. TAL MCCAIN, 864 HWY 384, LAKE CHARLES, LA 70630
DATE: 08/07/2014

DRAWN BY: C.L.W.

2003 AERIAL IMAGE



LGH PROJECT NUMBER: 2014-33

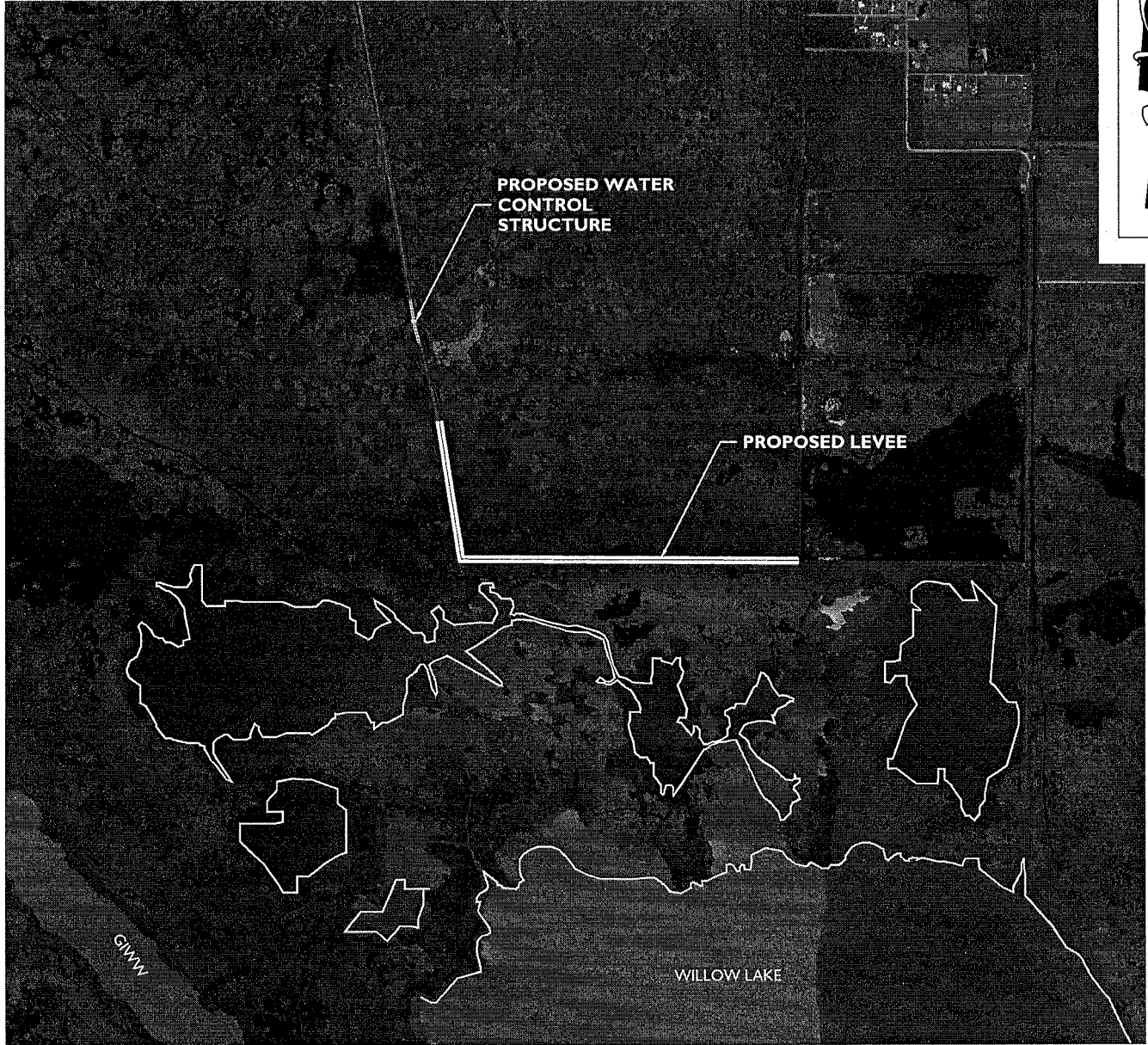
NOTE: THESE DRAWINGS ARE TO BE USED EXCLUSIVELY FOR ACQUISITION OF REGULATORY PERMITS.

REVISED:

CAMERON PARISH, LOUISIANA

SECTION 17, 16, 20, & 21 T.12S.,R.8W

SHEET 08 OF 08



1. ALL LINES SHOWN ABOVE DEPICT THE APPROXIMATE BANK LINES / VEGETATION LINES IN THE AREA IN THE YEAR 2003 OVERLAIN A CURRENT AERIAL IMAGE FROM THE YEAR 2013. THIS REPRESENTS THE AMOUNT OF VEGETATION LOSS IN THE PROJECT AREA AS A RESULT OF INCREASED SALINITY LEVELS AND AN INCREASE IN THE FREQUENCY AND DURATION OF HIGH WATER LEVELS IN THE PROJECT AREA.
2. THE APPLICANT REQUESTS THIS PERMIT TO PREVENT THE MARSH NORTH OF THE PROPOSED LEVEE FROM CONVERTING INTO A BRACKISH MARSH AND/OR AN OPEN WATER LAKES AS A RESULT OF SALTWATER INTRUSION AND SUBSIDENCE.

PREPARED BY:



**LONNIE G. HARPER
& ASSOCIATES, INC.**

2746 HWY. NO. 384 BELL CITY, LOUISIANA 70643
PHONE: (337) 905-1079 FAX: (337) 905-1076

PROPOSED LEVEE CONSTRUCTION IN THE GRAND LAKE AREA CAMERON PARISH, LOUISIANA

APPLICATION BY: E. TAL MCCAIN, 864 HWY 384, LAKE CHARLES, LA 70630
DATE: 08/07/2014

DRAWN BY: C.L.W.

2013 AERIAL IMAGE



LGH PROJECT NUMBER: 2014-33