

JOINT PUBLIC NOTICE

September 16, 2013

United States Army
Corps of Engineers
New Orleans District
Regulatory Branch
Post Office Box 60267
New Orleans, La. 70160-0267

(504) 862-2224 FAX (504) 862-2574
Project Manager
Bobby Quebedeaux
Permit Application Number
MVN-2010-1262-WJJ

State of Louisiana
Department of Environmental Quality
Post Office Box 4313
Baton Rouge, LA 70821-4313

(225) 219- 3225 FAX (225) 325-8250
Project Manager
Jamie Phillippe
Application Number
WQC 10-0610-02

Interested parties are hereby notified that a permit application has been received by the New Orleans District of the U.S. Army Corps of Engineers pursuant to: [X] Section 10 of the Rivers and Harbors Act of March 3, 1899 (30 Stat. 1151; 33 USC 403); and/or [X] Section 404 of the Clean Water Act (86 Stat. 816; 33 USC 1344).

Application has also been made to the Louisiana Department of Environmental Quality for a Water Quality Certification (WQC) in accordance with statutory authority contained in LRS 30:2074 A(3) and provisions of Section 401 of the Clean Water Act.

Construct Waterway Plugs, Gates and Install Culverts in Lafourche Parish

NAME OF APPLICANT: Lorise Naquin, P.O. Box 513, Larose, Louisiana 70373

LOCATION OF WORK: Larose, Louisiana, in Lafourche Parish (29.53025, -90.40325, Bayou Lafourche Watershed, HUC: 08090301), as shown in the attached drawings dated July 30, 2013.

CHARACTER OF WORK: Construct an earthen plug and install culverts with flap gates and a water control structure at Dresser Canal and Grand Bayou Canal. Project as proposed would impact approximately 0.05 acres of "waters of the U.S." and no wetlands.

The comment period for the Department of the Army Permit and the Louisiana Department of Environmental Quality WQC will close **20 days** from the date of this joint public notice. Written comments, including suggestions for modifications or objections to the proposed work, stating reasons thereof, are being solicited from anyone having interest in this permit and/or this WQC request and must be mailed, so as to be received before or by the last day of the comment period. Letters concerning the Corps of Engineers permit application must reference the applicant's name and the Permit Application Number, and be mailed to the Corps of Engineers at the address above, **ATTENTION: REGULATORY BRANCH**. **Individuals or parties may request an extension of time in which to comment on the proposed work by writing to the project manager or clicking on the project manager's name on the public notice grid on the web page. Any request must be specific and substantively supportive of the requested extension and received by this office prior to the end of the initial comment period. The Section Chief will review the request and the requestor will be promptly notified of the decision to grant or deny the request. If granted, the time extension will be continuous to the initial comment period and, inclusive of the initial comment period, will not exceed a total of 30 calendar days.** Similar letters concerning the Water Quality Certification must reference the applicant's name and the WQC Application number and be mailed to the Louisiana Department of Environmental Quality at the address above.

The application for this proposed project is on file with the Louisiana Department of Environmental Quality and may be examined weekdays between 8:00 a.m. and 4:30 p.m. Copies may be obtained upon payment of costs of reproduction.

Corps of Engineers Permit Criteria

The decision whether to issue a permit will be based on an evaluation of the probable impacts, including cumulative impacts of the proposed activity on the public interest. That decision will reflect the national concern for both protection and utilization of important resources. The benefit, which reasonably may be expected to accrue from the proposal, must be balanced against its reasonably foreseeable detriments. All factors which may be relevant to the proposal will be considered including the cumulative effects thereof; among those are conservation, economics, aesthetics, general environmental concerns, wetlands, historic properties, fish and wildlife values, flood hazards, floodplain values, land use, navigation, shoreline erosion and accretion, recreation, water supply and conservation, water quality, energy needs, safety, food and fiber production, mineral needs, considerations of property ownership and, in general, the needs and welfare of the people.

The U.S. Army Corps of Engineers is soliciting comments from the public, federal, state, and local agencies and officials, Indian Tribes, and other interested parties in order to consider and evaluate the impacts of this proposed activity. Any comments received will be considered by the U.S. Army Corps of Engineers to determine whether to make, modify, condition, or deny a permit for this proposal. To make this decision, comments are used to assess impacts on endangered species, historic properties, water quality, general environmental effects, and other public interest factors listed above. Comments are used in the preparation of an Environmental Assessment and/or an Environmental Impact Statement pursuant to the National Environmental Policy Act. Comments are also used to determine the need for a public hearing and to determine the overall public interest of the proposed activity.

No properties listed on the National Register of Historic Places are near the proposed work. The possibility exists that the proposed work may damage or destroy presently unknown archeological, scientific, prehistorical, historical sites, or data. Copies of this notice are being sent to the State Archeologist and the State Historic Preservation Officer.

Our initial finding is that the proposed work would neither affect any species listed as endangered by the U.S. Departments of Interior or Commerce, nor affect any habitat designated as critical to the survival and recovery of any endangered species.

This notice initiates the Essential Fish Habitat (EFH) consultation requirements of the Magnuson-Stevens Fishery Conservation and Management Act. The applicant's proposal would result in the destruction or alteration of **0.05 acre(s)** of EFH utilized by various life stages of red drum and penaeid shrimp. Our initial determination is that the proposed action would not have a substantial adverse impact on EFH or federally managed fisheries in the Gulf of Mexico. Our final determination relative to project impacts and the need for mitigation measures is subject to review by and coordination with the National Marine Fisheries Service.

If the proposed work involves deposits of dredged or fill material into navigable waters, the evaluation of the probable impacts will include the application of guidelines established by the Administrator of the Environmental Protection Agency. Also, a certification that the proposed activity will not violate water quality standards will be required from the Department of Environmental Quality before a permit is issued.

The applicant has certified that the proposed activity described in the application complies with and will be conducted in a manner that is consistent with the Louisiana Coastal Resources Program. The Department of the Army permit will not be issued unless the applicant received approval or a waiver of the Coastal Use Permit by the Department of Natural Resources.

Any person may request, in writing, within the comment period specified in this notice, that a public hearing be held to consider this application. Requests for public hearings shall state, with particularity, the reasons for holding a public hearing.

You are requested to communicate the information contained in this notice to any other parties whom you deem likely to have interest in the matter.

Darrell S. Barbara
Chief, Western Evaluation Section
Regulatory Branch

Enclosure



STATE VICINITY MAP
NO SCALE

LORISE NAQUIN

PROPOSED: EARTHEN PLUG, CULVERTS W/FLAP GATES AND WATER CONTROL STRUCTURE
AT DRESSER CANAL AND GRAND BAYOU CANAL

APPLIED BY: LORISE NAQUIN

AREA: NEAR LAROSE, LA.



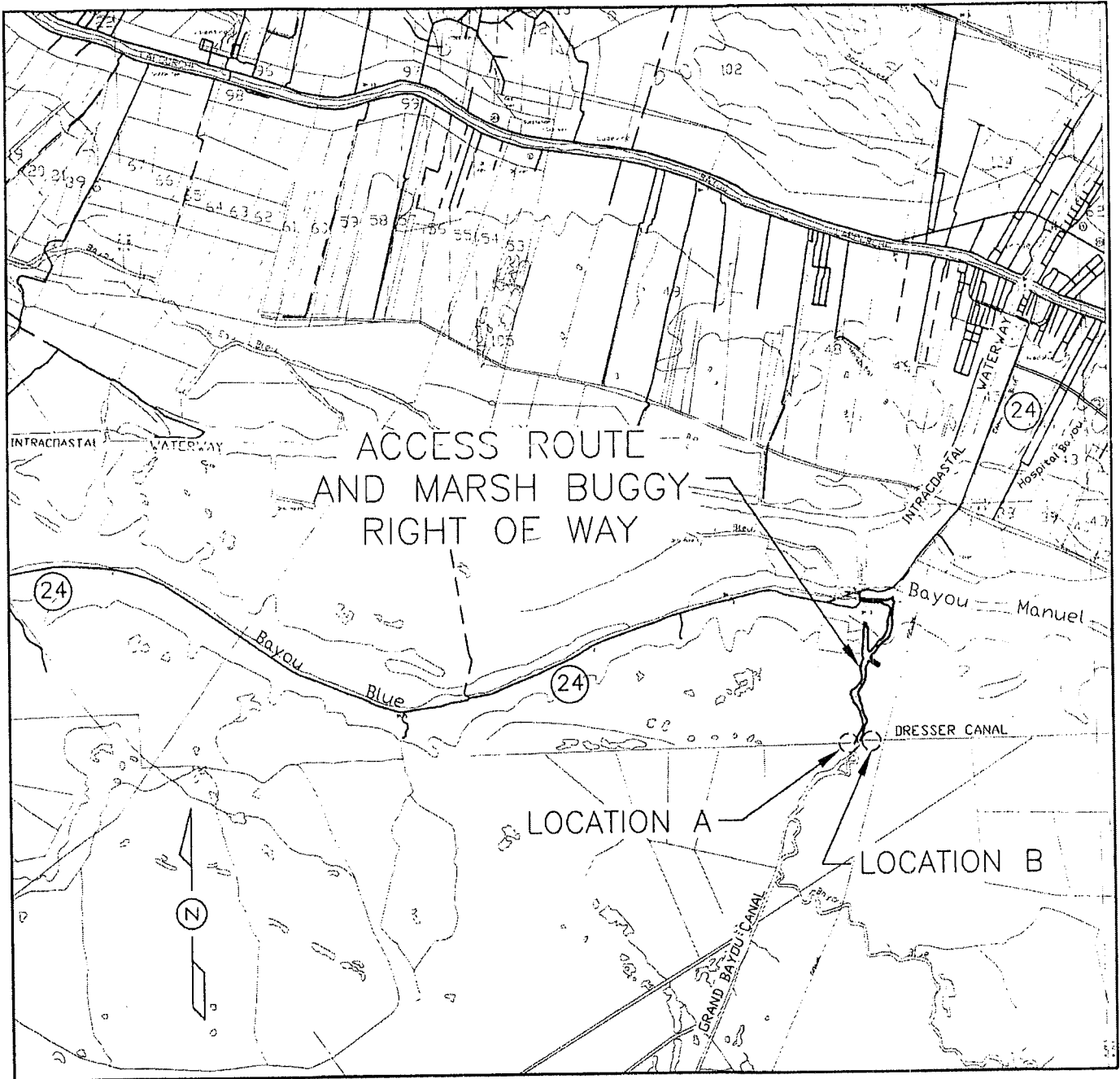
PICCIOLA & ASSOCIATES, INC.
CIVIL ENGINEERS N.A.A. ARCHITECTS
LAND SURVEYORS MARINE ENGINEERS

P.O. BOX 687
CUT OFF, LOUISIANA 70345
(985) 832-5786

J.N. 0209-1001

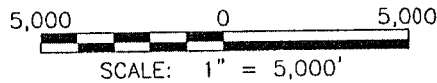
DATE: 7-30-2013

SHEET 1 OF 6



LAROSE, LA
QUAD.

LOCAL VICINITY MAP



LOCATION A: LAT.=29°31'48.99931"N
LONG.=90°24'13.85489"W
LOCATION B: LAT.=29°31'48.85"N
LONG.=90°24'05.72"W

WORK TO BE PERFORMED: EARTHEN PLUG, CULVERTS W/FLAP GATES AND WATER CONTROL
STRUCTURE AT DRESSER CANAL AND GRAND BAYOU CANAL

APPLIED BY: LORISE NAQUIN

AREA: NEAR LAROSE, LA. IN LAFOURCHE PARISH

PROJECT LOCATED IN SECTION 11, T-18-S, R-20-E

NOTE: MARSH BUGGY RIGHT OF WAY
4,960' x 230' x 2.5'



PICCIOLA & ASSOCIATES, INC.

CIVIL ENGINEERS
LAND SURVEYORS

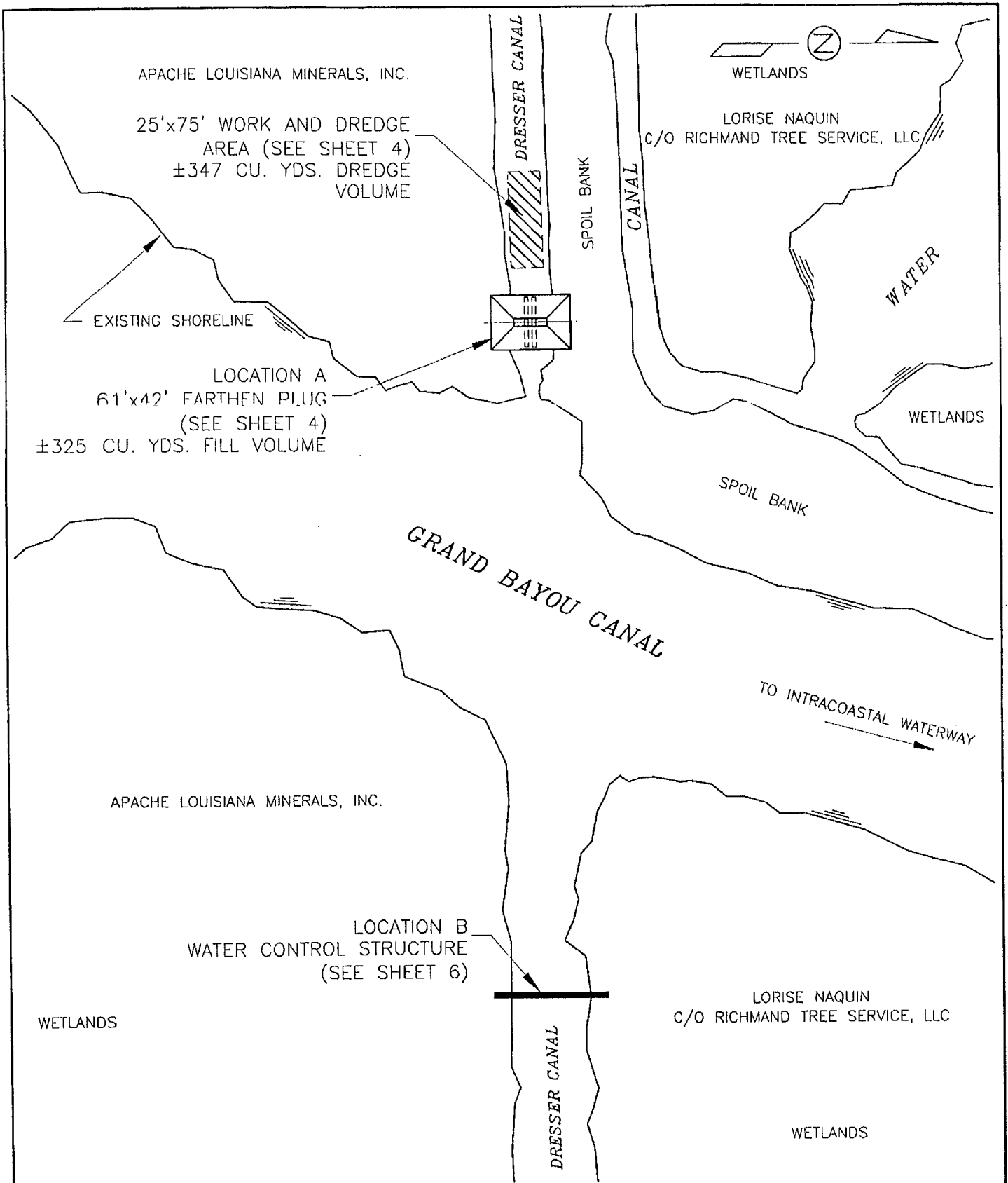
NAVAL ARCHITECTS
MARINE ENGINEERS

P.O. BOX 687
CUT OFF, LOUISIANA 70345
(985) 632-5766

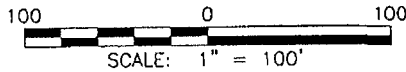
J.N. 0209-1001

DATE: 7-30-2013

SHEET 2 OF 6



PLAN VIEW - PLUG AND WATER CONTROL STRUCTURE SITES



PICCIOLA & ASSOCIATES, INC.

CIVIL ENGINEERS LAND SURVEYORS
 NAVAL ARCHITECTS MARINE ENGINEERS

P.O. BOX 687
 CUT OFF, LOUISIANA 70345
 (985) 632-5786

J.N. 0209-1001

DATE: 7-30-2013

SHEET 3 OF 6



PICCIOLA & ASSOCIATES, INC.

CIVIL ENGINEERS
LAND SURVEYORS

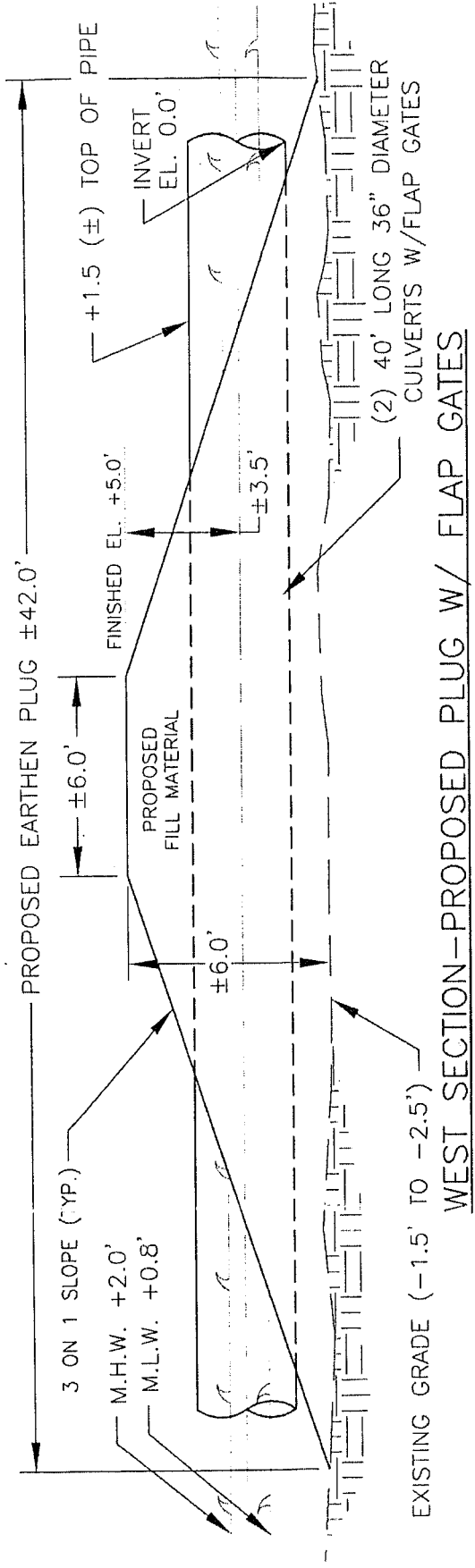
NAVAL ARCHITECTS
MARINE ENGINEERS

P.O. BOX 687
CUI OFF, LOUISIANA 70345
(985) 632-5766

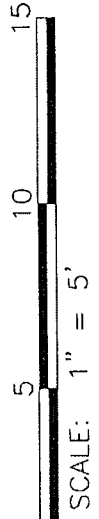
J.N. 0209-1001

DATE: 7-30-2013

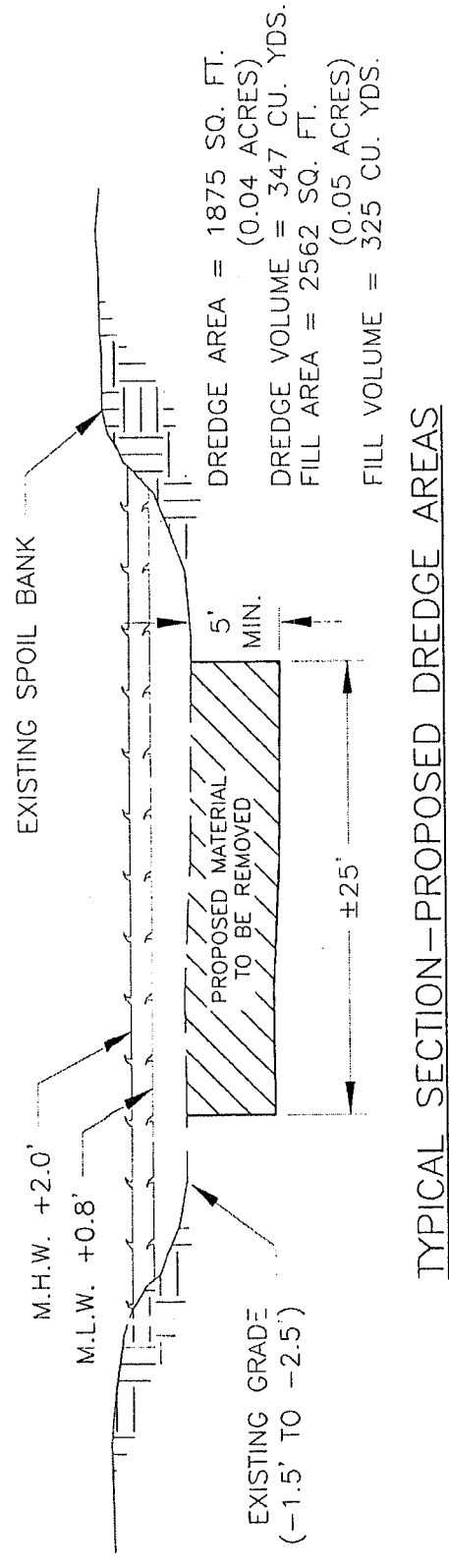
SHEET 4 OF 6



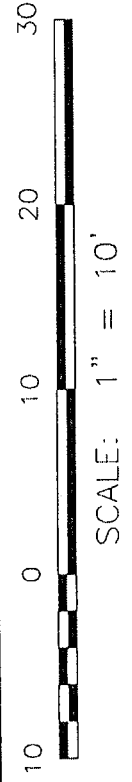
WEST SECTION-PROPOSED PLUG W/ FLAP GATES

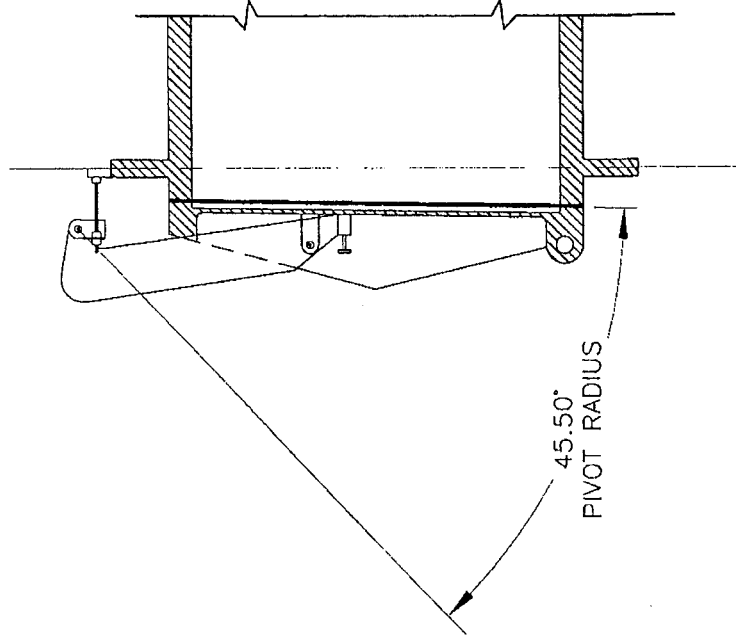


FLAP GATES SHALL BE LOCATED ON GRAND BAYOU CANAL SIDE



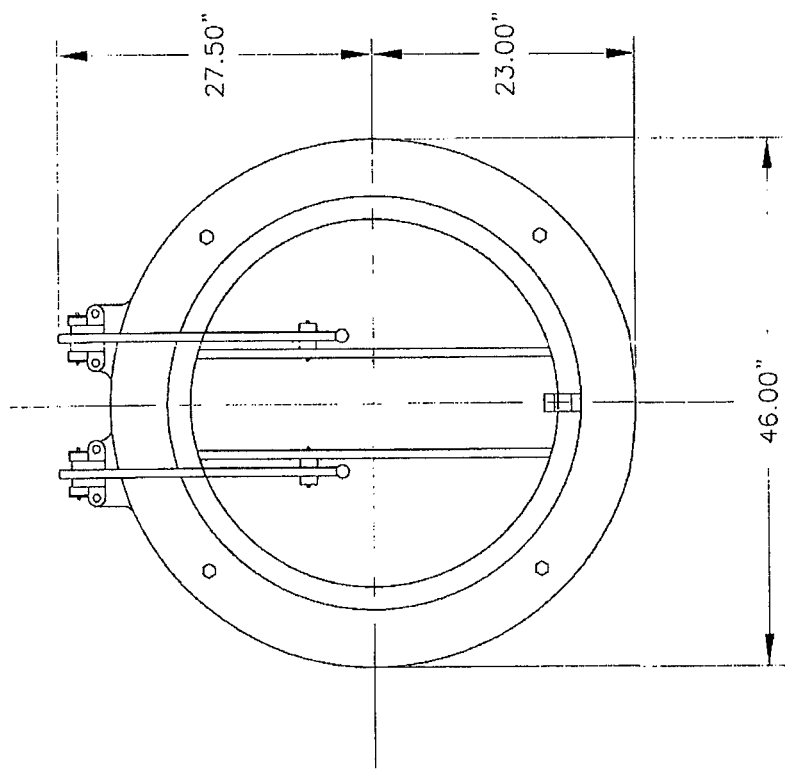
TYPICAL SECTION-PROPOSED DREDGE AREAS





NOTES:

1. SPECIFICATIONS TYPICAL OF HYDROGATE MODEL 50C ROUND OPENING FOR HEADS TO 50 FT.
2. DURING FRESH WATER EVENTS FLAP GATE MAY BE PINNED OPEN.



36" FLAP GATE DETAILS (TYP.)

SCALE: 3/4" = 1'-0"

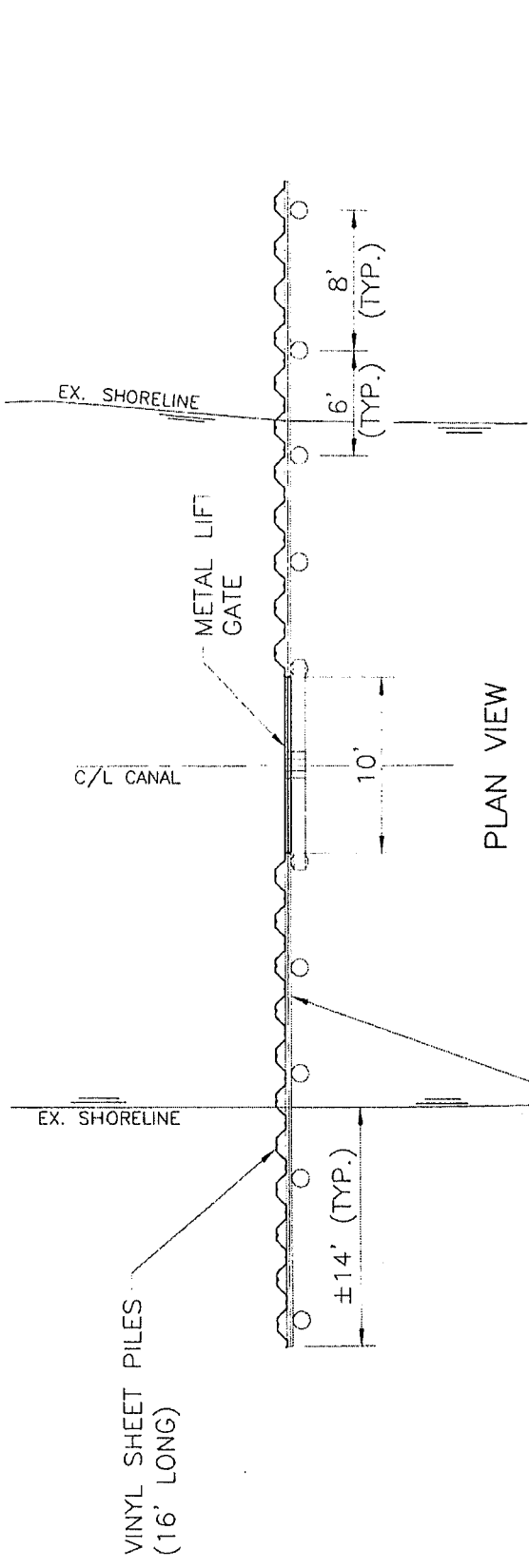


PICCIOLA & ASSOCIATES, INC.
 CIVIL ENGINEERS LAND SURVEYORS
 NAVAL ARCHITECTS MARINE ENGINEERS
 P.O. BOX 687
 CUT OFF, LOUISIANA 70345
 (985) 632-5786

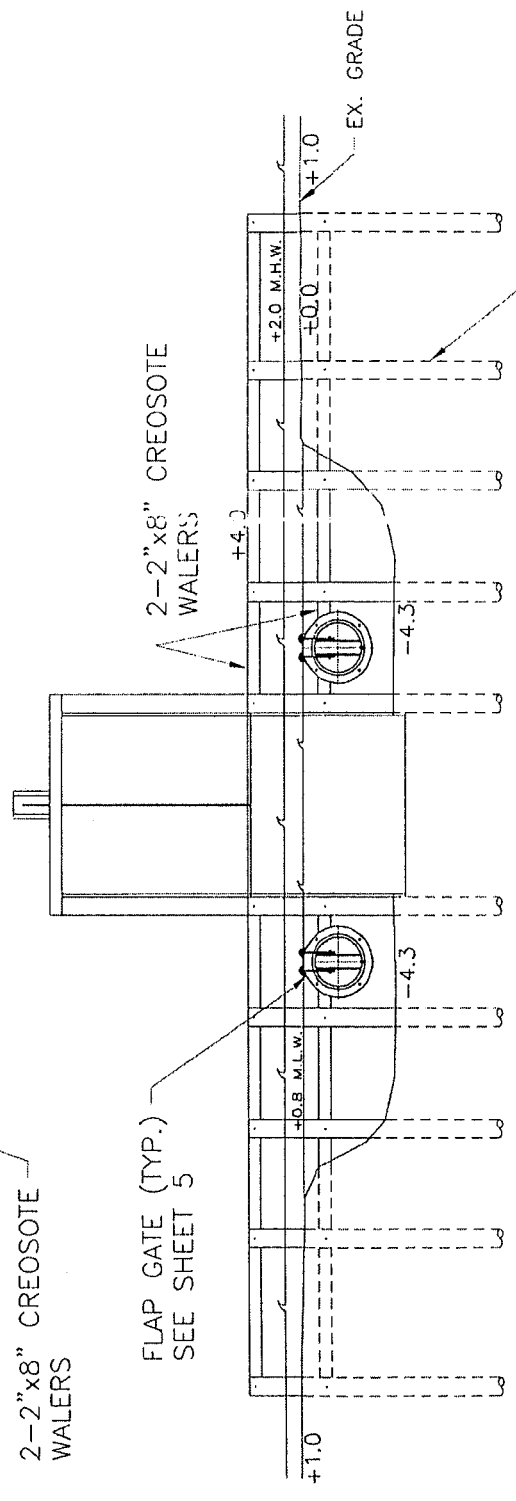
J.N. 0209-1001

DATE: 7-30-2013

SHEET 5 OF 6



PLAN VIEW



ELEVATION VIEW

- NOTES:**
1. VINYL SHEET PILE IS NOT SHOWN ON ELEVATION VIEW FOR CLARITY PURPOSES.
 2. DURING FRESH WATER EVENTS FLAP GATE MAY BE PINNED OPEN.

PROPOSED WATER CONTROL STRUCTURE

SCALE: 1"=10'



PICCIOLA & ASSOCIATES, INC.
 CIVIL ENGINEERS NAVAL ARCHITECTS
 LAND SURVEYORS MARINE ENGINEERS

P.O. BOX 687
 CUT OFF, LOUISIANA 70345
 (985) 632-5786

J.N. 0209-1001

DATE: 7-30-2013

SHEET 6 OF 6